

Francis
Cauffman
Foley
Hoffmann

Francis Cauffman
Foley Hoffmann
Architects Ltd.
2400 Barton St, Suite 402
Baltimore, MD 21224
410-732-3400

M/E/P ENGINEER
A/E/C ENGINEERS, LP
1500 WALNUT STREET, SUITE 1400
PHILADELPHIA, PA 19102
P 215-282-2154
F 215-735-6706

Revisions

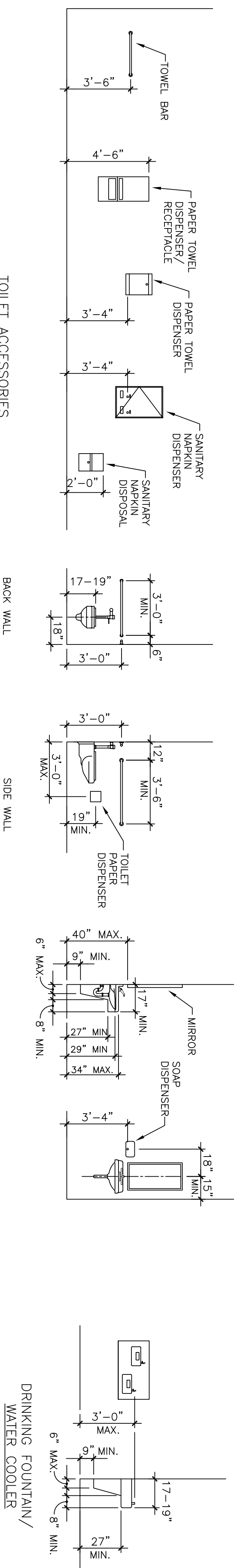
Sheet
**Toilet Room
Mounting Heights
and Elevations**

Project
Landmark Healthcare
Facilities LLC
Fore River Medical
Pavillion
Portland, Maine

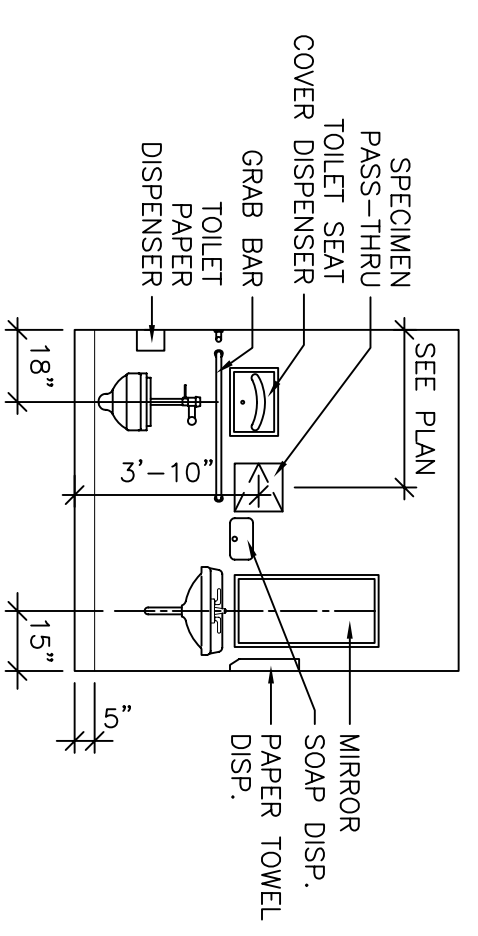
Date
August 23, 2007

Project No.
07-5198

Sheet No.
A7.2

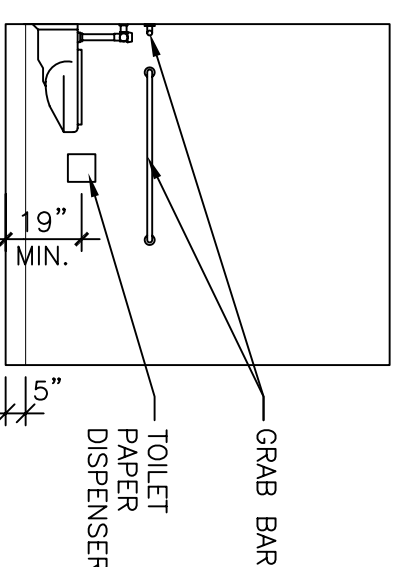


1
A7.2
1/4"=1'-0"

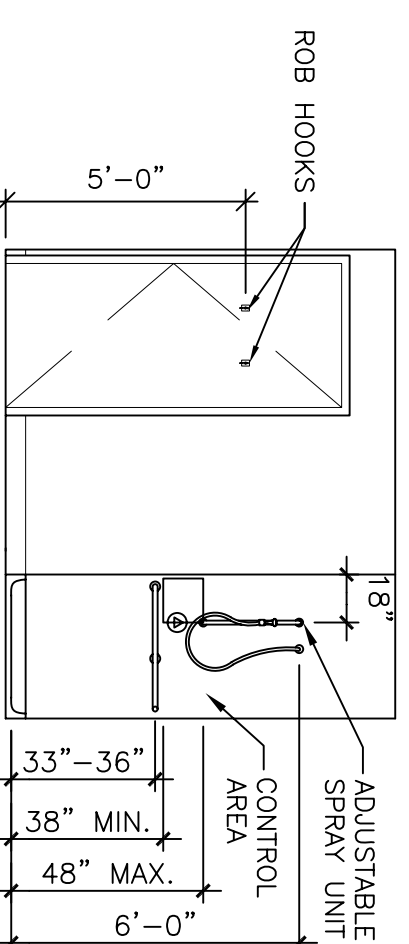


2
A7.2
1/4"=1'-0"

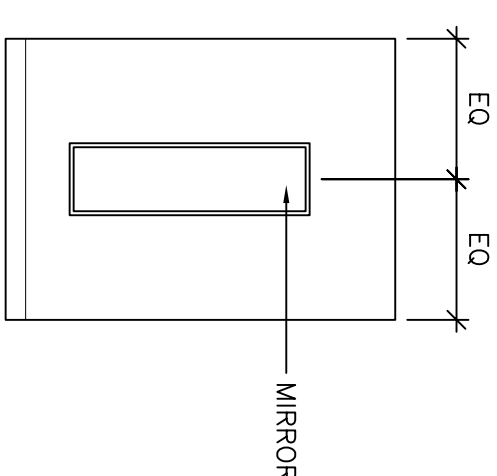
NOTE:
SPECIMEN PASS-THRU FOR TOILET DIMENSIONS FROM FLOOR PLAN TO LOCATE.



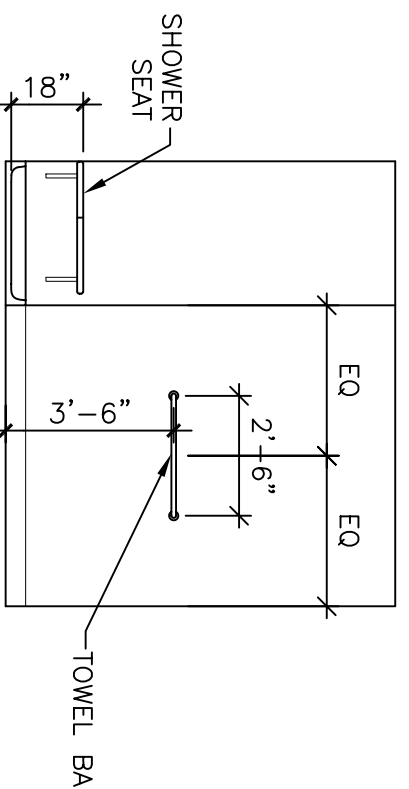
3
A7.2
1/4"=1'-0"



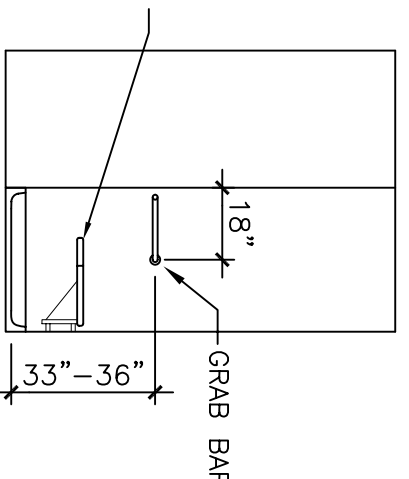
4
A7.2
1/4"=1'-0"



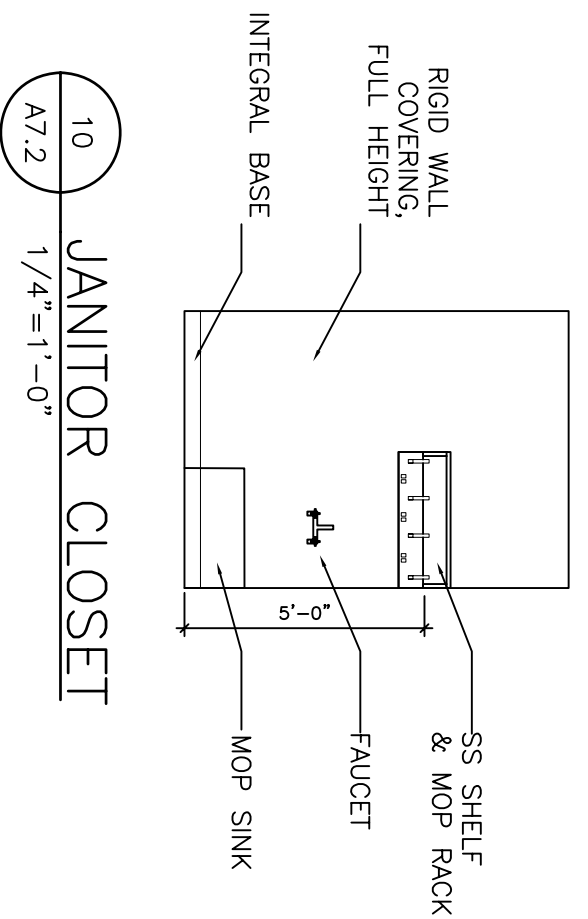
5
A7.2
1/4"=1'-0"



6
A7.2
1/4"=1'-0"



7
A7.2
1/4"=1'-0"



10
A7.2
1/4"=1'-0"

