

**LANDMARK
HEALTHCARE
FACILITIES, LLC**

839 North Jefferson Street
Milwaukee, Wisconsin 53202
Telephone: (414) 277-0500
Facsimile: (414) 277-1055

Francis

Cauffman

Foley

Hoffmann

Francis Cauffman 2400 Boston St., Suite 402
Foley Hoffmann Baltimore, MD 21224
Architects Ltd. 410-732-5400

M/E/P ENGINEER
A/E ENGINEERS, LLP SUITE 1400
PHILADELPHIA, PA 19102
P 215-382-2154
F 215-332-0750

Revisions

Sheet

Door Details

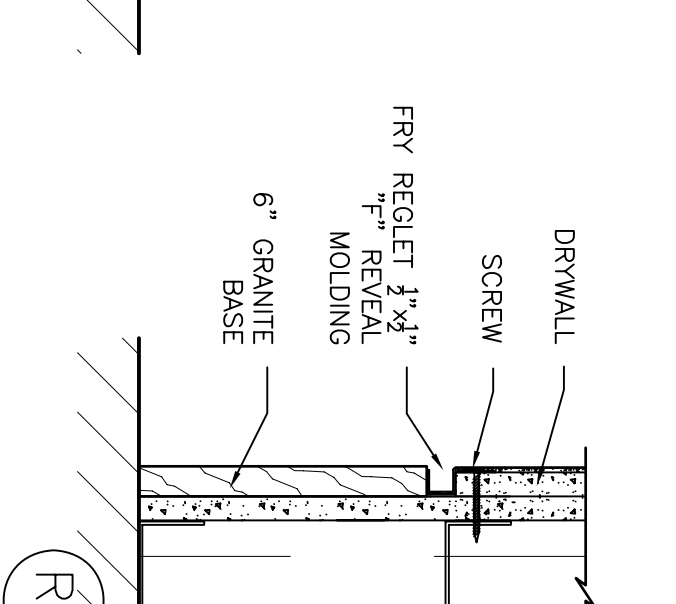
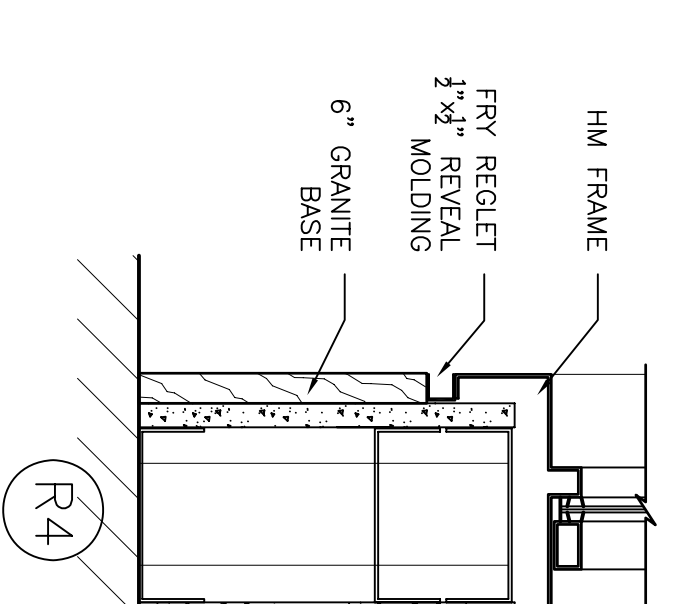
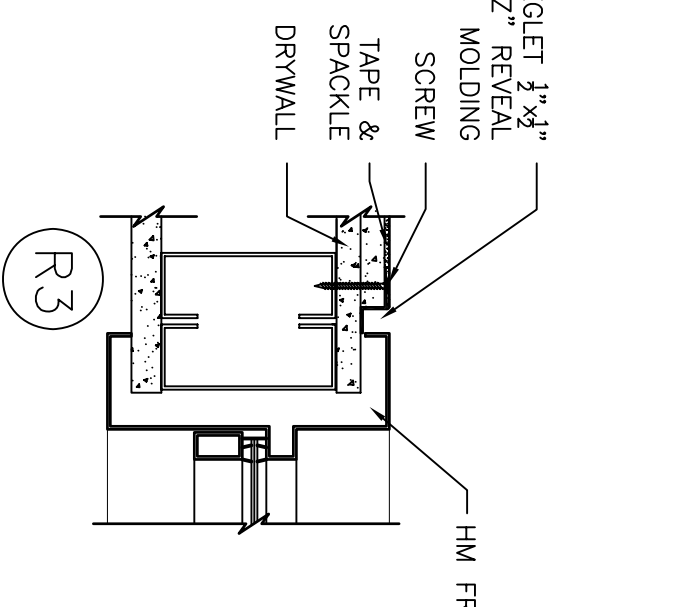
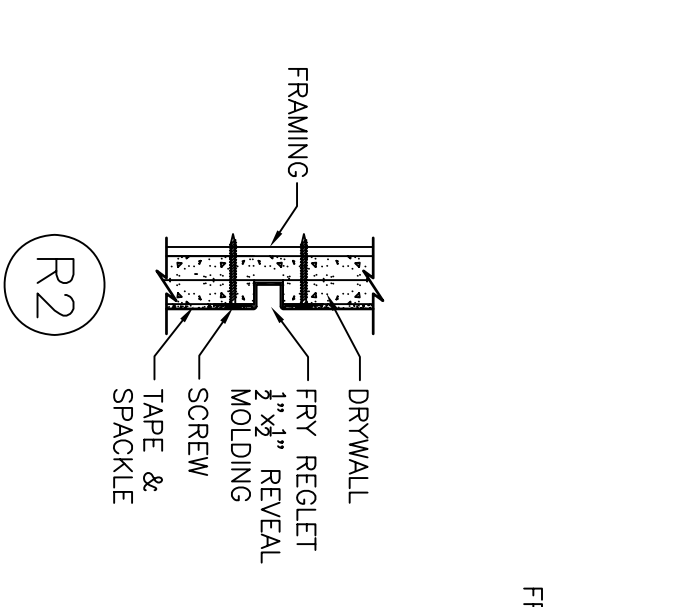
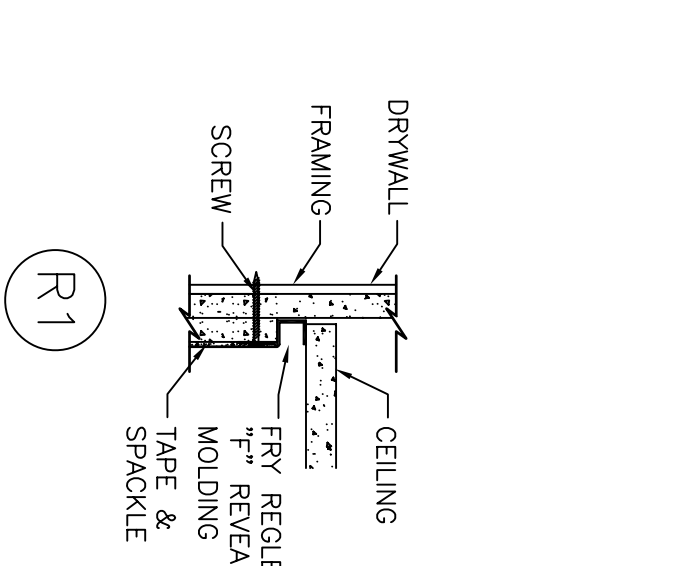
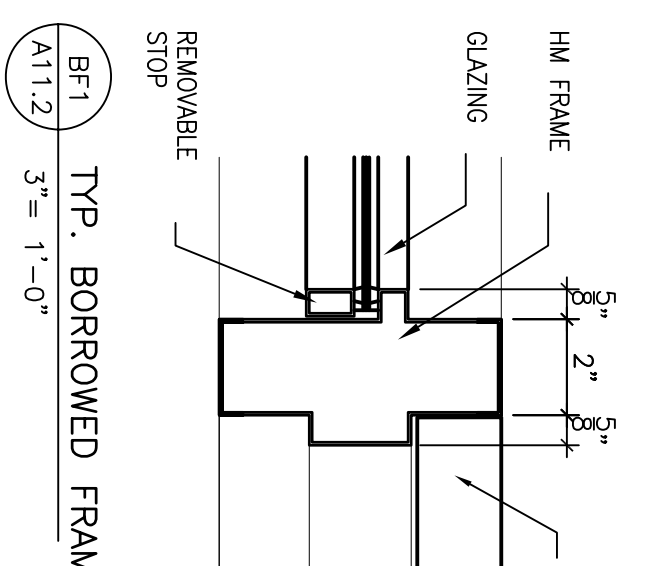
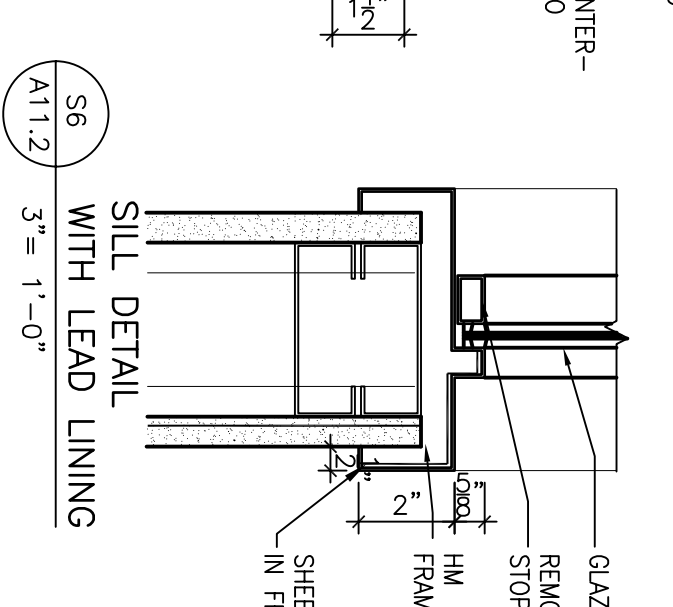
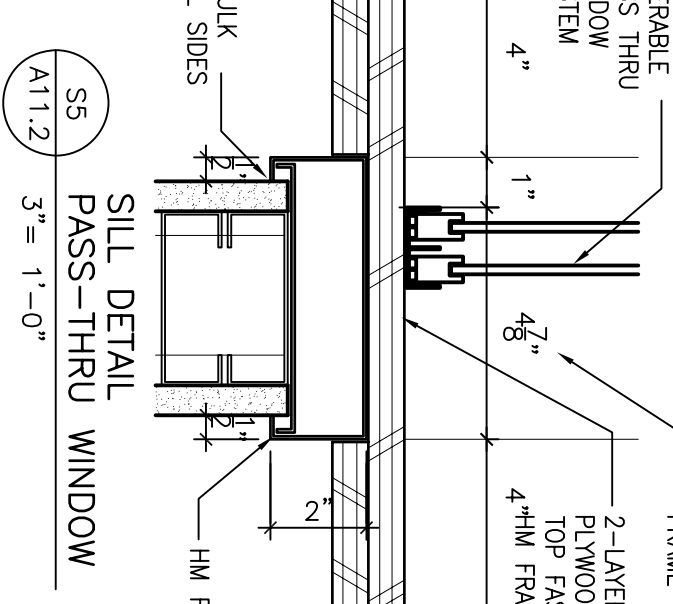
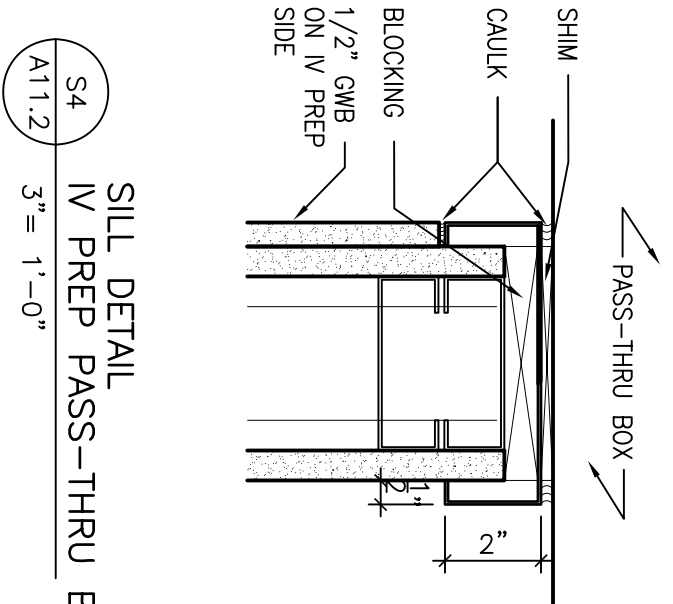
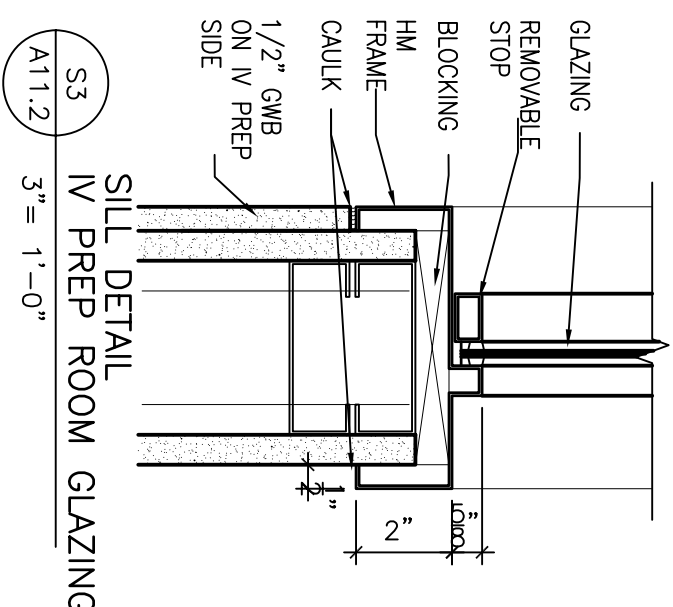
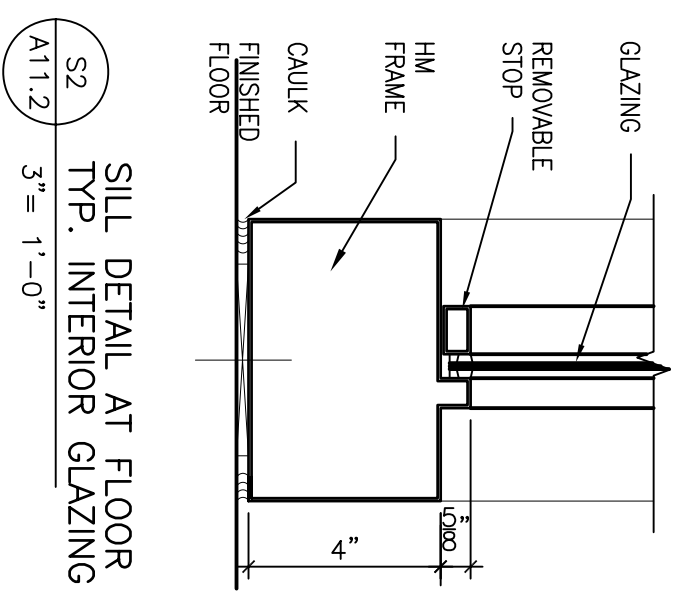
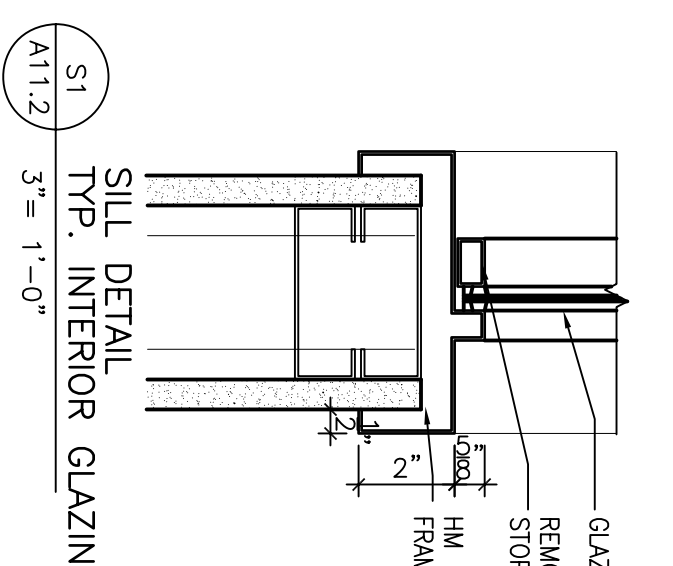
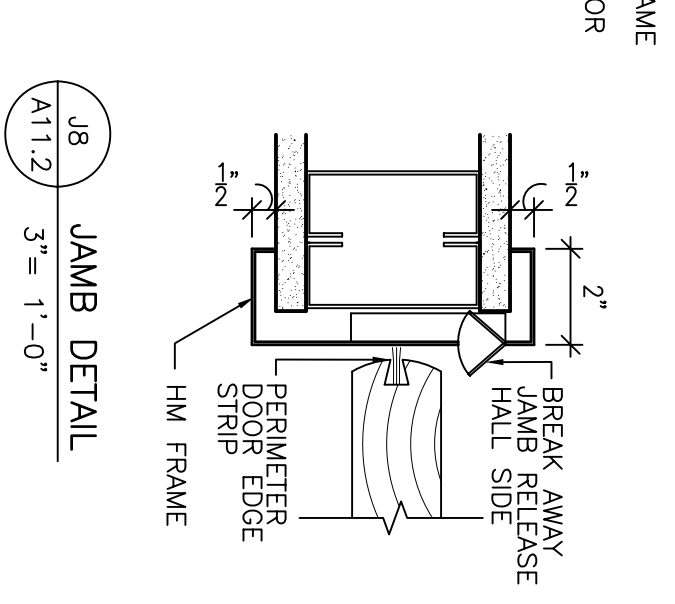
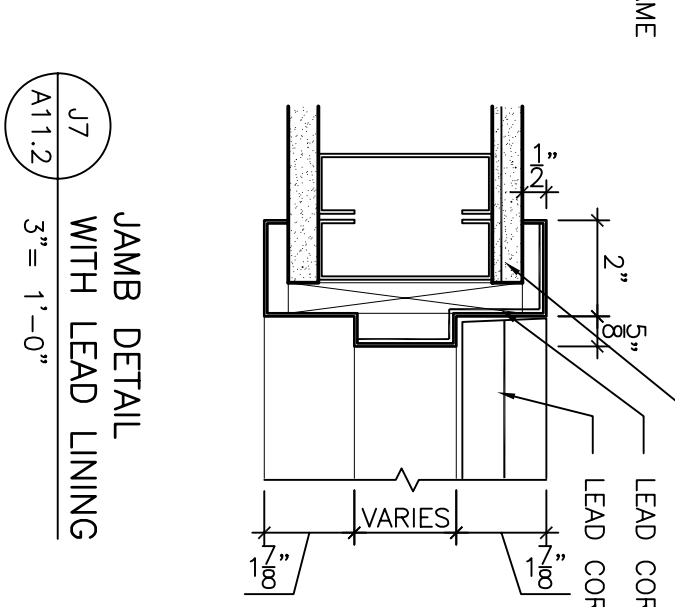
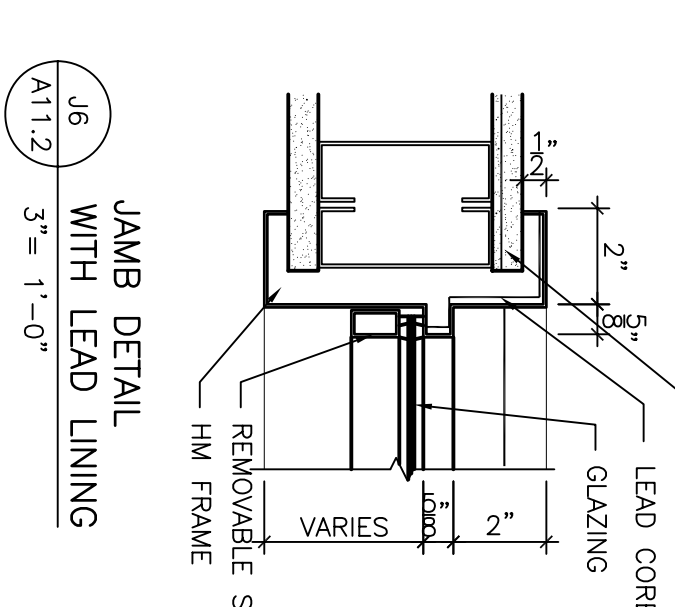
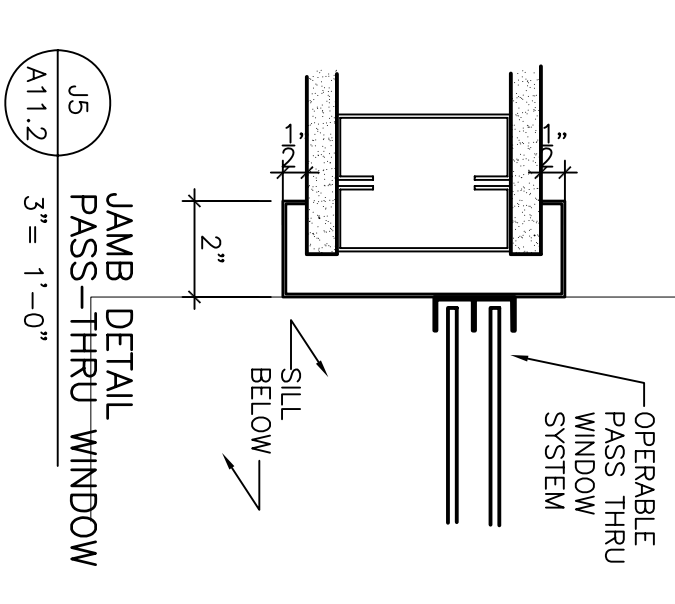
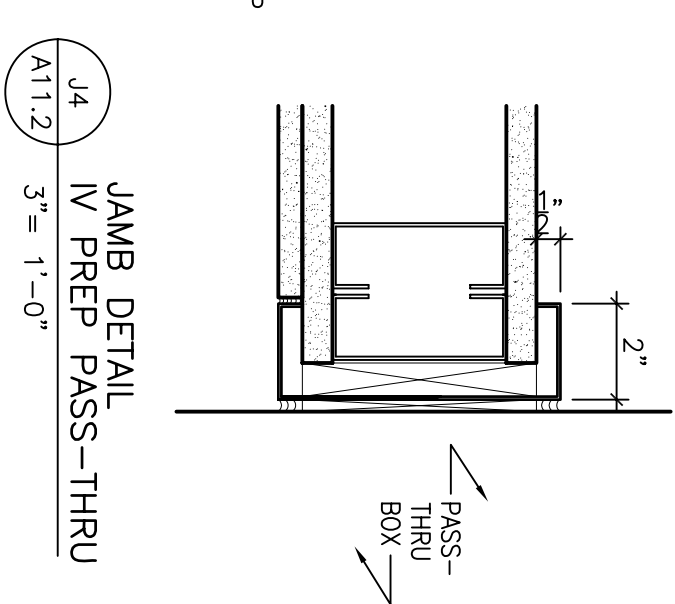
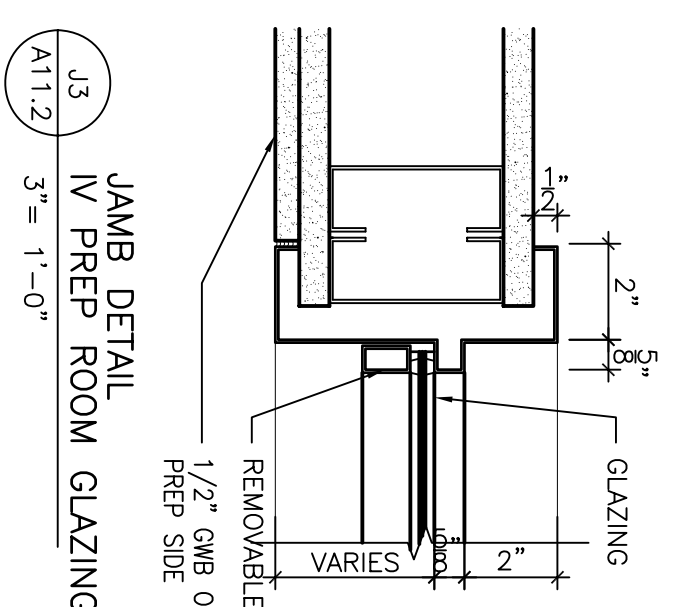
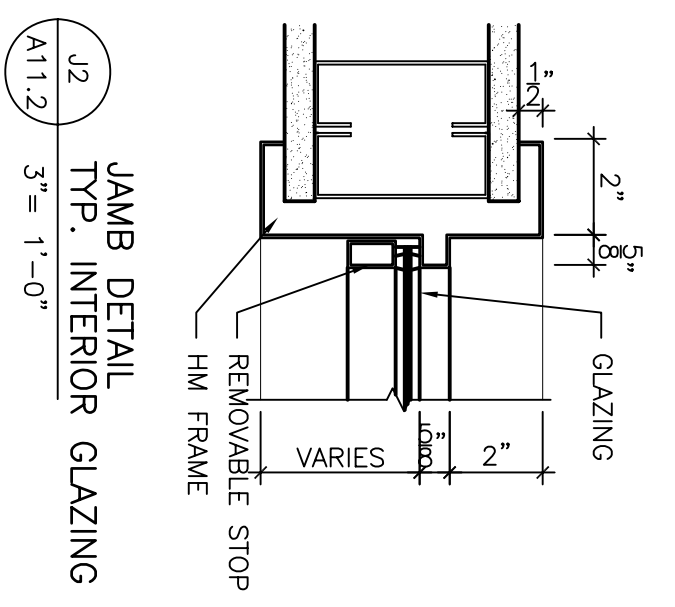
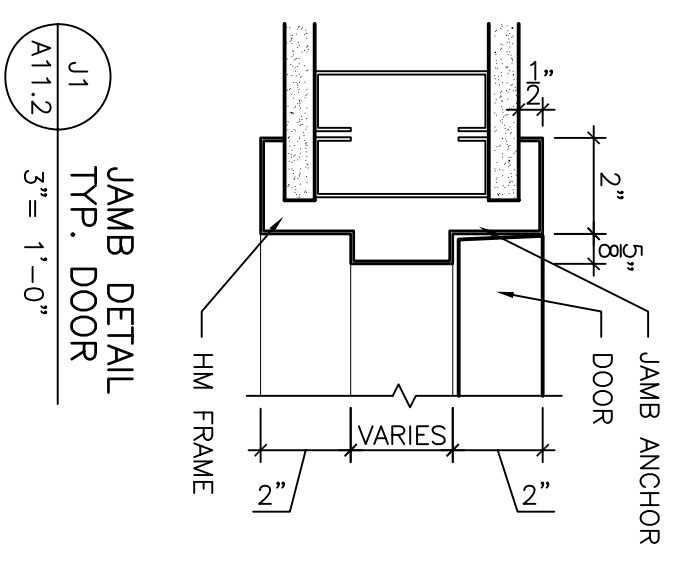
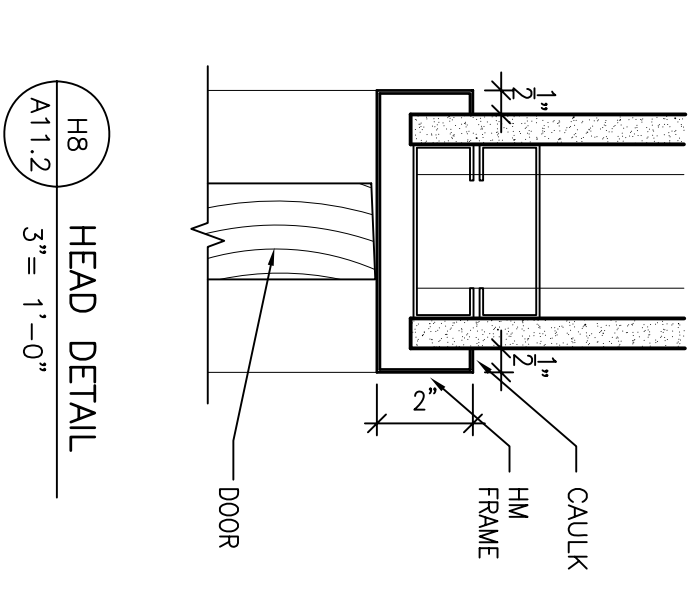
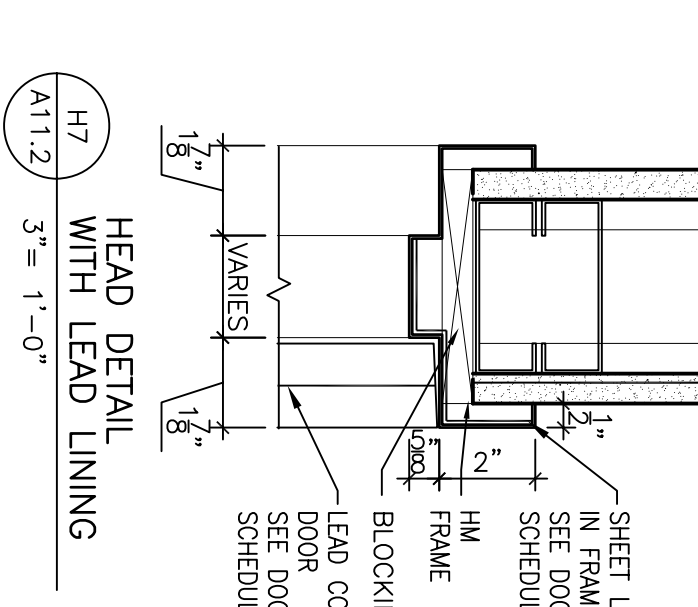
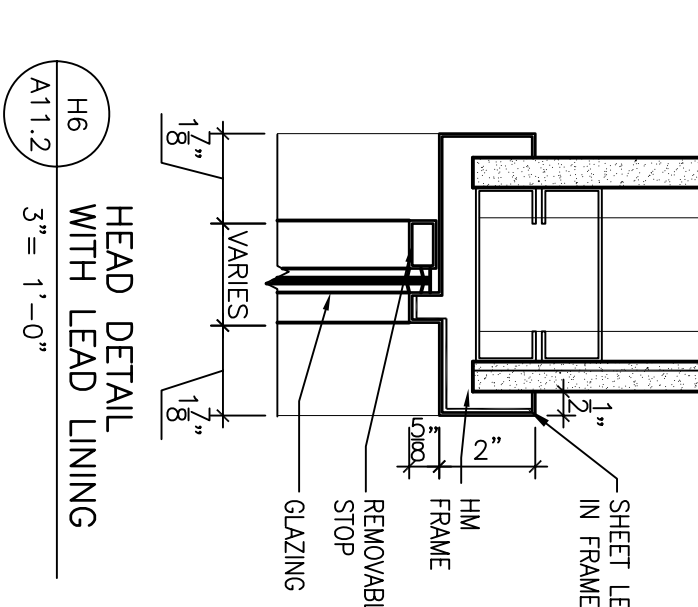
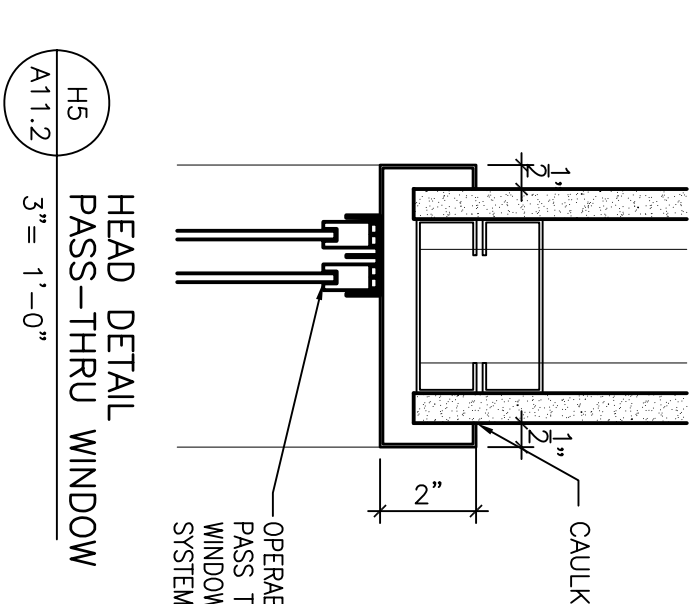
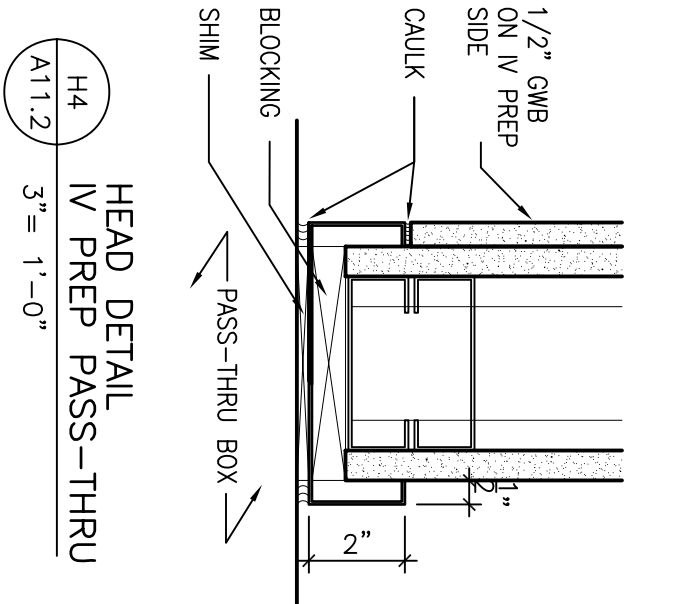
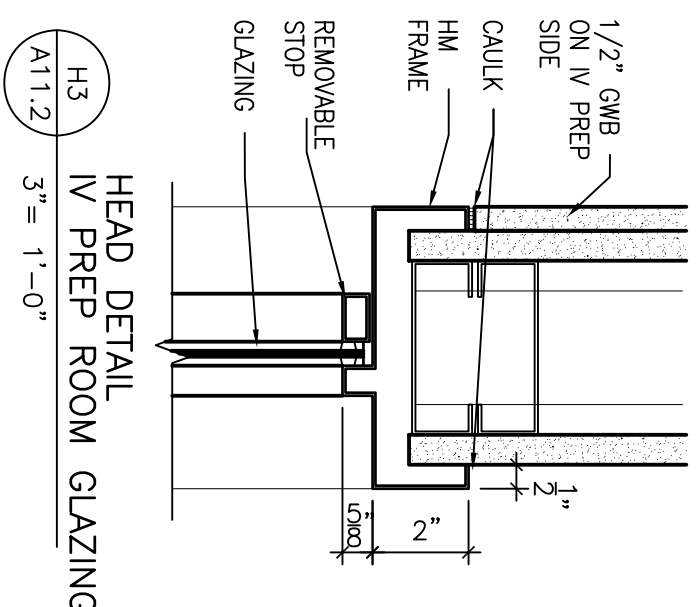
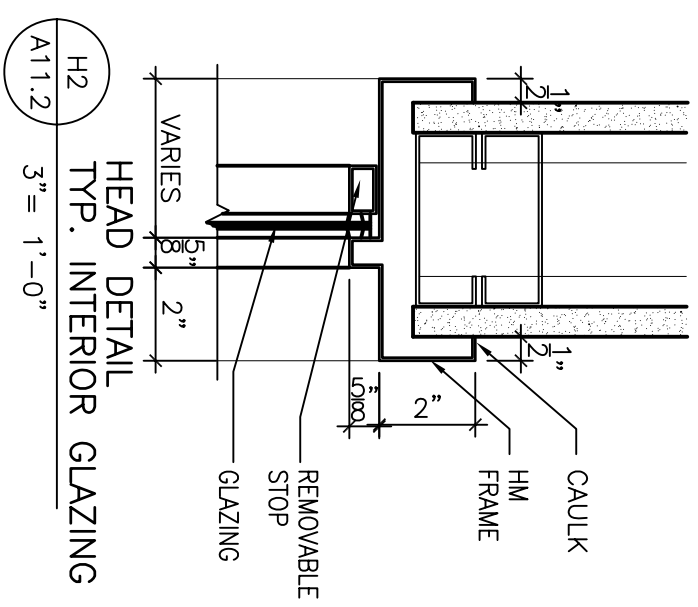
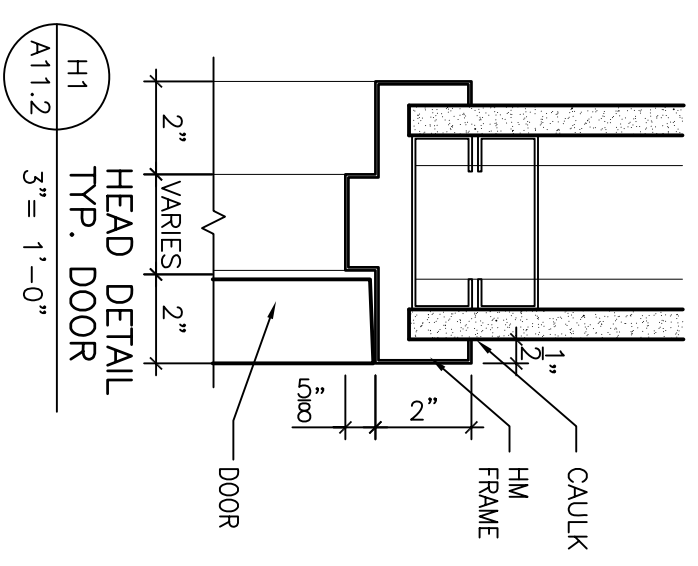
Project
Landmark Healthcare
Facilities LLC

**For: River Medical
Pavilion
Portland, Maine**

Date
August 23, 2007

Project No.
07-5198

Sheet No.
A11.2



REVEAL DETAILS

SCALE 3\"/>