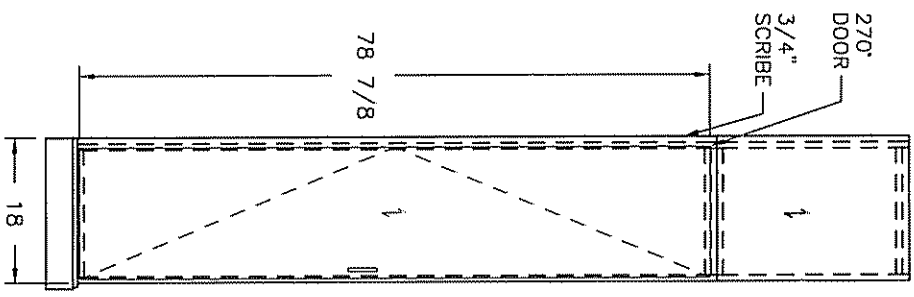
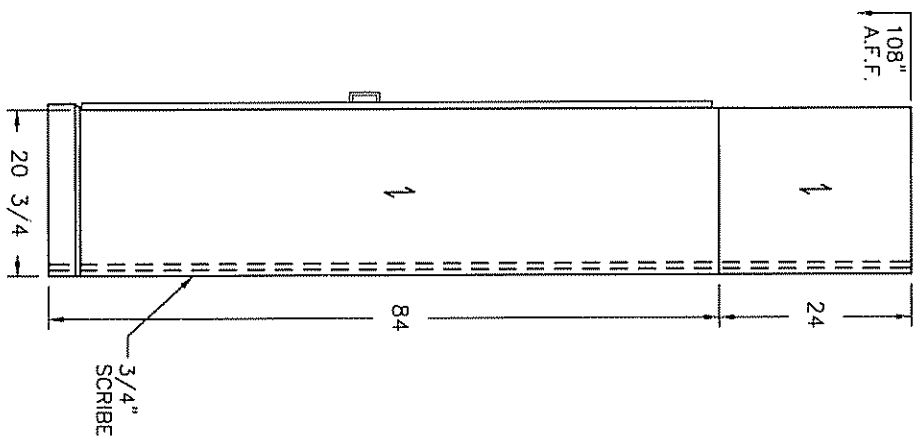


PLAN VIEW



FRONT ELEVATION



SIDE ELEVATION

NOTE:
 1. TOTAL NUMBER OF LEFT AND RIGHT HAND UNITS TO BE DETERMINED PRIOR TO PRODUCTION.

A WARDROBE
 E8 INPATIENT/OBS: TYPICAL (SHOWN WITH DOOR FRONT)

HARDWARE SPECIFICATIONS
 (SEE SPECIFIC WRITTEN QUOTE)

NOTES:
 1. SYMBOL DENOTES GRAIN DIRECTION. ↑
 2. DUE TO THE CUSTOM NATURE OF THIS PRODUCT, THE SPECIFICATIONS ARE SUBJECT TO CHANGE WITHOUT NOTICE.

INSTALLATION BY OTHERS

PROJECT:
 MERCY HOSPITAL AT THE FORE
 144 STATE ST.
 PORTLAND, ME 04101

SCALE: 1/2" = 1'-0"



HOMEWOOD
 HEALTH CARE
Wells Careless @ Home
 HOMEWOOD HEALTH CARE
 6100 AVERY ROAD
 DUBLIN, OHIO 43016
 PHONE: 1-800-422-6264
 FAX: 1-614-766-7248

SALES ASSOC. SALES ASSOCIATE

DESIGNED BY HOMEWOOD HEALTH CARE

REVIEWED BY DONALD A. DELEWSE

OPERATIONS MANAGER COLETTE CRAMER

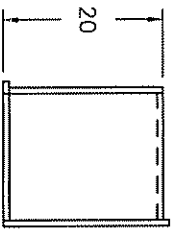
DATE DRAWN OR REVISED

7-20-06	ELS
8-22-06	ELS
10-23-06	ELS

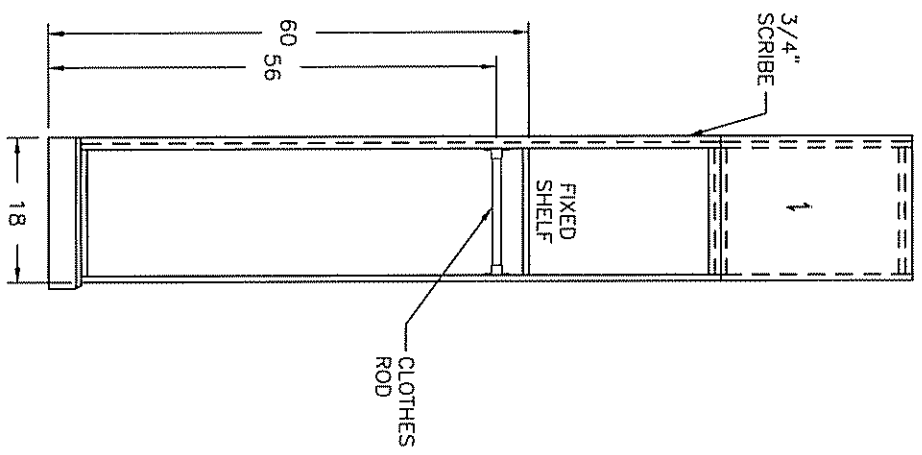
DRAWING CONTROL NUMBER
 5090-072106D-B

SHOP DRAWING
 SHEET NO.

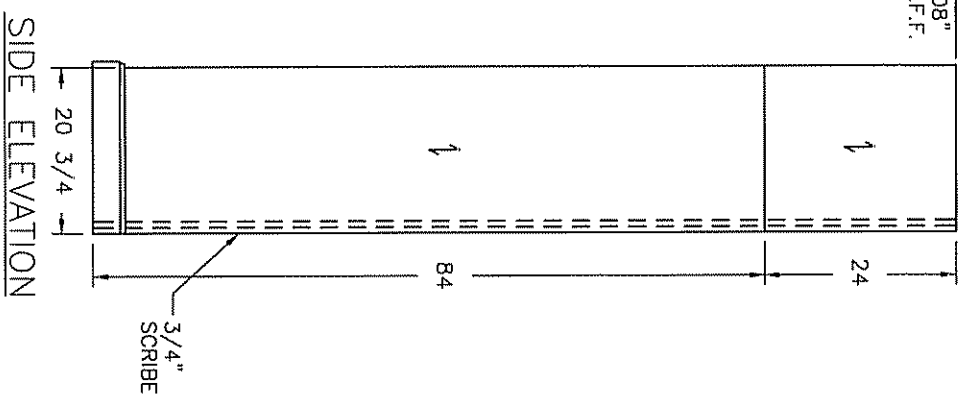
E8



PLAN VIEW



FRONT ELEVATION



SIDE ELEVATION

NOTE:
 1. TOTAL NUMBER OF LEFT AND RIGHT HAND UNITS TO BE DETERMINED PRIOR TO PRODUCTION.

HARDWARE SPECIFICATIONS
 (SEE SPECIFIC WRITTEN QUOTE)

NOTES:
 1. SYMBOL DENOTES GRAB DIRECTION. ↑
 2. DUE TO THE CUSTOM NATURE OF THIS PRODUCT, THE SPECIFICATIONS ARE SUBJECT TO CHANGE WITHOUT NOTICE.

INSTALLATION BY OTHERS

PROJECT:
 MERCY HOSPITAL AT THE FORE
 144 STATE ST.
 PORTLAND, ME 04101

SCALE: 1/2" = 1'-0"



HOMEWOOD HEALTH CARE
 6100 AVERY ROAD
 DUBLIN, OHIO 43016
 PHONE: 1-800-422-6264
 FAX: 1-614-766-7248

SALES ASSOC. SALES ASSOCIATE	
DESIGNED BY HOMWOOD HEALTH CARE	
REVIEWED BY DONALD A. DELEWSE	
OPERATIONS MANAGER COLETTE CRAMER	
DATE DRAWN OR REVISED	ELS
7-20-06	ELS
8-22-06	ELS
10-23-06	ELS
DRAWING CONTROL NUMBER	
5090-072106D-B/V1	
SHOP DRAWING	
SHEET NO.	

A
 E8A

WARDROBE
 INPATIENT/OBS: TYPICAL (SHOWN WITHOUT DOOR FRONT)