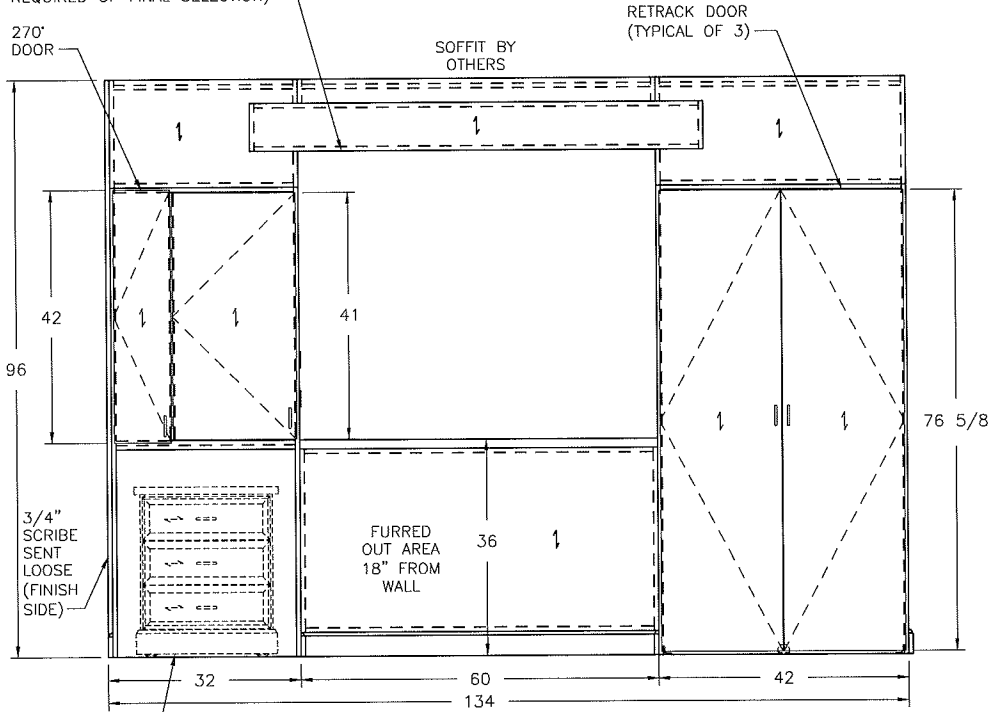
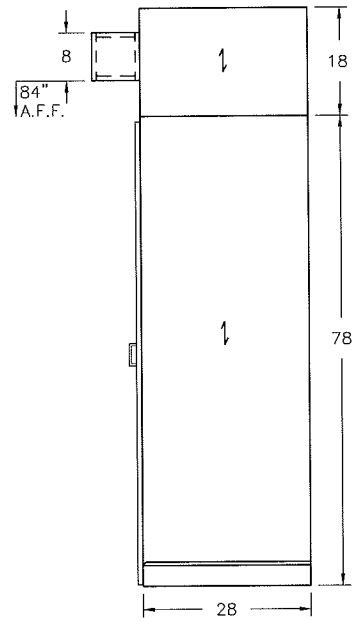


PLAN VIEW

LIGHT VALANCE (LIGHT FIXTURE BY OTHERS AND CUT SHEET REQUIRED OF FINAL SELECTION)



FRONT ELEVATION



SIDE ELEVATION

SEE SHEET E6 FOR NIGHT STAND DRAWING

A
E2B

FULL HEADWALL WITH INFANT CARE AREA
BOARDER ROOM: S3052 (SHOWN WITH DOOR FRONTS)

HARDWARE SPECIFICATIONS
(SEE SPECIFIC WRITTEN QUOTE)

NOTES:
1. SYMBOL DENOTES GRAIN DIRECTION. ↑
2. DUE TO THE CUSTOM NATURE OF THIS PRODUCT, THE SPECIFICATIONS ARE SUBJECT TO CHANGE WITHOUT NOTICE.

INSTALLATION BY OTHERS

PROJECT:
MERCY HOSPITAL AT THE FORE
144 STATE ST.
PORTLAND, ME 04101

SCALE: 3/8" = 1'-0"



HOMWOOD HEALTH CARE
6100 AVERY ROAD
DUBLIN, OHIO 43016
PHONE: 1-800-422-6264
FAX: 1-614-766-7248

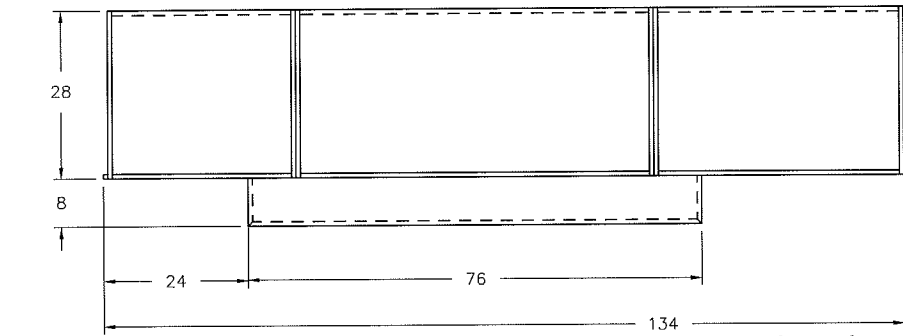
SALES ASSOC. SALES ASSOCIATE
DESIGNED BY HOMWOOD HEALTH CARE
REVIEWED BY DONALD A. DELEWESE
CUSTOMER MANAGER COLETTE CRAMER

| DATE DRAWN OR REVISED | |
|-----------------------|-----|
| 8-22-06 | ELS |
| 9-11-06 | ELS |

DRAWING CONTROL NUMBER
5111-082206D-A

SHOP DRAWING
SHEET NO.

E2B

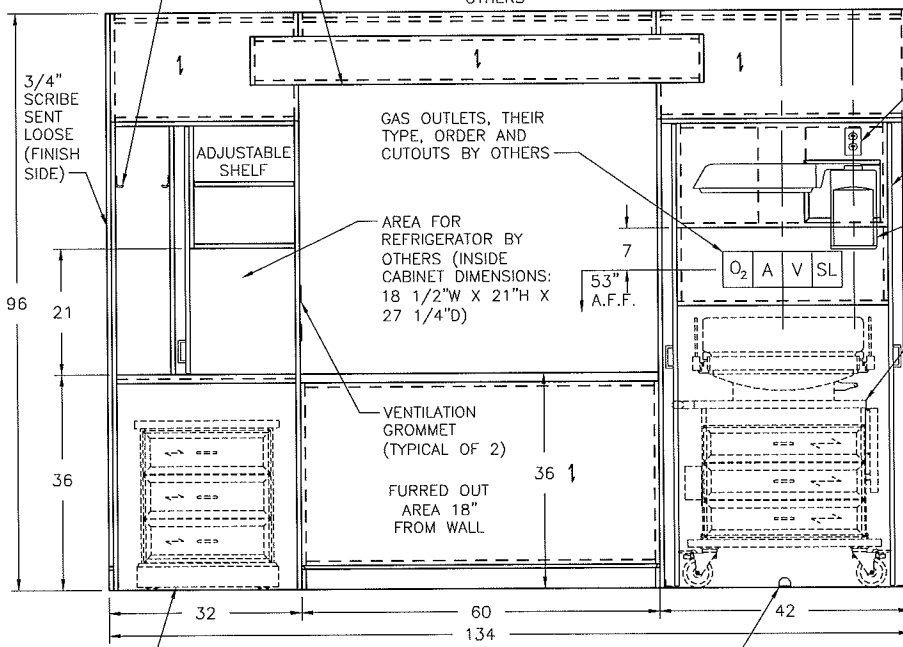


PLAN VIEW

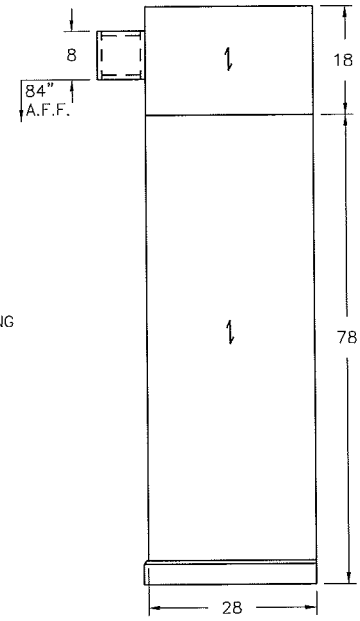
LIGHT VALANCE (LIGHT FIXTURE BY OTHERS AND CUT SHEET REQUIRED OF FINAL SELECTION)

CLOTHING HOOK (TYPICAL OF 2)

SOFFIT BY OTHERS



FRONT ELEVATION



SIDE ELEVATION

SEE SHEET E6 FOR NIGHT STAND DRAWING

DOOR STOP BY HOMEWOOD, INSTALLED BY OTHERS

ANGLE BRACKET BY HOMEWOOD, INSTALLATION BY OTHERS (TYPICAL OF 6)

A
E2C

FULL HEADWALL WITH INFANT CARE AREA
BOARDER ROOM: S3052 (SHOWN WITHOUT DOOR FRONTS)

HARDWARE SPECIFICATIONS
(SEE SPECIFIC WRITTEN QUOTE)

NOTES:
1. SYMBOL DENOTES GRAIN DIRECTION.
2. DUE TO THE CUSTOM NATURE OF THIS PRODUCT, THE SPECIFICATIONS ARE SUBJECT TO CHANGE WITHOUT NOTICE.

INSTALLATION BY OTHERS

PROJECT:
MERCY HOSPITAL AT THE FORE
144 STATE ST.
PORTLAND, ME 04101

SCALE: 3/8" = 1'-0"



HOMEWOOD HEALTH CARE
6100 AVERY ROAD
DUBLIN, OHIO 43016
PHONE: 1-800-422-6264
FAX: 1-614-766-7248

SALES ASSOC. SALES ASSOCIATE

DESIGNED BY HOMEWOOD HEALTH CARE

REVIEWED BY DONALD A. DELEWESE

CUSTOMER MANAGER COLETTE CRAMER

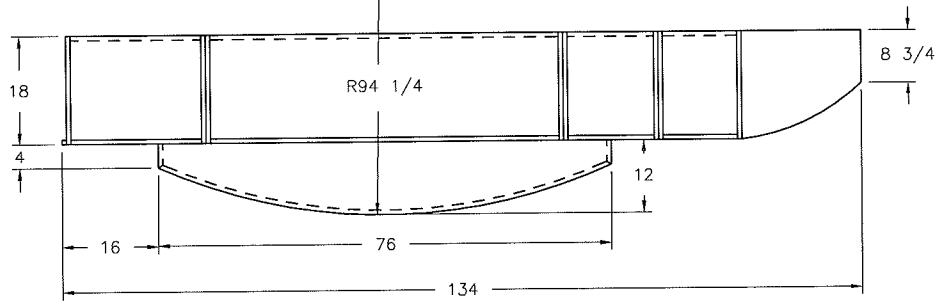
DATE DRAWN OR REVISED

| | |
|---------|-----|
| 8-22-06 | ELS |
| 9-11-06 | ELS |

DRAWING CONTROL NUMBER
5111-082206D-AV1

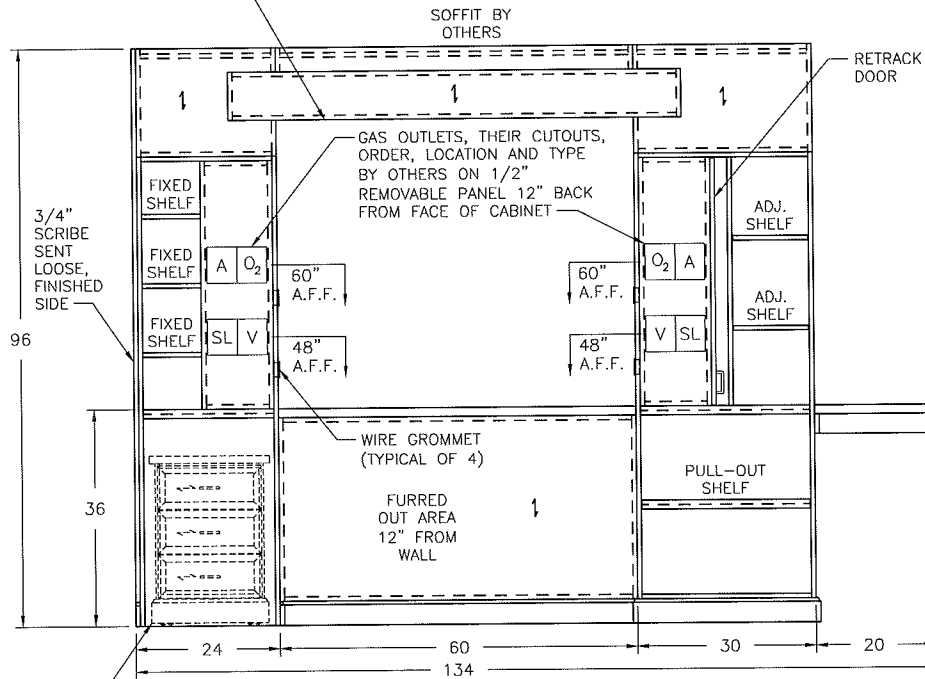
SHOP DRAWING
SHEET NO.

E2C

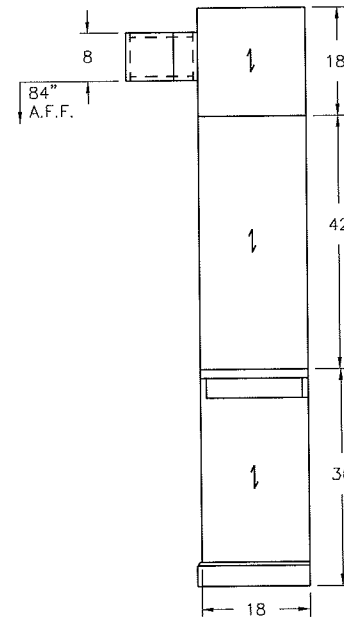


PLAN VIEW

LIGHT VALANCE (LIGHT FIXTURE BY OTHERS AND CUT SHEET REQUIRED OF FINAL SELECTION)



FRONT ELEVATION



SIDE ELEVATION

SEE SHEET E3 FOR NIGHT STAND DRAWING



FULL HEADWALL
INPATIENT/OBS: TYPICAL
(SHOWN WITHOUT DOOR FRONTS)

HARDWARE SPECIFICATIONS
(SEE SPECIFIC WRITTEN QUOTE)

NOTES:

1. SYMBOL DENOTES GRAIN DIRECTION.
2. DUE TO THE CUSTOM NATURE OF THIS PRODUCT, THE SPECIFICATIONS ARE SUBJECT TO CHANGE WITHOUT NOTICE.

INSTALLATION BY OTHERS

PROJECT:
MERCY HOSPITAL AT THE FORE
144 STATE ST.
PORTLAND, ME 04101

SCALE: 3/8" = 1'-0"



HOMEWOOD HEALTH CARE
6100 AVERY ROAD
DUBLIN, OHIO 43016
PHONE: 1-800-422-6264
FAX: 1-614-766-7248

SALES ASSOC. SALES ASSOCIATE

DESIGNED BY HOMEWOOD HEALTH CARE

REVIEWED BY DONALD A. DELEWESE

CUSTOMER MANAGER COLETTE CRAMER

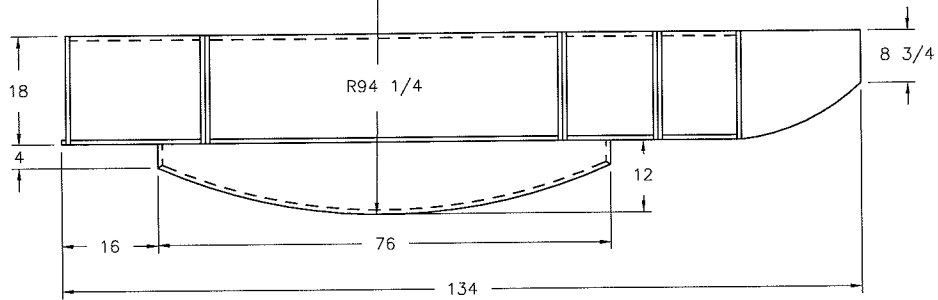
DATE DRAWN OR REVISED

| | |
|---------|-----|
| 6-21-06 | ELS |
| 7-12-06 | ELS |
| 8-22-06 | ELS |
| 9-11-06 | ELS |

DRAWING CONTROL NUMBER
5081-062006D-CV1

SHOP DRAWING
SHEET NO.

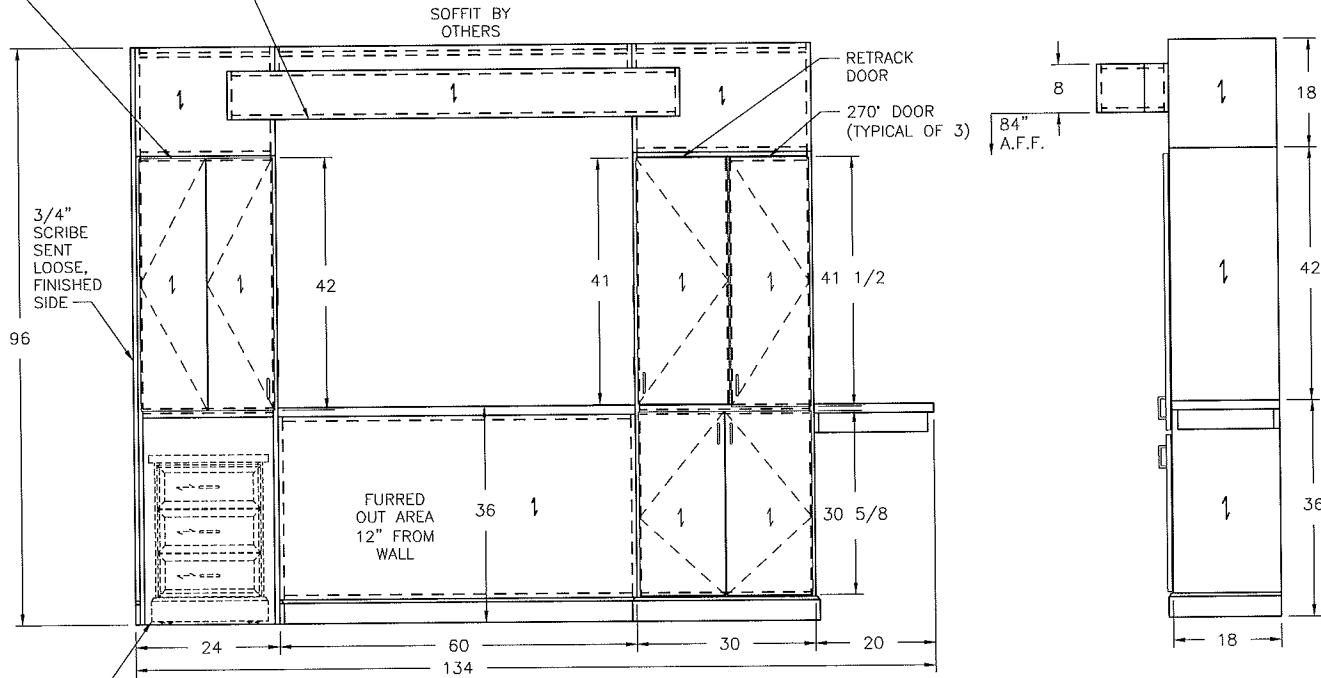
E2A



PLAN VIEW

LIGHT VALANCE (LIGHT FIXTURE BY OTHERS AND CUT SHEET REQUIRED OF FINAL SELECTION)

270° BI-FOLD DOORS



FRONT ELEVATION

SIDE ELEVATION

SEE SHEET E3 FOR NIGHT STAND DRAWING

A
E2

FULL HEADWALL
INPATIENT/OBS: TYPICAL
(SHOWN WITH DOOR FRONTS)

HARDWARE SPECIFICATIONS
(SEE SPECIFIC WRITTEN QUOTE)

NOTES:

1. SYMBOL DENOTES GRAIN DIRECTION.
2. DUE TO THE CUSTOM NATURE OF THIS PRODUCT, THE SPECIFICATIONS ARE SUBJECT TO CHANGE WITHOUT NOTICE.

INSTALLATION BY OTHERS

PROJECT:
MERCY HOSPITAL AT THE FORE
144 STATE ST.
PORTLAND, ME 04101

SCALE: 3/8" = 1'-0"



HOMWOOD HEALTH CARE
6100 AVERY ROAD
DUBLIN, OHIO 43016
PHONE: 1-800-422-6264
FAX: 1-614-766-7248

SALES ASSOC. SALES ASSOCIATE
DESIGNED BY HOMWOOD HEALTH CARE
REVIEWED BY DONALD A. DELEWESE
CUSTOMER MANAGER COLETTE CRAMER

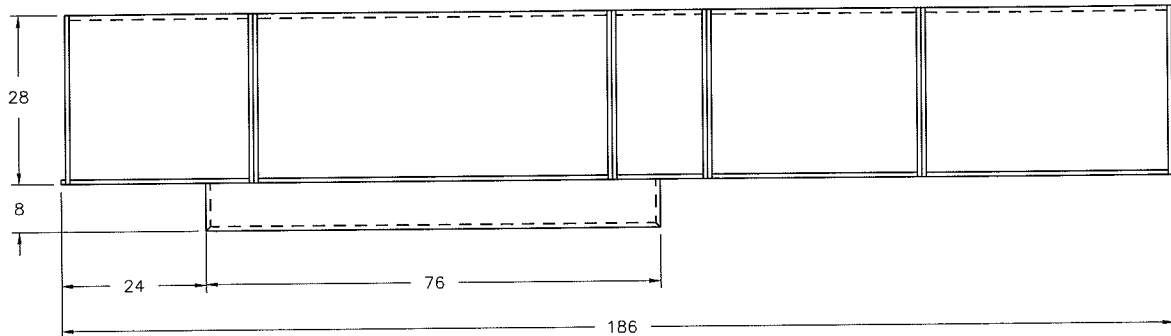
DATE DRAWN OR REVISED

| | |
|---------|-----|
| 6-21-06 | ELS |
| 7-14-06 | ELS |
| 8-22-06 | ELS |
| 9-11-06 | ELS |

DRAWING CONTROL NUMBER
5081-062006D-C

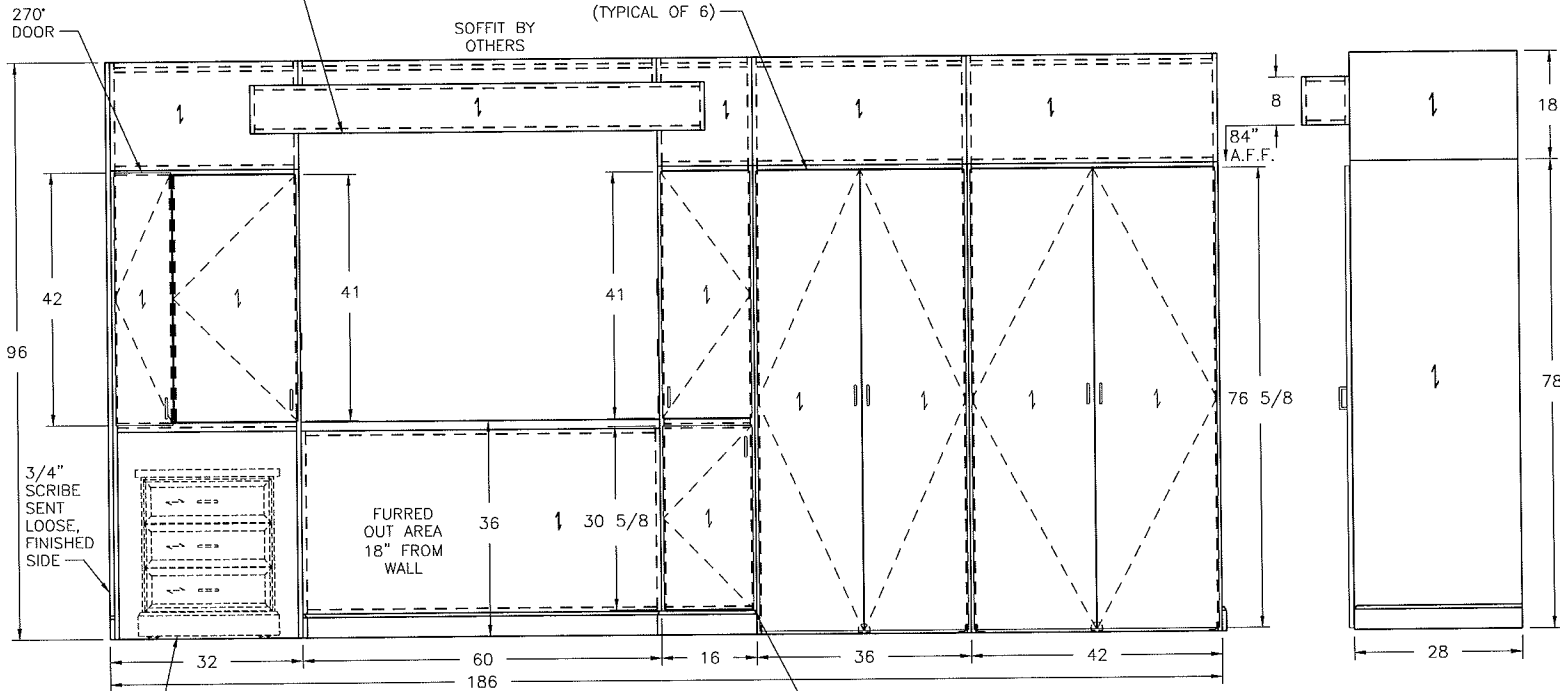
SHOP DRAWING
SHEET NO.

E2



PLAN VIEW

LIGHT VALANCE (LIGHT FIXTURE BY OTHERS AND CUT SHEET REQUIRED OF FINAL SELECTION)



FRONT ELEVATION

SIDE ELEVATION

SEE SHEET E6 FOR NIGHT STAND DRAWING

A
E1

FULL HEADWALL WITH INFANT CARE AREA
LDRP: TYPICAL (SHOWN WITH DOOR FRONTS)

HARDWARE SPECIFICATIONS
(SEE SPECIFIC WRITTEN QUOTE)

NOTES:

1. SYMBOL DENOTES GRAIN DIRECTION.
2. DUE TO THE CUSTOM NATURE OF THIS PRODUCT, THE SPECIFICATIONS ARE SUBJECT TO CHANGE WITHOUT NOTICE.

INSTALLATION BY OTHERS

PROJECT:
MERCY HOSPITAL AT THE FORE
144 STATE ST.
PORTLAND, ME 04101

SCALE: 3/8" = 1'-0"



HOMEWOOD HEALTH CARE
6100 AVERY ROAD
DUBLIN, OHIO 43016
PHONE: 1-800-422-6264
FAX: 1-614-766-7248

SALES ASSOC. SALES ASSOCIATE

DESIGNED BY HOMEWOOD HEALTH CARE

REVIEWED BY DONALD A. DELEWESE

CUSTOMER MANAGER COLETTE CRAMER

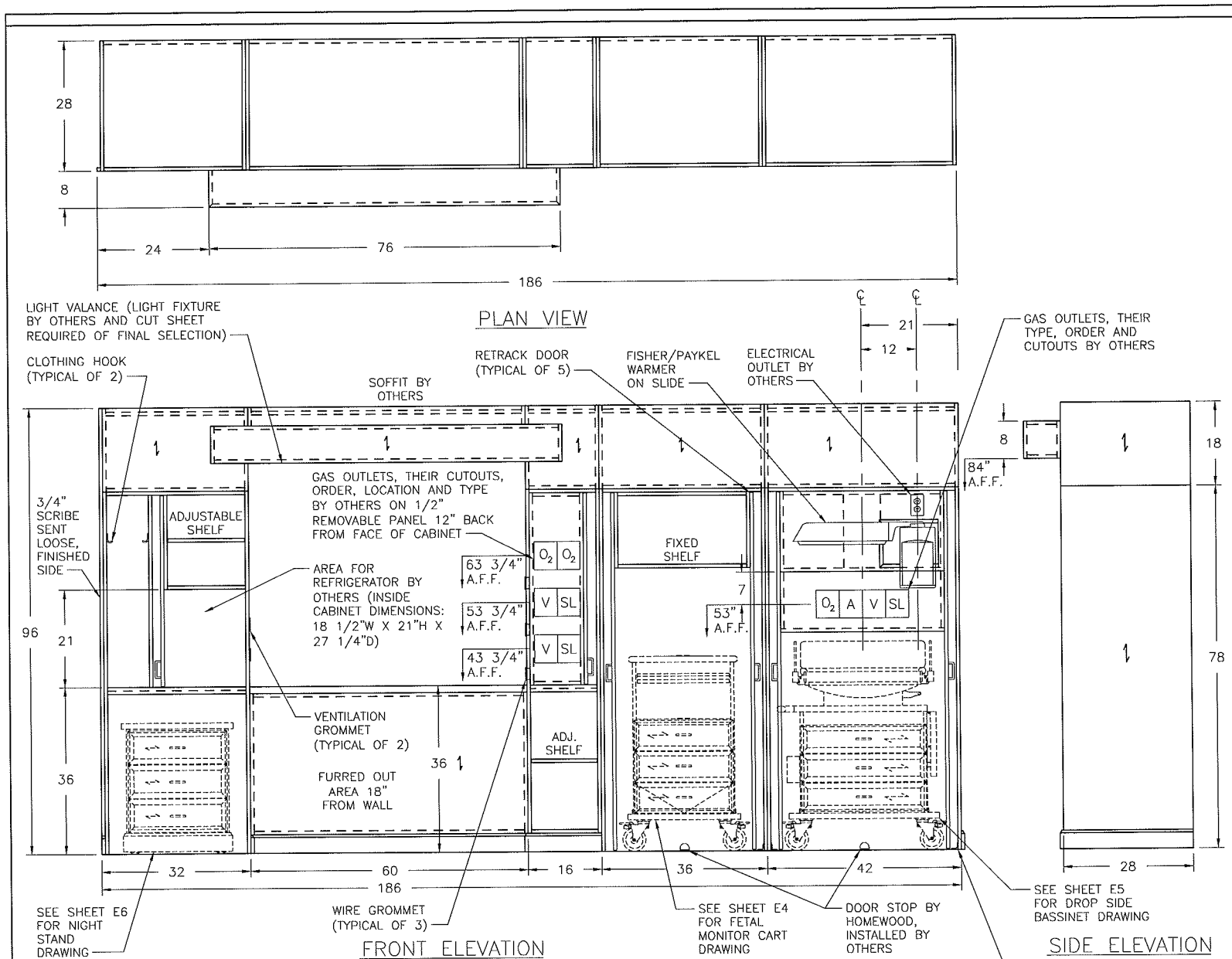
DATE DRAWN OR REVISED

| | |
|---------|-----|
| 6-20-06 | ELS |
| 7-19-06 | ELS |
| 8-22-06 | ELS |
| 9-11-06 | ELS |

DRAWING CONTROL NUMBER
5080-062006D-C

SHOP DRAWING
SHEET NO.

E1



HARDWARE SPECIFICATIONS
(SEE SPECIFIC WRITTEN QUOTE)

NOTES:
1. SYMBOL DENOTES GRAIN DIRECTION.
2. DUE TO THE CUSTOM NATURE OF THIS PRODUCT, THE SPECIFICATIONS ARE SUBJECT TO CHANGE WITHOUT NOTICE.

INSTALLATION BY OTHERS

PROJECT:
MERCY HOSPITAL AT THE FORE
144 STATE ST.
PORTLAND, ME 04101

SCALE: 3/8" = 1'-0"

HOMEWOOD HEALTH CARE
6100 AVERY ROAD
DUBLIN, OHIO 43016
PHONE: 1-800-422-6264
FAX: 1-614-766-7248

SALES ASSOC. SALES ASSOCIATE
DESIGNED BY HOMEWOOD HEALTH CARE
REVIEWED BY DONALD A. DELEWESE
CUSTOMER MANAGER COLETTE CRAMER

DATE DRAWN OR REVISED

| | |
|---------|-----|
| 6-21-06 | ELS |
| 8-22-06 | ELS |
| 9-11-06 | ELS |

DRAWING CONTROL NUMBER
5080-062006D-BV1

SHOP DRAWING SHEET NO.

A
E1A

FULL HEADWALL WITH INFANT CARE AREA
LDRP: TYPICAL (SHOWN WITHOUT DOOR FRONTS)

E1A