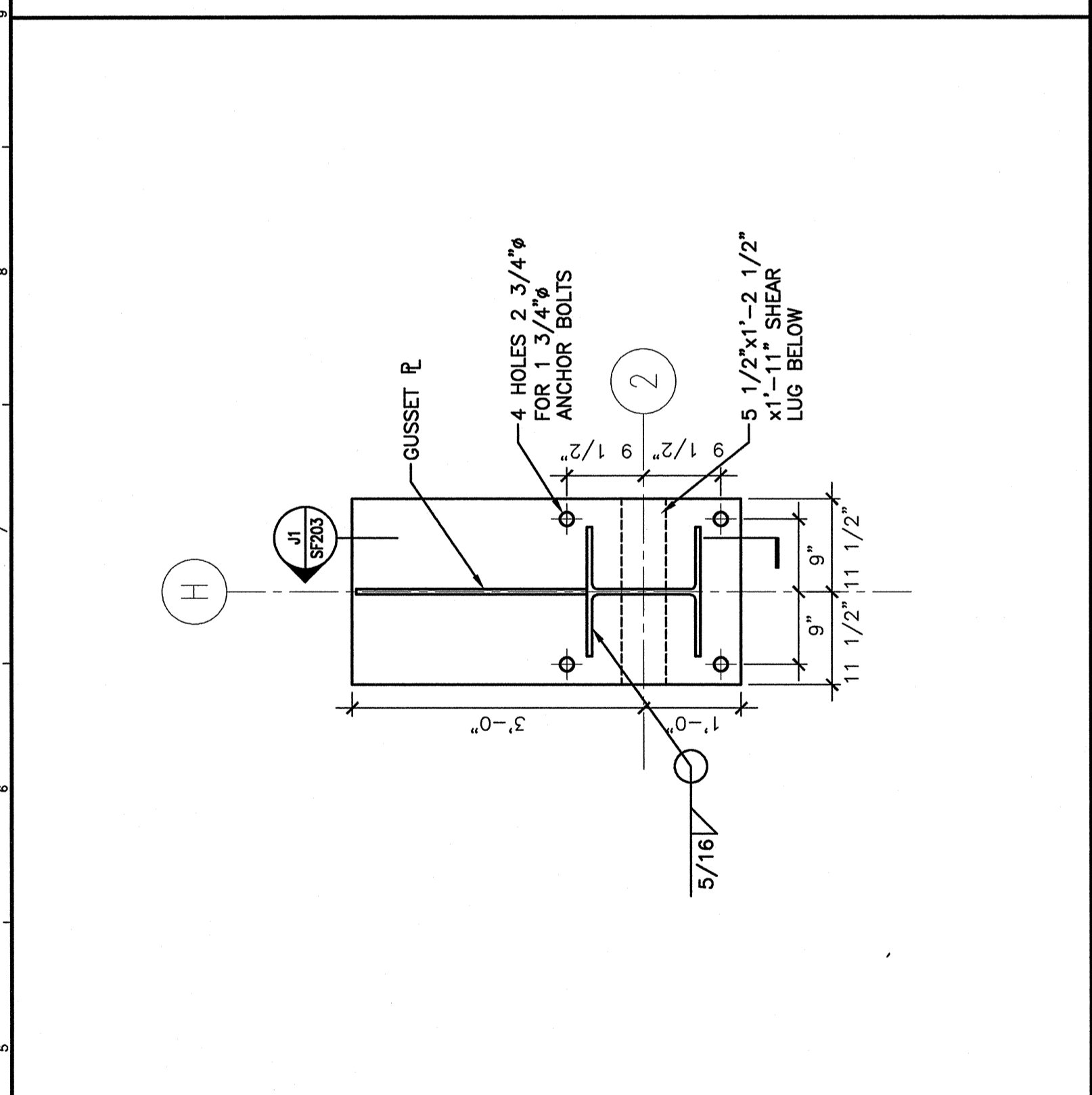
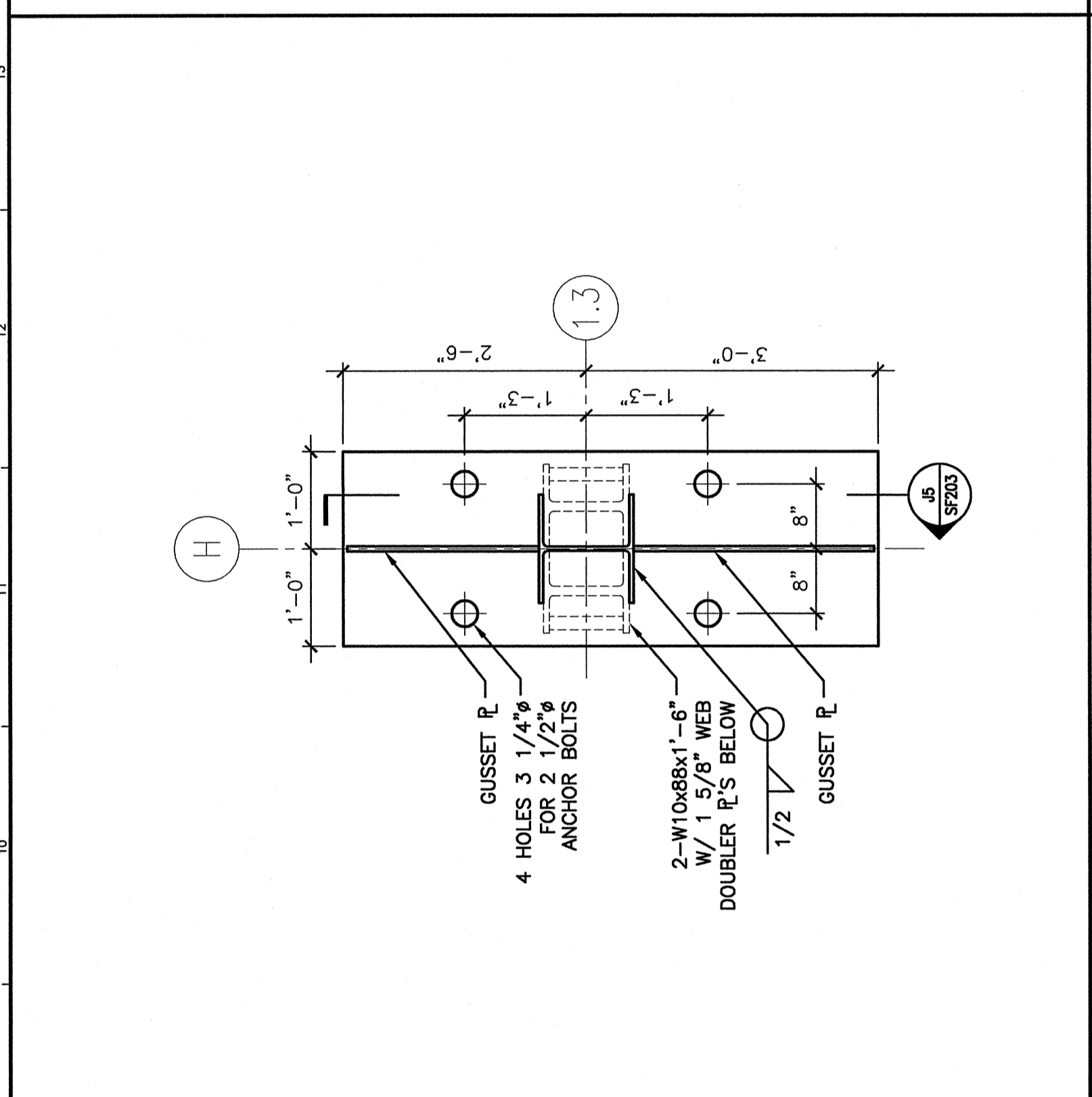
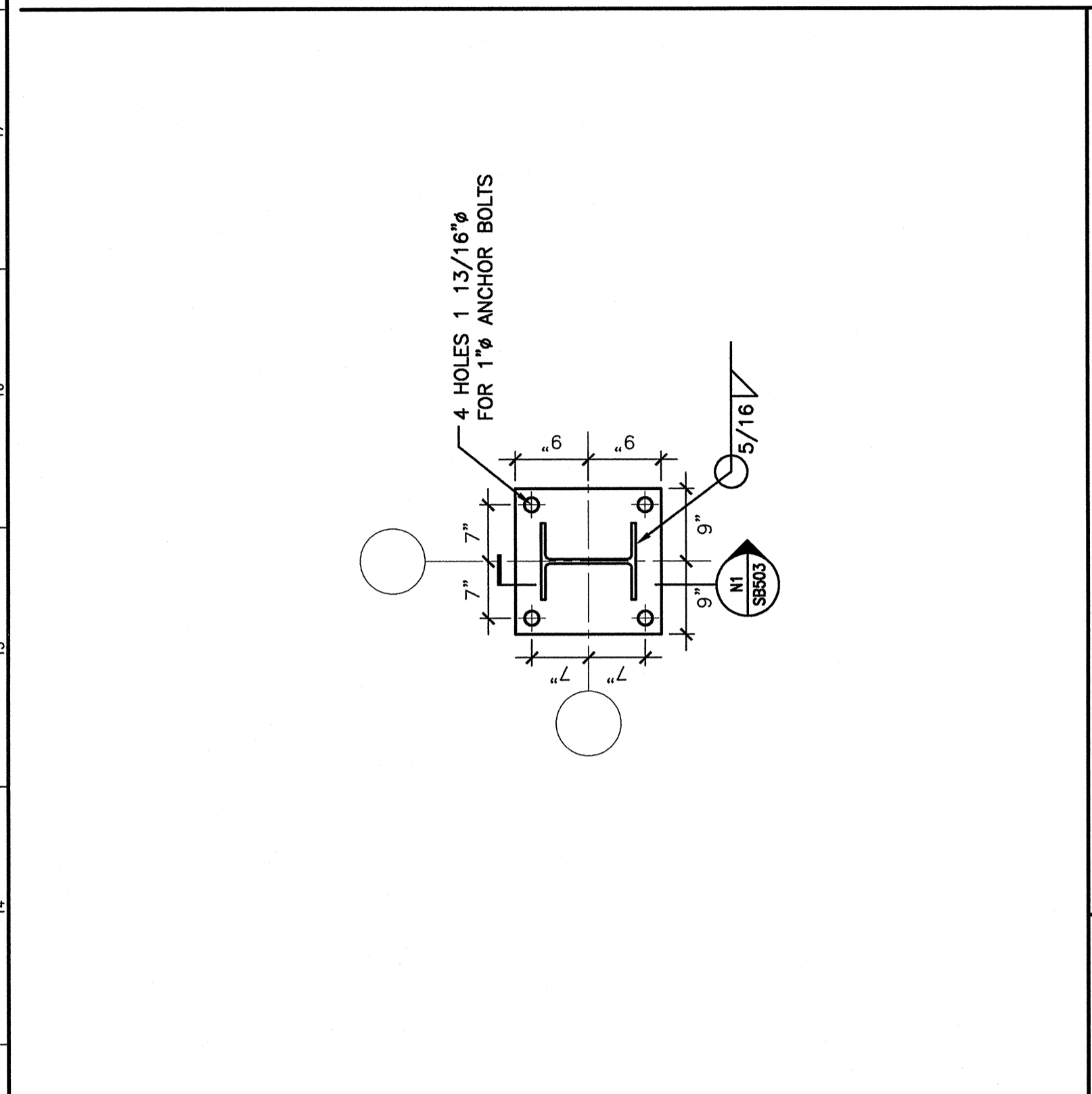
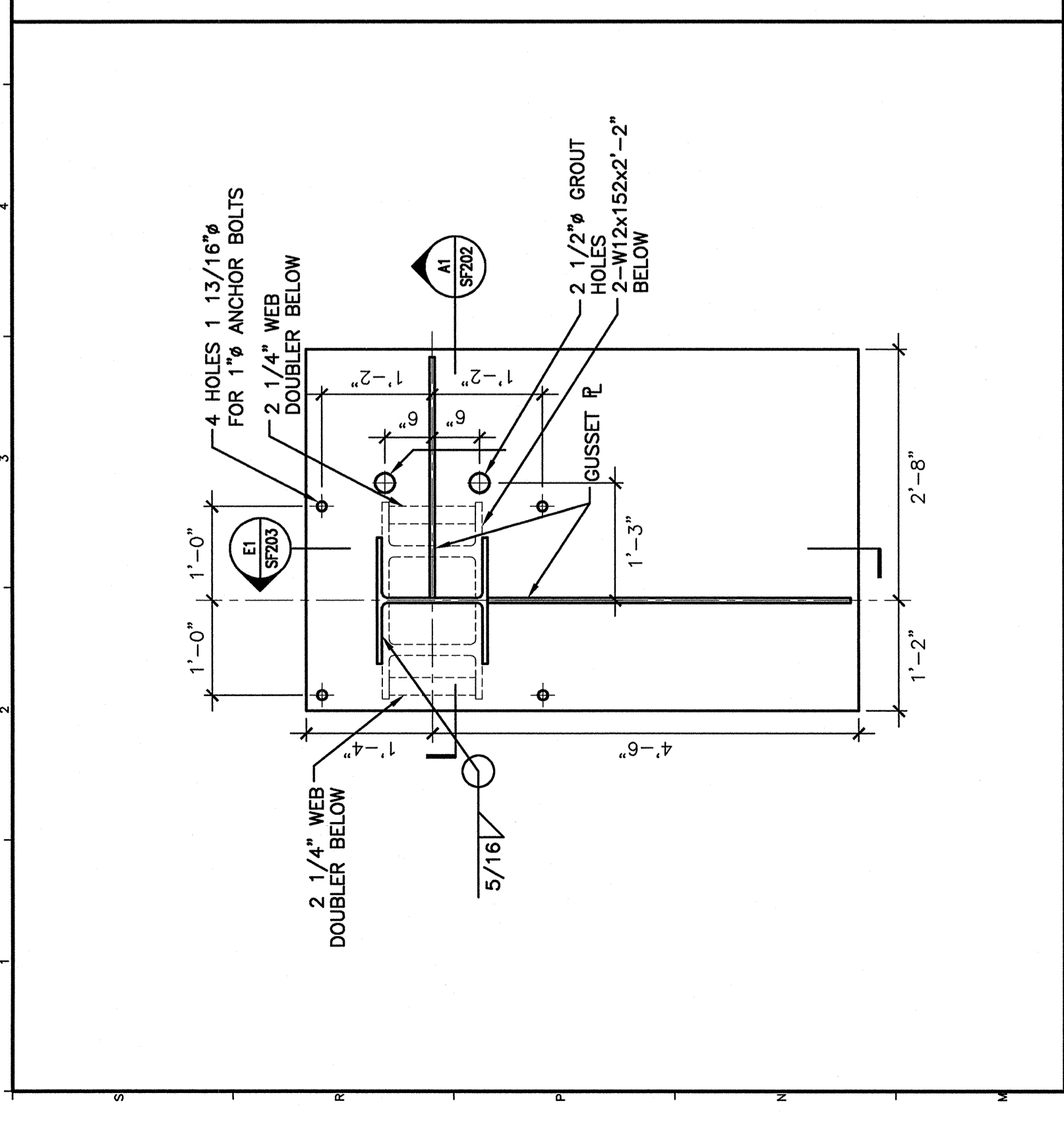
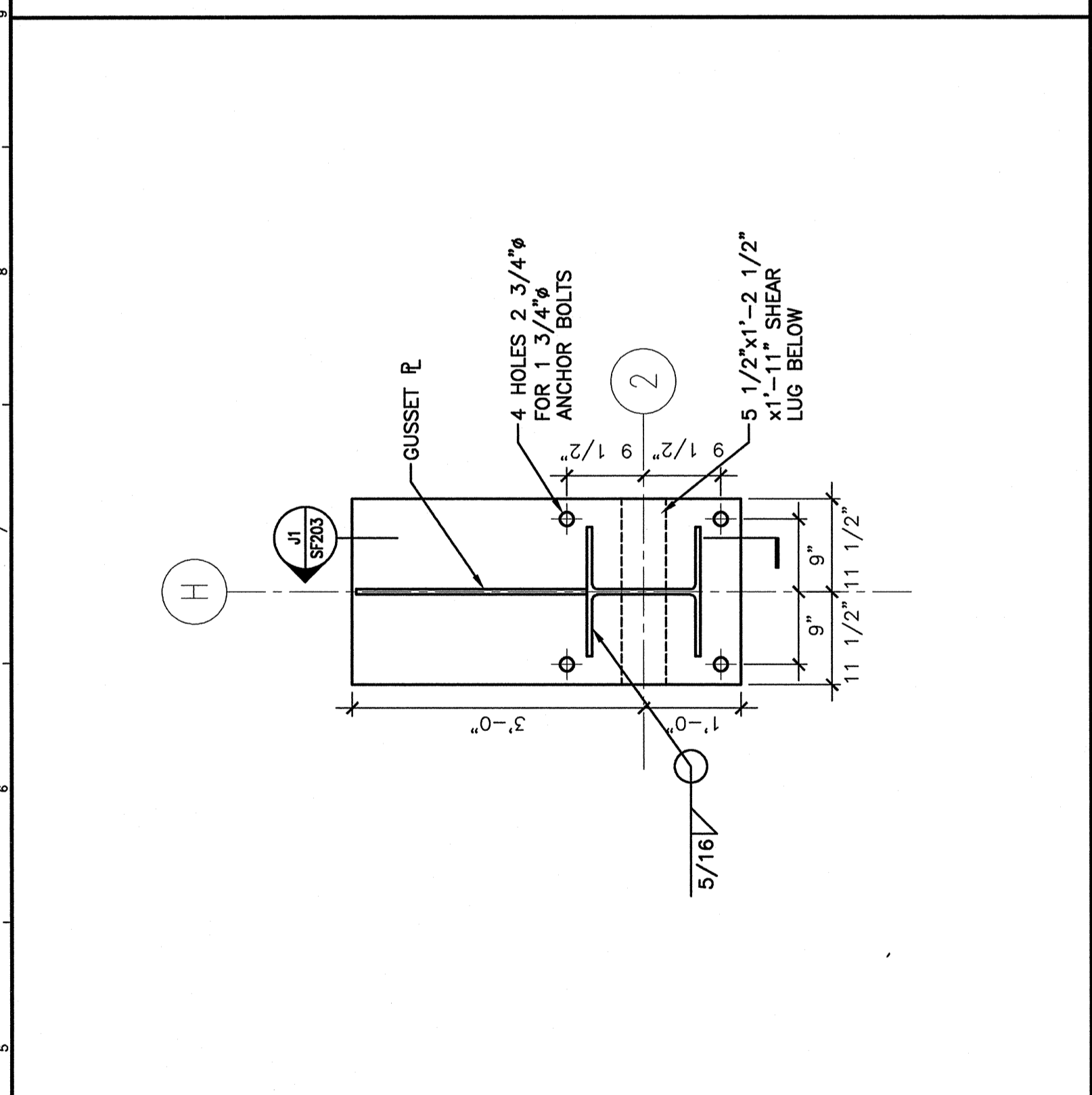
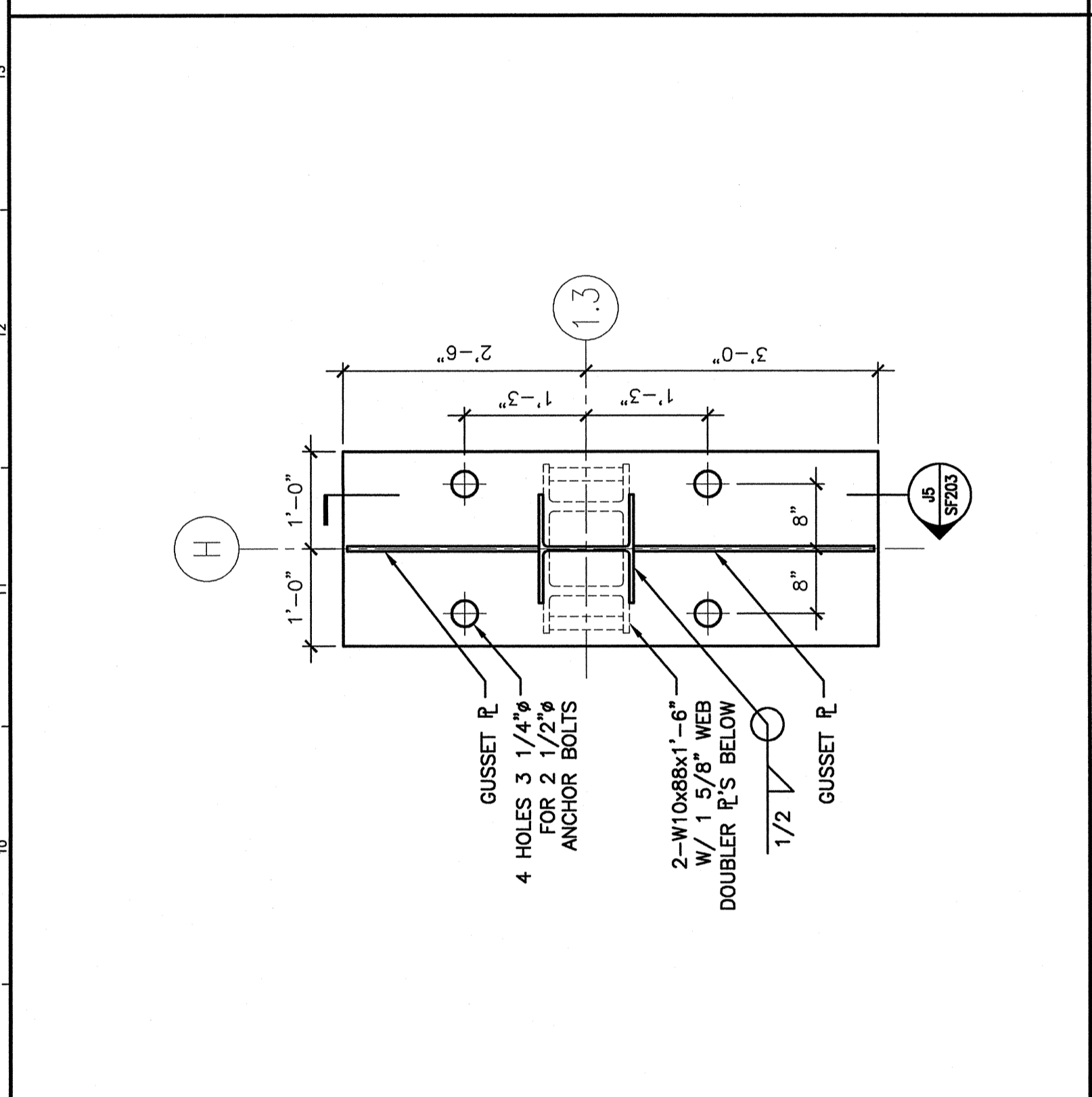
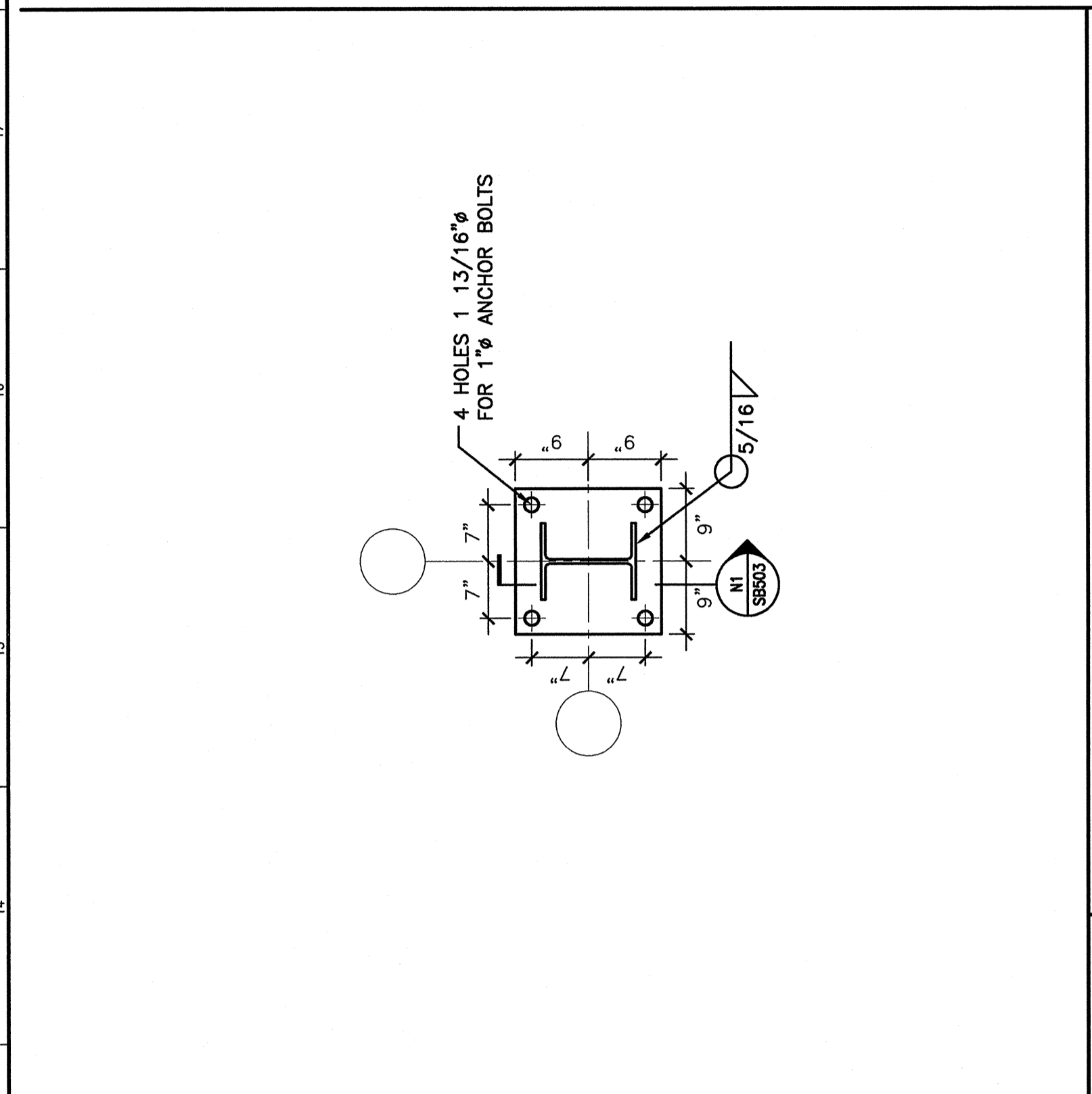
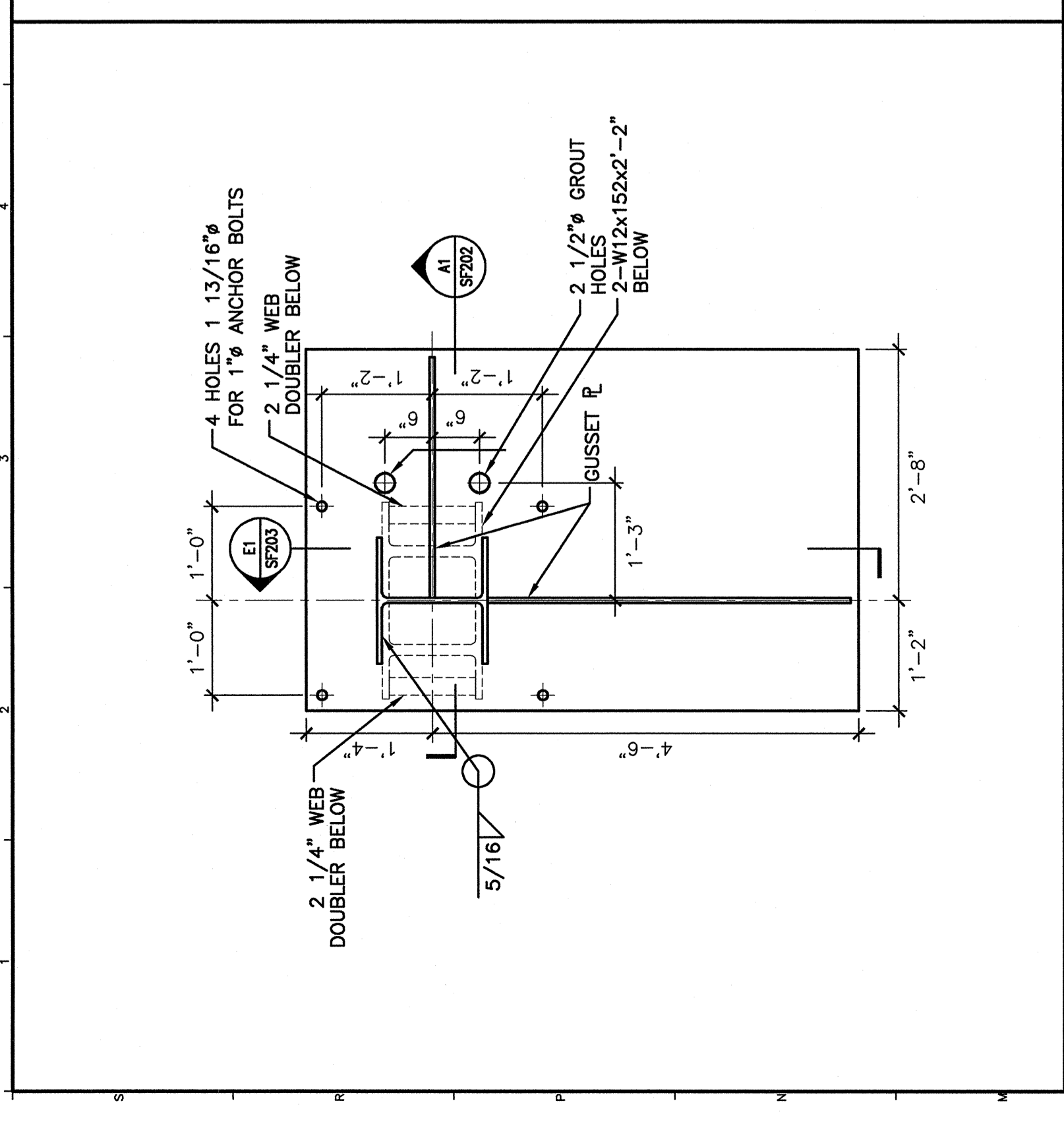


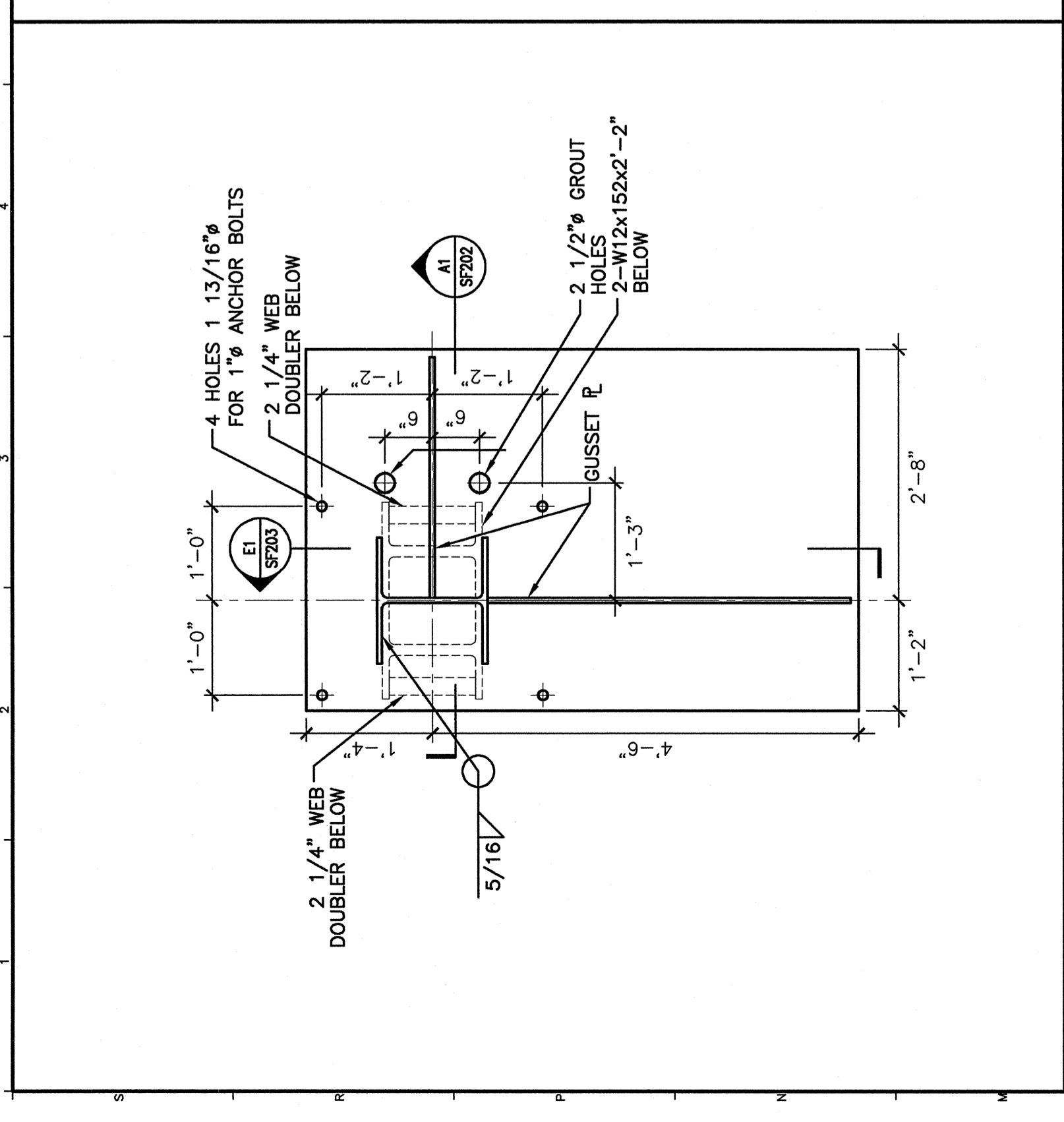
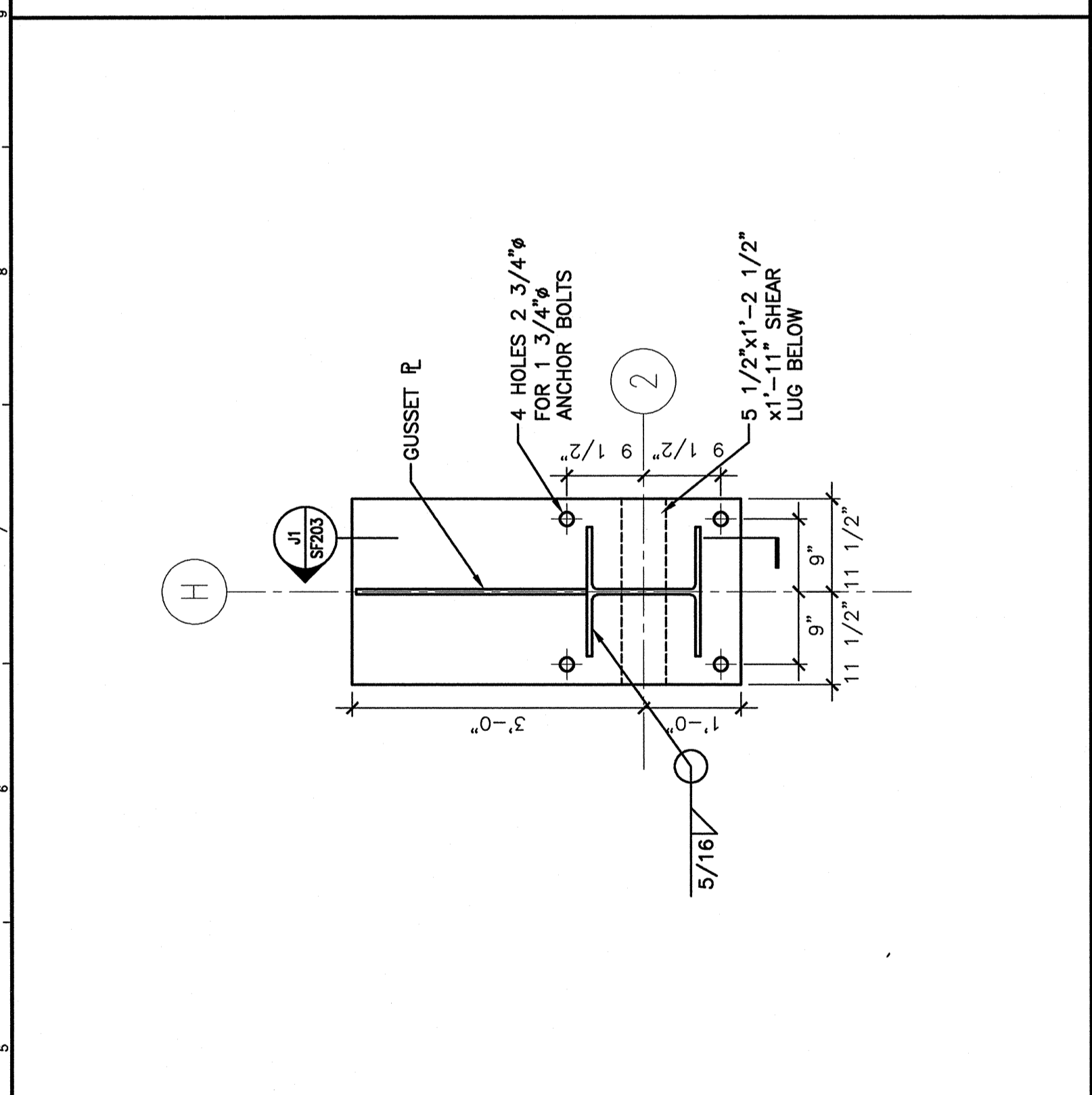
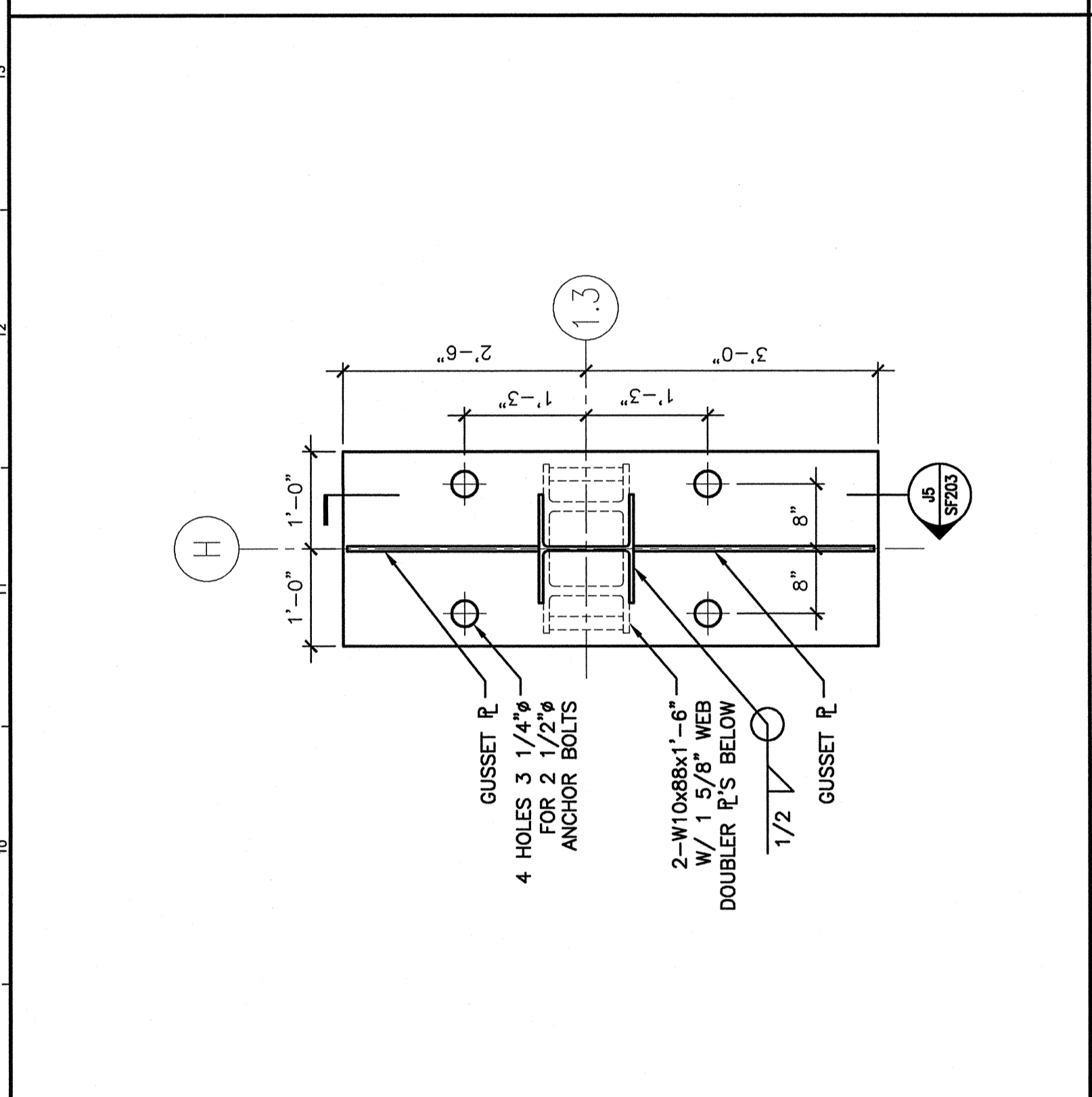
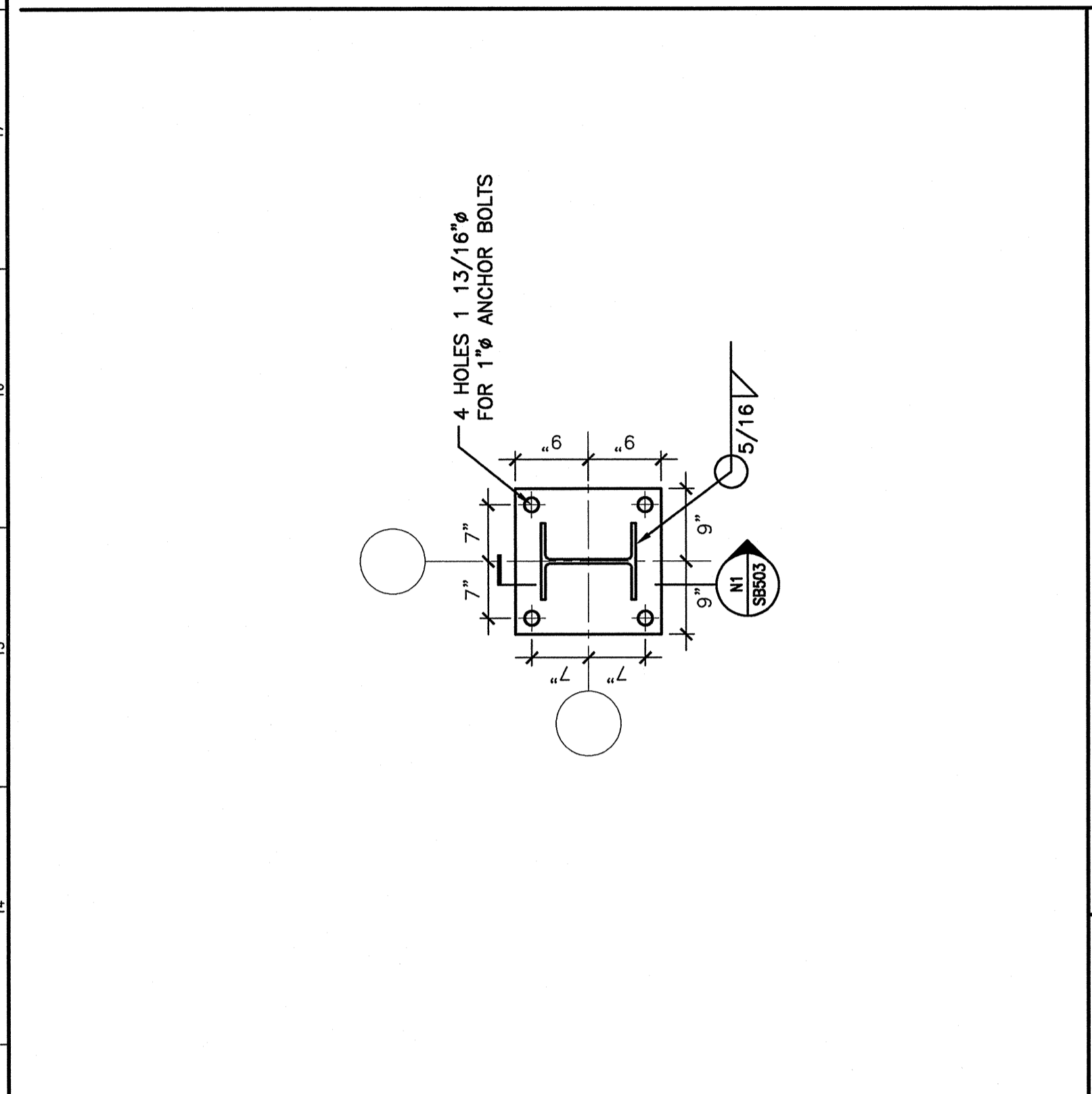
| | | | | | | | |
|------------|------------------------|------------|------------------------|------------|------------------------|------------|------------------------|
| M1 | BASE PLATE DETAIL BP-4 | M5 | BASE PLATE DETAIL BP-5 | M9 | BASE PLATE DETAIL BP-6 | M14 | BASE PLATE DETAIL BP-7 |
| 3/4"=1'-0" | | 3/4"=1'-0" | | 3/4"=1'-0" | | 3/4"=1'-0" | |



| | | | | | | | |
|------------|------------------------|------------|------------------------|------------|-------------------------|------------|-------------------------|
| F1 | BASE PLATE DETAIL BP-8 | F5 | BASE PLATE DETAIL BP-9 | F9 | BASE PLATE DETAIL BP-10 | F14 | BASE PLATE DETAIL BP-11 |
| 3/4"=1'-0" | | 3/4"=1'-0" | | 3/4"=1'-0" | | 3/4"=1'-0" | |



| | | | | | | | |
|------------|------------------------|------------|------------------------|------------|------------------------|------------|-------------------------|
| A1 | BASE PLATE DETAIL BP-1 | A5 | BASE PLATE DETAIL BP-2 | A9 | BASE PLATE DETAIL BP-3 | A14 | BASE PLATE DETAIL BP-12 |
| 3/4"=1'-0" | | 3/4"=1'-0" | | 3/4"=1'-0" | | 3/4"=1'-0" | |



| | | | |
|---|-------------|-----------------|-----------|
| ISSUED FOR CONSTRUCTION | 9-19-06 | | |
| DESCRIPTION | DATE | | |
| REV. | DATE | | |
| ISSUED FOR CONSTRUCTION | | | |
| 9-19-06 | | | |
| CURRENT ISSUE STATUS: | | | |
| | | | |
| SM RT ARCHITECTURE ENGINEERING PLANNING SUITE 144 Fore Street P.O. Box 618 Portland, Maine 04104 tel. (207) 772-3846 fax. (207) 772-0793 | | | |
| PROJECT: MERCY HOSPITAL AT FORE RIVER PROJECT 2 | | | |
| LOCATION: _____ | | | |
| BASE PLATE SECTIONS & DETAILS | | | |
| SHEET TITLE: | AS NOTED | DATE: | 9-19-06 |
| SCALE: | ELB | GRAPHIC SCALE: | 1"=1'-0" |
| PROJECT MANAGER: | AFB | JOB CAP/DRAWN: | AFB |
| DATE OF RECORD: | JSW | SIZE OF RECORD: | 11" X 17" |
| SMART CAD FILE: | SF602-05034 | SHEET No.: | SF602 |
| PROJECT No.: | 05034 | | |