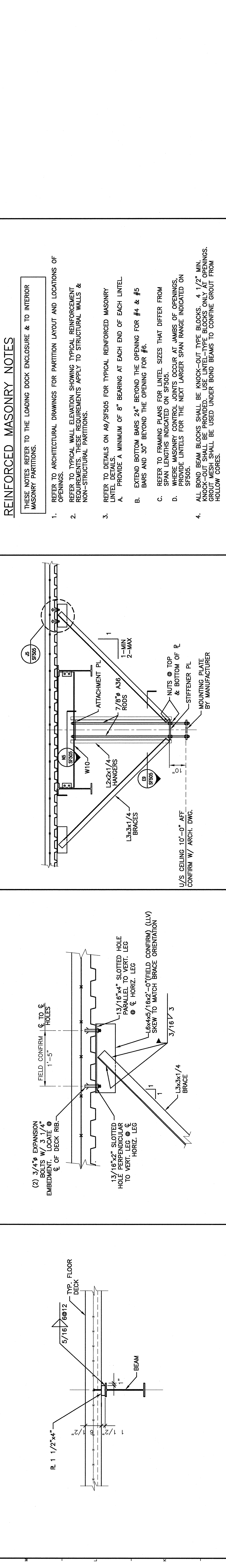
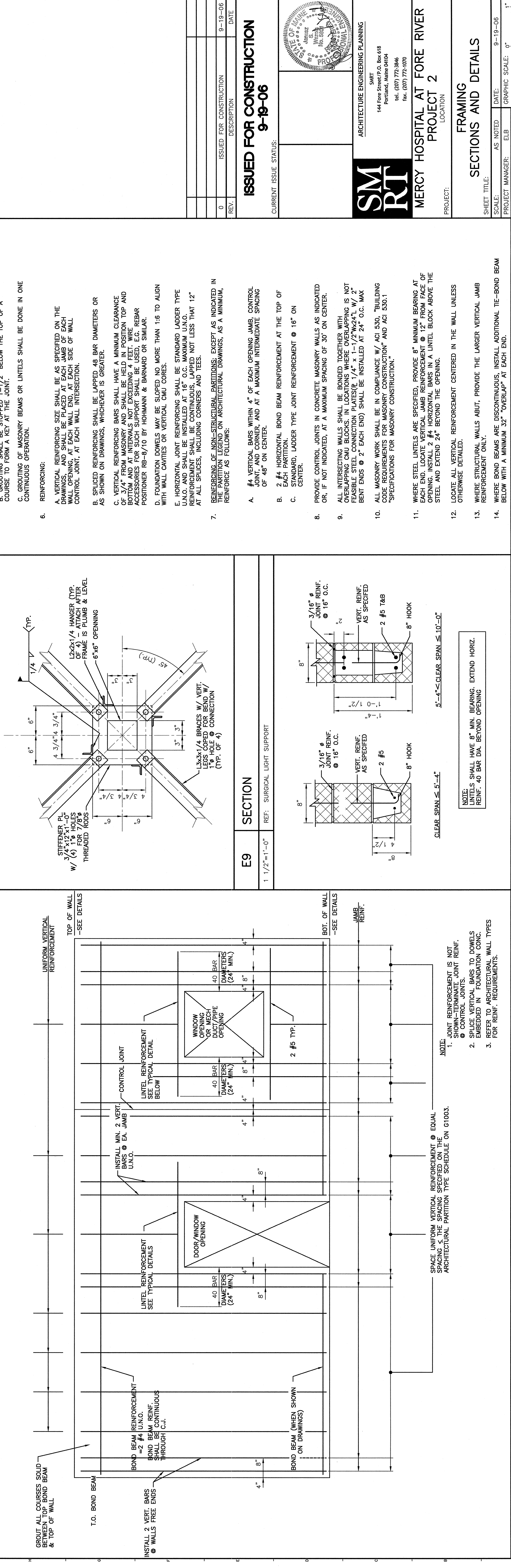


N1	SECTION	3/4"=1'-0"	REF: SF101
N5	SECTION	1 1/2"=1'-0"	REF: SURGICAL LIGHT SUPPORT
N9	TY. SURGICAL LIGHT SUPPORT PLAN	1/2"=1'-0"	
N14	SECTION	1 1/2"=1'-0"	



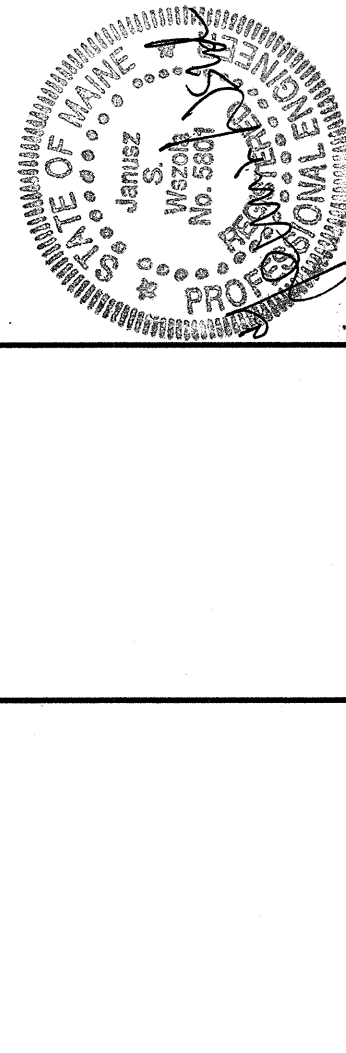
J1	SECTION @ MRI AREA	3/4"=1'-0"	REF: SF101
J5	DETAIL	1"=1'-0"	REF: SURGICAL LIGHT SUPPORT
J9	SECTION	1/2"=1'-0"	REF: SURGICAL LIGHT SUPPORT
E9	SECTION	1 1/2"=1'-0"	REF: SURGICAL LIGHT SUPPORT



A1	TYPICAL MASONRY WALL/PARTITION REINFORCEMENT ELEVATION	1/2"=1'-0"	
A9	TYPICAL MASONRY LINTEL DETAILS	1 1/2"=1'-0"	
A14	SECTION	1 1/2"=1'-0"	

REV.	DESCRIPTION	DATE
0	ISSUED FOR CONSTRUCTION	9-19-06

ISSUED FOR CONSTRUCTION
9-19-06



S.M. RT
ARCHITECTURE ENGINEERING PLANNING
144 Fore Street, P.O. Box 618
Portland, Maine 04104
tel. (207) 772-8486
fax. (207) 772-0070

MERCY HOSPITAL AT FORE RIVER
PROJECT 2
LOCATION

SECTIONS AND DETAILS

SHEET TITLE:	AS NOTED	DATE:	9-19-06
SCALE:	GRAPHIC SCALE:	1" = 1'-0"	
JOB CAP/DRWING:	ELB	PROJECT MANAGER:	AFB
A/E OF RECORD:	JSW	DATE OF RECORD:	9-19-06
PROJECT No.:	SF505-00034	PROJECT No.:	00034
PROJECT No.:		00034	