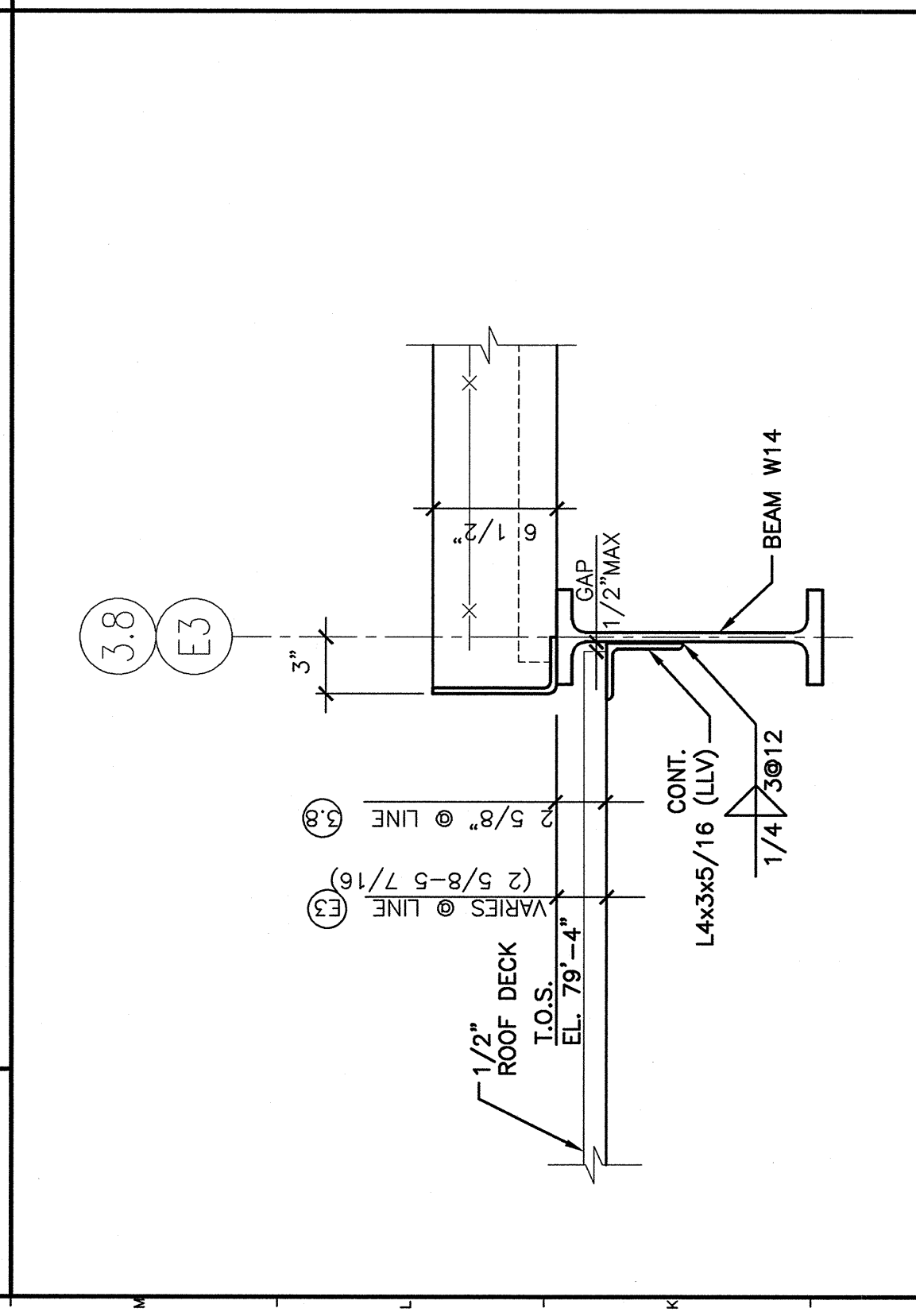
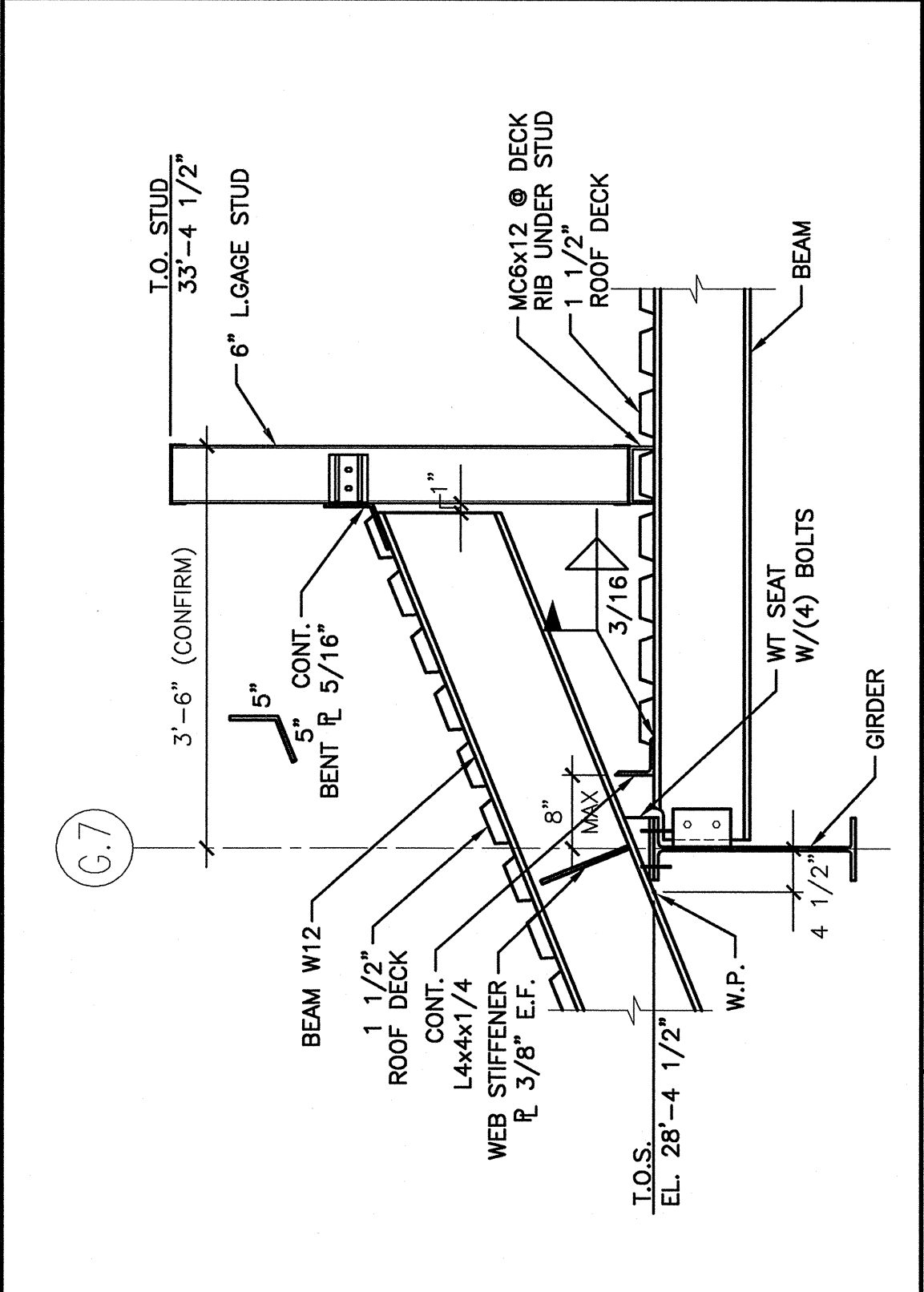


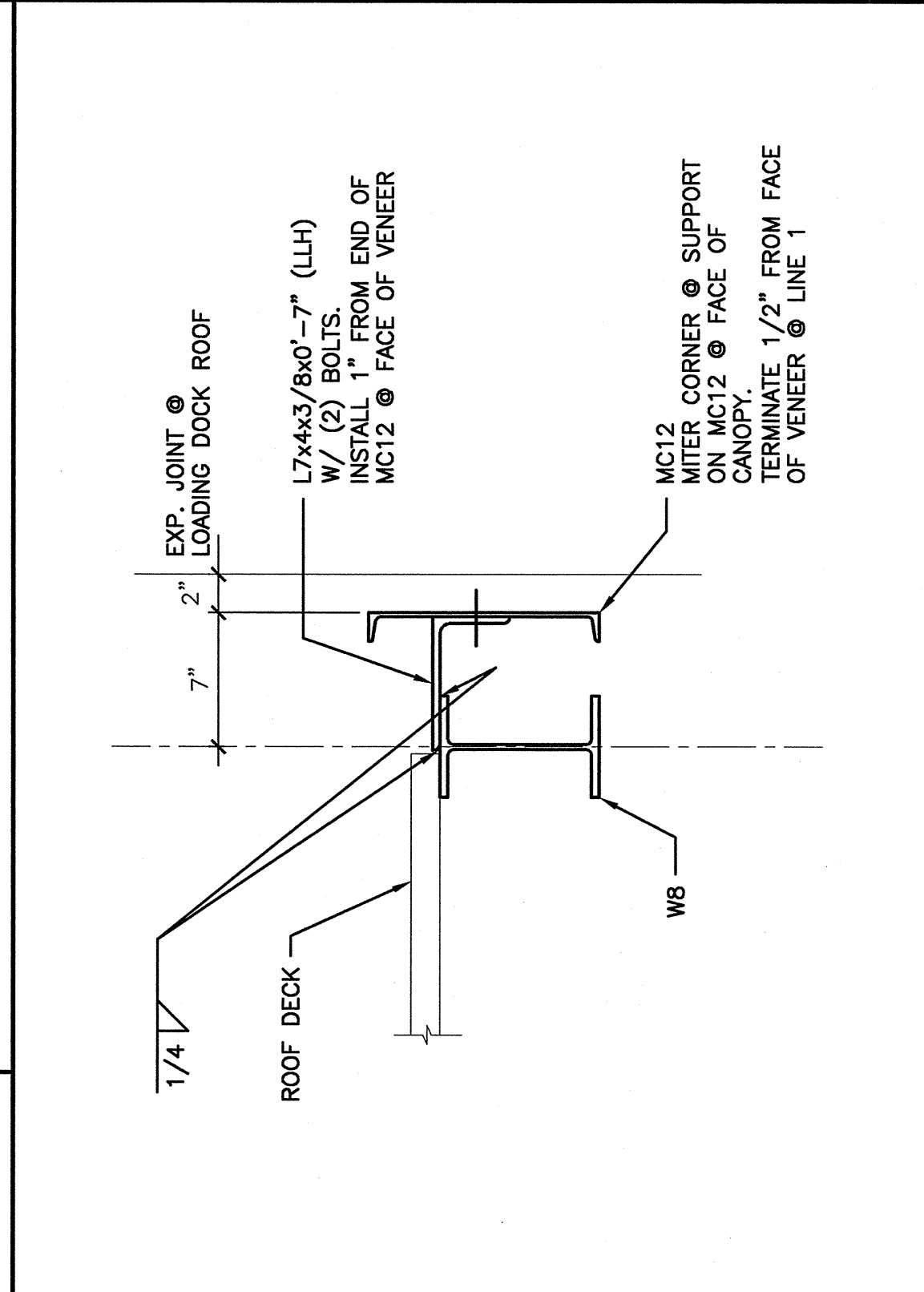
N1 SECTION @ ELEVATOR ROOF
 REF: A6/SF106



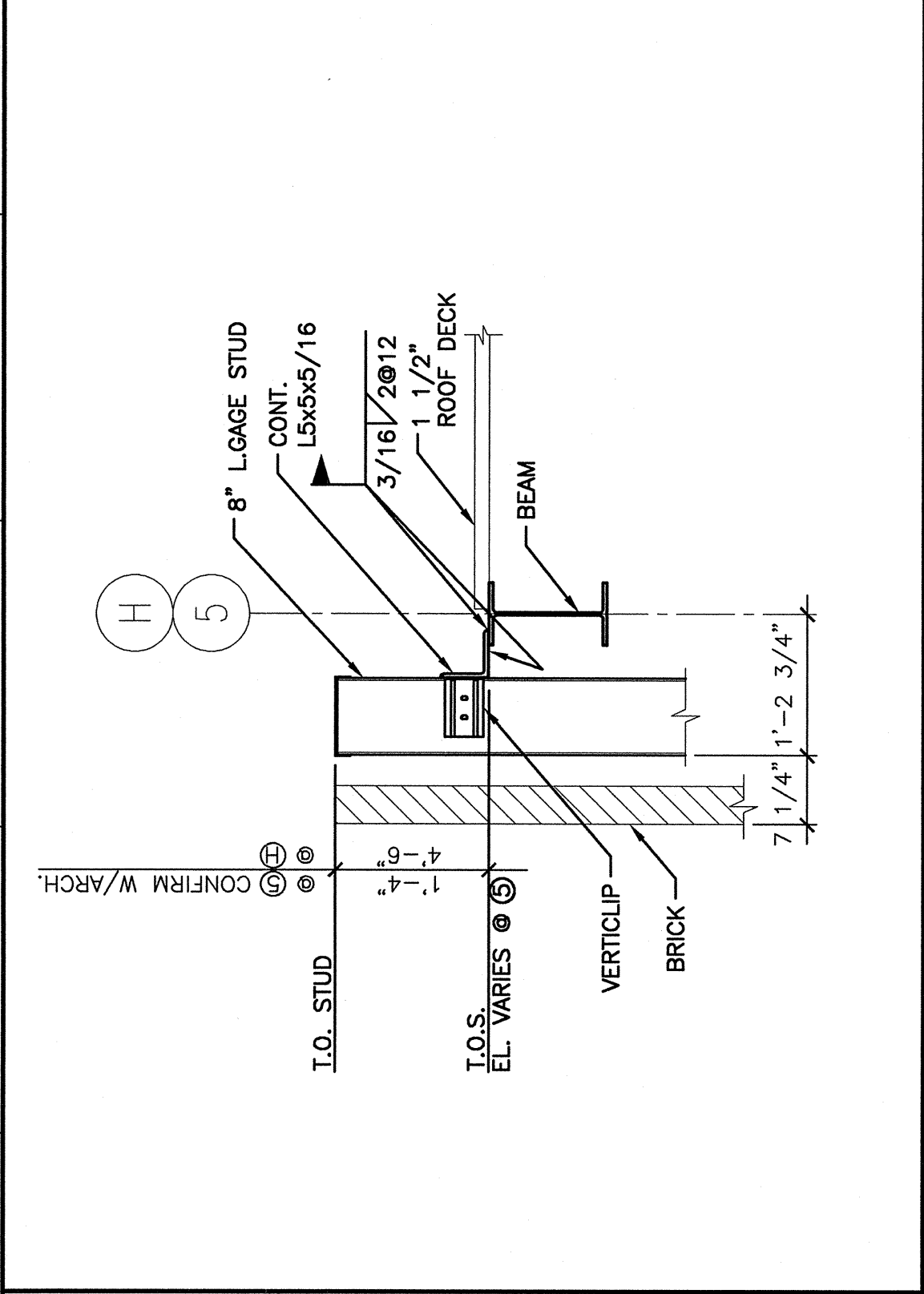
J1 SECTION @ ELEVATOR
 REF:



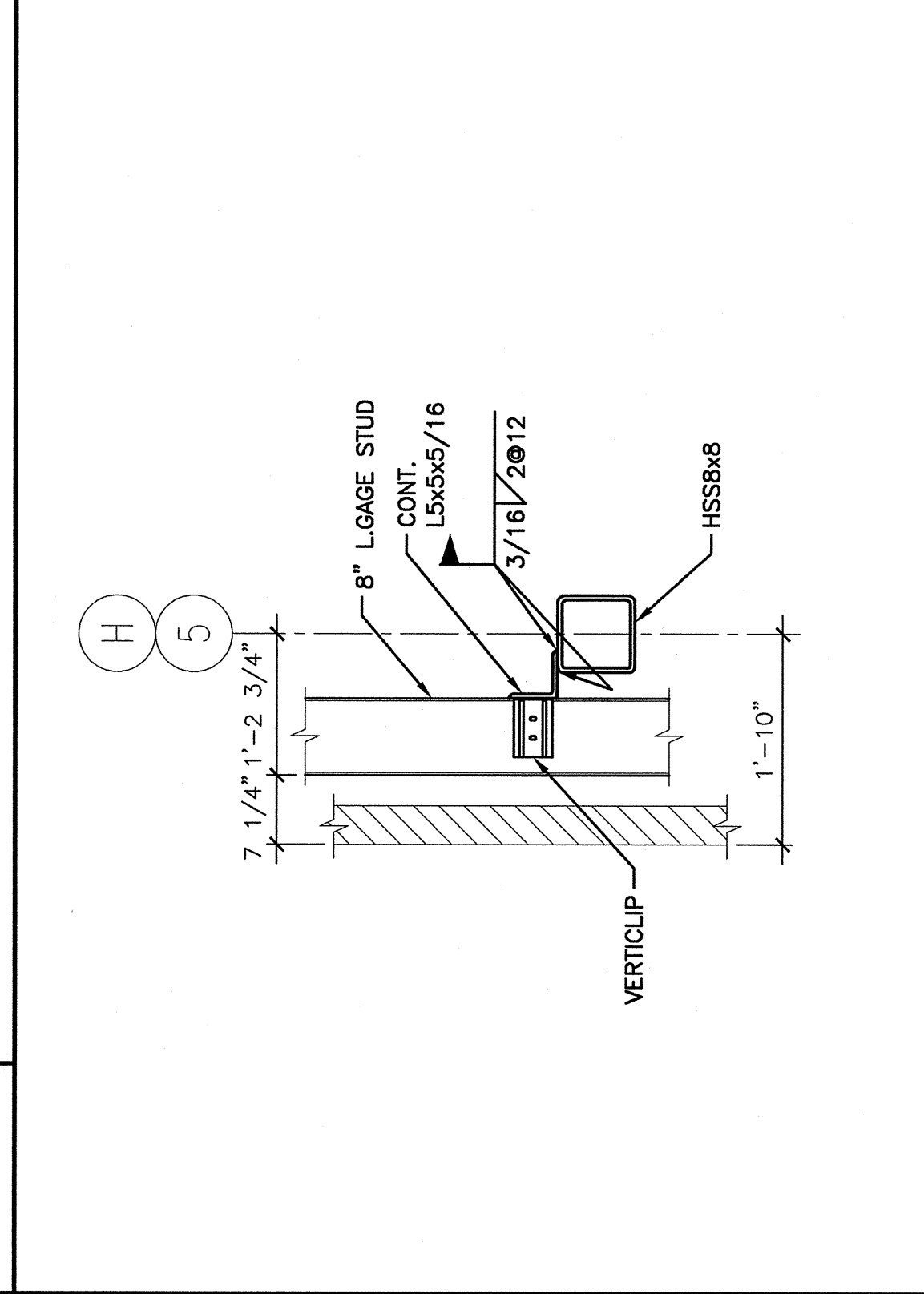
N5 SECTION @ ROOF
 (CHAPEL)



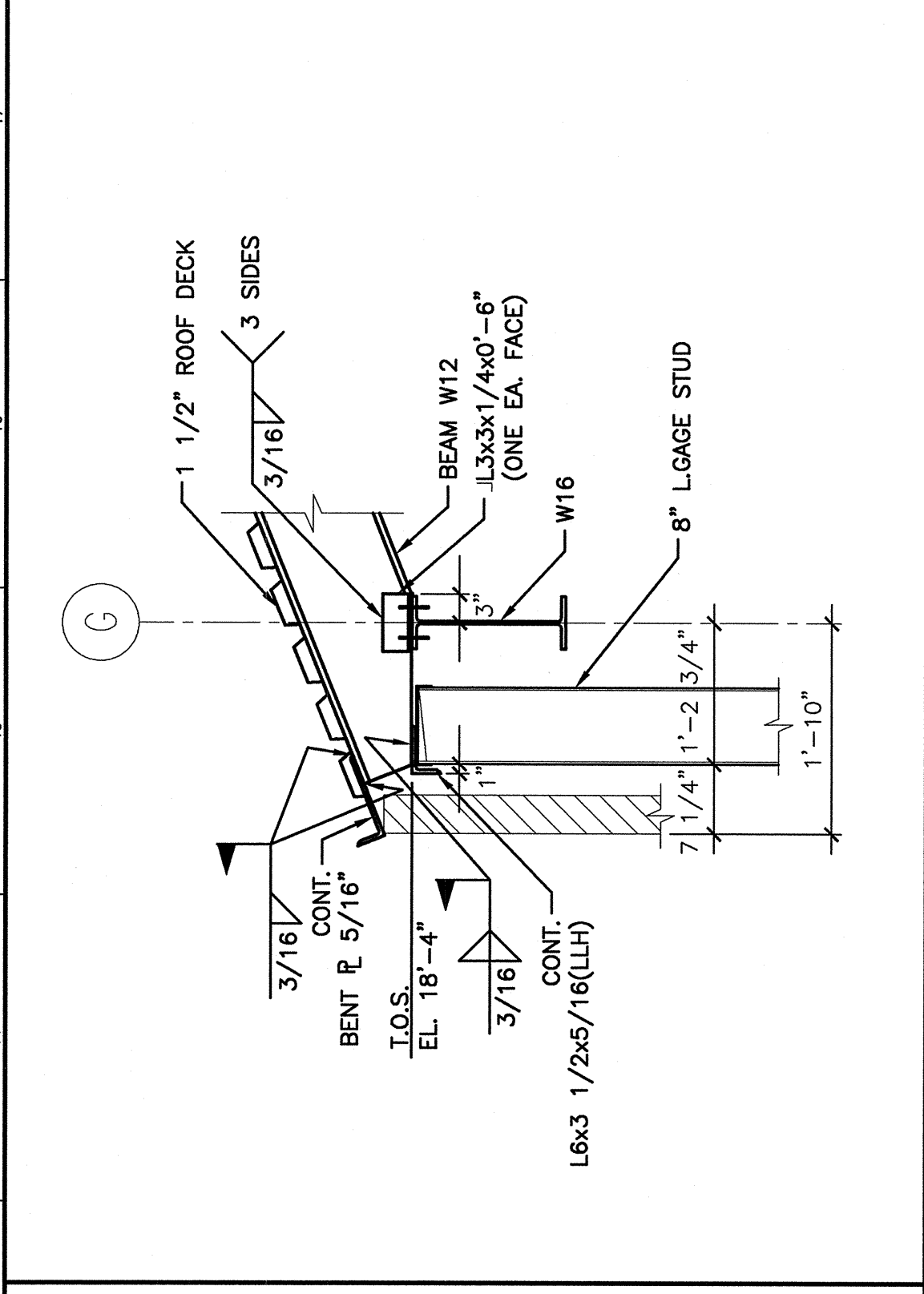
J5 TYP. DETAIL @ CANOPY END



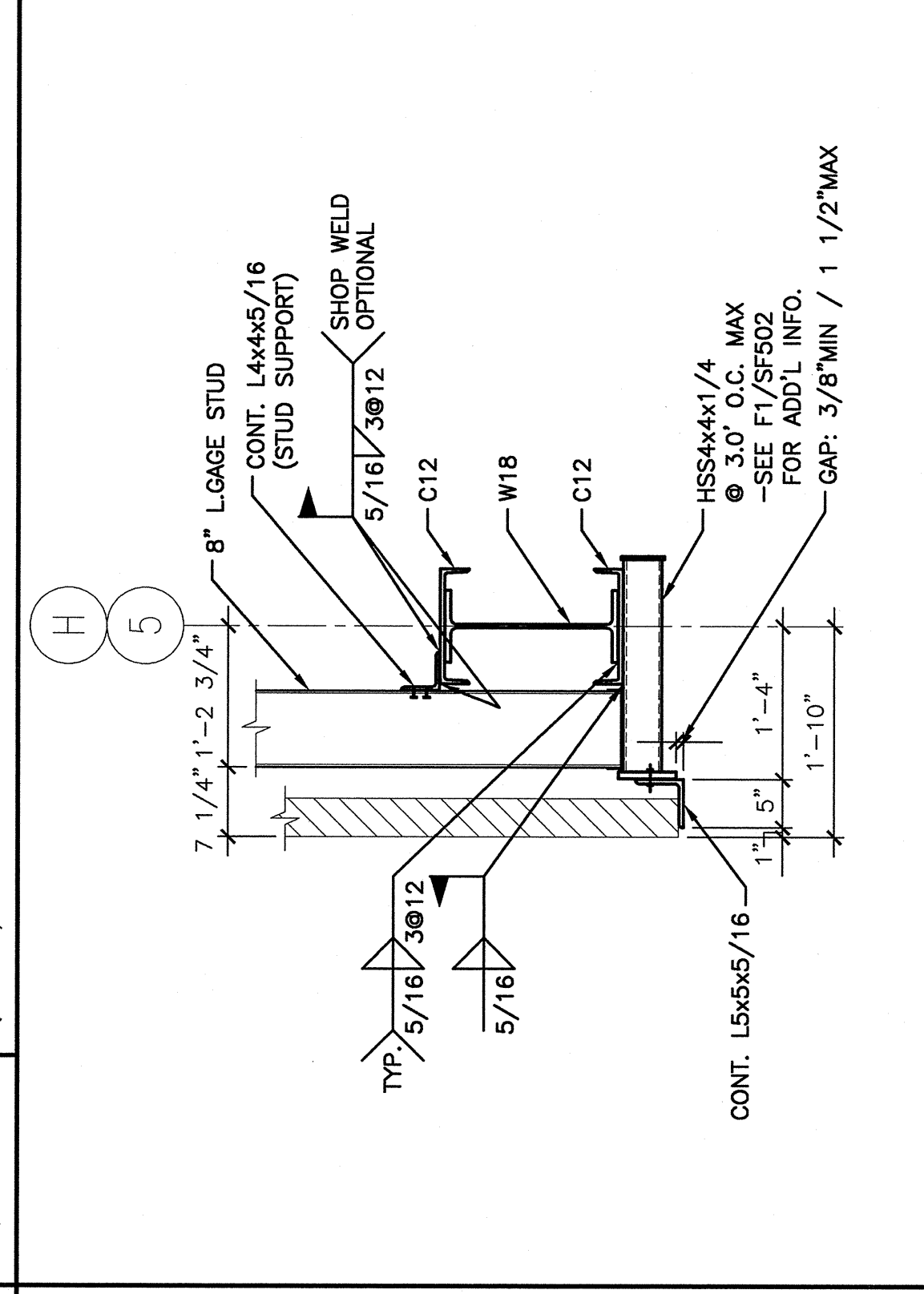
N9 SECTION @ ROOF
 (CHAPEL)



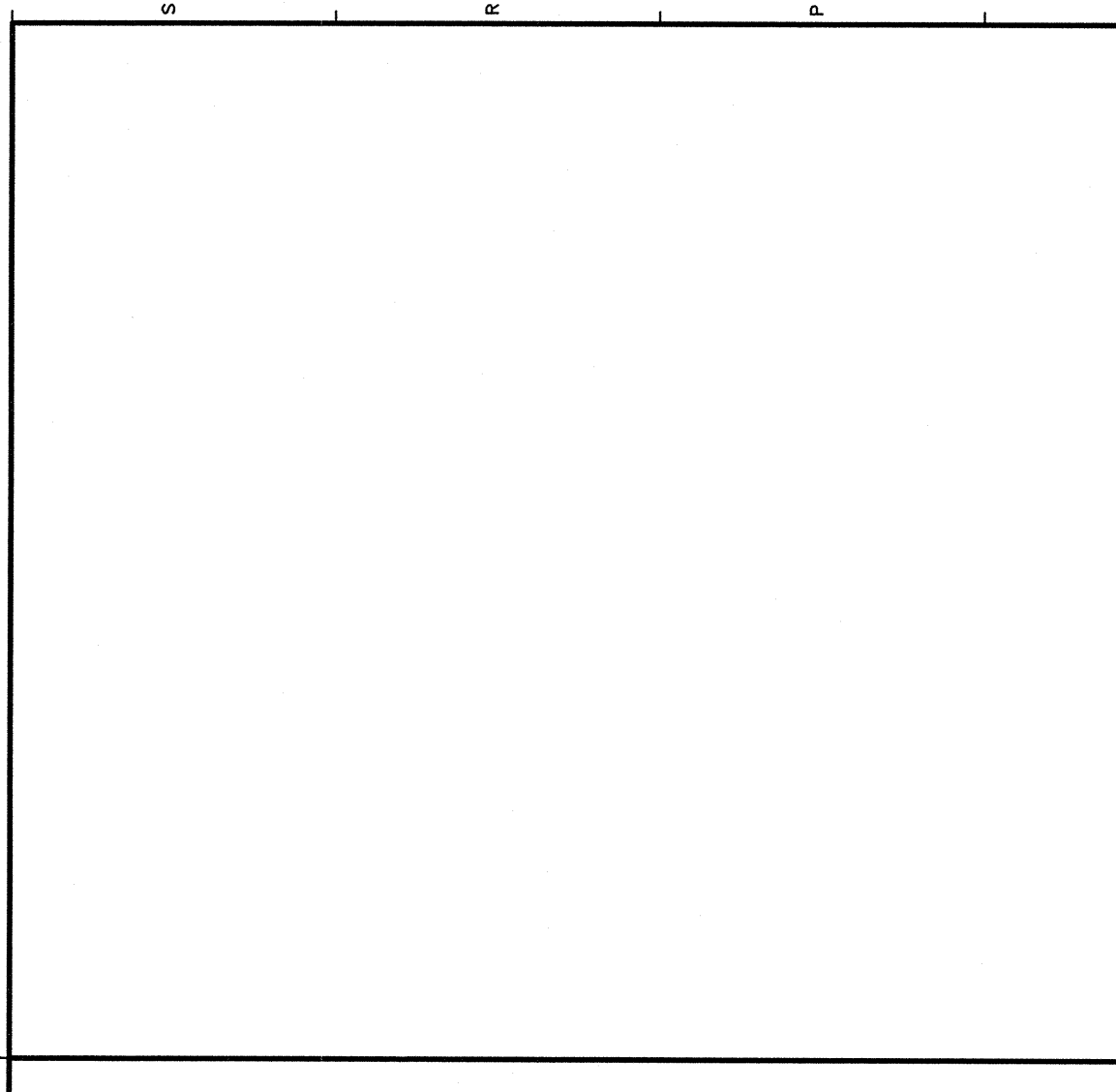
J9 SECTION @ GIRT
 (CHAPEL)



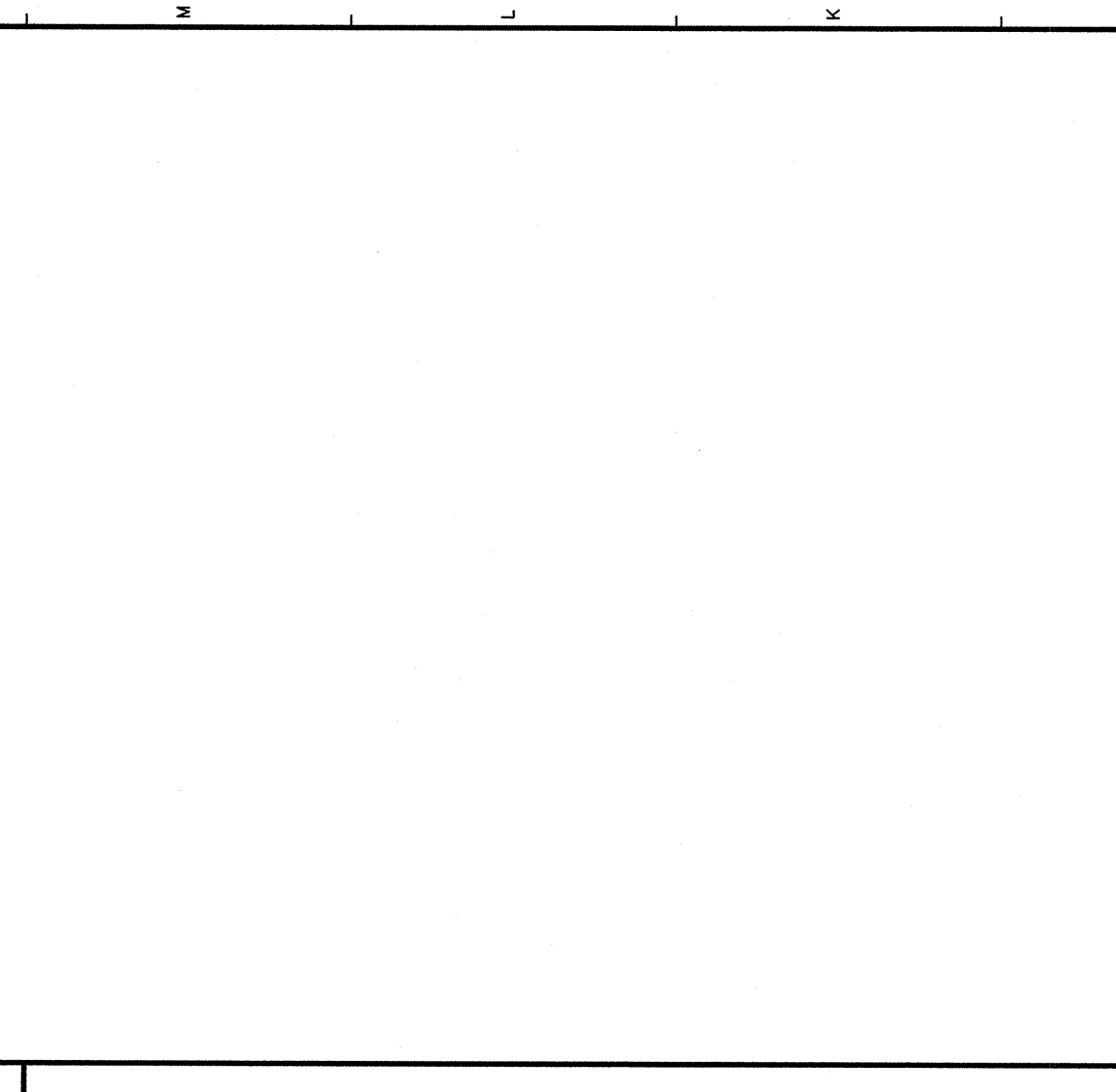
N14 SECTION
 (CHAPEL)



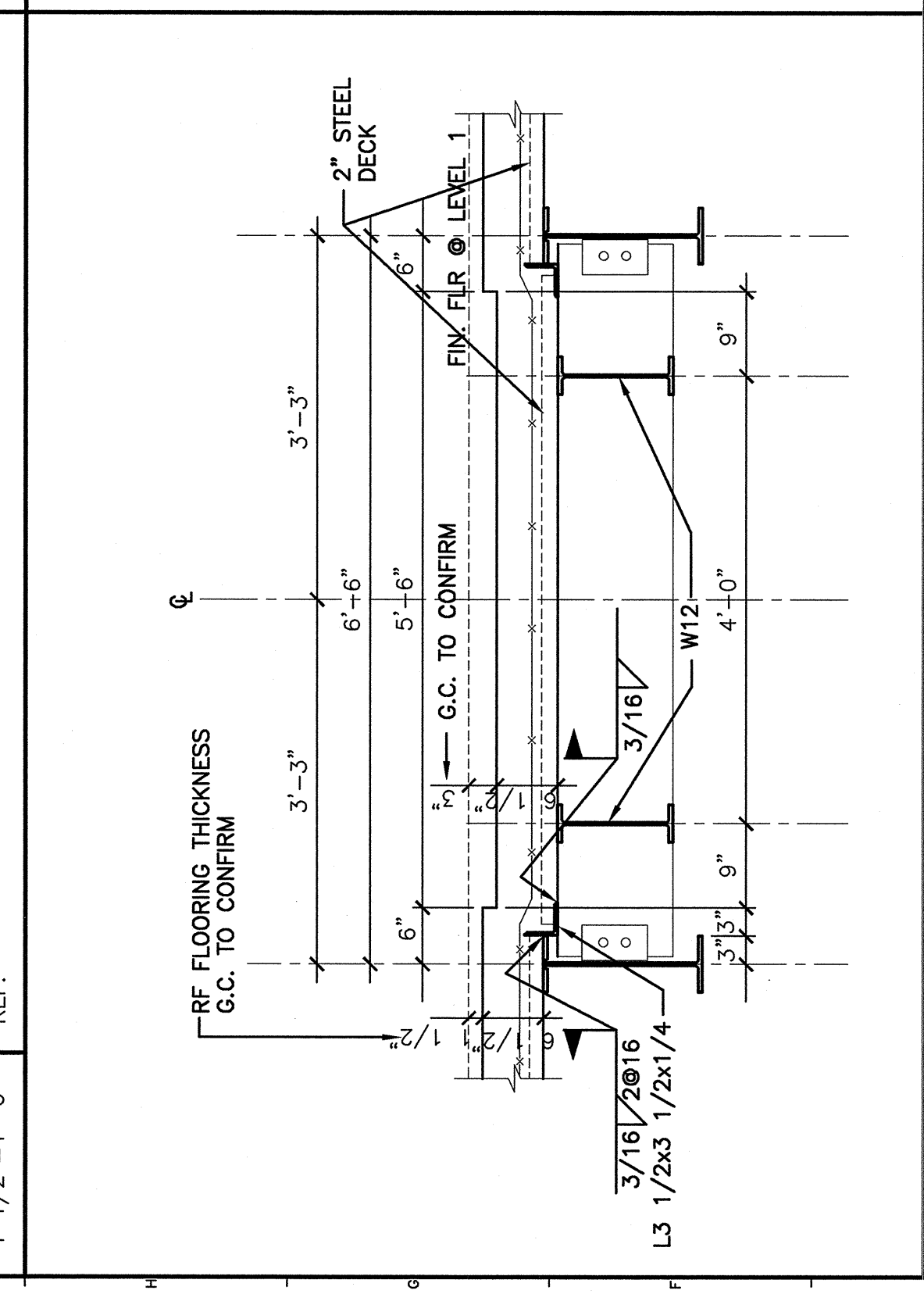
J14 SECTION @ CORNER WINDOW
 (CHAPEL)



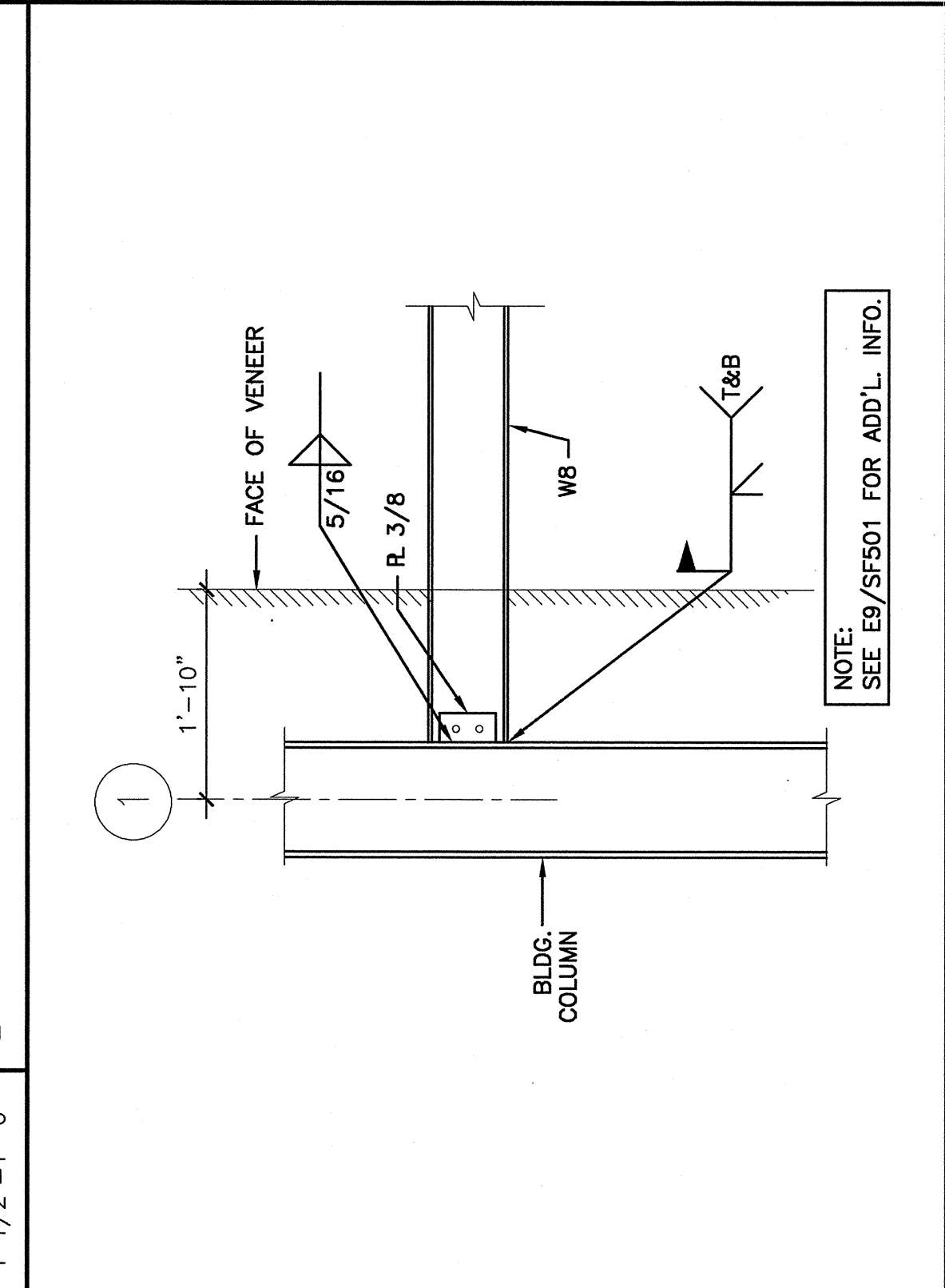
E14 TYP. SECTION @ LOADING DOCK



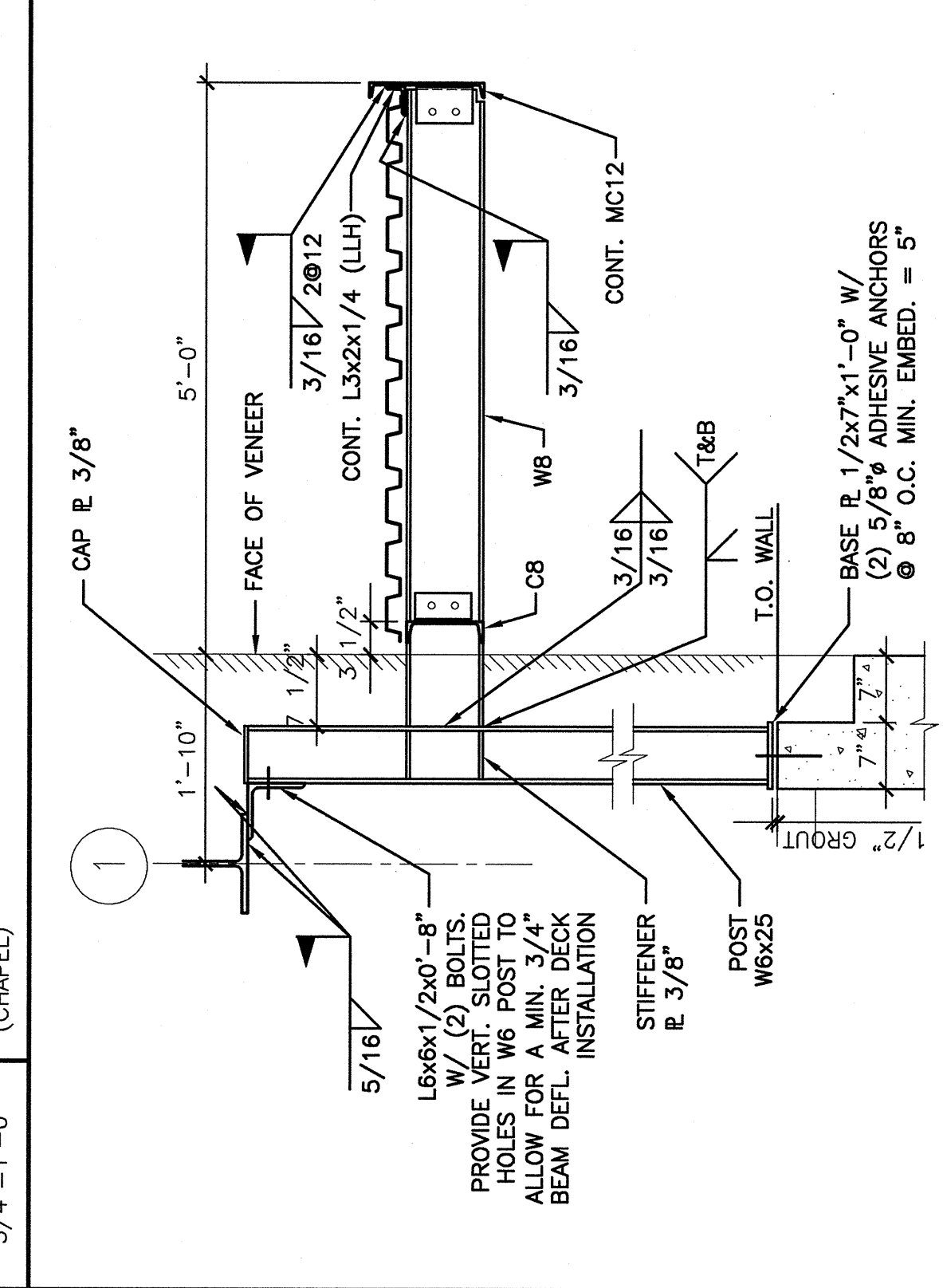
A9 SECTION @ COOLER



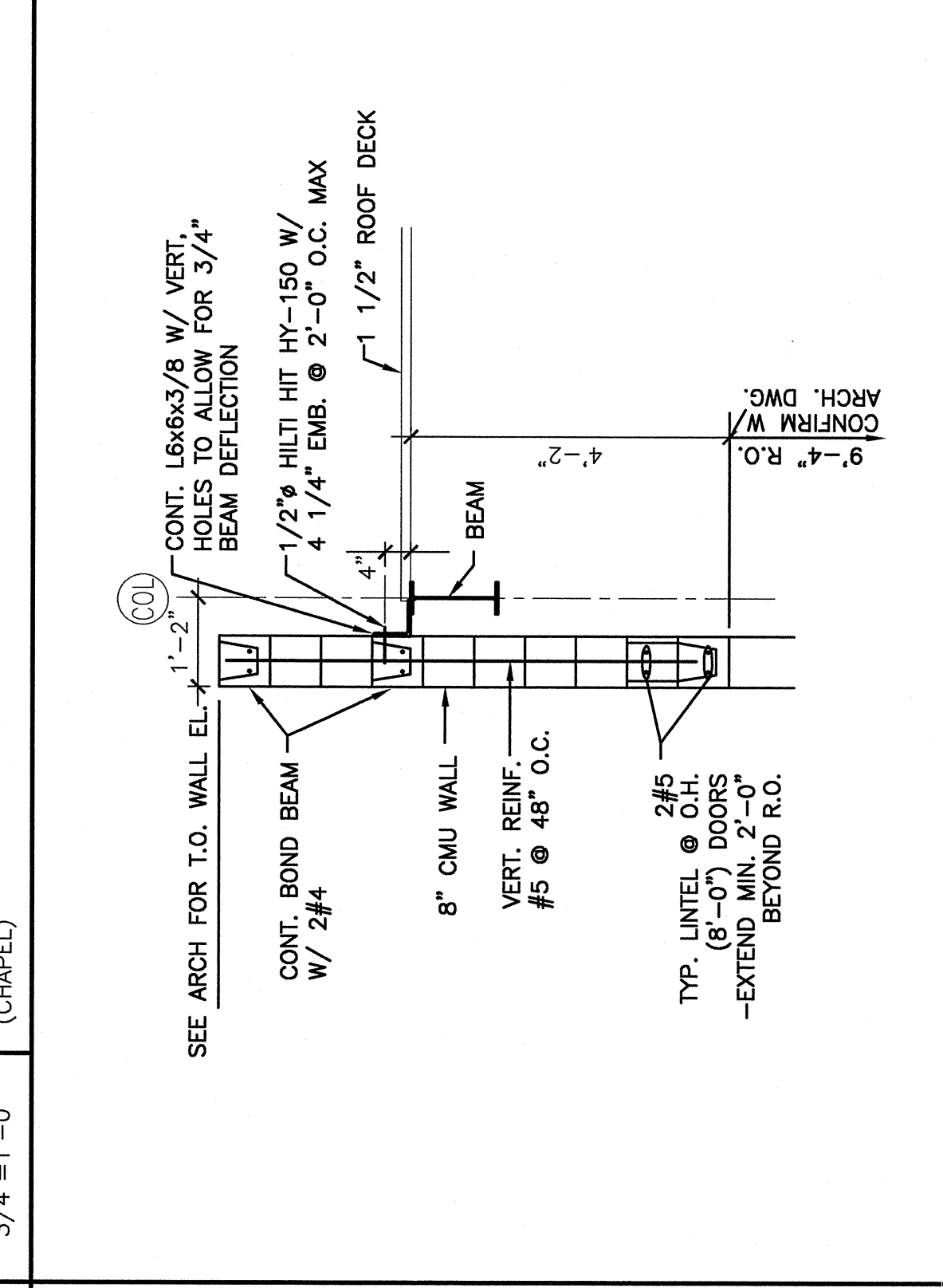
E1 SECTION @ MRI SUPPORT



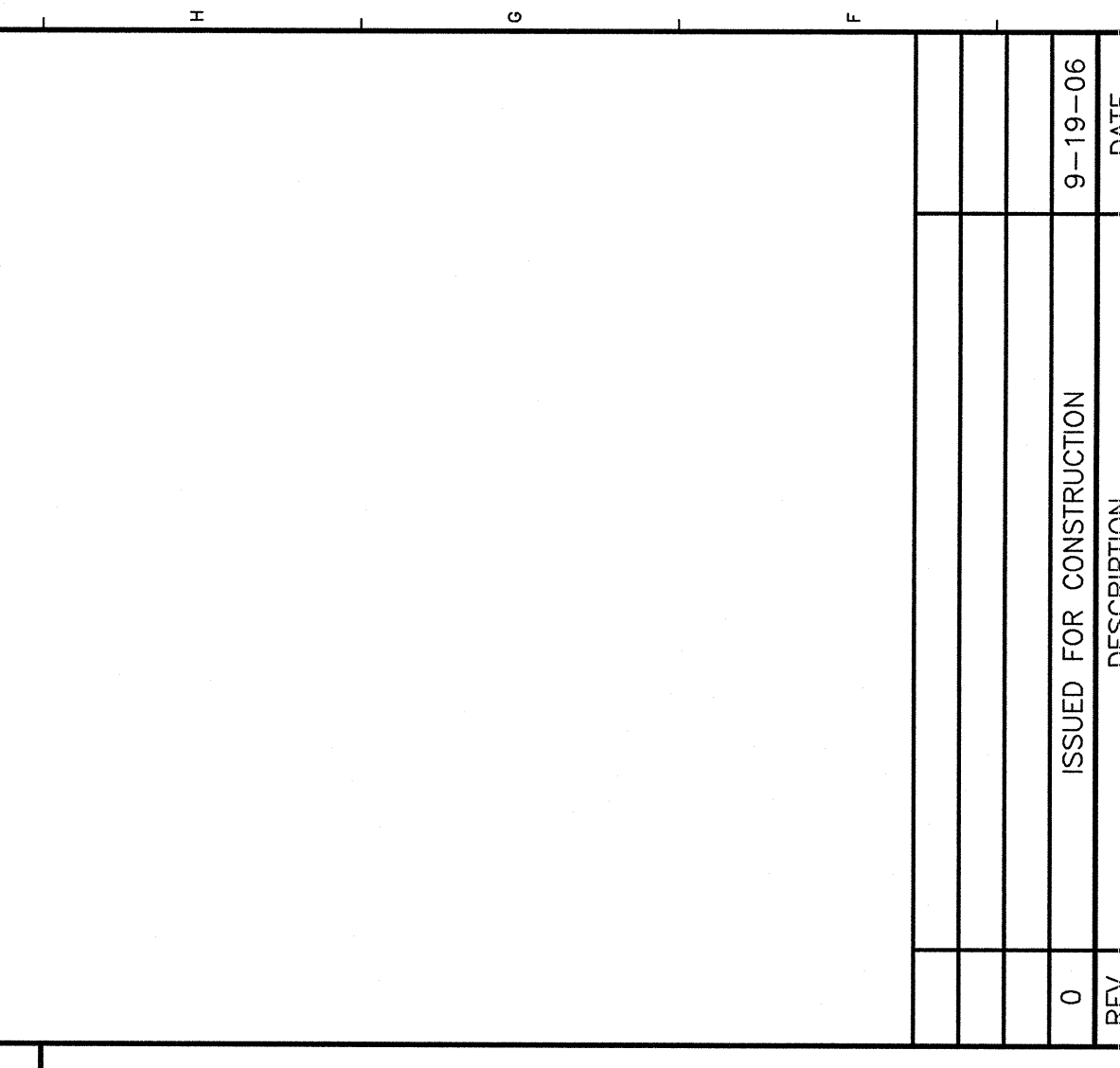
E5 SECTION



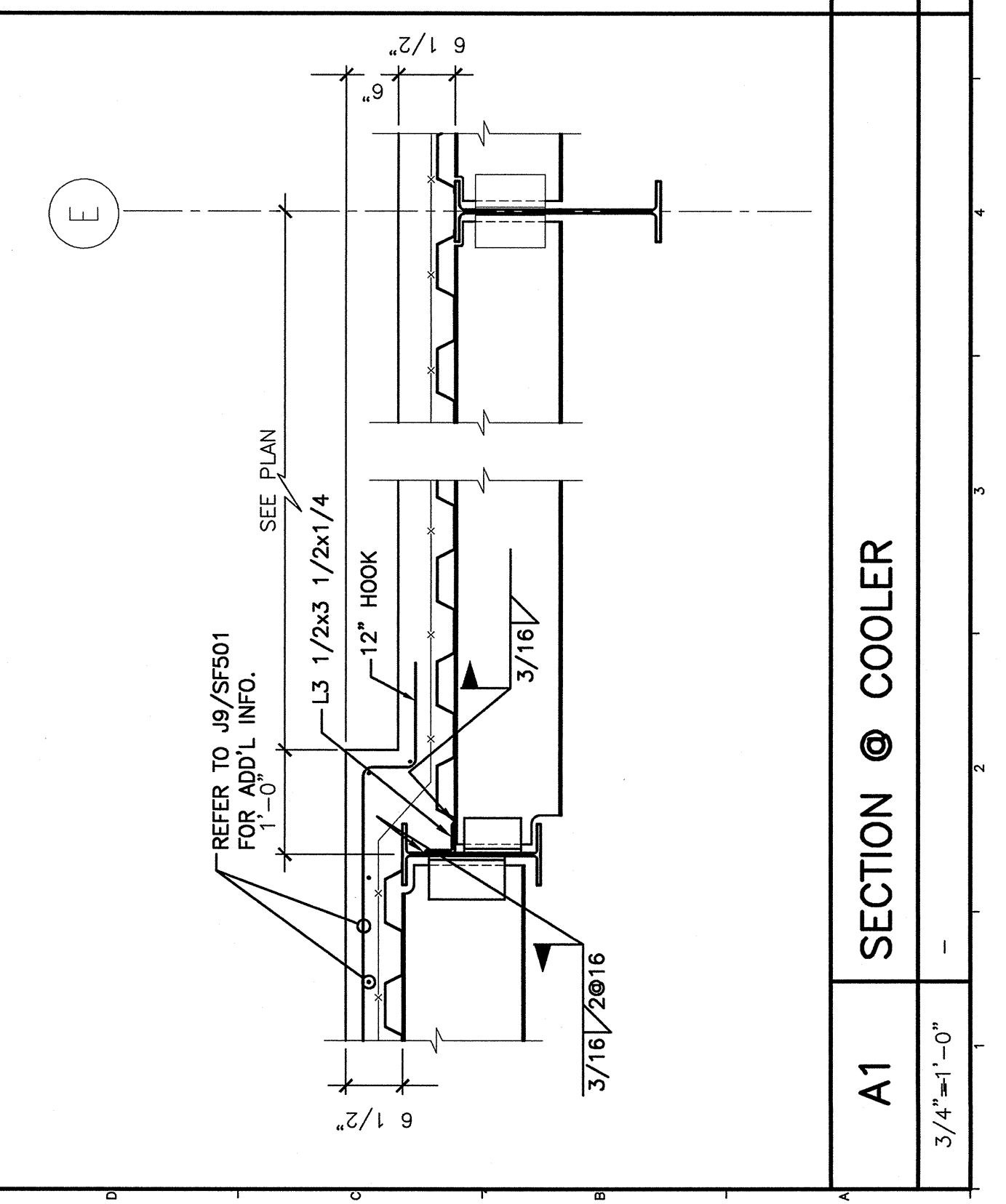
E9 SECTION



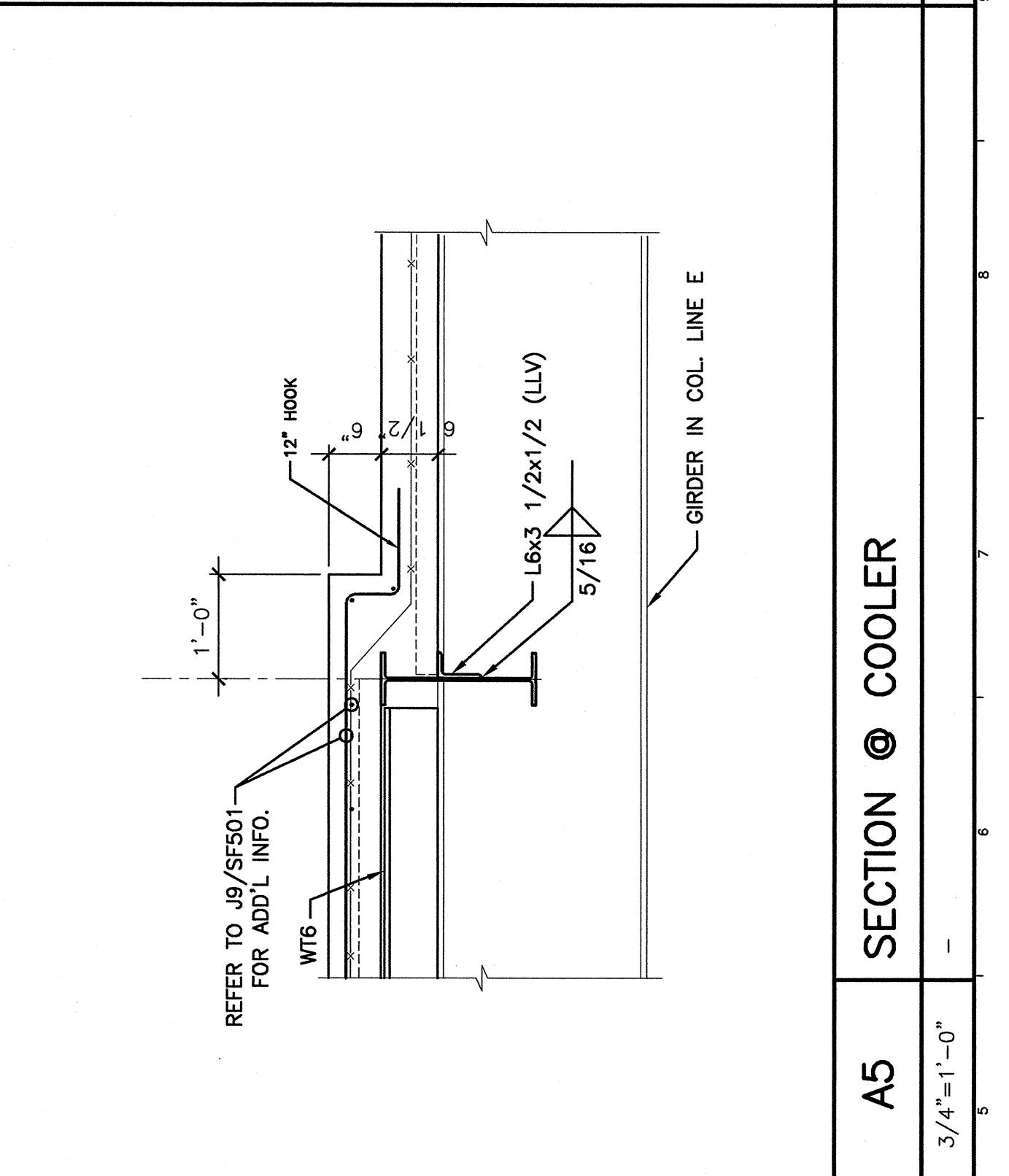
A5 SECTION @ COOLER



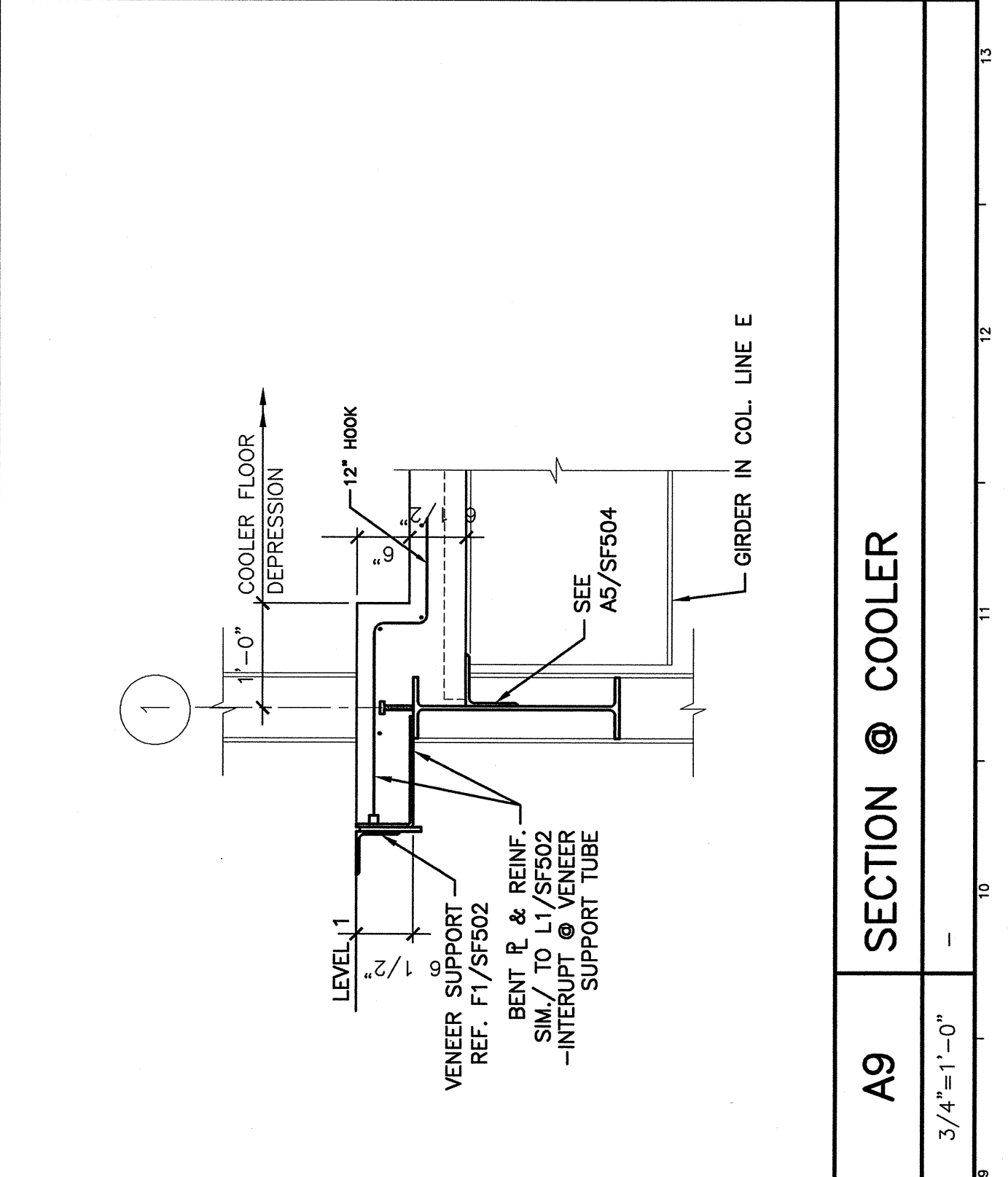
A14 TYP. SECTION @ ROOF VENT ENCLOSURE



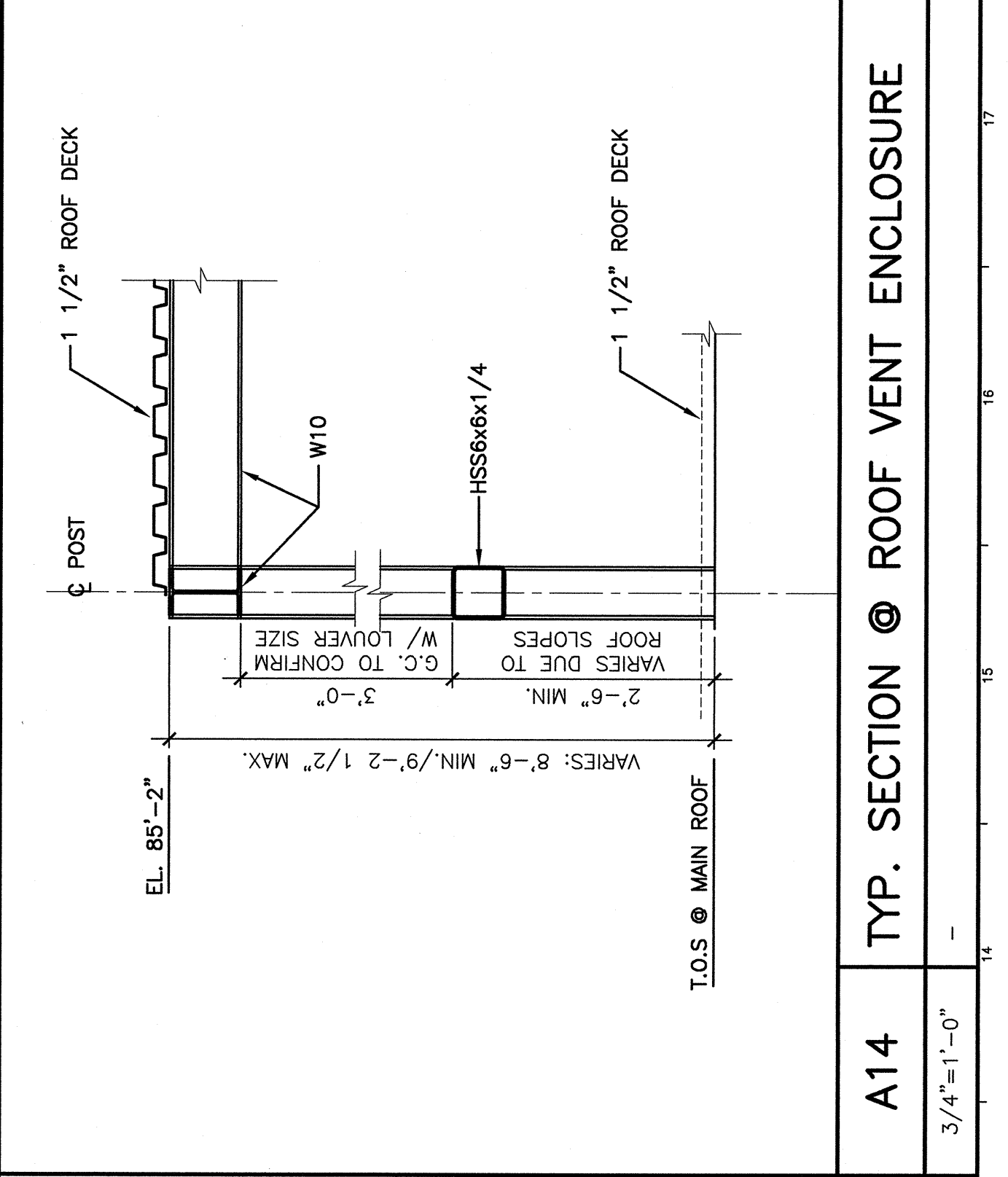
A1 SECTION @ COOLER



A5 SECTION @ COOLER




A9 SECTION @ COOLER



A14 SECTION @ COOLER

ISSUED FOR CONSTRUCTION
9-19-06


ARCHITECTURE ENGINEERING PLANNING
 14 Fore Street P.O. Box 618
 Portland, Maine 04104
 tel. (207) 772-3846
 fax. (207) 772-1070

MERCY HOSPITAL AT FORE RIVER
PROJECT 2
 LOCATION

FRAMING
SECTIONS AND DETAILS

SHEET TITLE: AS NOTED DATE: 9-19-06
 PROJECT MANAGER: ELB GRAPHIC SCALE: 1"=4'-0"
 JOB CAP/DRAWN: HCC
 A/E OF RECORD: JSW
 SMART CAD FILE: SF504-05034
 PROJECT No. 05034

SF504