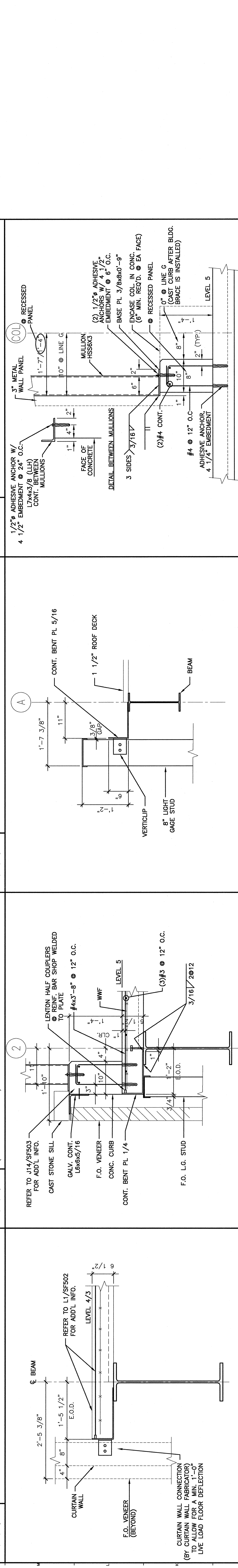
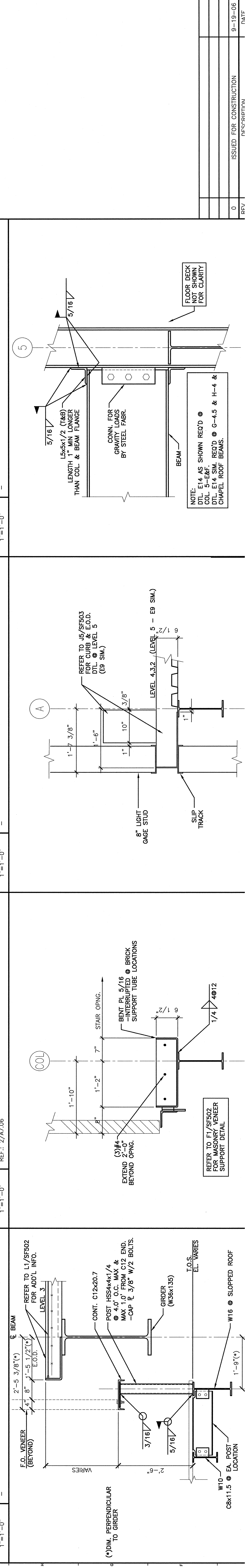


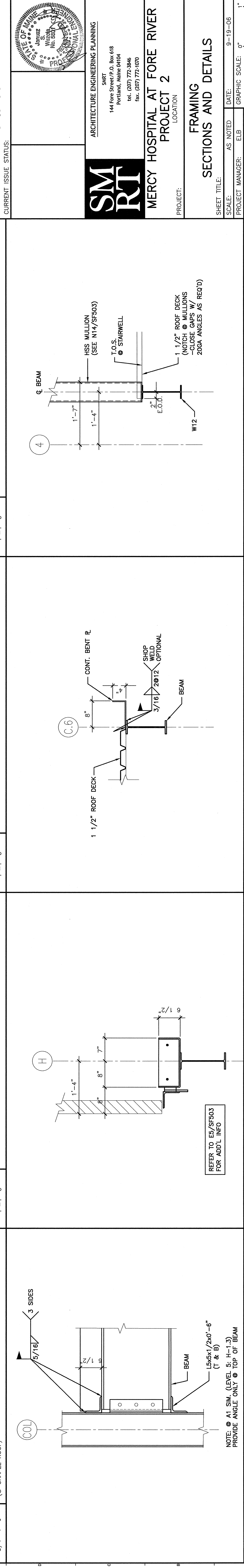
N1 SECTION @ DIAGONAL WALL
1"=1'-0"



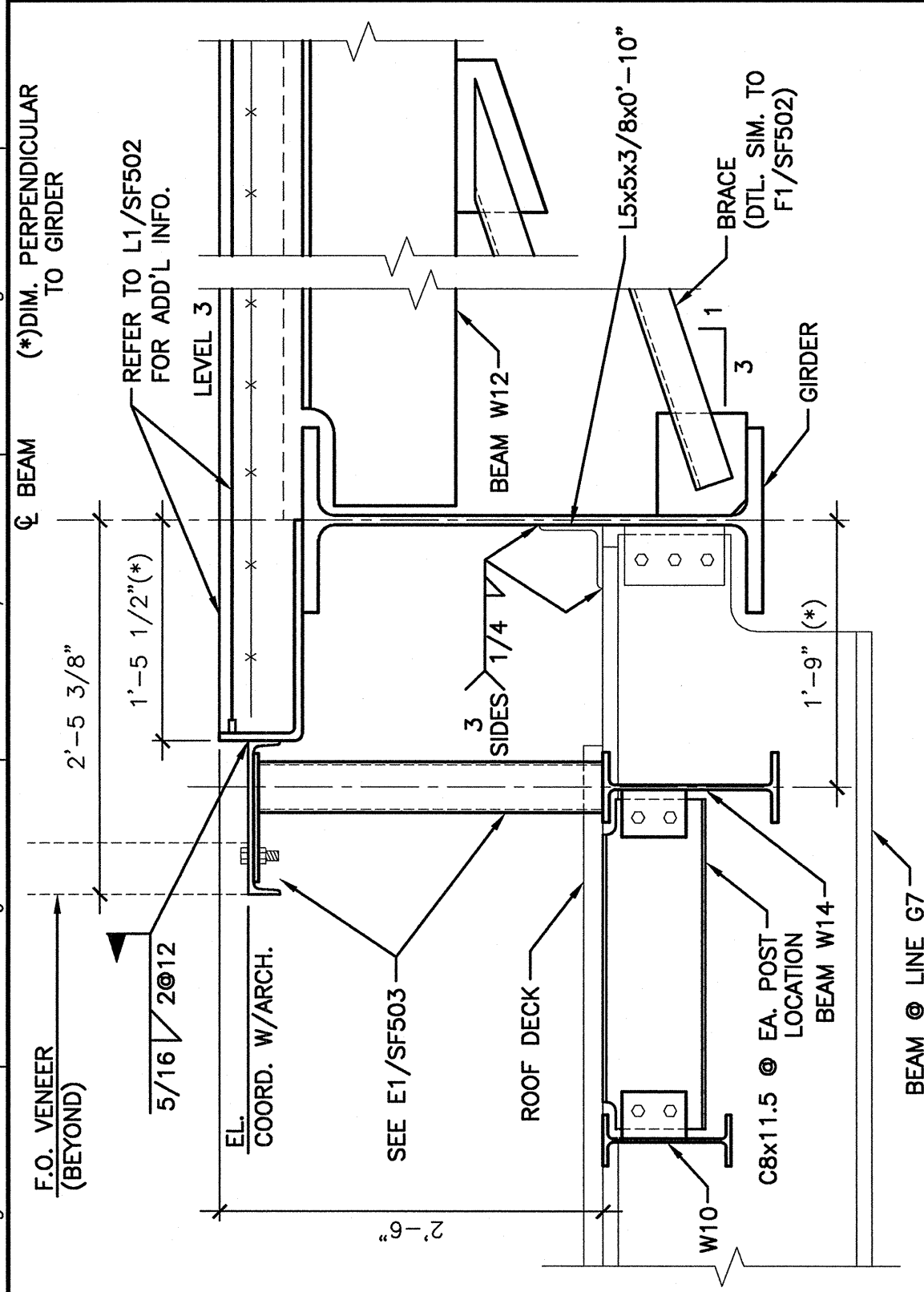
N5 SECTION @ DIAGONAL WALL
1"=1'-0"



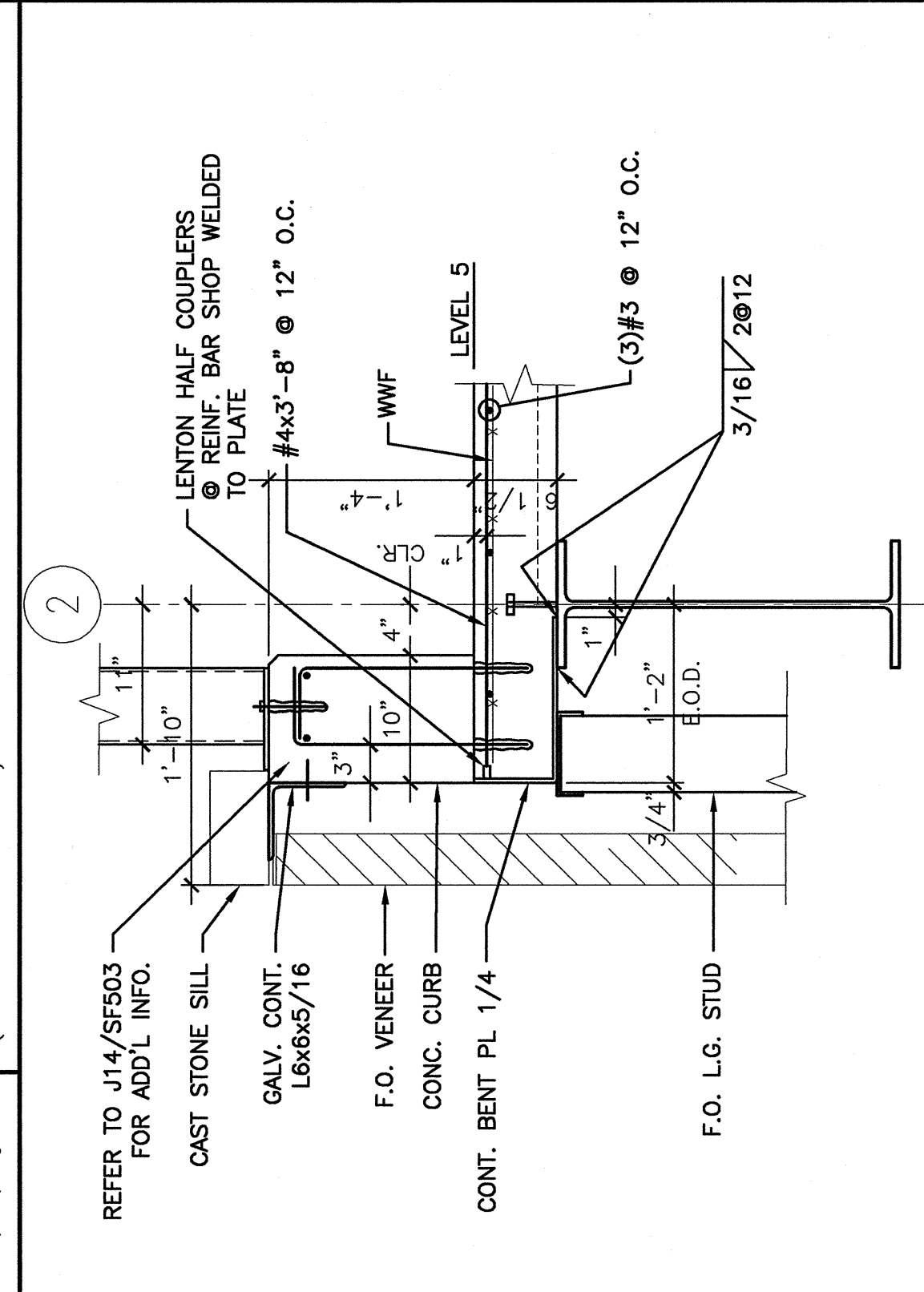
J1 SECTION @ DIAGONAL WALL
1"=1'-0"



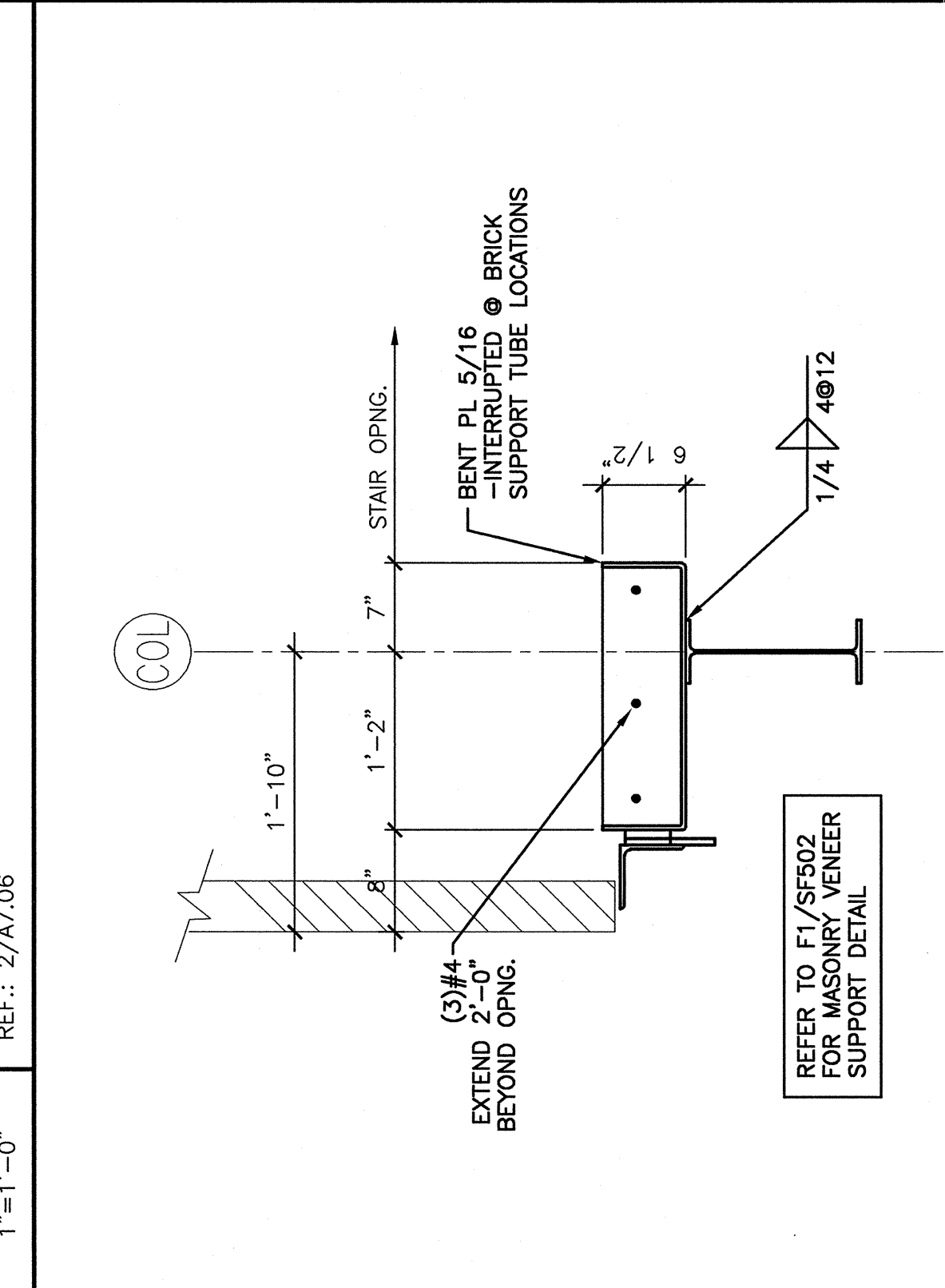
E1 SECTION @ DIAGONAL WALL
3/4"=1'-0" (@ CHAPEL ROOF)



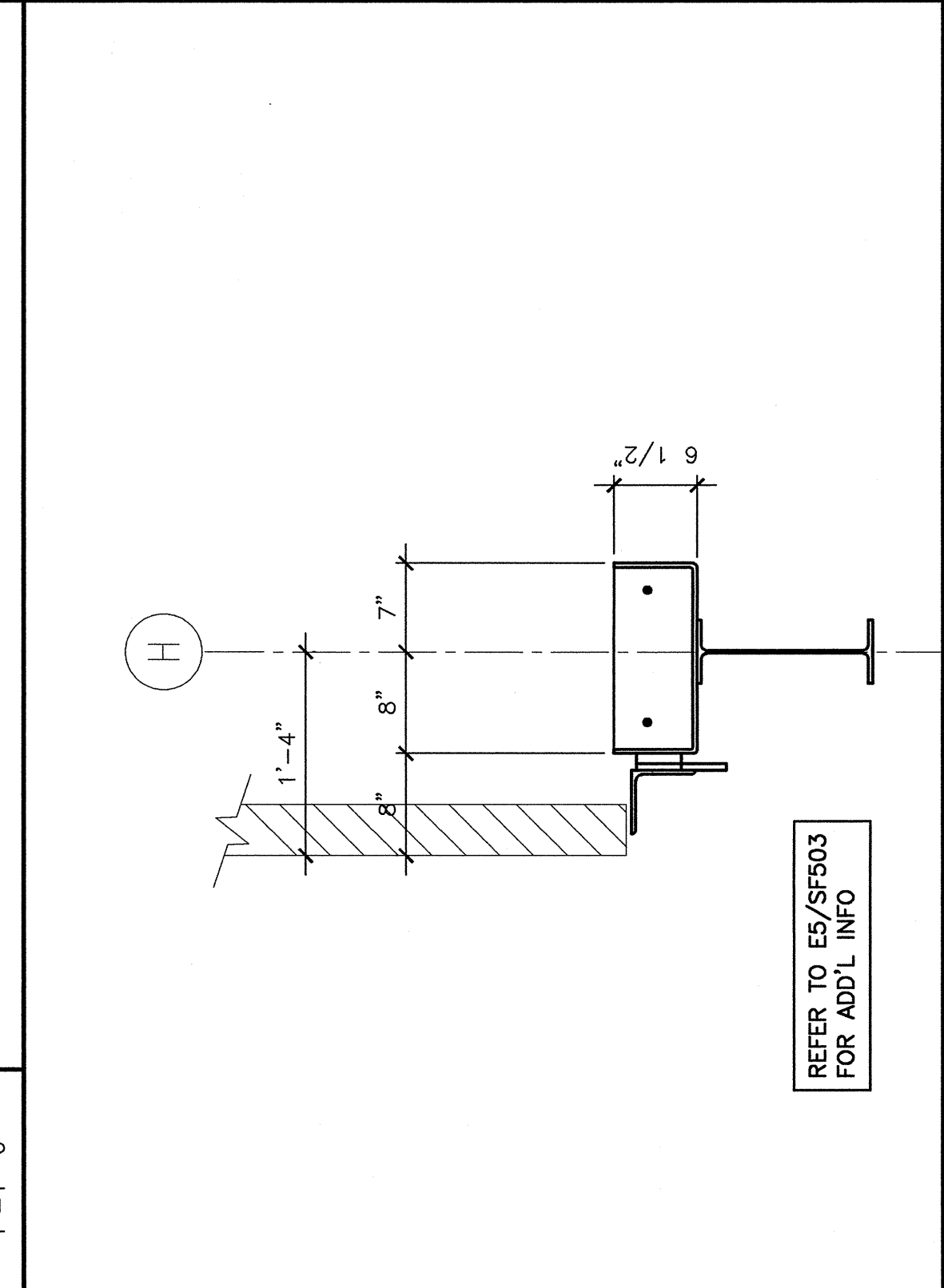
N9 SECTION
1"=1'-0"



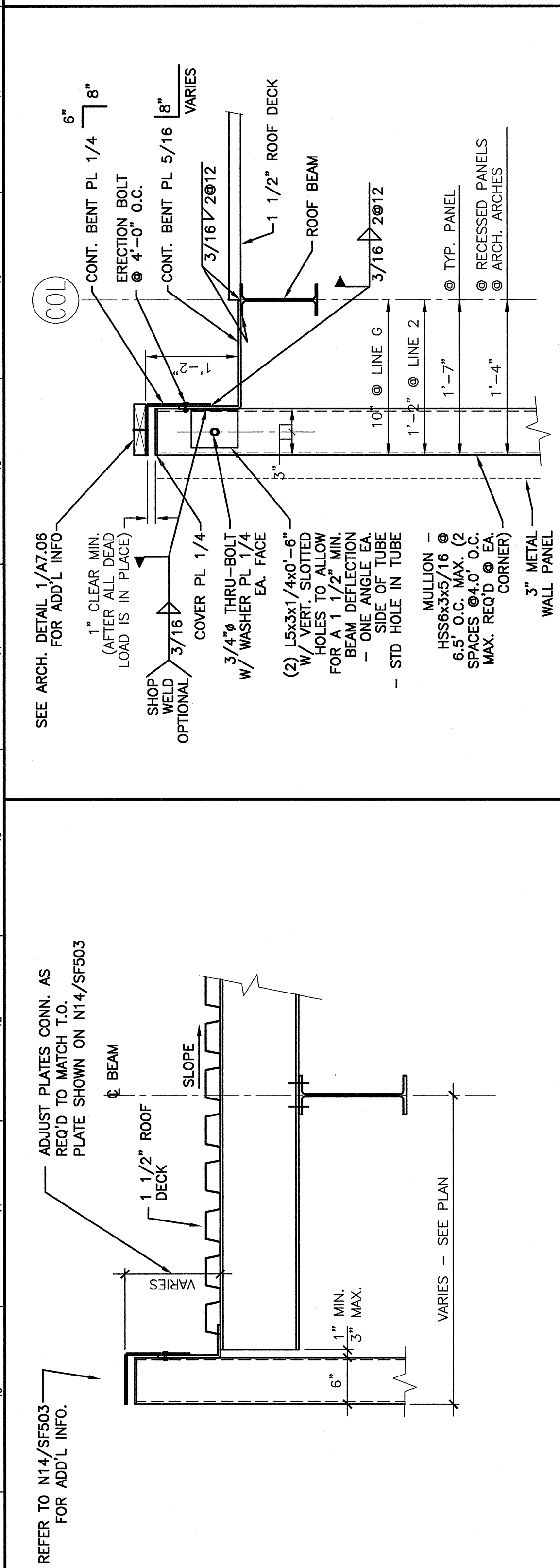
J9 SECTION
1"=1'-0"



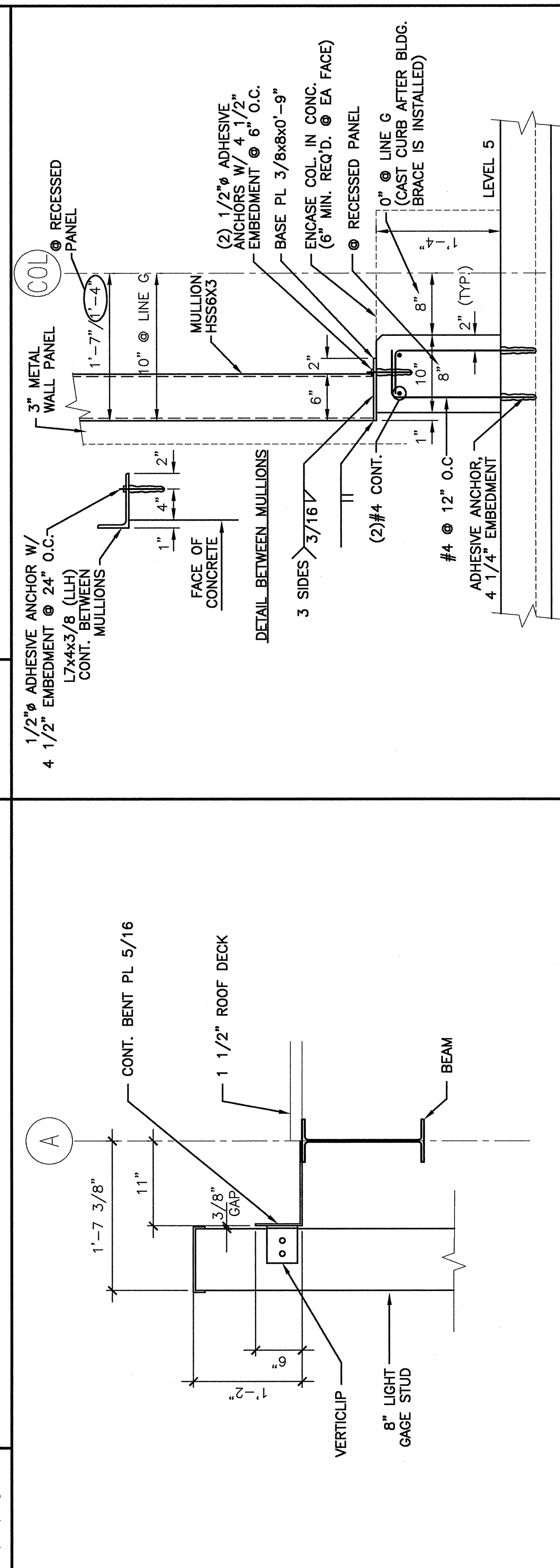
E9 SECTION
1"=1'-0"



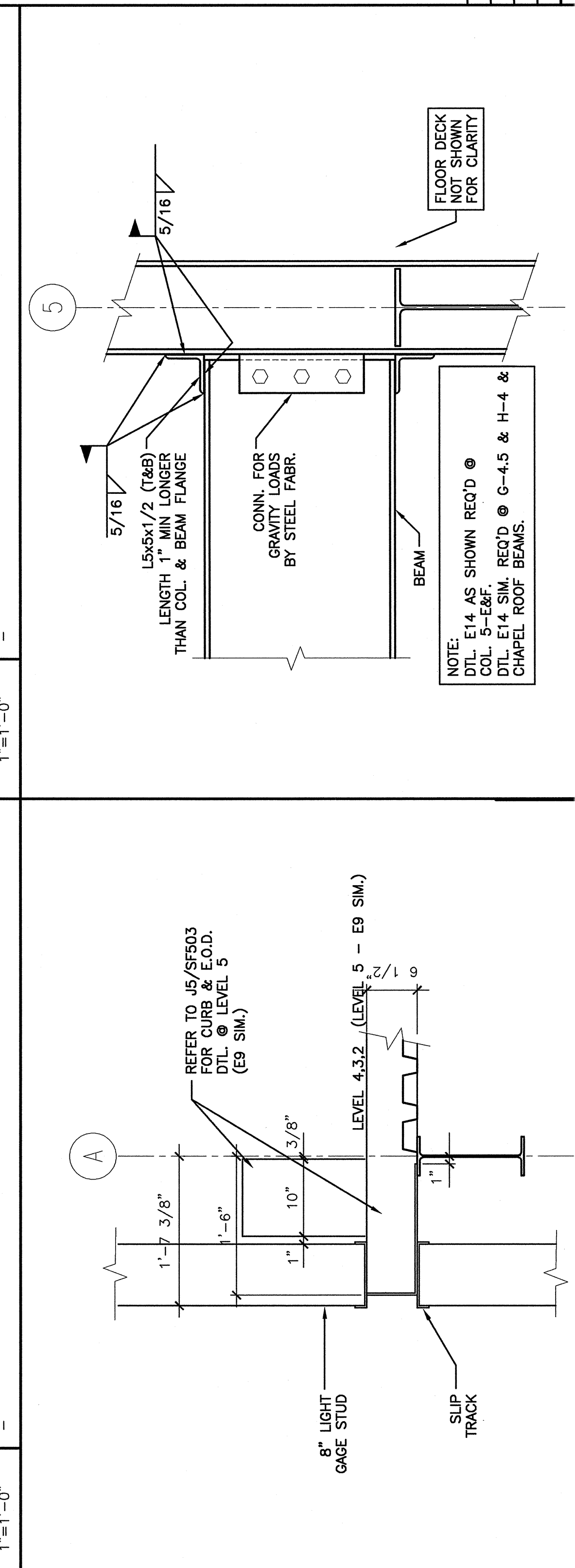
A9 SECTION @ CANOPY
1"=1'-0"



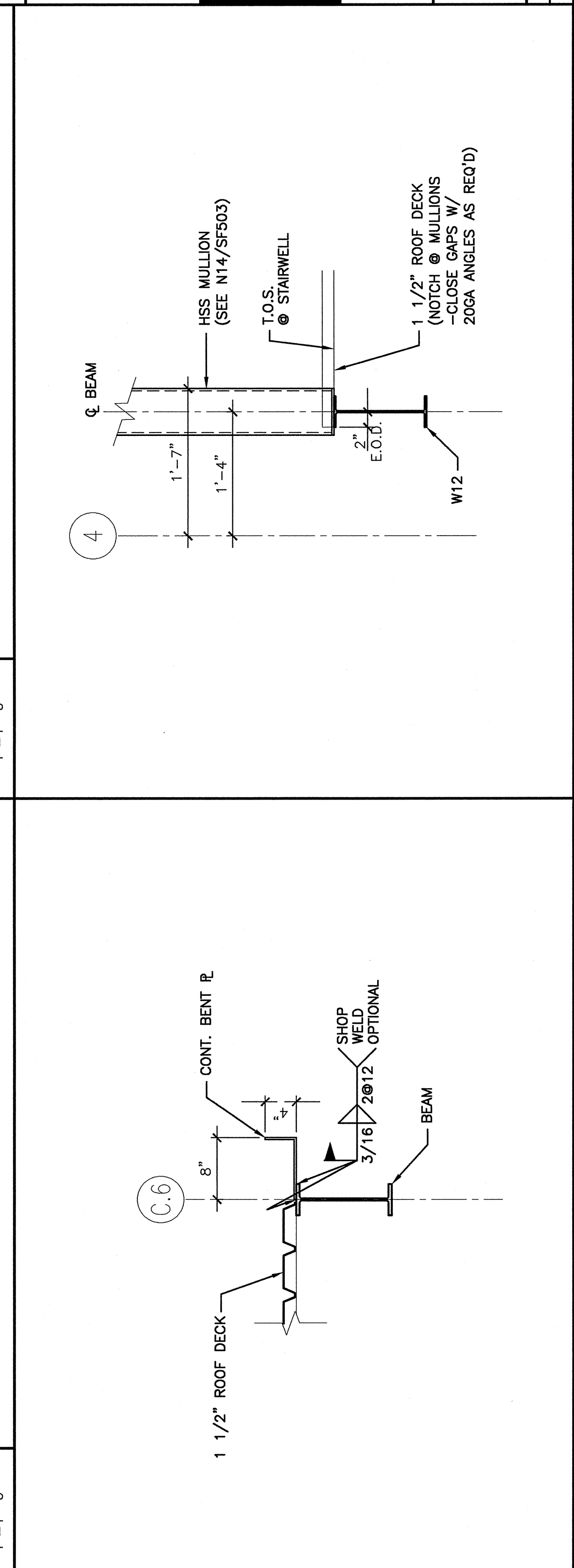
N14 SECTION @ MAIN ROOF
1"=1'-0"



J14 CURB DETAIL @ PENTHOUSE FLOOR
1"=1'-0"



E14 SECTION
1"=1'-0"



A14 SECTION
1"=1'-0"

REV.	DESCRIPTION	DATE
0	ISSUED FOR CONSTRUCTION	9-19-06

ISSUED FOR CONSTRUCTION
9-19-06

CURRENT ISSUE STATUS:



SMRT
ARCHITECTURE ENGINEERING PLANNING
144 Fore Street, P.O. Box 618
Portland, Maine 04104
Tel. (207) 772-8486
Fax. (207) 772-0070

MERCY HOSPITAL AT FORE RIVER
PROJECT 2
LOCATION

PROJECT: **FRAMING SECTIONS AND DETAILS**

SHEET TITLE: **SECTIONS AND DETAILS**

SHEET NO.: **SF503**