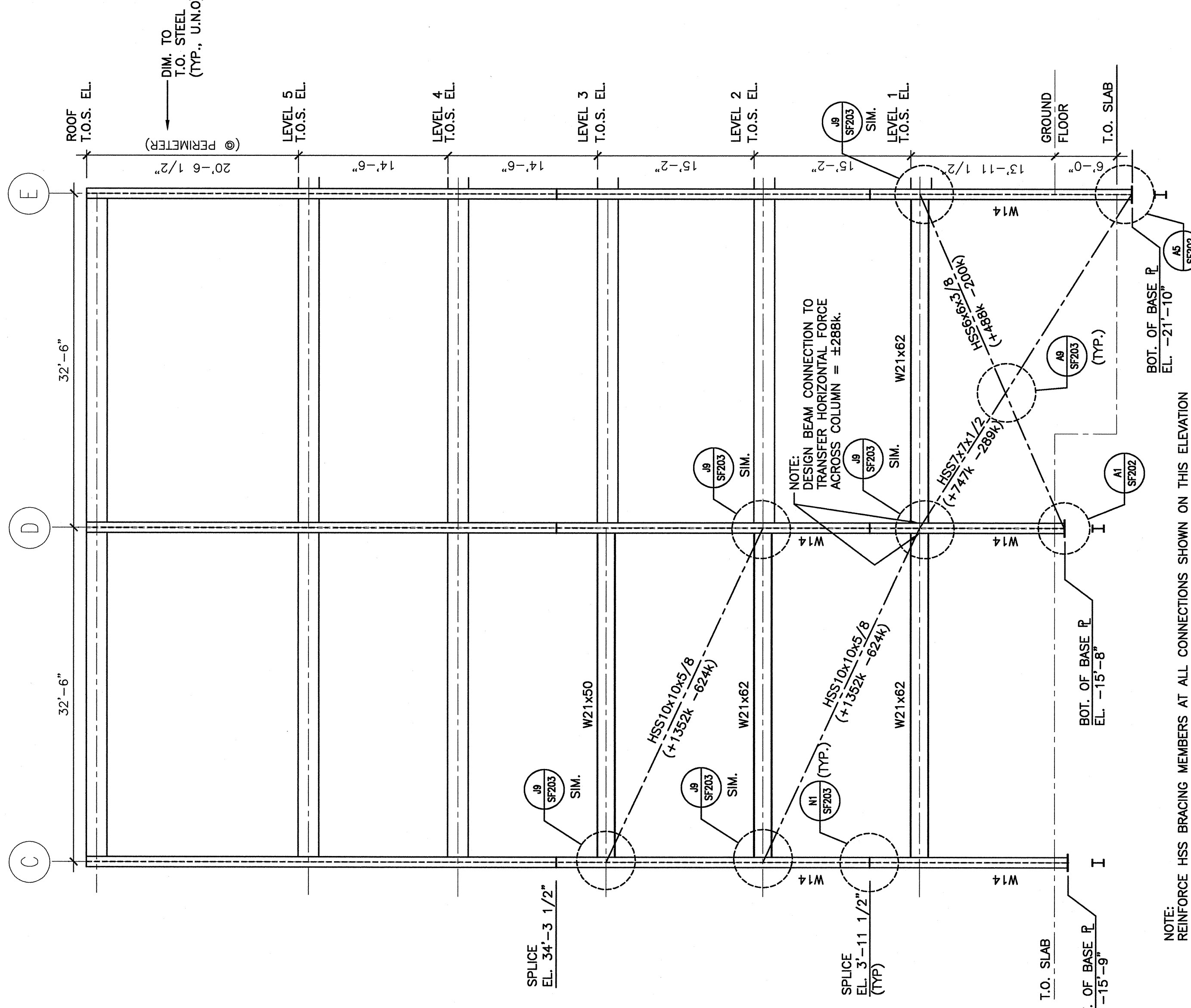
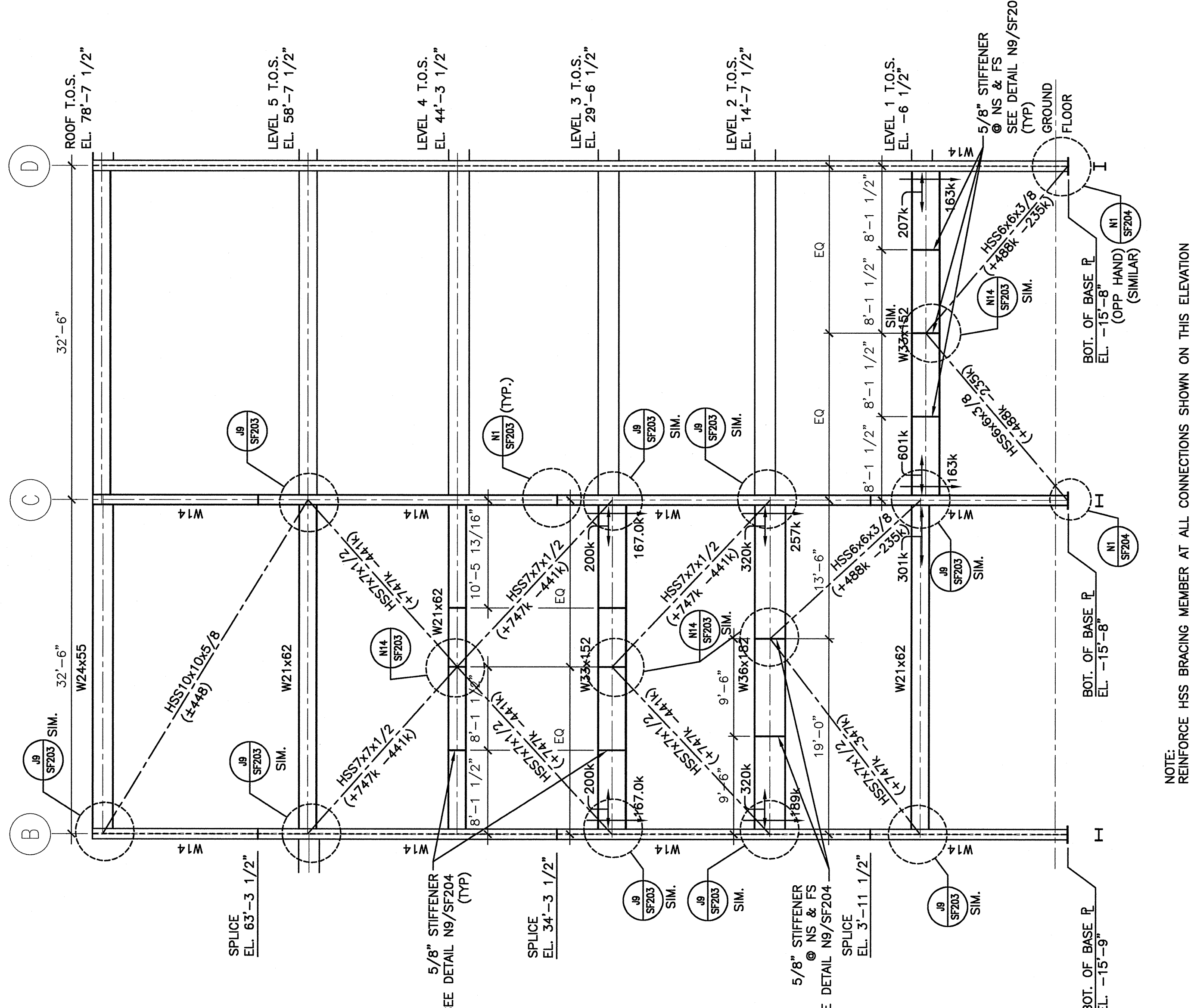
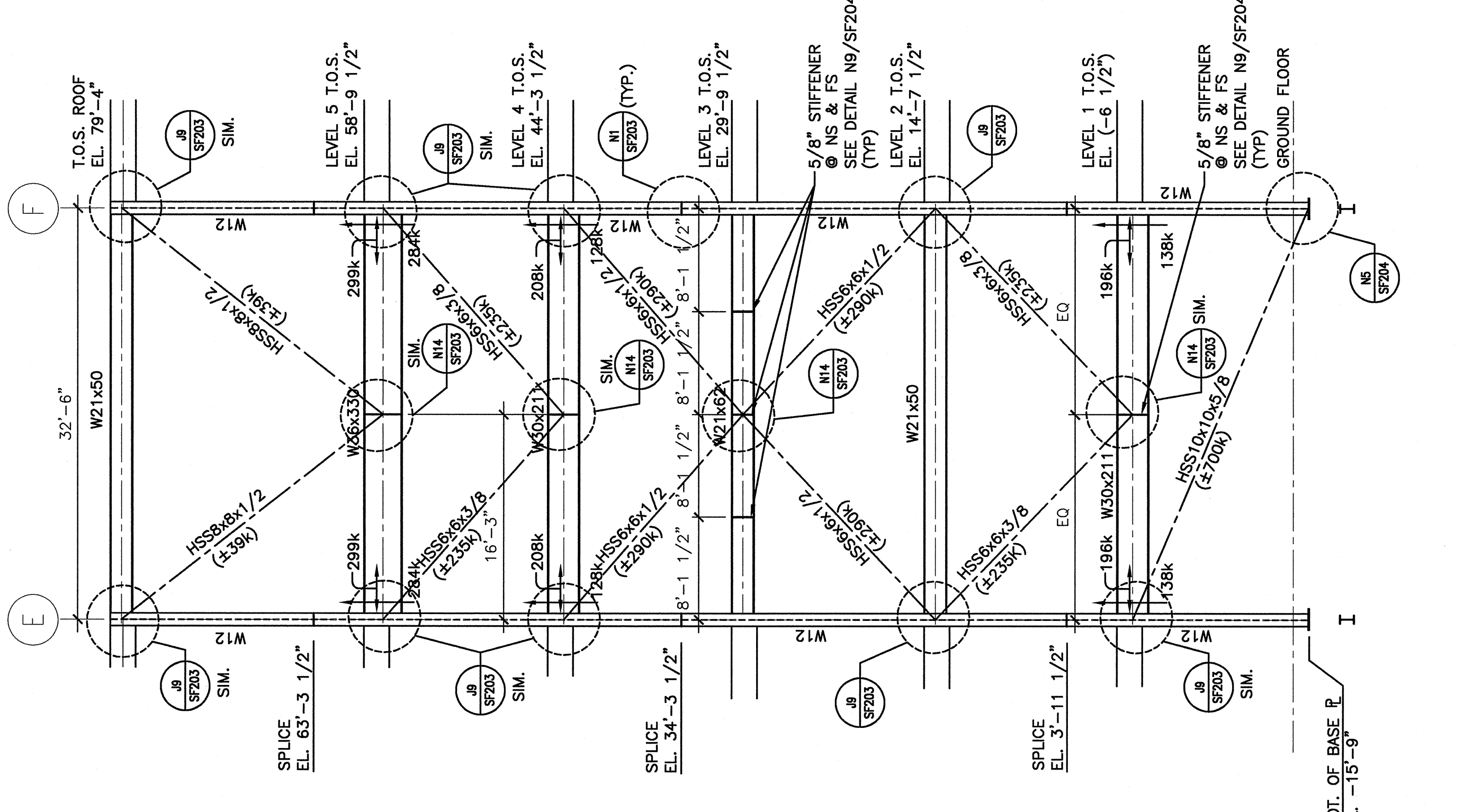


NOTE:

1. ALL MEMBERS AND CONNECTIONS SHOWN ON THIS SHEET ARE PART OF THE SEISMIC LOAD RESISTING SYSTEM.
2. THE PROTECTED ZONE FOR EACH BRACE SHALL BE TAKEN AS THE MIDDLE 1/4 OF THE BRACE LENGTH. SEE CONNECTION DETAILS FOR ADDITIONAL PROTECTED ZONE INFORMATION. CONNECTION 'E' SHALL BE INCLUDED IN THE PROTECTED ZONE.
3. DESIGN BRACING CONNECTIONS FOR AXIAL LOADS INDICATED ON DRAWING. CONNECTIONS FOR TENSION AND COMPRESSION ARE INDICATED BY PLUS (+) AND MINUS (-) SIGN INDICATES A TENSILE FORCE. MINUS SIGN INDICATES A COMPRESSIVE DESIGN FORCE. CONNECTIONS UTILIZING THE "UNIFORM FORCE METHOD" AS DESCRIBED IN "AMERICAN INSTITUTE OF STEEL CONSTRUCTION, INC. SEISMIC PROVISIONS FOR STRUCTURAL STEEL DESIGN, THIRD EDITION".
4. SEE CONNECTION NOTES ON S0001 FOR OTHER REQUIREMENTS.
5. WHERE BEAM AXIAL LOADS AND VERTICAL REACTIONS ARE INDICATED, THESE LOADS ARE SEISMIC LOADS. ADD LOADS FOR GRAVITY REACTIONS AND VERTICAL REACTIONS TO THE FRAMING PLANS FOR CONNECTION DESIGN. SEE SHEET S0001 FOR REACTIONS SHOWN ON THIS DRAWING INDICATE UPLIFT (U), NEGLECT GRAVITY REACTIONS SHOWN ON THE FRAMING PLAN.



F13 BRACING ELEVATION @ COLUMN LINE 4

F7 BRACING ELEVATION @ COLUMN LINE 3

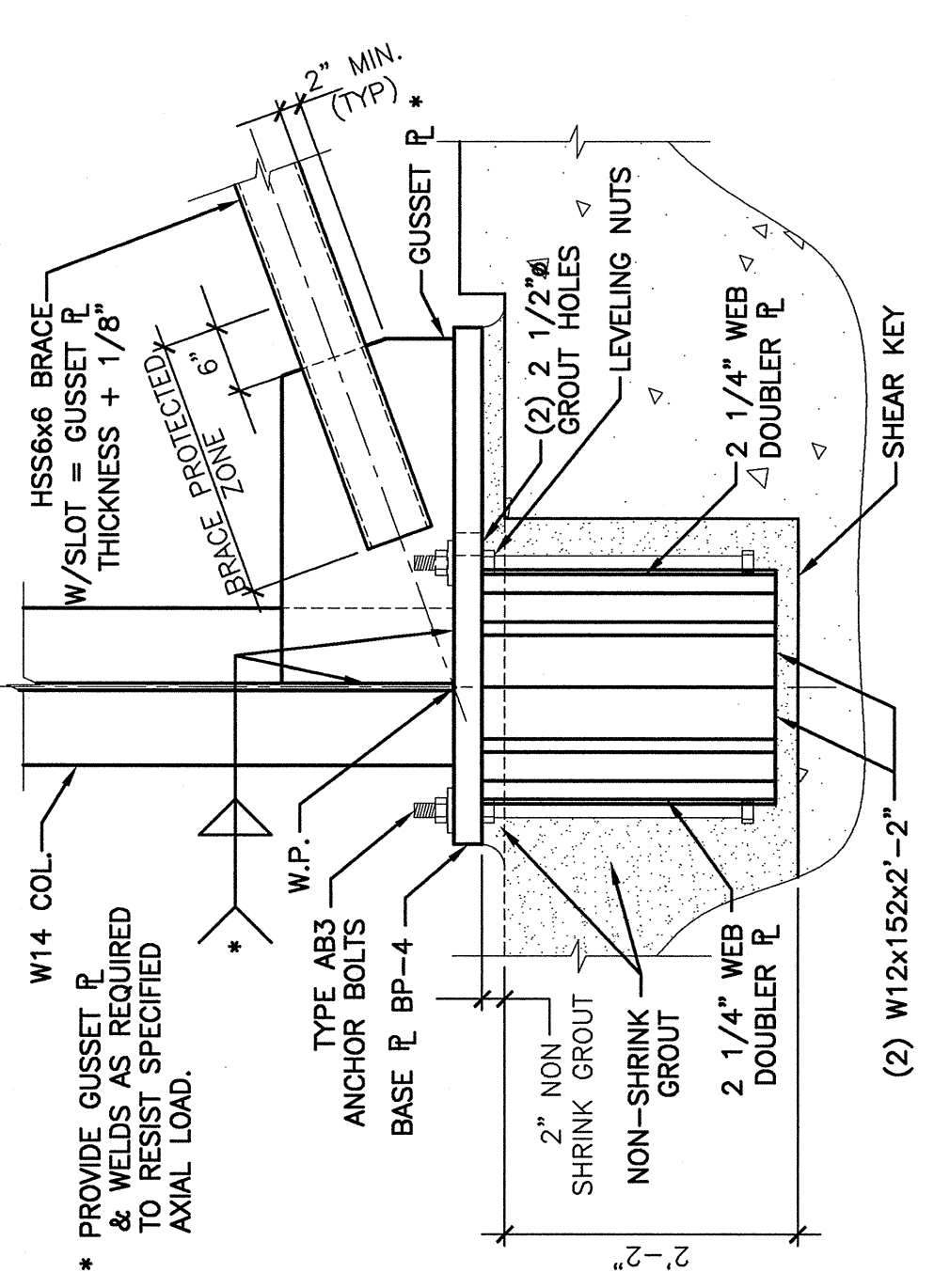
F1 BRACING ELEVATION @ COLUMN LINE 2

1/8"=1'-0"

1/8"=1'-0"

1/8"=1'-0"

1/8"=1'-0"



A1 DETAIL

A14

A9

A5

1/8"=1'-0"

1/8"=1'-0"

1/8"=1'-0"

1/8"=1'-0"

1/8"=1'-0"

REV.	ISSUED FOR CONSTRUCTION	DATE
0	ISSUED FOR CONSTRUCTION	9-19-06

ISSUED FOR CONSTRUCTION
9-19-06

CURRENT ISSUE STATUS:



SMRT
ARCHITECTURE ENGINEERING PLANNING
144 Fore Street P.O. Box 618
Portland, Maine 04104
Tel. (207) 772-3846
Fax. (207) 772-6070

MERCY HOSPITAL AT FORE RIVER
PROJECT 2
LOCATION

BRACING ELEVATIONS

SHEET TITLE: AS NOTED
DATE: 9-19-06
PROJECT NUMBER: ELB
GRAPHIC SCALE: 1"=10'
JOB CHG./DRAWN: HCC
A/E OF RECORD: JSW

SHEET NO.: SF202
PROJECT NO.: S0001-00034