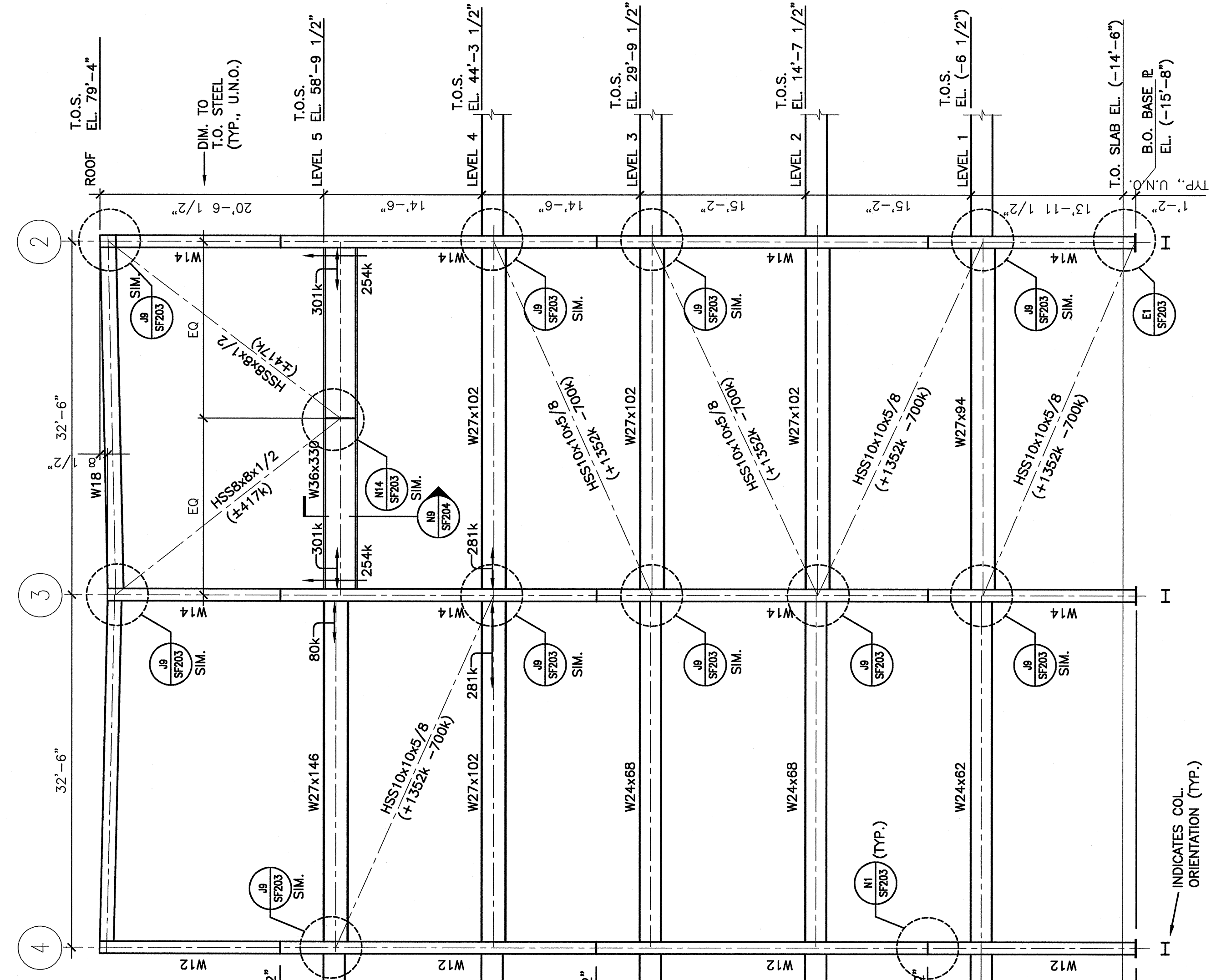


**NOTE:**

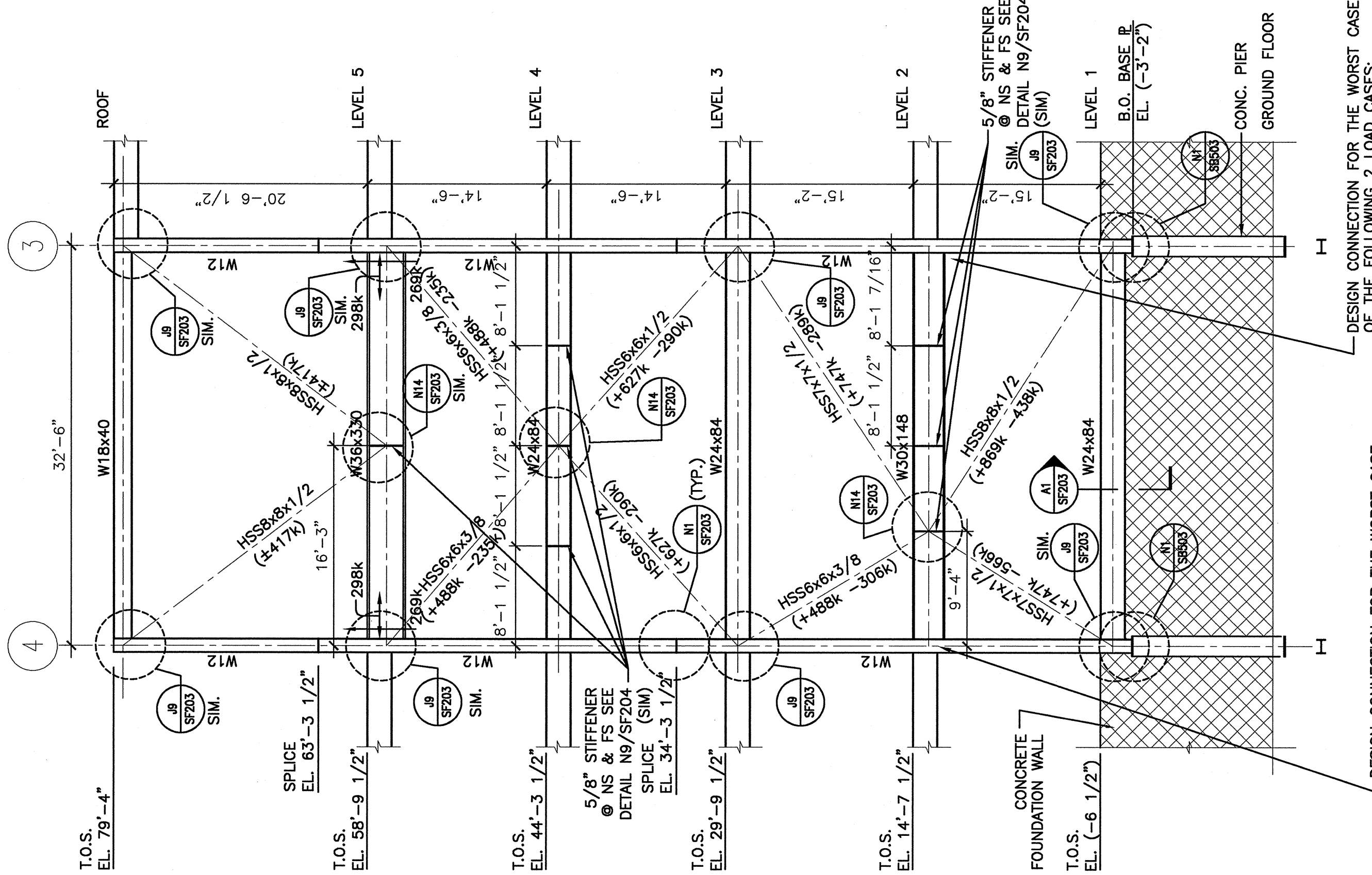
1. ALL MEMBERS AND CONNECTIONS SHOWN ON THIS SHEET ARE PART OF THE SEISMIC LOAD RESISTING SYSTEM (SLRS).
2. THE PROTECTED ZONE FOR EACH BRACE SHALL BE TAKEN AS THE MIDDLE 1/4 OF THE BRACE LENGTH. SEE CONNECTION DETAILS FOR ADDITIONAL PROTECTED ZONES. GUSSET P'S & BEAM CONNECTION P'S SHALL BE INCLUDED IN THE PROTECTED ZONE.
3. DESIGN BRACING CONNECTIONS FOR AXIAL LOADS INDICATED ON BRACING MEMBERS. ALL CONNECTIONS SHALL BE DESIGNED AND FACTORED FOR LRD. UNITS ARE IN KIPS. PLUS SIGN INDICATES TENSION. MINUS SIGN INDICATES COMPRESSION. DESIGN CONNECTIONS UTILIZING THE "UNIFORM FORCE METHOD" AS DESCRIBED IN THE AMERICAN INSTITUTE OF STEEL CONSTRUCTION MANUAL SHALL BE USED. CONSTRUCTION LOAD AND RESISTANCE FACTOR DESIGN, THIRD EDITION.
4. SEE CONNECTION NOTES ON S0001 FOR OTHER REQUIREMENTS.
5. WHERE BEAM AXIAL LOADS AND VERTICAL REACTIONS ARE INDICATED, THESE LOADS ARE SEISMIC LOADS. ADD LOADS SHOWN ON THIS DRAWING WITH REACTIONS SPECIFIED ON THE DRAWING WITH REACTIONS SPECIFIED ON THE DRAWING. NEGLECT GRAVITY REACTIONS SHOWN ON THE DRAWING. NEGLECT GRAVITY REACTIONS SHOWN ON THE FRAMING PLAN.

NOTE: REINFORCE HSS BRACING MEMBERS AT ALL CONNECTIONS BELOW LEVEL 5 SHOWN ON THIS ELEVATION. SEE A14/SF203 FOR REQUIREMENTS.



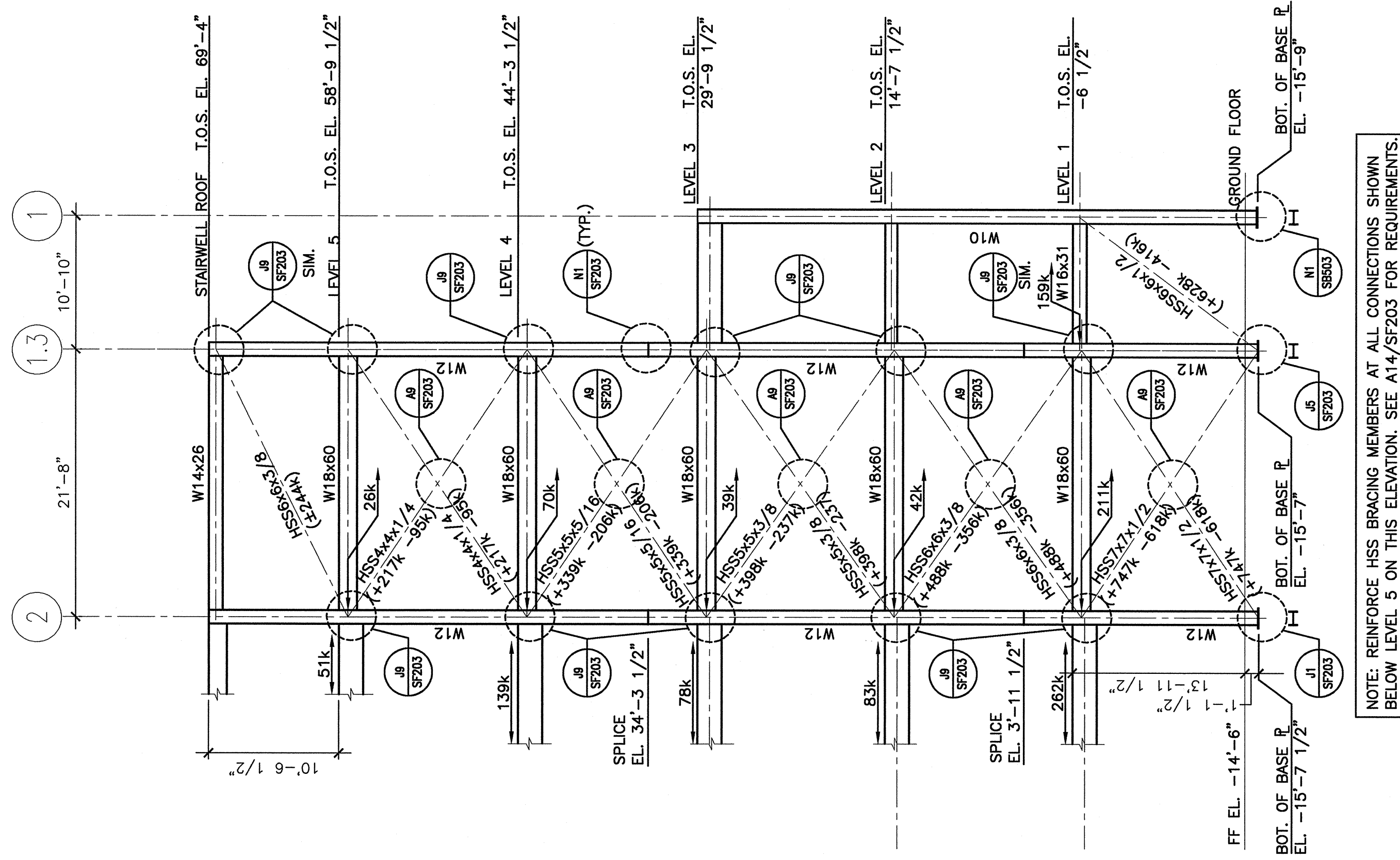
INDICATES COL. ORIENTATION (TYP.)

NOTE: REINFORCE HSS BRACING MEMBERS AT ALL CONNECTIONS BELOW LEVEL 5 SHOWN ON THIS ELEVATION. SEE A14/SF203 FOR REQUIREMENTS.



DESIGN CONNECTION FOR THE WORST CASE OF THE FOLLOWING 2 LOAD CASES:  
1. HORIZONTAL LOAD = 83K  
2. HORIZONTAL LOAD = 240K  
VERTICAL LOAD = 32K

DESIGN CONNECTION FOR THE WORST CASE OF THE FOLLOWING 2 LOAD CASES:  
1. HORIZONTAL LOAD = 83K  
2. HORIZONTAL LOAD = 240K  
VERTICAL LOAD = 32K



NOTE: REINFORCE HSS BRACING MEMBERS AT ALL CONNECTIONS SHOWN BELOW LEVEL 5 ON THIS ELEVATION. SEE A14/SF203 FOR REQUIREMENTS.

F1 BRACING ELEVATION @ COLUMN LINE D

F7 BRACING ELEVATION @ COLUMN LINE A

F12 BRACING ELEVATION @ COLUMN LINE H

F14 BR. ELEV. @ COL. LINE 2.3

F14 BR. ELEV. @ COL. LINE 4.7

F14 BR. ELEV. @ COL. LINE 1.3

F14 BR. ELEV. @ COLUMN LINE G @ PENTHOUSE ONLY

REV.	ISSUED FOR CONSTRUCTION	DATE
0	ISSUED FOR CONSTRUCTION	9-19-06

**ISSUED FOR CONSTRUCTION**  
9-19-06

CURRENT ISSUE STATUS:



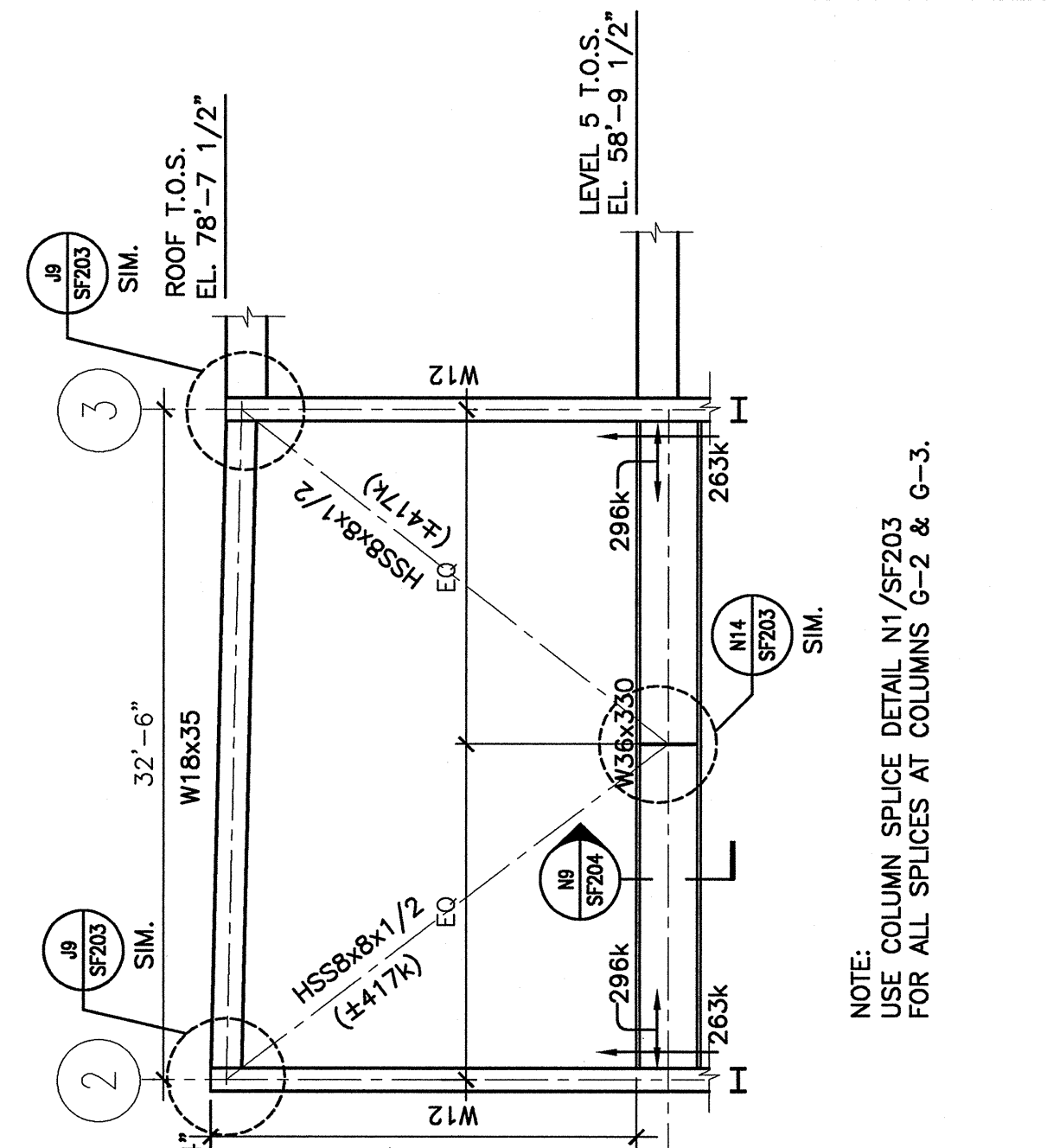
**S.M. R.T.**  
ARCHITECTURE ENGINEERING PLANNING  
144 Fore Street, P.O. Box 618  
Portland, Maine 04104  
tel. (207) 772-8846  
fax. (207) 772-1070

**MERCY HOSPITAL AT FORE RIVER**  
PROJECT  
LOCATION

BRACING ELEVATIONS

SHEET TITLE:	AS NOTED	DATE:	9-19-06
PROJECT MANAGER:	ELB	GRAPHIC SCALE:	1"=10'-0"
JOB CAP/DRAWN:	HCC		
A/E OF RECORD:	JSW		
SMART CAD FILE:	SF201-08034		
PROJECT No.:	05034		

SHEET No. **SF201**



NOTE: USE COLUMN SPLICE DETAIL N1/SF203 FOR ALL COLUMN SPLICES AT COLUMNS G-2 & G-3.

A1 BRACING ELEVATION @ COLUMN LINE G @ PENTHOUSE ONLY

A5 BRACING ELEVATION @ COLUMN LINE 1.3

A9 BRACING ELEVATION @ COL LINE 4.7

A14 BR. ELEV. @ COL. LINE 2.3

A14 BR. ELEV. @ COL. LINE 4.7