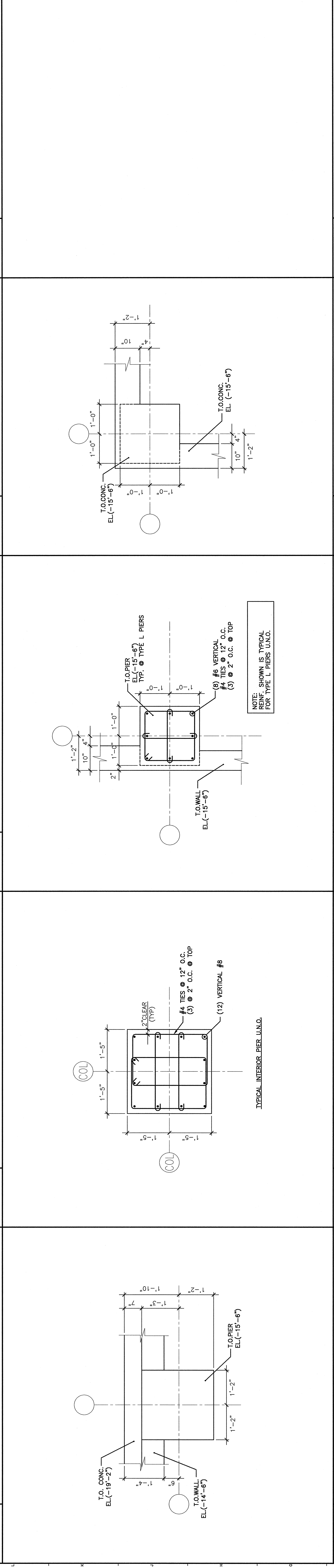
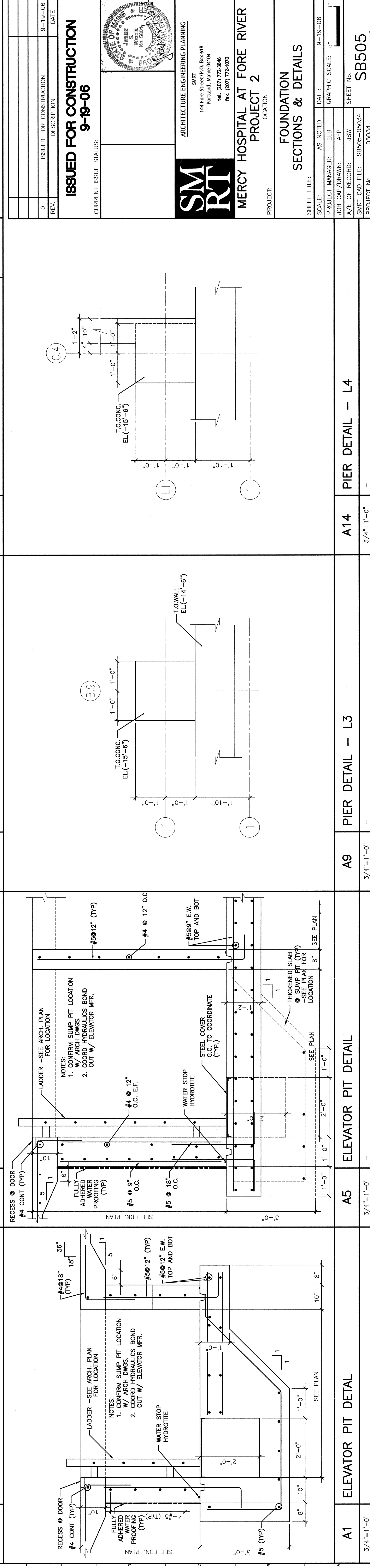


M1	PIER DETAIL - P1	M16	PIER DETAIL - P7
M5	PIER DETAIL - P2	M14	PIER DETAIL - P4
M9	PIER DETAIL - P3		
M14	PIER DETAIL - P4		
M16	PIER DETAIL - P7		



F1	PIER DETAIL - P5	F16	
F5	PIER DETAIL - P6		
F9	PIER DETAIL - L1		
F14	PIER DETAIL - L2		
F16			



A1	ELEVATOR PIT DETAIL	A14	PIER DETAIL - L4
A5	ELEVATOR PIT DETAIL	A9	PIER DETAIL - L3

ISSUED FOR CONSTRUCTION
9-19-06
 CURRENT ISSUE STATUS:

PROJECT: MERCY HOSPITAL AT FORE RIVER
 LOCATION: PROJECT 2

FOUNDATION
 SECTIONS & DETAILS

SM RT
 ARCHITECTURE ENGINEERING PLANNING
 144 Fore Street, P.O. Box 618
 Portland, Maine 04104
 tel. (207) 772-8486
 fax. (207) 772-1070

PROJECT No. SB505
 SHEET No. 05034