

Consultant  
 Civil Engineer  
 DeLuce-Hoffman Associates, Inc.  
 728 Main Street, Suite 8  
 Philadelphia, PA 19103  
 Phone: (207) 775-1121  
 Fax: (207) 879-0898

Consultant  
 ASPECT ARCHITECT/STRUCTURAL ENGINEER  
 3111  
 1100 North 10th Street, Box 618  
 Philadelphia, PA 19104  
 Phone: (207) 772-3848  
 Fax: (207) 772-1070

Consultant  
 MECHANICAL/ELECTRICAL ENGINEER  
 Bond, Koo + Aronson Consulting Engineers, LLC  
 311 Aerial Street  
 Philadelphia, PA 19107  
 Phone: (215) 261-2789  
 Fax: (215) 261-2789

Consultant  
 EQUIPMENT PLANNING  
 Equipment Planning  
 183 General George Patton Drive  
 Franklin, Tennessee 37067  
 Phone: (615) 376-3114  
 Fax: (615) 376-3114

Consultant  
 CONSTRUCTION MANAGER  
 7 Johnson Walkway  
 Philadelphia, PA 19103  
 Phone: (401) 456-5596  
 Fax: (401) 456-5516

Consultant  
 GEOTECHNICAL ENGINEER  
 Hiron Sedimentation, LLC  
 1808 West End Ave. Suite 1400  
 Philadelphia, PA 19103  
 Phone: (610) 321-5591  
 Fax: (610) 321-5589

NOTE: It is the responsibility of the Commissioning Manager/General Contractor and all other parties involved to ensure that all trades before proceeding with any work.

Date: 11/10/06  
 Drawn by: NLP  
 Scale: NONE

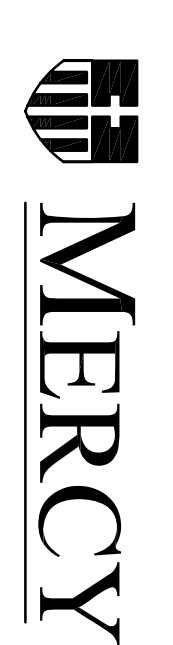
Francis

Coffman

Foley

Hoffmann

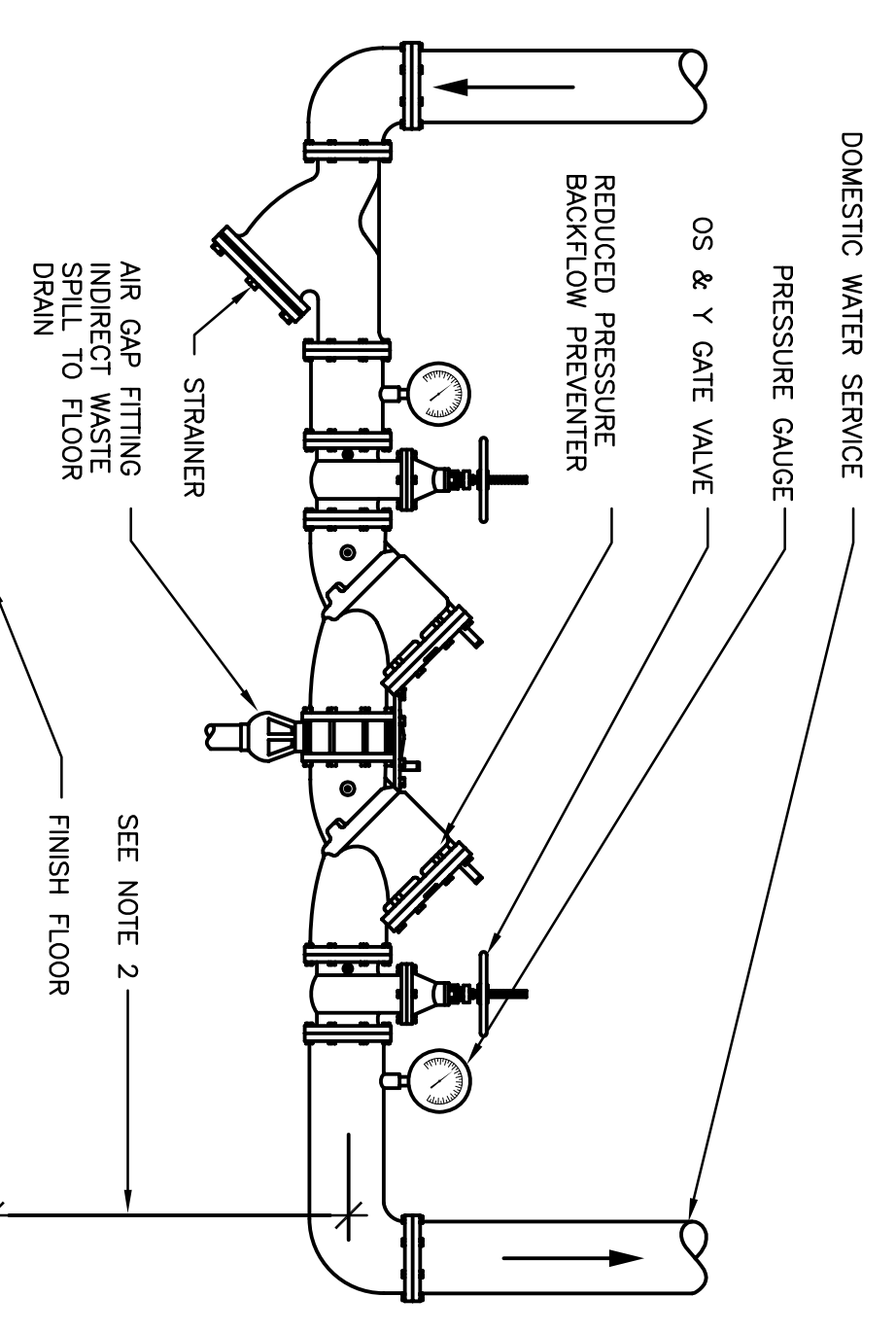
Project Title  
 Mercy Health Core  
 System of Moire  
 FORE RIVER SHORT  
 STAY HOSPITAL



Project Number  
 F05-4898

Drawing Title Number  
 PLUMBING  
 DETAIL SHEET 1

P0.02



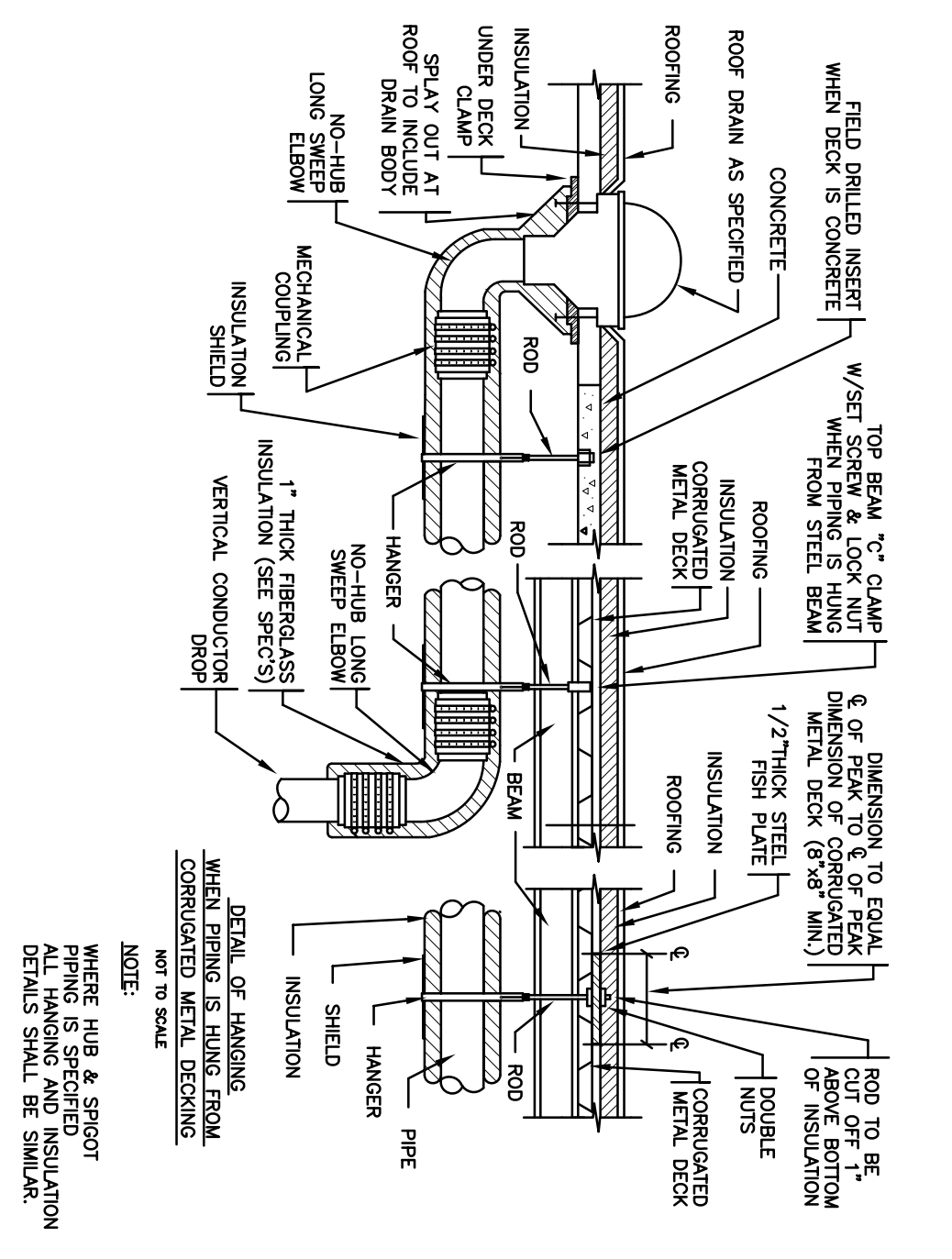
NOTES  
 1. SUPPORT PIPING AND FINISHES AS REQUIRED TO CONFORM TO MANUFACTURER'S REQUIREMENTS. MAINTAIN CLEAR SPACE OF 3" IN FRONT.  
 2. 1" AT EACH END AND 1" FROM WALL (MINIMUM).

1 REDUCED PRESSURE BACKFLOW PREVENTER

NTS

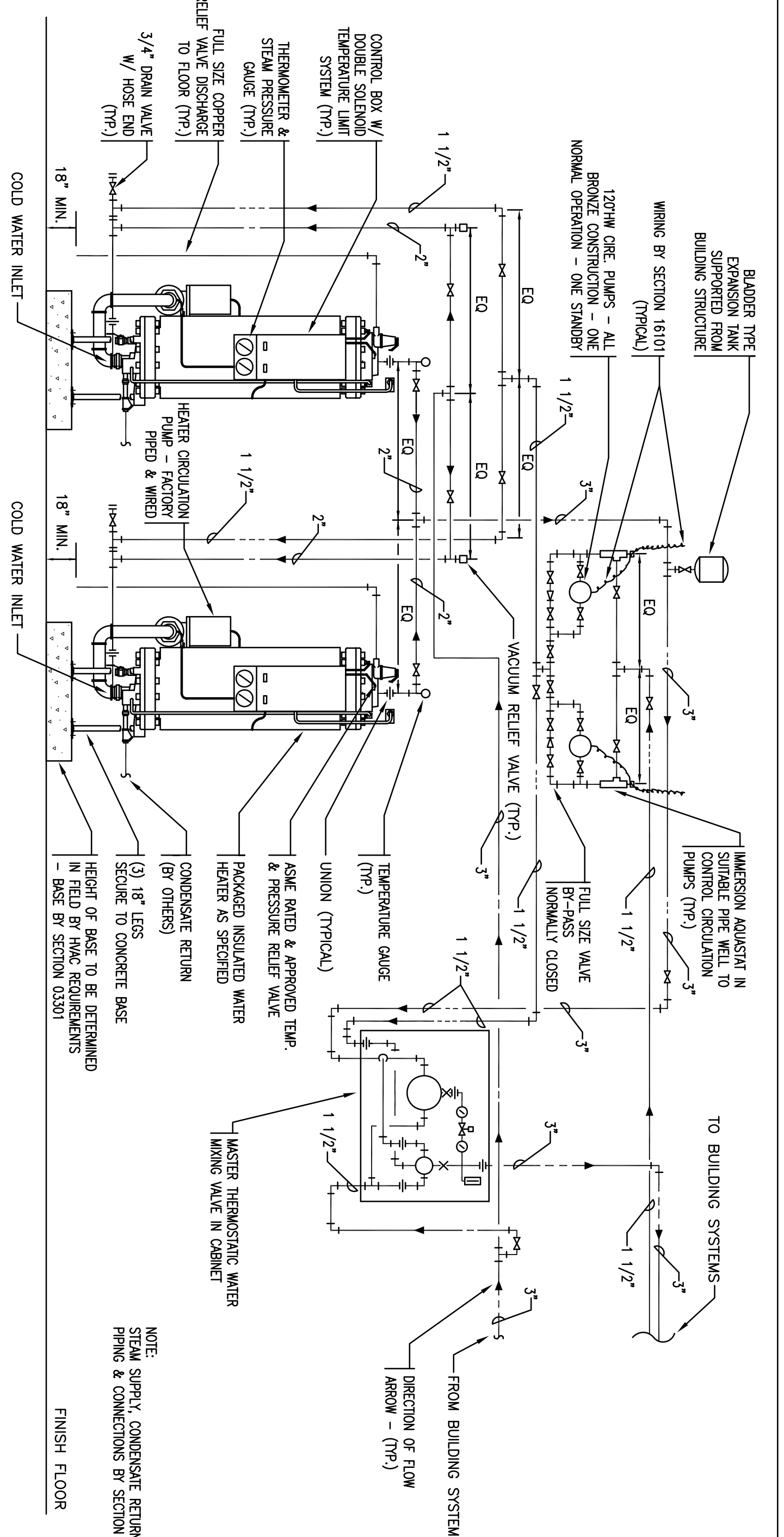
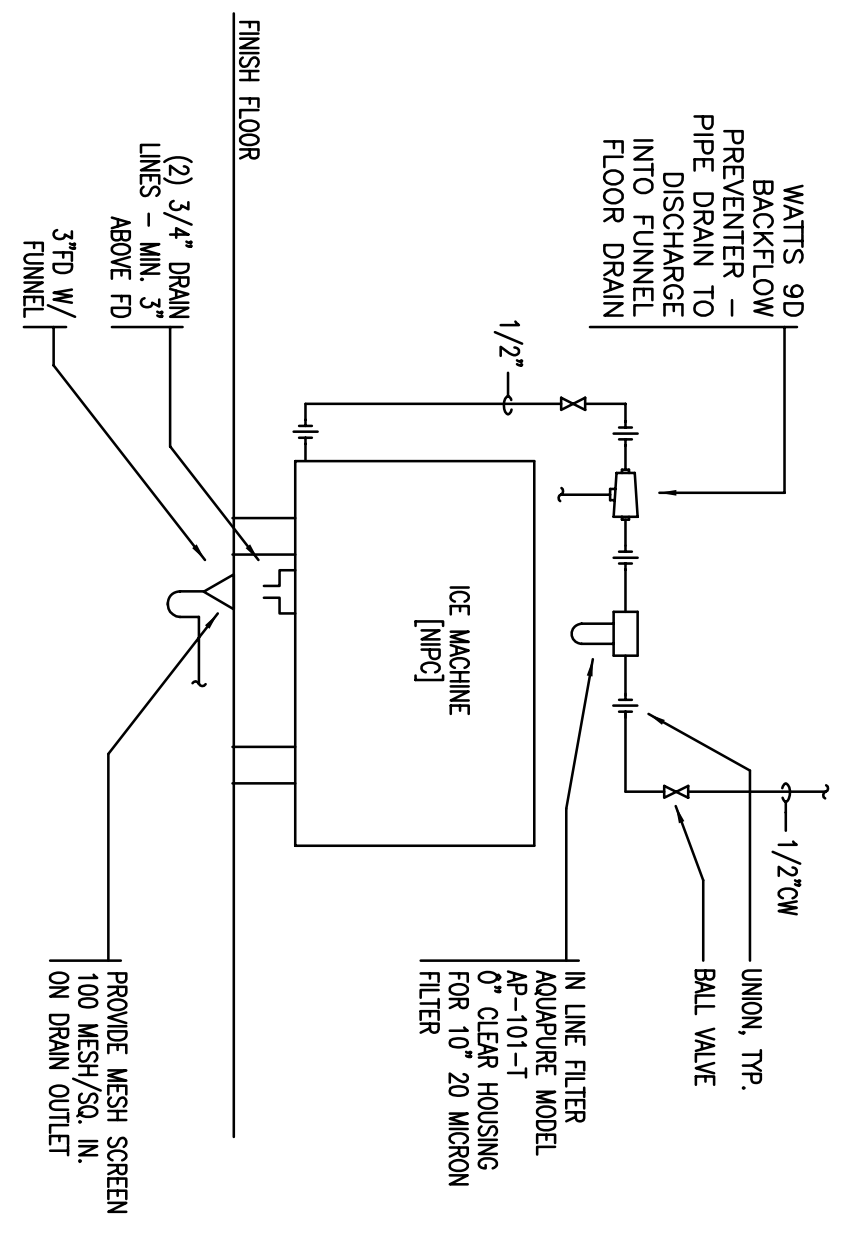
2 INSULATION OF CONDUCTOR PIPING OFFSETS

NTS



3 PIPING AT ICE MACHINE

NTS

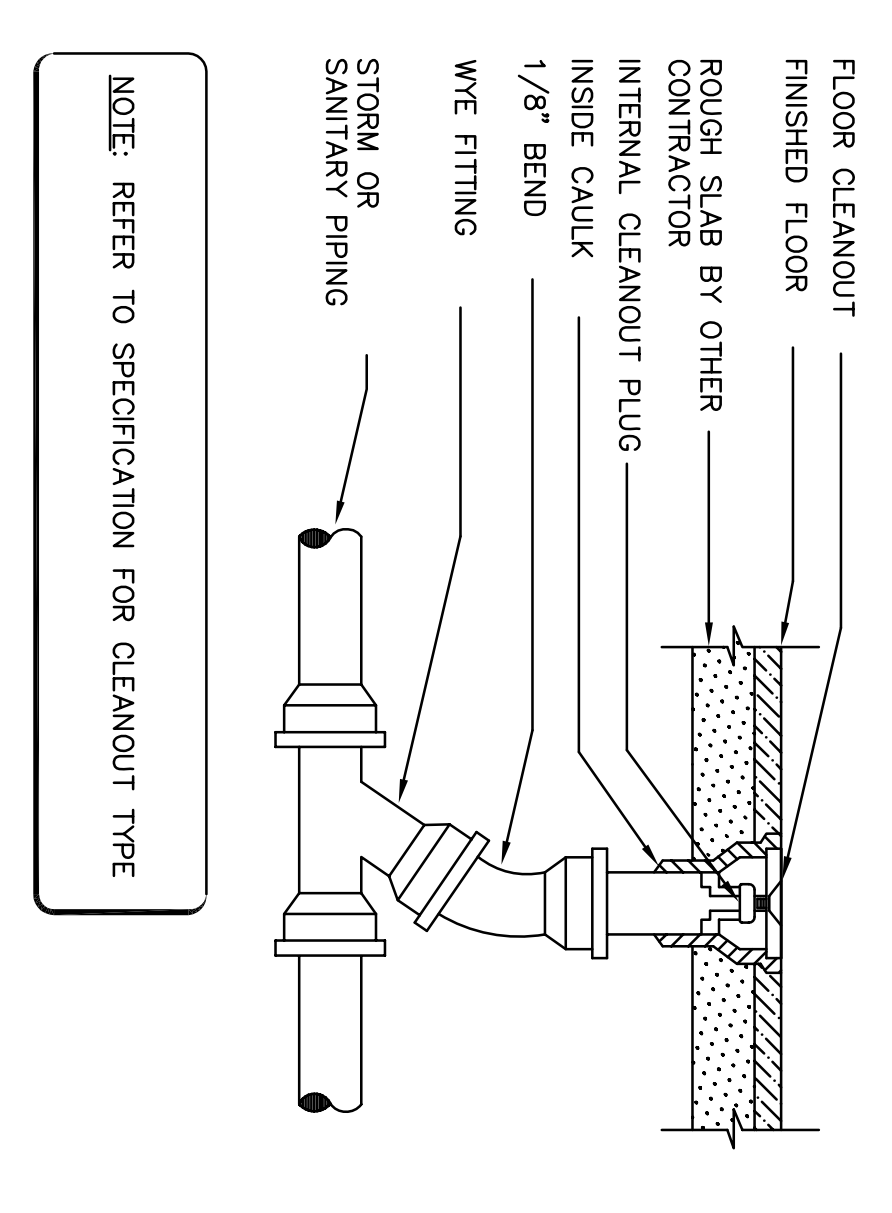


4 DUPLEX HOT WATER HEATERS (TEMPERATURE SYSTEM)

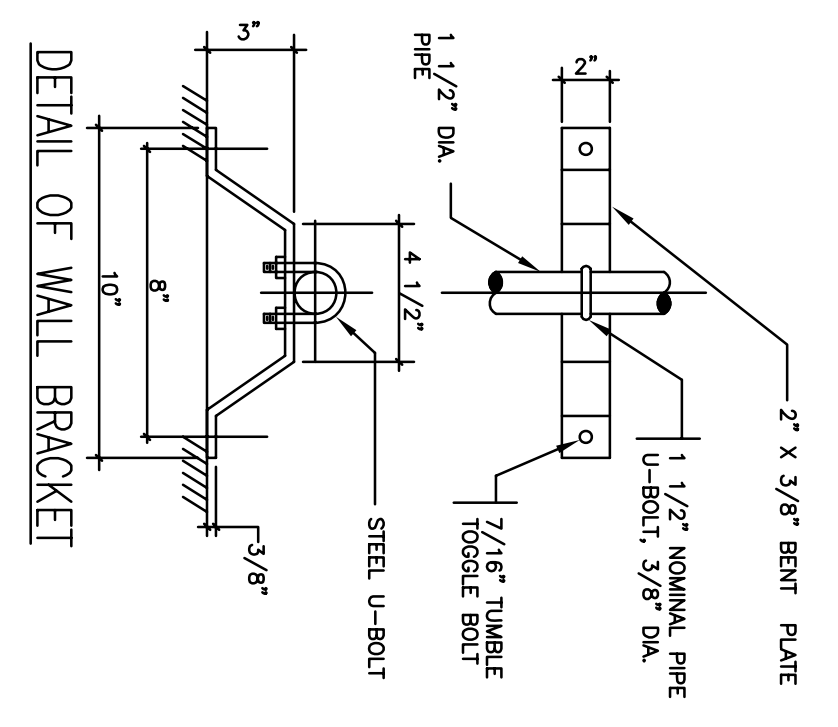
NTS

5 FLUSH FLOOR CLEANOUT

NTS

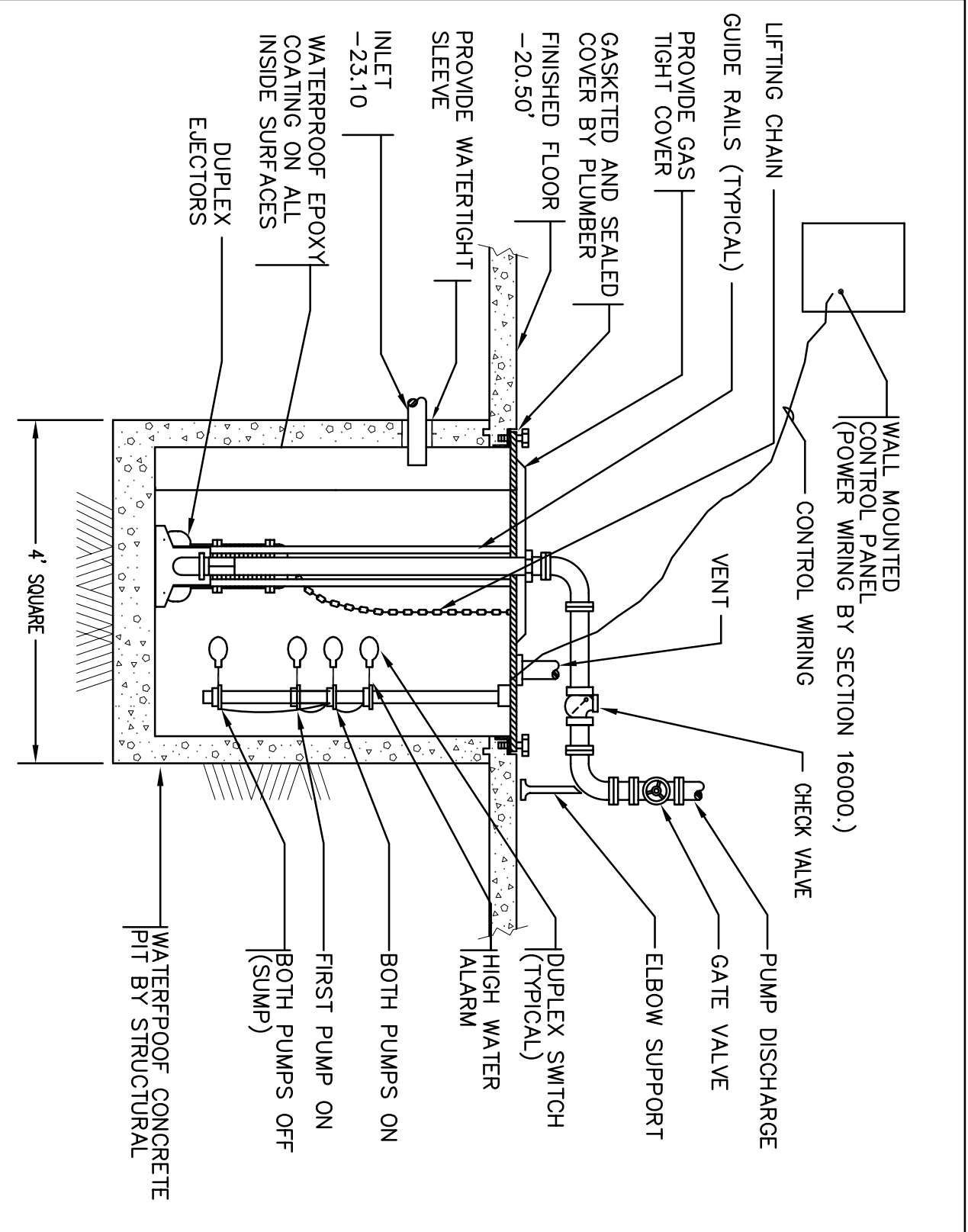


NOTE: REFER TO SPECIFICATION FOR CLEANOUT TYPE



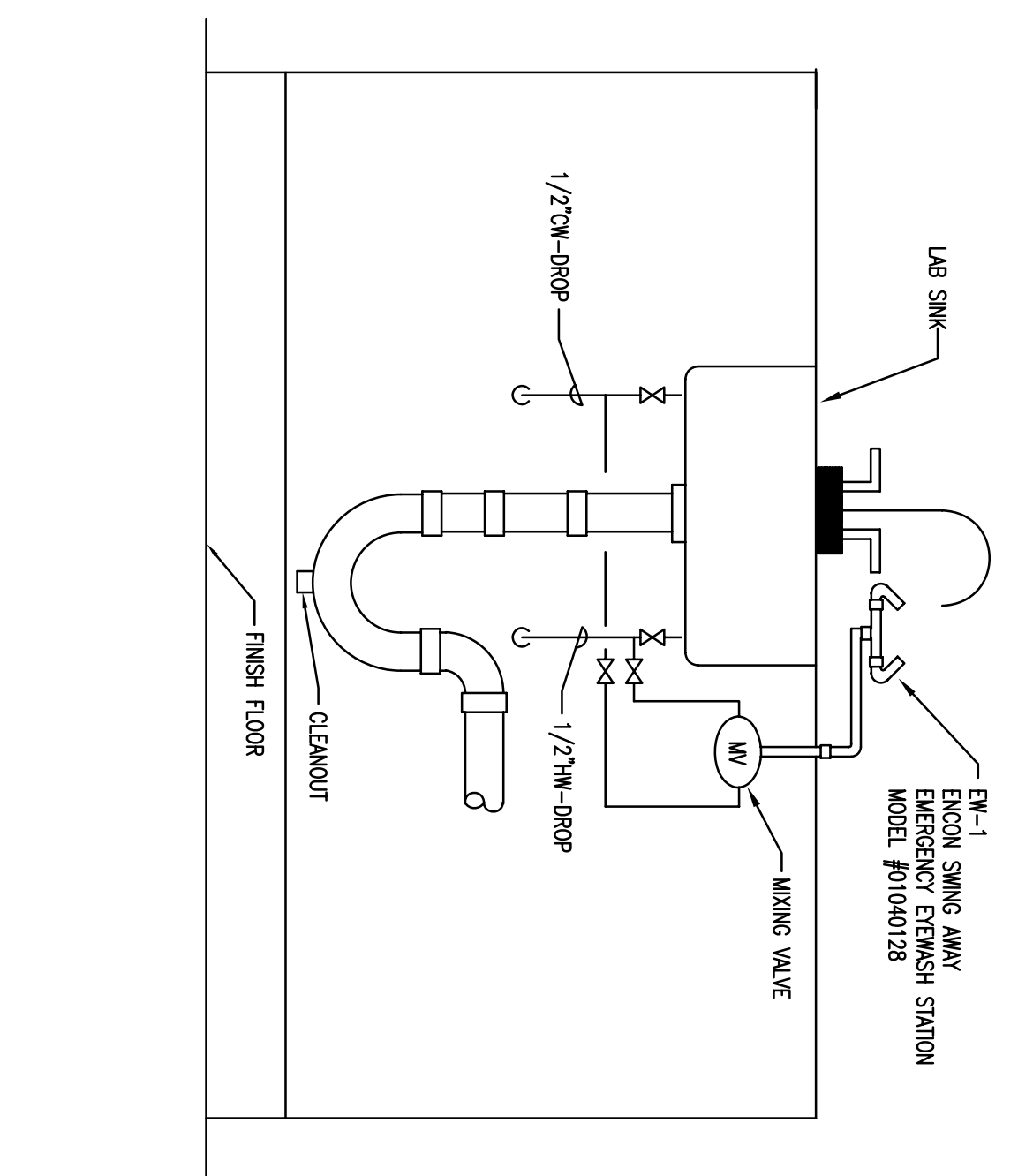
6 EMERGENCY SHOWER & EYEWASH

NTS



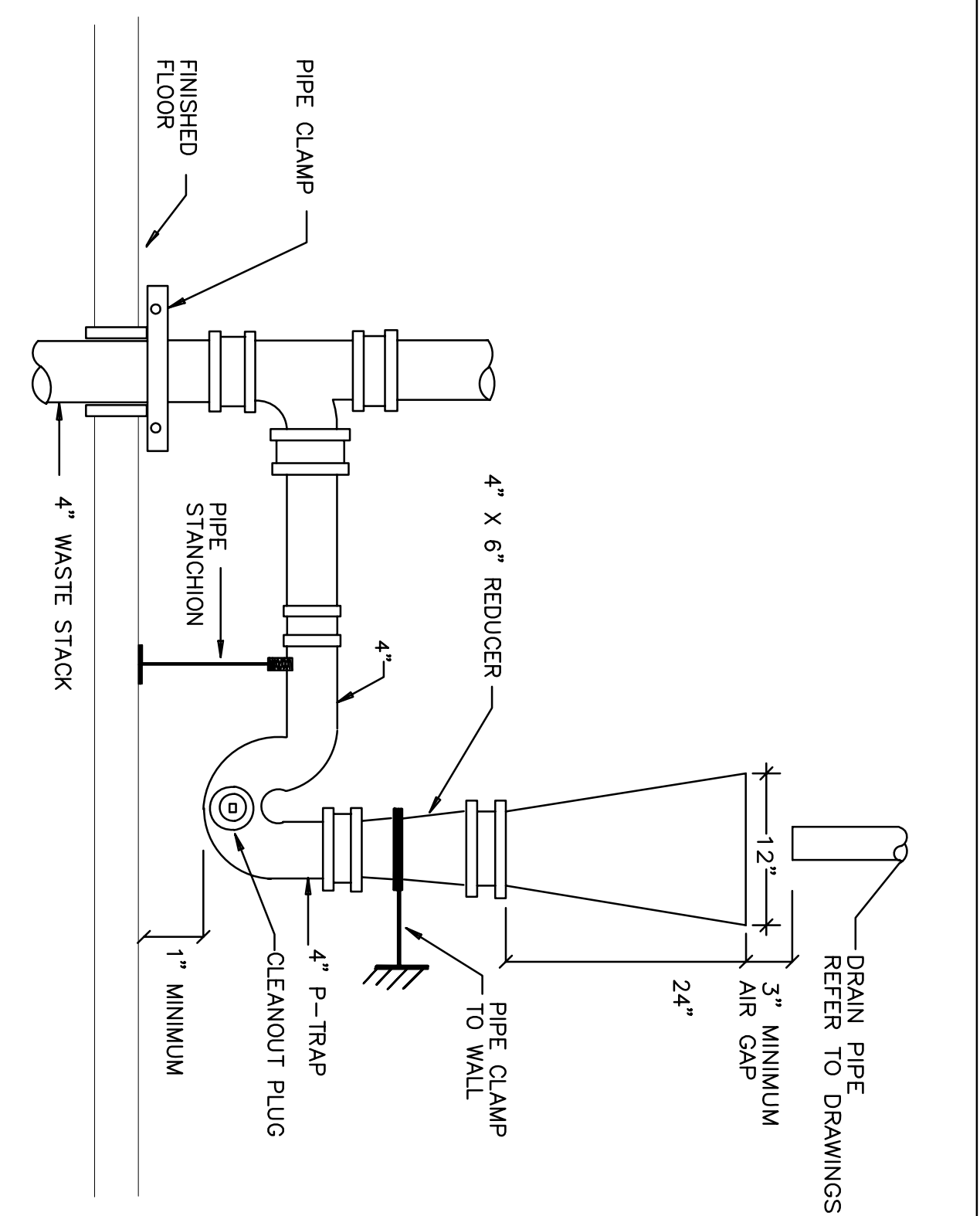
10 DUPLEX VERTICAL SEWAGE EJECTOR & PIT

NTS



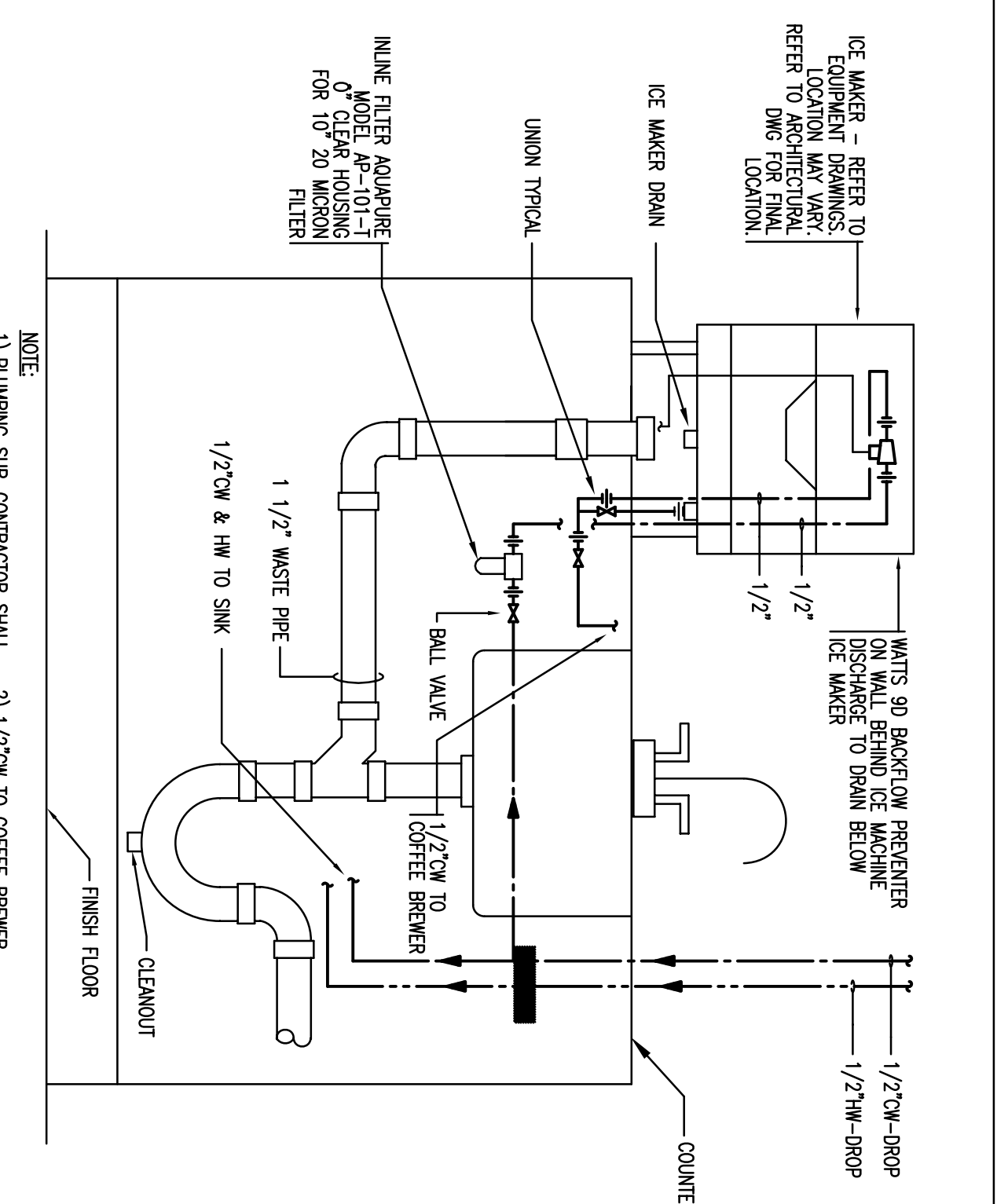
9 EMERGENCY EYEWASH STATION

NTS



8 OPEN END DRAIN DETAIL (OED)

NTS



7 PIPING AT TABLE TOP ICE MAKER

NTS