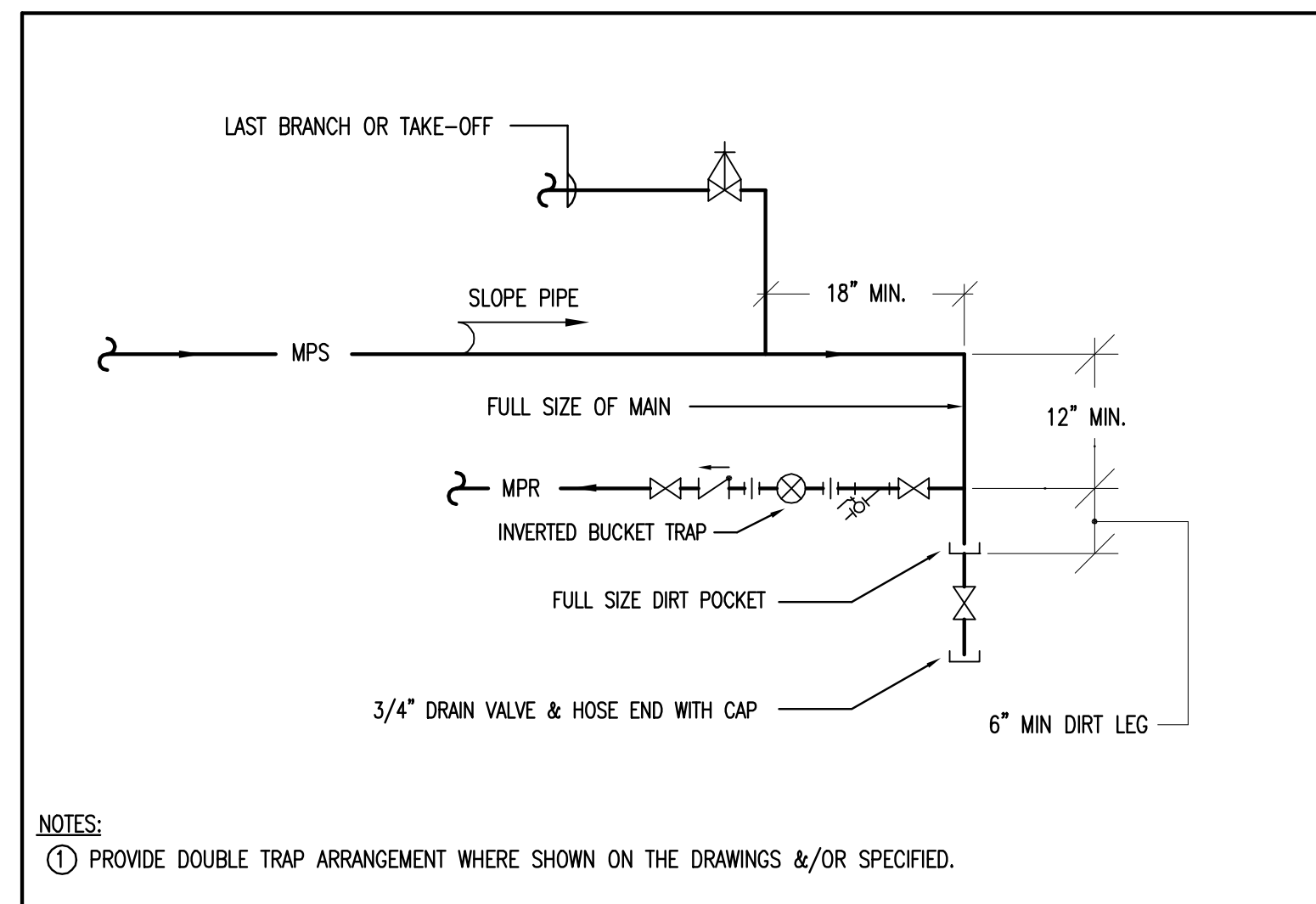
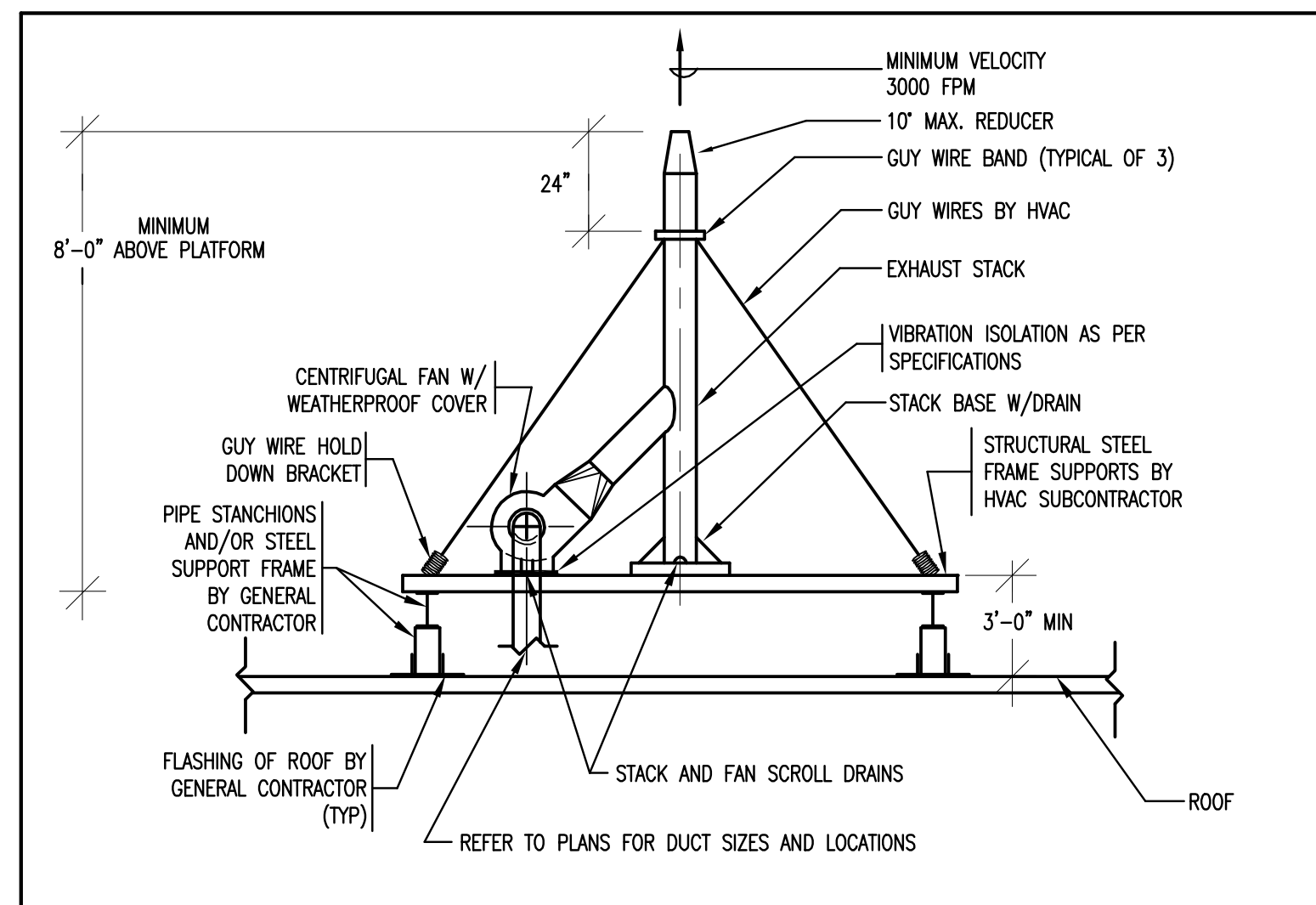


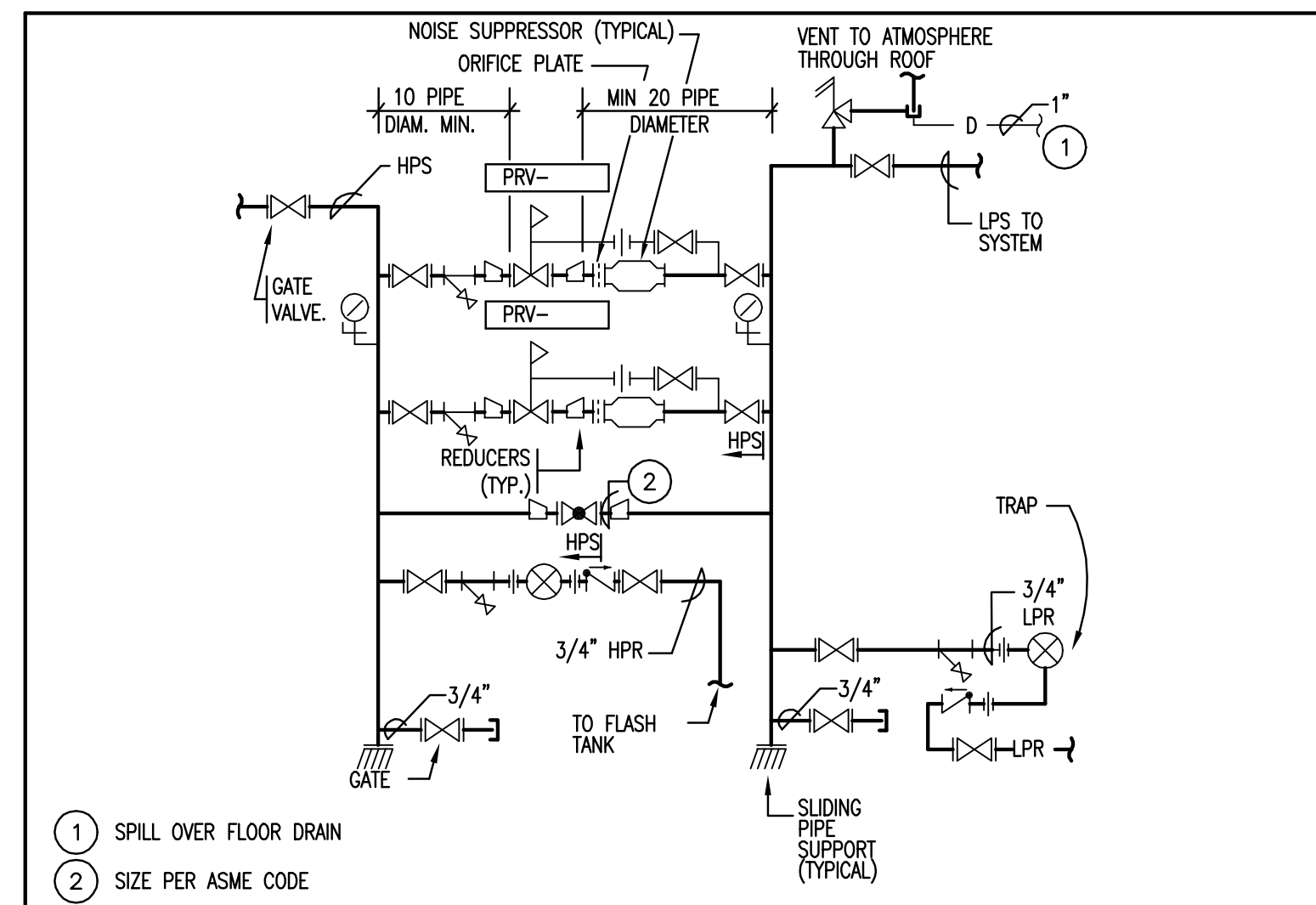
13 GLYCOL FEEDER NTS



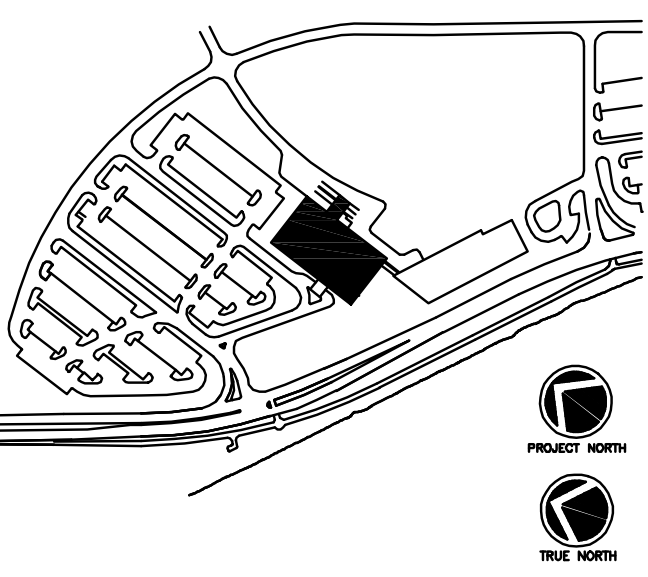
9 MEDIUM PRESSURE END-OF-MAIN STEAM TRAP NTS



5 FUME HOOD EXHAUST FAN & STACK NTS



1 SINGLE STAGE STEAM P.R.V. (PILOT OPERATED) WITH NOISE SUPPRESSORS NTS



Consultant  
 CIVIL ENGINEER  
 DeLuca-Hoffman Associates, Inc.  
 778 Main Street, Suite 8  
 South Portland, ME 04106  
 Phone: (207) 775-1121  
 Fax: (207) 879-0896

Consultant  
 ASSOCIATE ARCHITECT/STRUCTURAL ENGINEER  
 SMRT  
 144 Fore Street P.O. Box 618  
 Portland, Maine 04104  
 Phone: (207) 772-3846  
 Fax: (207) 772-1070

Consultant  
 MECHANICAL/ELECTRICAL ENGINEER  
 The Arsenal on the Chimes  
 311 Arsenal Street  
 Watertown, MA 02472-5789  
 Phone: (617) 254-0016  
 Fax: (617) 924-9339

Consultant  
 EQUIPMENT PLANNING  
 Gene Burton & Associates  
 1893 General George Patton Drive  
 Franklin, Tennessee 37067  
 Phone: (615) 376-3100  
 Fax: (615) 376-3114

Consultant  
 CONSTRUCTION MANAGER  
 Gibbons Building Company  
 7 Jackson Walkway  
 Providence, Rhode Island 02903  
 Phone: (401) 456-5905  
 Fax: (401) 456-5516

Consultant  
 FOOD SERVICE  
 Inman Foodservice, LLC  
 1808 West End Ave, Suite 1400  
 Nashville, TN 37203  
 Phone: (615) 321-5591  
 Fax: (615) 321-5689

It is the responsibility of the Construction Manager/General Contractor and all Sub-Contractors to verify all dimensions and accept conditions of prior work by related trades before proceeding with any work.

Date  
 11/10/06 Final-Issued for Construction  
 Drawn By  
 FA  
 Scale  
 N.T.S.

Francis

Cauffman

Foley

Hoffmann

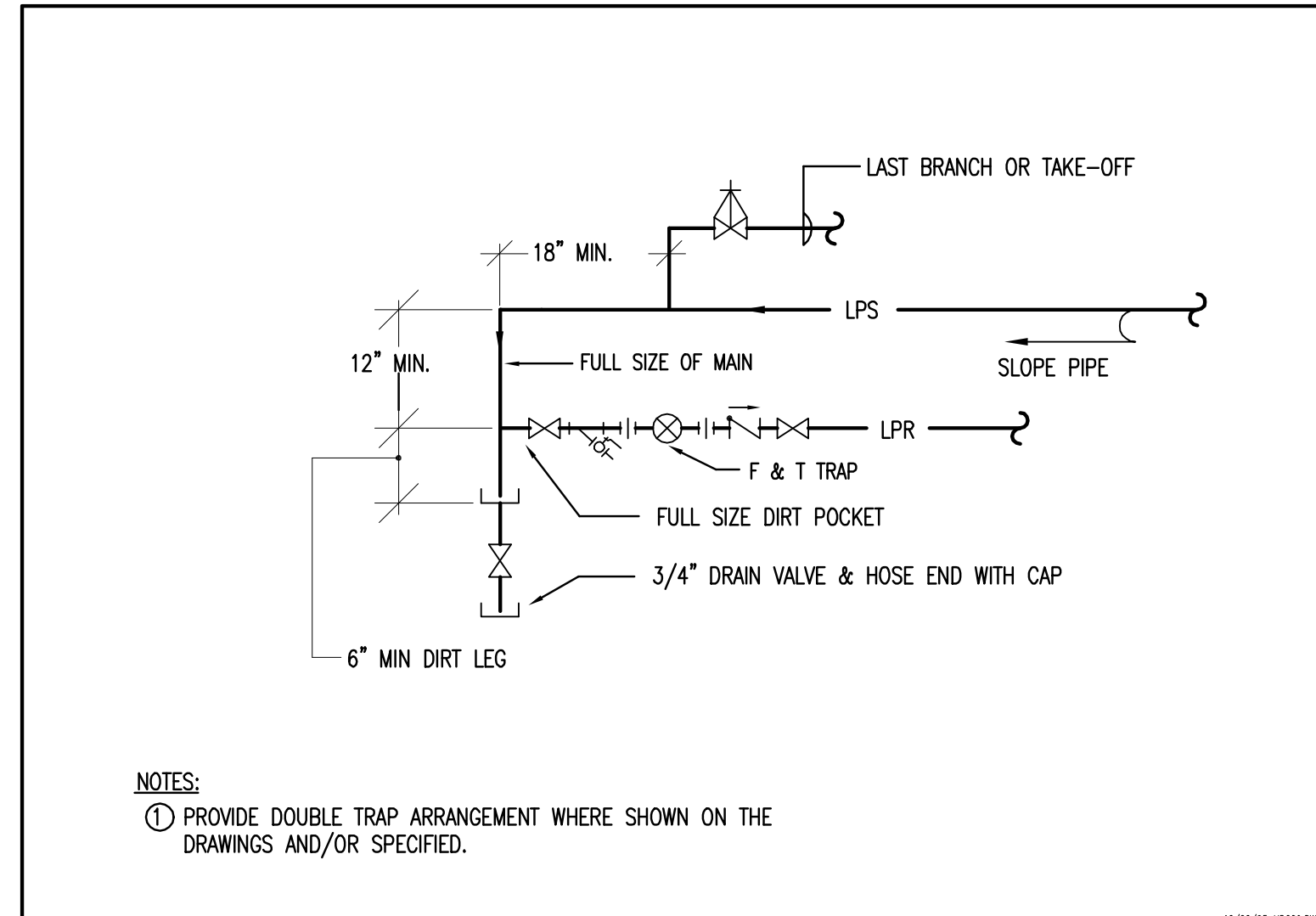
Francis Cauffman 2120 Arch Street  
 Foley Hoffmann Philadelphia, PA 19103  
 Architects Ltd. 215-568-8250

Project Title  
 Mercy Health Care System of Maine  
 FORE RIVER SHORT STAY HOSPITAL

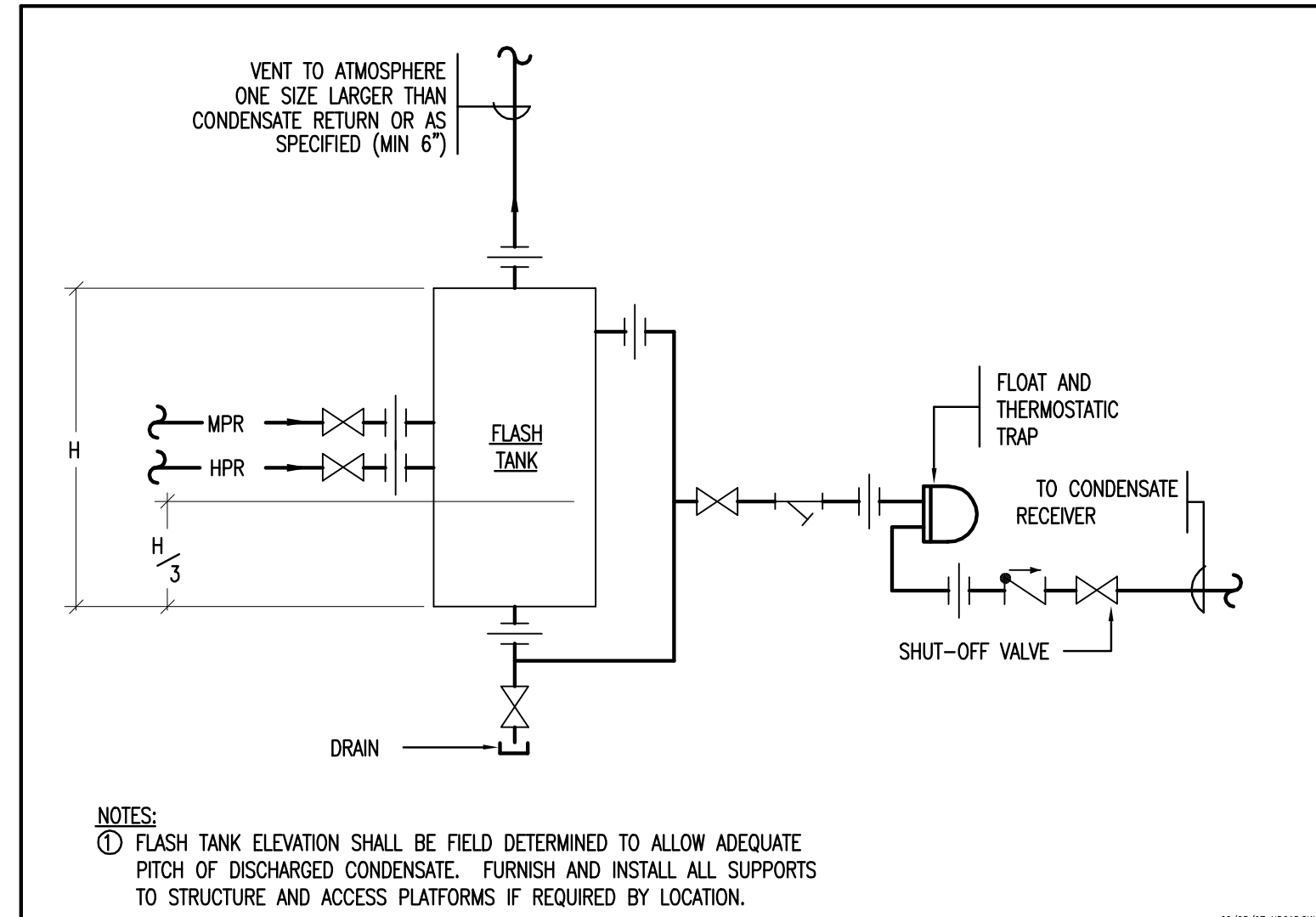


Project Number  
 F05-4898  
 Drawing Title and Number  
 HVAC STANDARD DETAILS

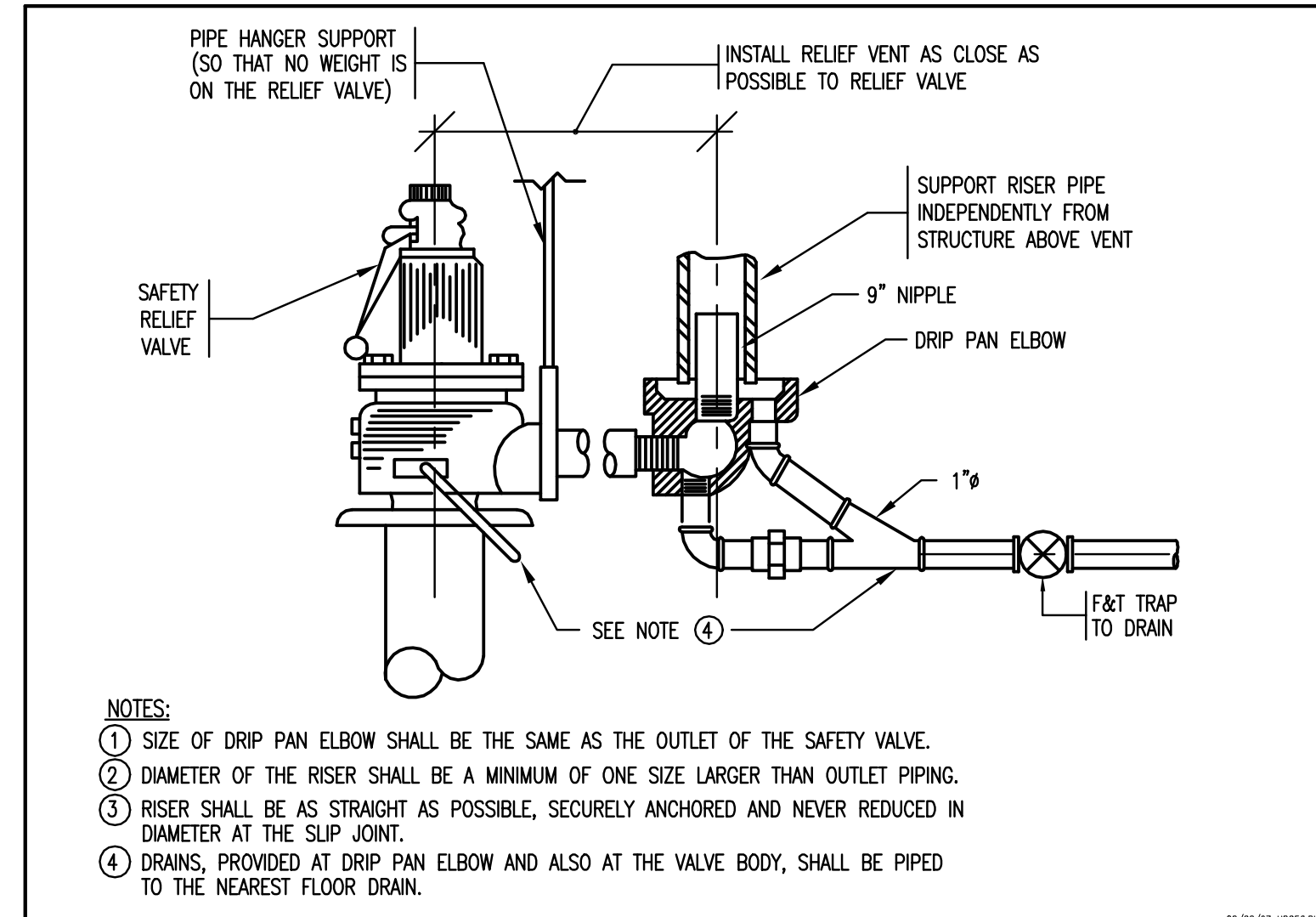
H5.04



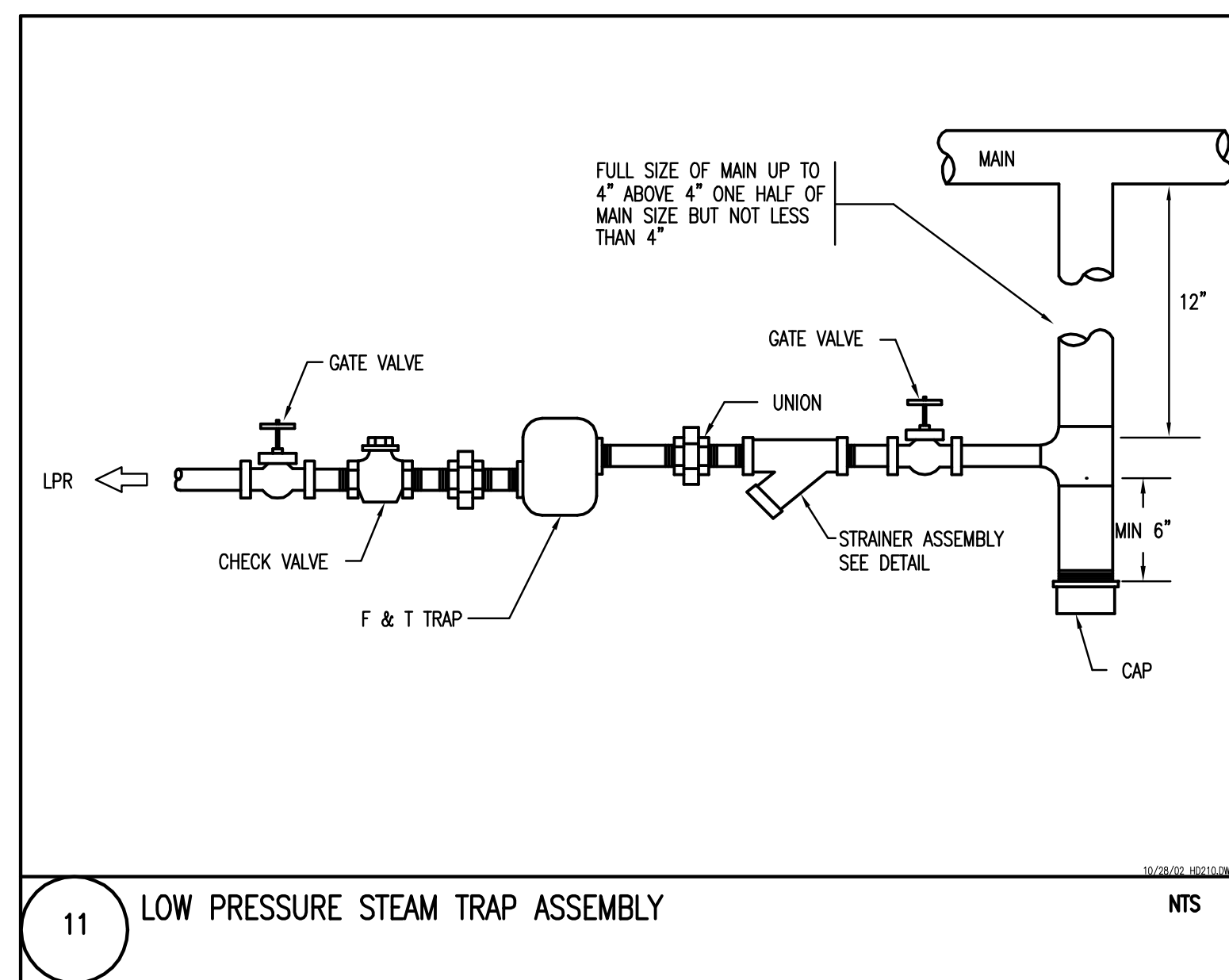
10 LOW PRESSURE END-OF-MAIN STEAM TRAP NTS



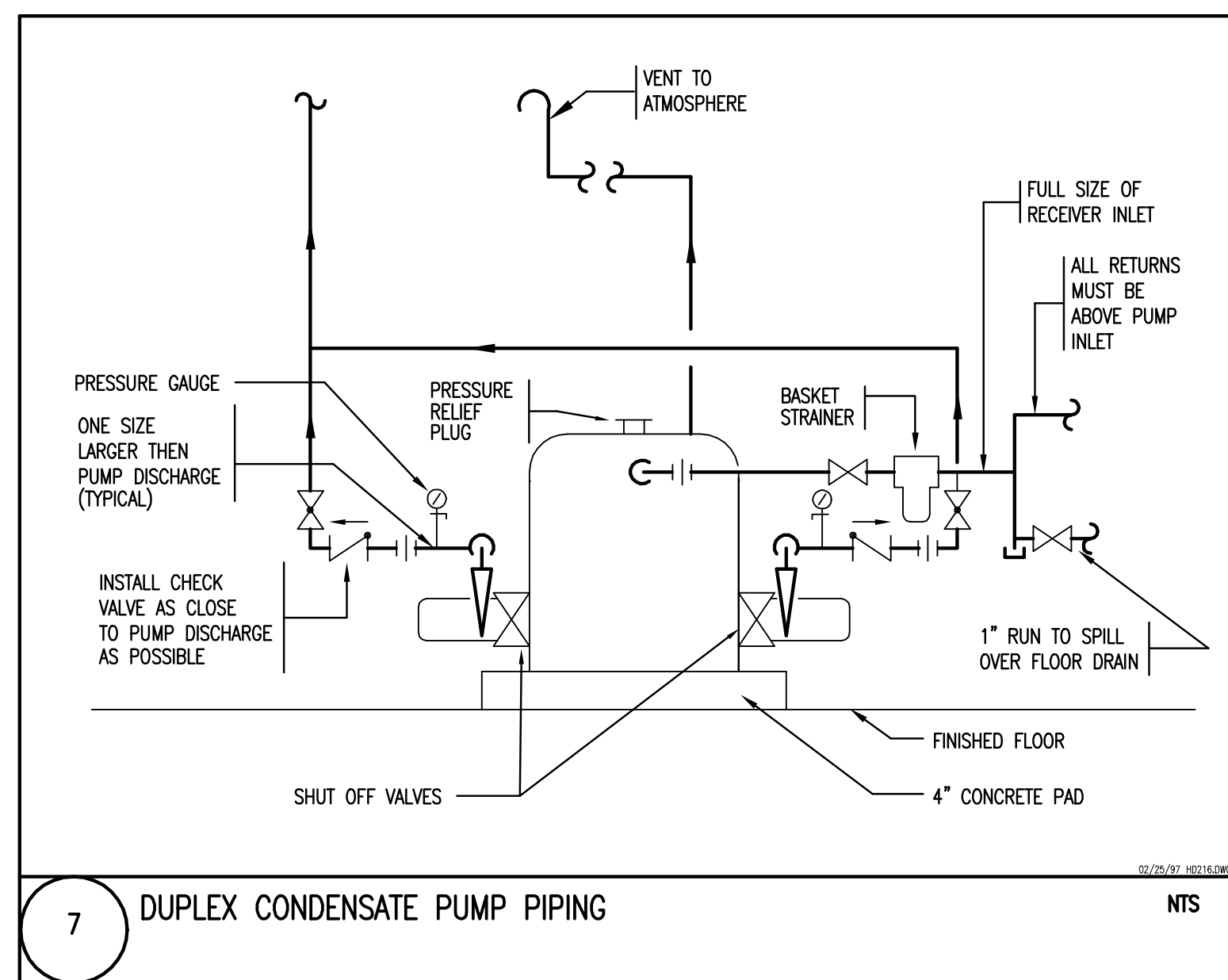
6 FLASH TANK VENTED TO ATMOSPHERE NTS



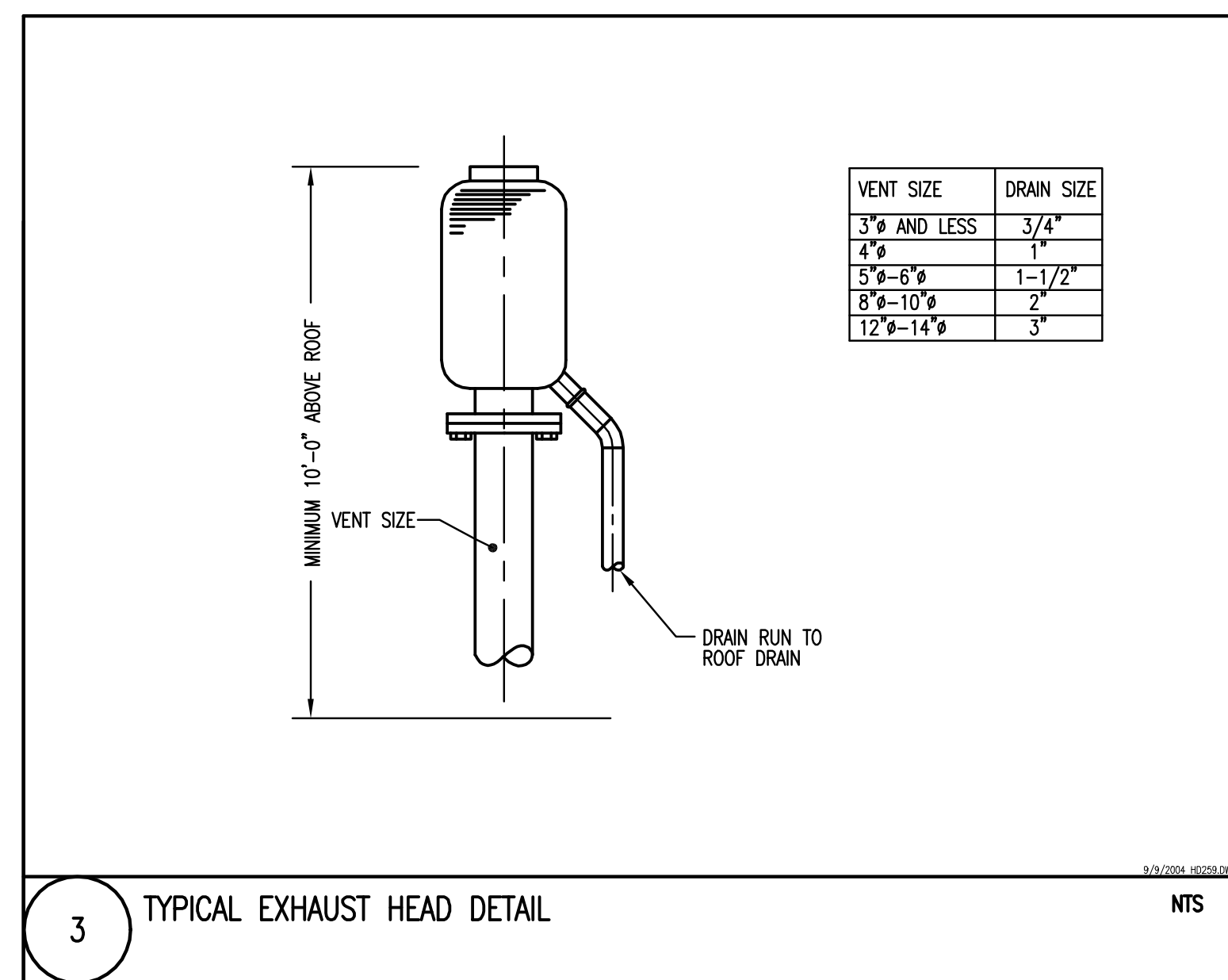
2 SAFETY VALVE WITH DRIP PAN ELBOW NTS



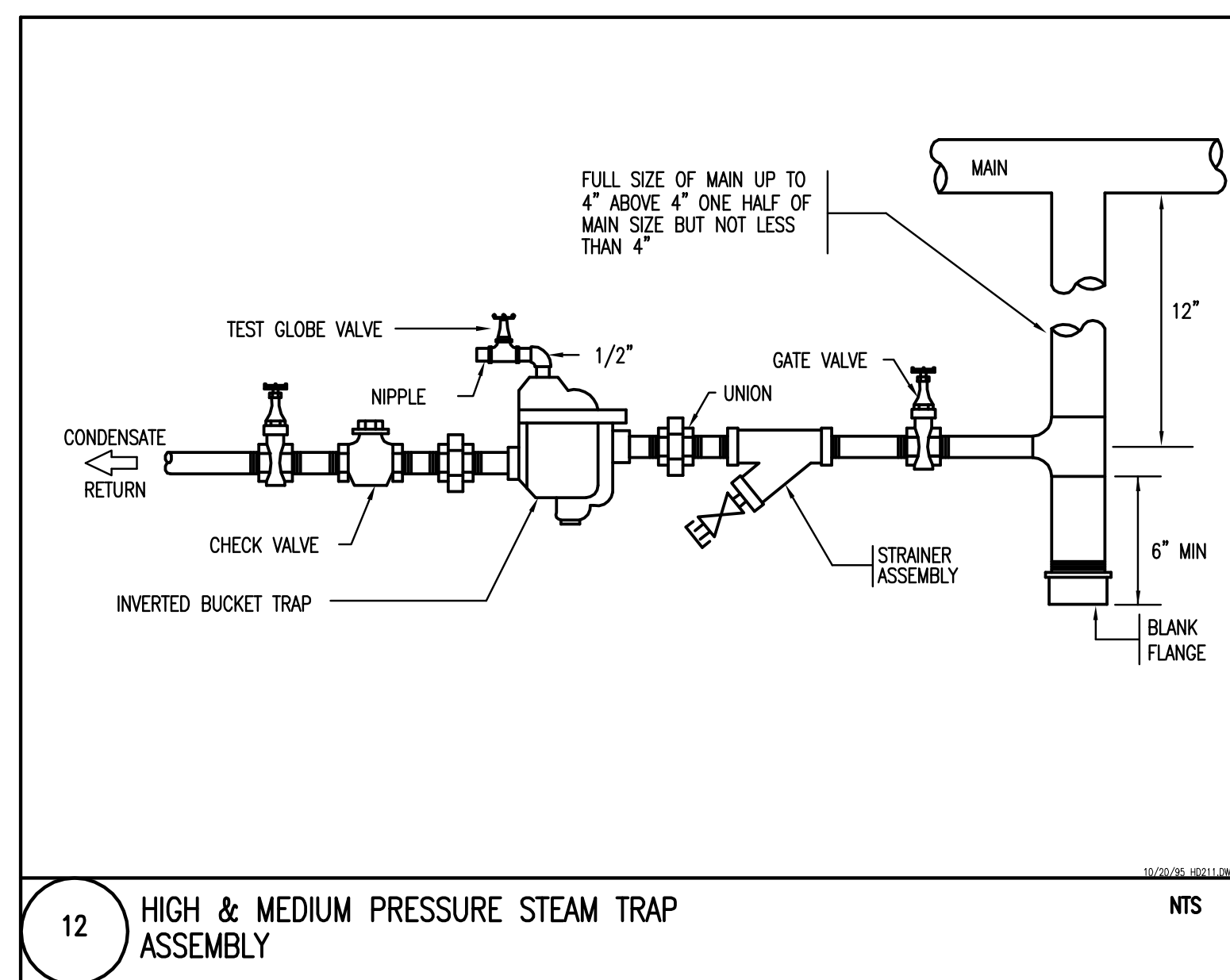
11 LOW PRESSURE STEAM TRAP ASSEMBLY NTS



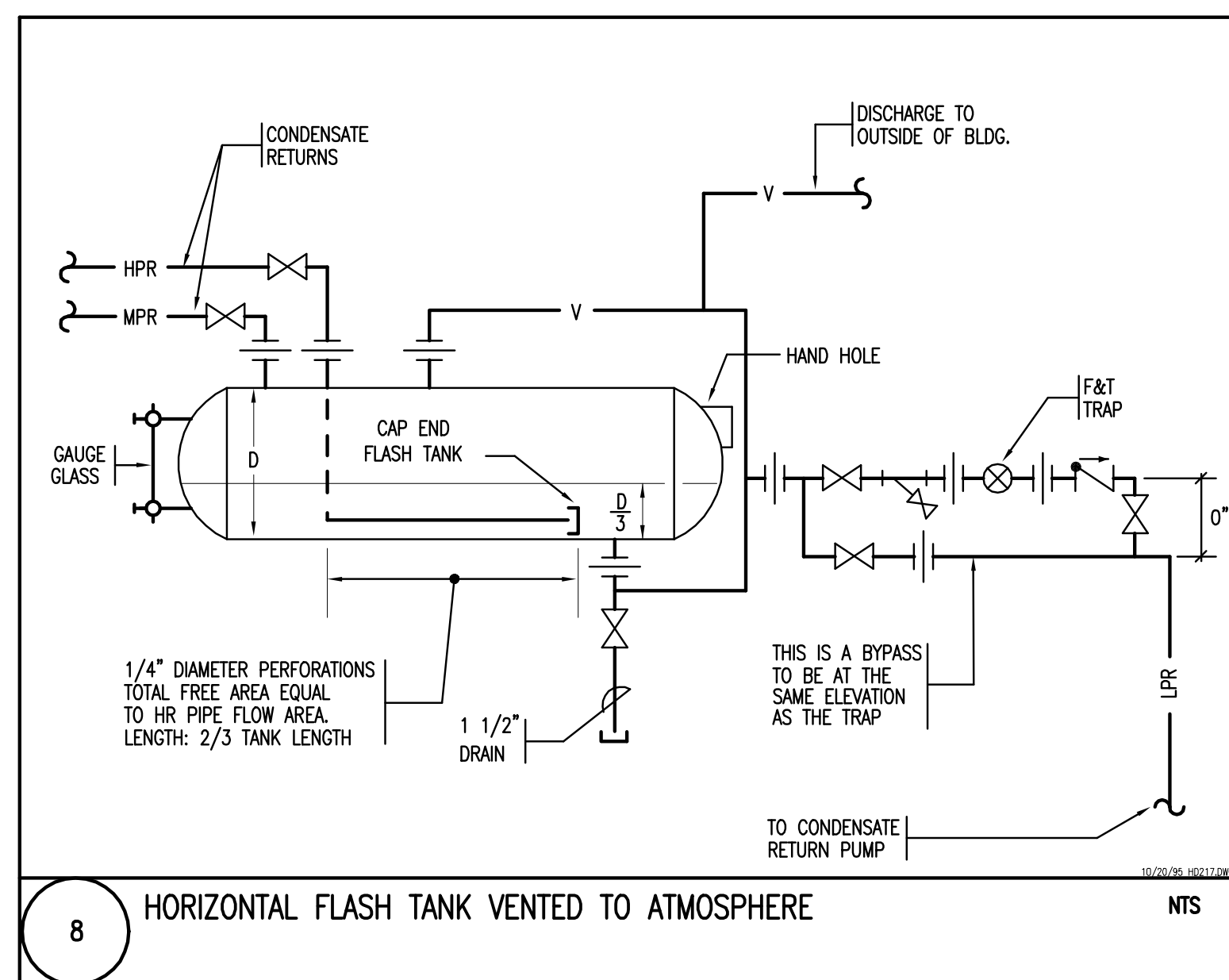
7 DUPLEX CONDENSATE PUMP PIPING NTS



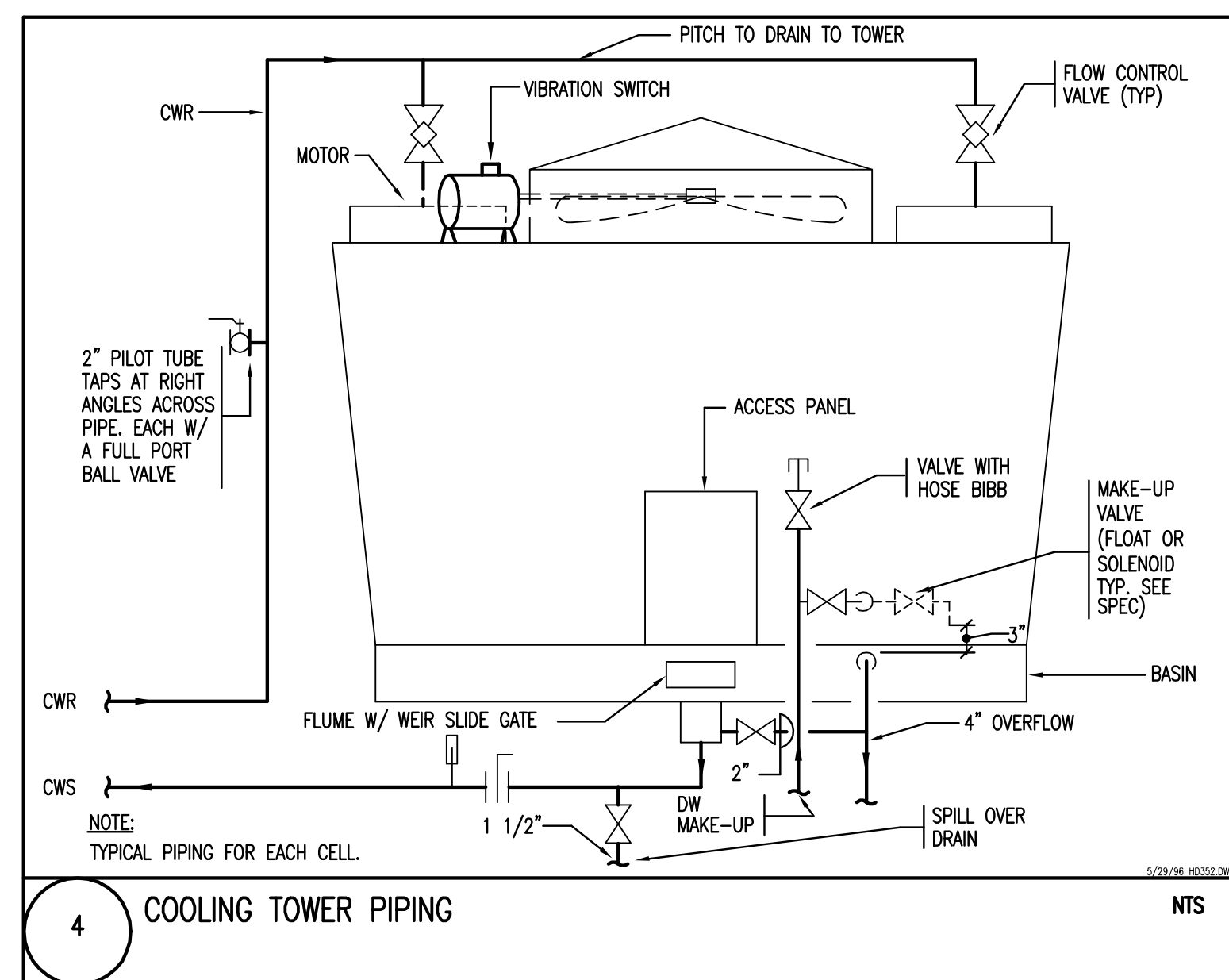
3 TYPICAL EXHAUST HEAD DETAIL NTS



12 HIGH & MEDIUM PRESSURE STEAM TRAP ASSEMBLY NTS



8 HORIZONTAL FLASH TANK VENTED TO ATMOSPHERE NTS



4 COOLING TOWER PIPING NTS