

Consultant
 Fire Protection
 Delcor-Hoffmann Associates, Inc.
 726 Main Street, Suite 406
 Philadelphia, PA 19103
 Phone: (267) 775-1121
 Fax: (267) 879-0888

Consultant
 Mechanical/Electrical Engineer
 Smith Group P.C., Box 618
 Philadelphia, PA 19104
 Phone: (267) 772-5846
 Fax: (267) 772-1070

Consultant
 Mechanical/Electrical Engineer
 Bond, Inc. + Associates Consulting Engineers, LLC
 311 Aerial Street
 Philadelphia, PA 19107
 Phone: (267) 754-0019
 Fax: (267) 754-0019

Consultant
 Equipment Planning
 1833 General George Patton Drive
 Fort Worth, Texas 76107
 Phone: (817) 376-3114
 Fax: (817) 376-3114

Consultant
 Construction Manager
 7 Johnson Walkway
 Philadelphia, PA 19103
 Phone: (610) 456-8999
 Fax: (610) 456-8999

Consultant
 Fire Protection
 Delcor-Hoffmann Associates, Inc.
 1808 West End Ave. Suite 1400
 Philadelphia, PA 19103
 Phone: (610) 321-5591
 Fax: (610) 321-5589

Consultant
 Fire Protection
 Delcor-Hoffmann Associates, Inc.
 1808 West End Ave. Suite 1400
 Philadelphia, PA 19103
 Phone: (610) 321-5591
 Fax: (610) 321-5589

Consultant
 Fire Protection
 Delcor-Hoffmann Associates, Inc.
 1808 West End Ave. Suite 1400
 Philadelphia, PA 19103
 Phone: (610) 321-5591
 Fax: (610) 321-5589

Consultant
 Fire Protection
 Delcor-Hoffmann Associates, Inc.
 1808 West End Ave. Suite 1400
 Philadelphia, PA 19103
 Phone: (610) 321-5591
 Fax: (610) 321-5589

Consultant
 Fire Protection
 Delcor-Hoffmann Associates, Inc.
 1808 West End Ave. Suite 1400
 Philadelphia, PA 19103
 Phone: (610) 321-5591
 Fax: (610) 321-5589

Consultant
 Fire Protection
 Delcor-Hoffmann Associates, Inc.
 1808 West End Ave. Suite 1400
 Philadelphia, PA 19103
 Phone: (610) 321-5591
 Fax: (610) 321-5589

Consultant
 Fire Protection
 Delcor-Hoffmann Associates, Inc.
 1808 West End Ave. Suite 1400
 Philadelphia, PA 19103
 Phone: (610) 321-5591
 Fax: (610) 321-5589

Consultant
 Fire Protection
 Delcor-Hoffmann Associates, Inc.
 1808 West End Ave. Suite 1400
 Philadelphia, PA 19103
 Phone: (610) 321-5591
 Fax: (610) 321-5589

Consultant
 Fire Protection
 Delcor-Hoffmann Associates, Inc.
 1808 West End Ave. Suite 1400
 Philadelphia, PA 19103
 Phone: (610) 321-5591
 Fax: (610) 321-5589

Consultant
 Fire Protection
 Delcor-Hoffmann Associates, Inc.
 1808 West End Ave. Suite 1400
 Philadelphia, PA 19103
 Phone: (610) 321-5591
 Fax: (610) 321-5589

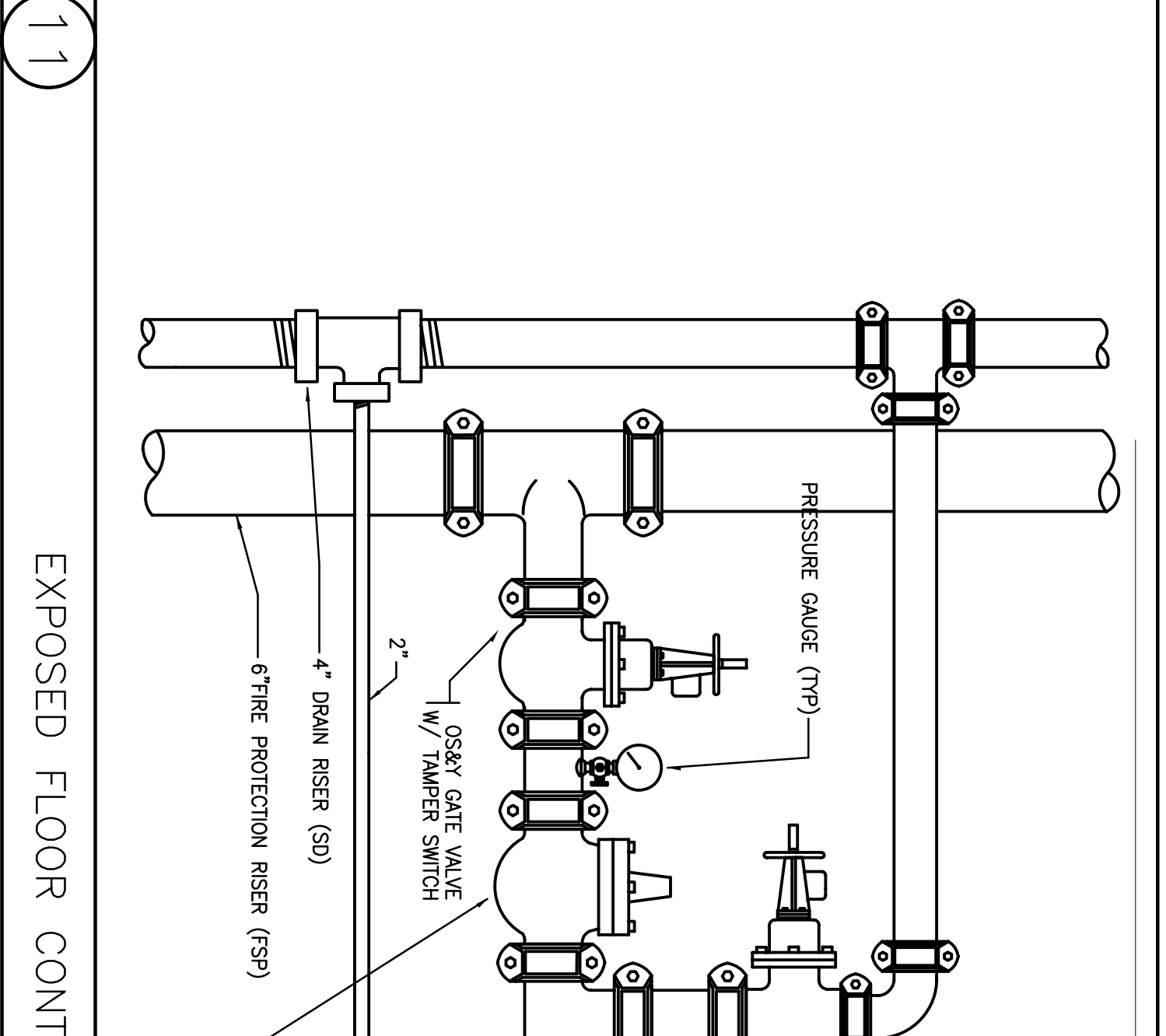
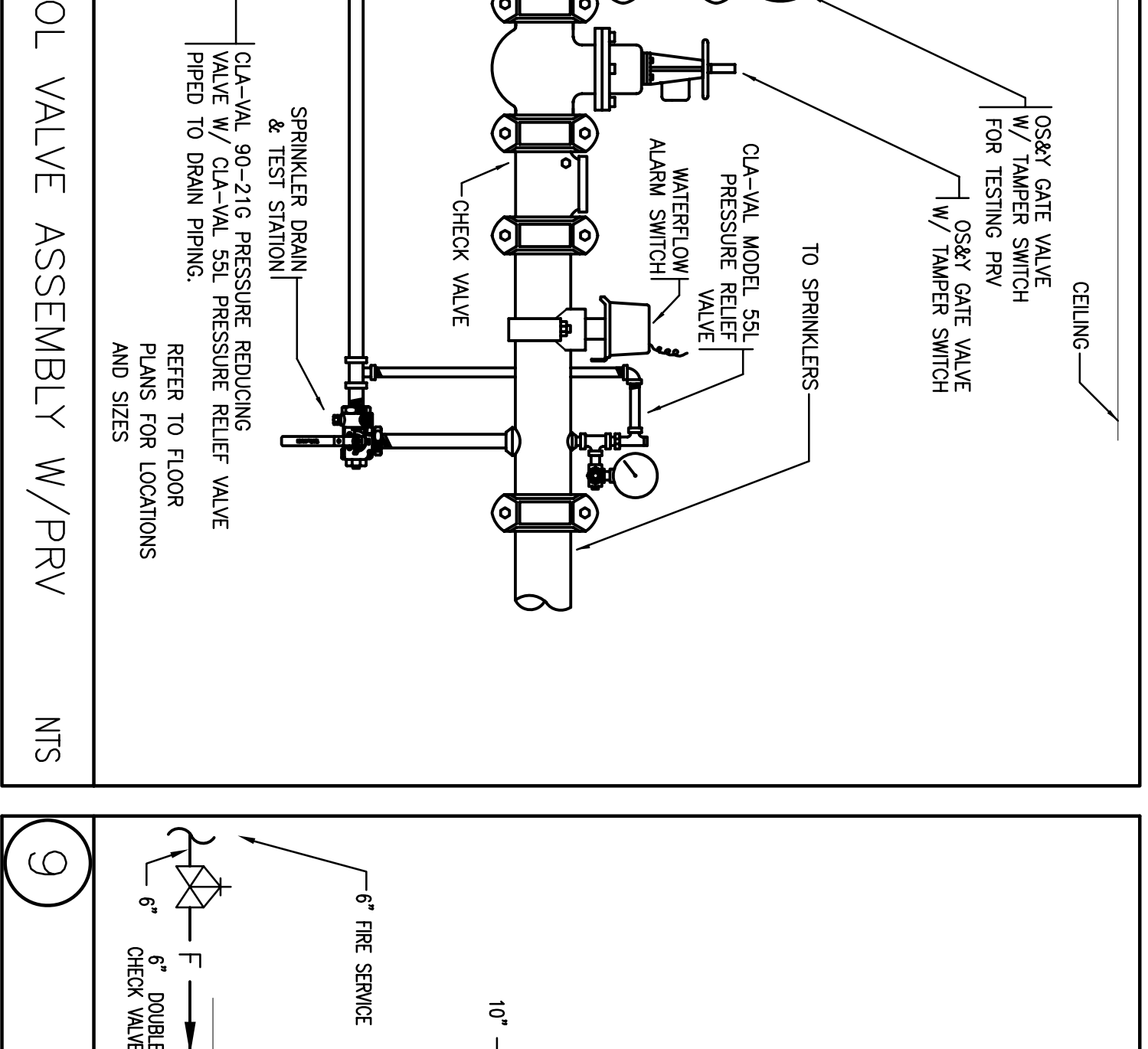
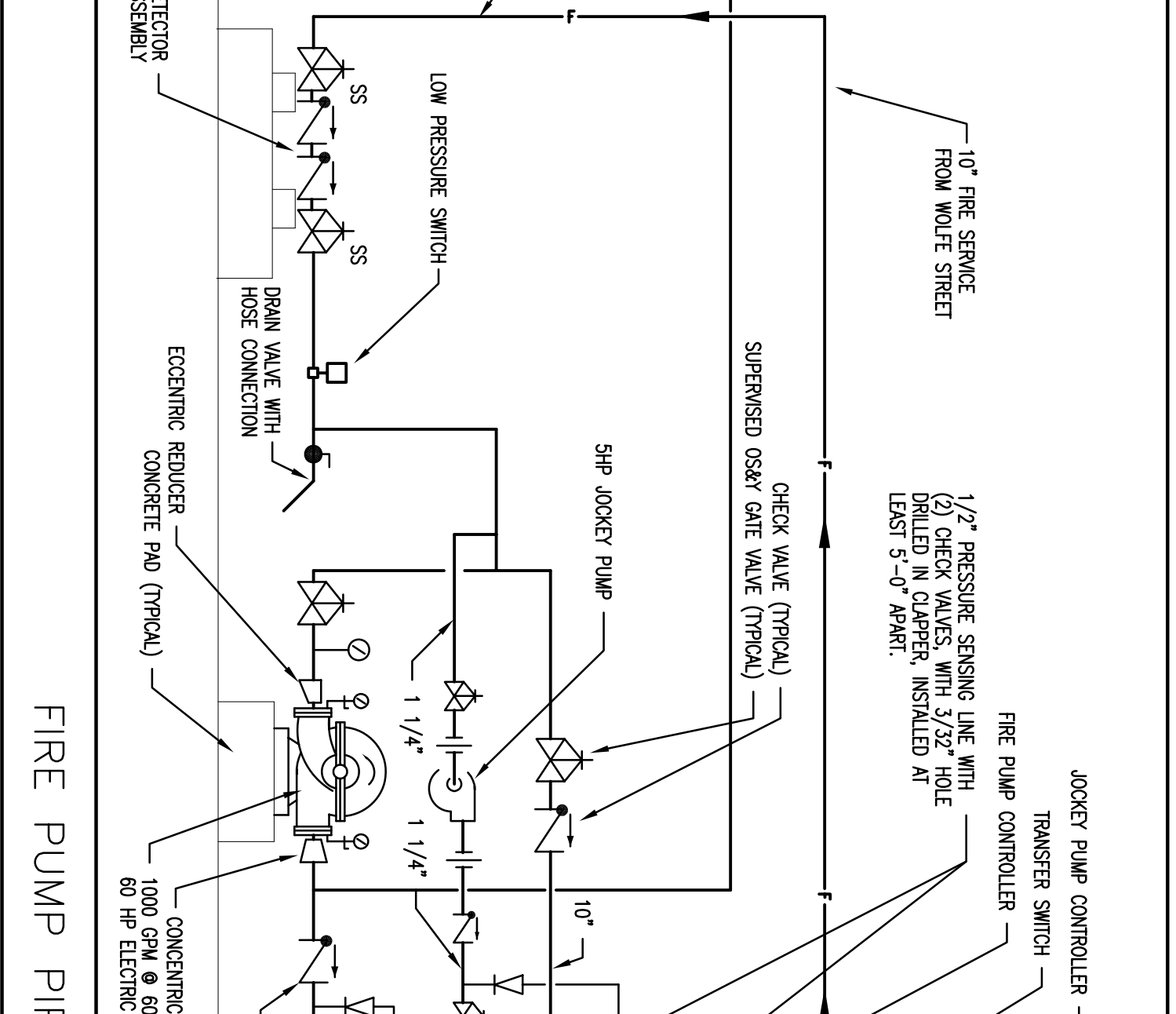
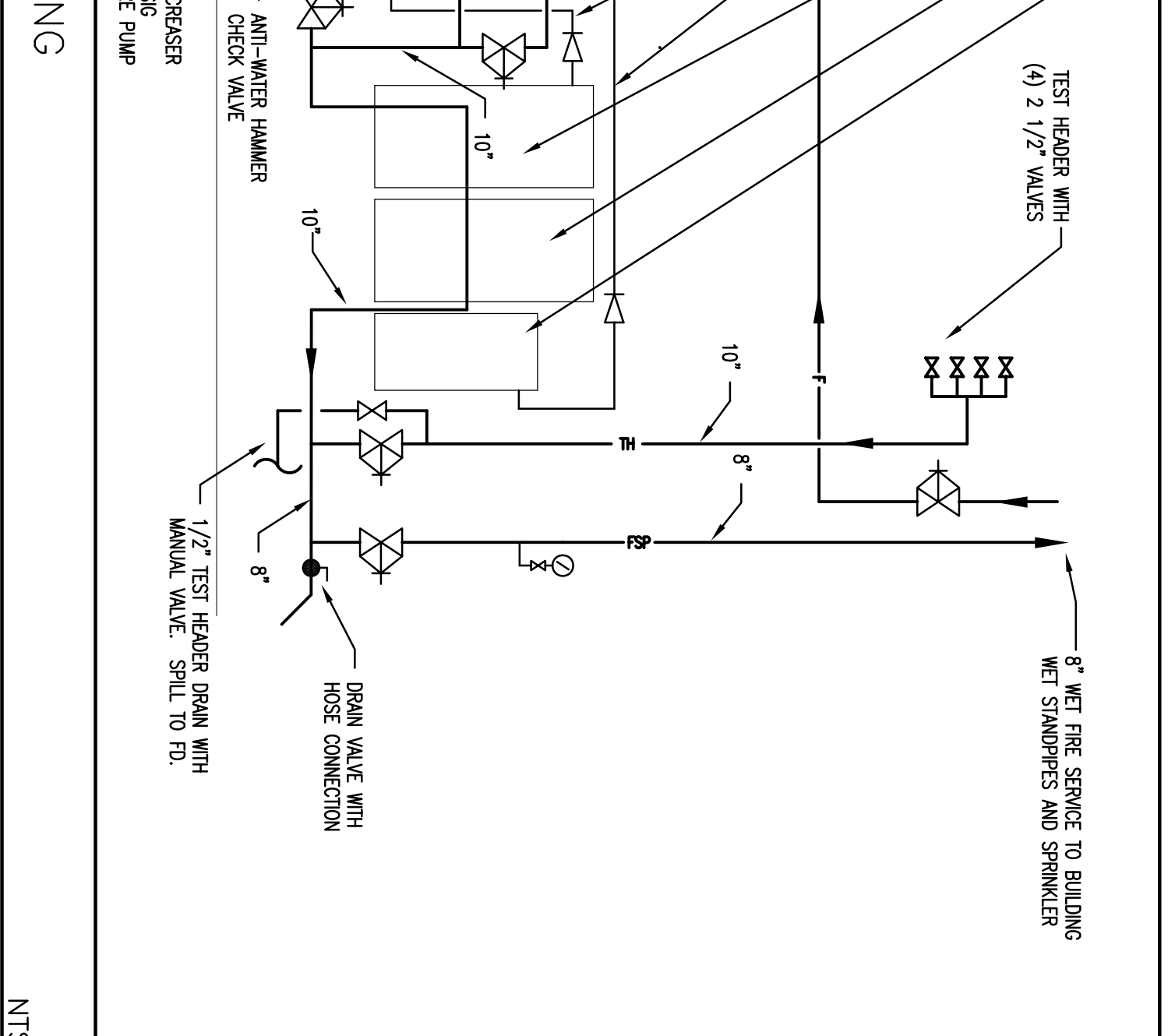
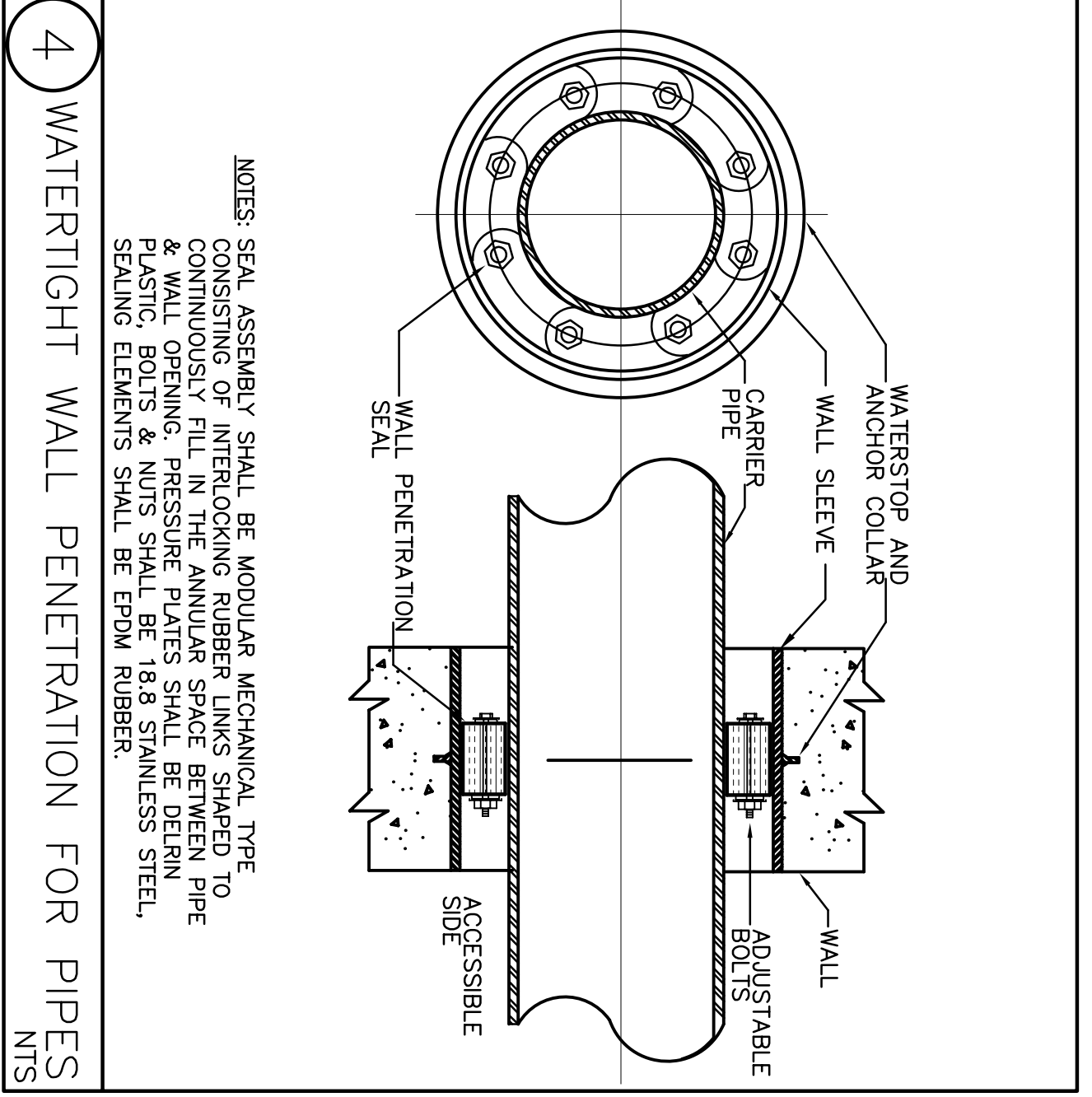
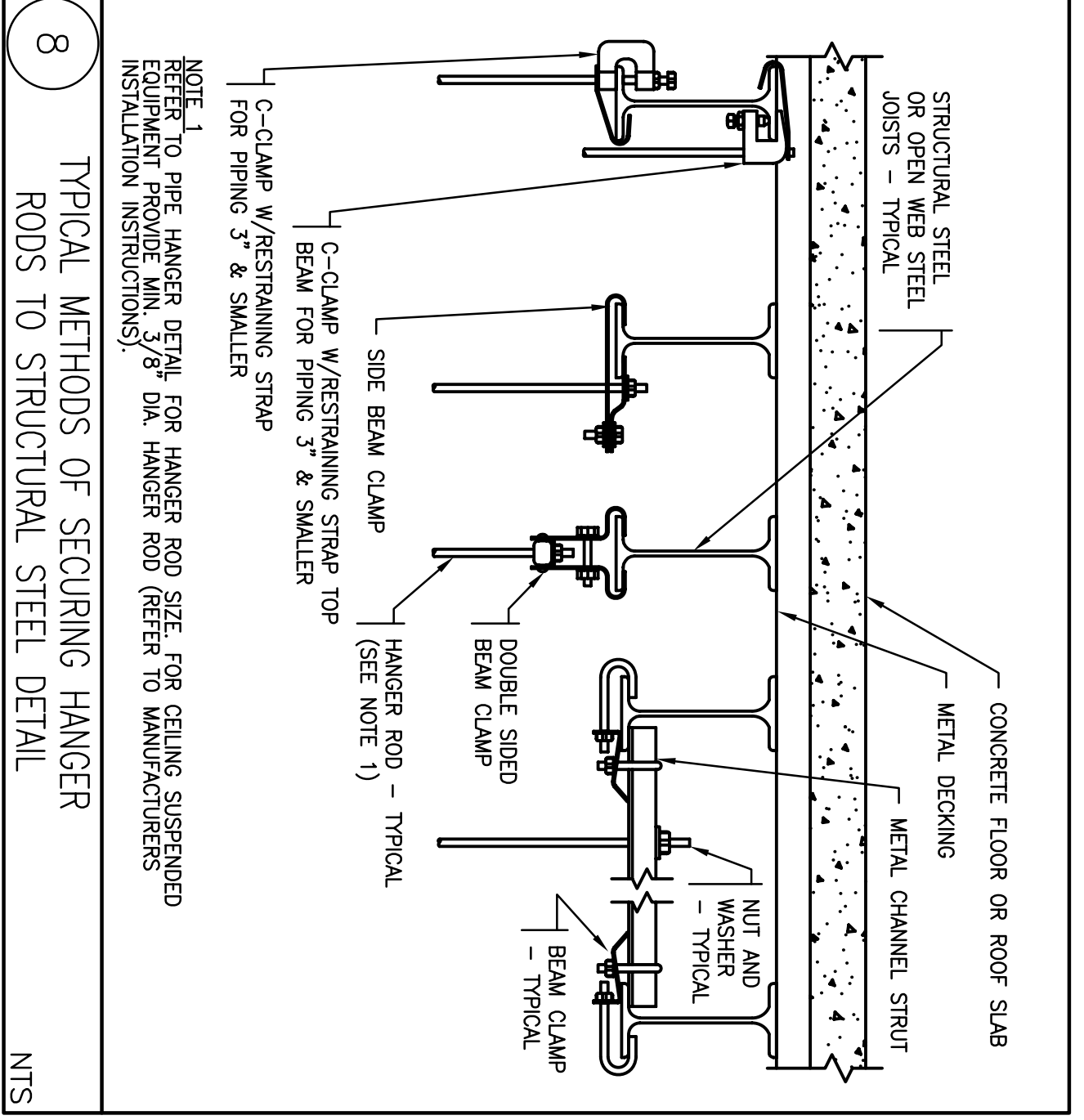
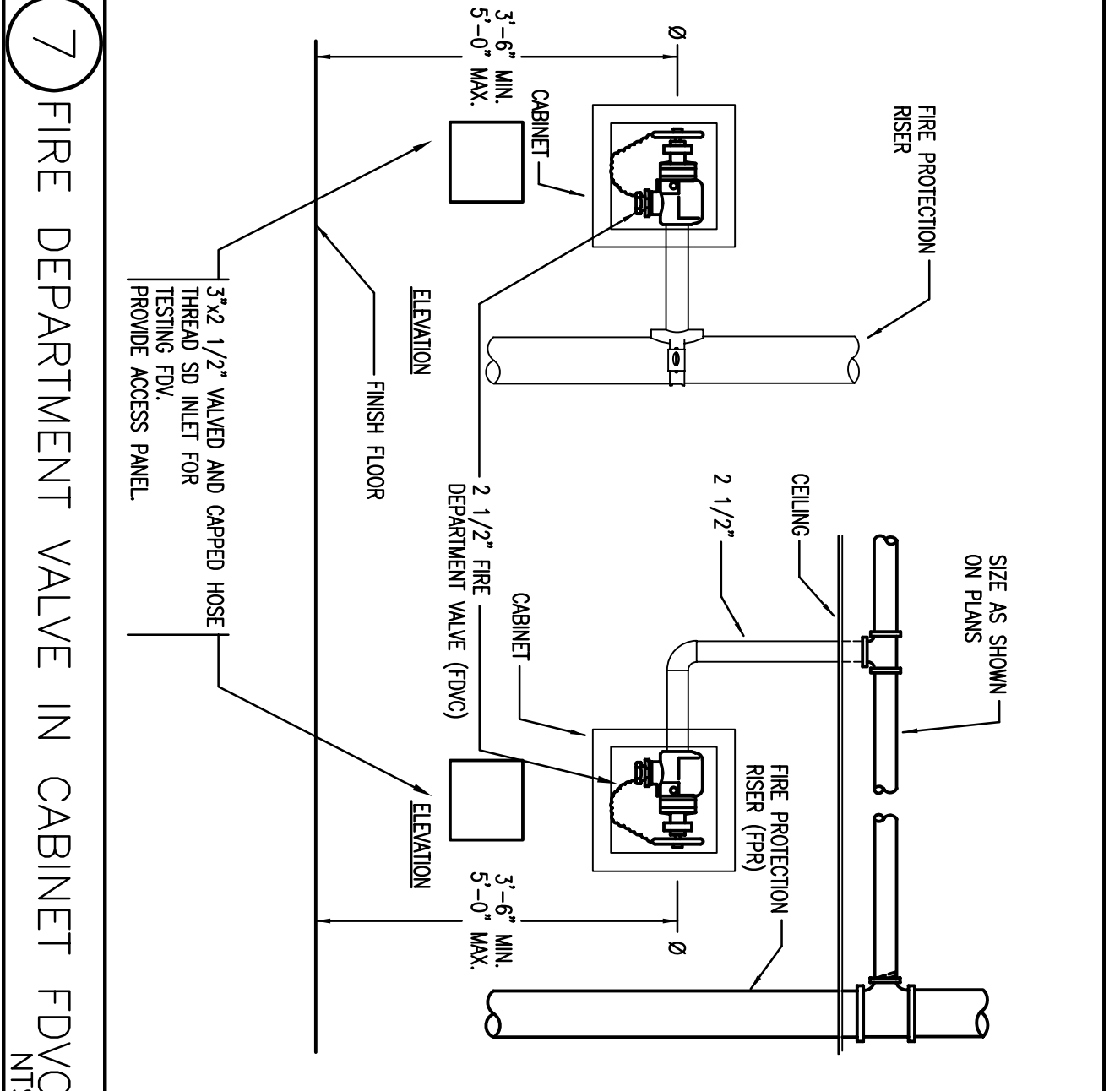
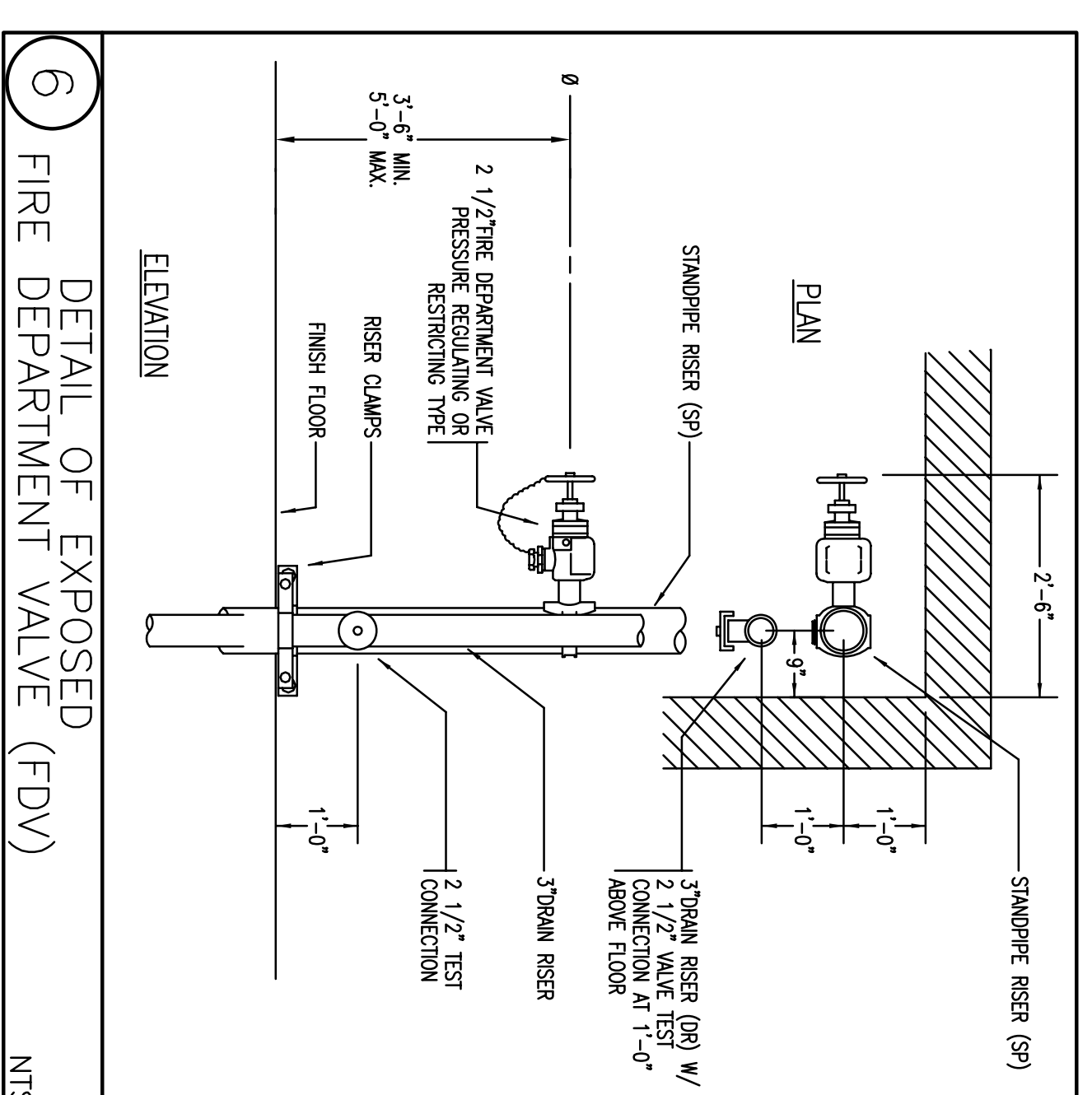
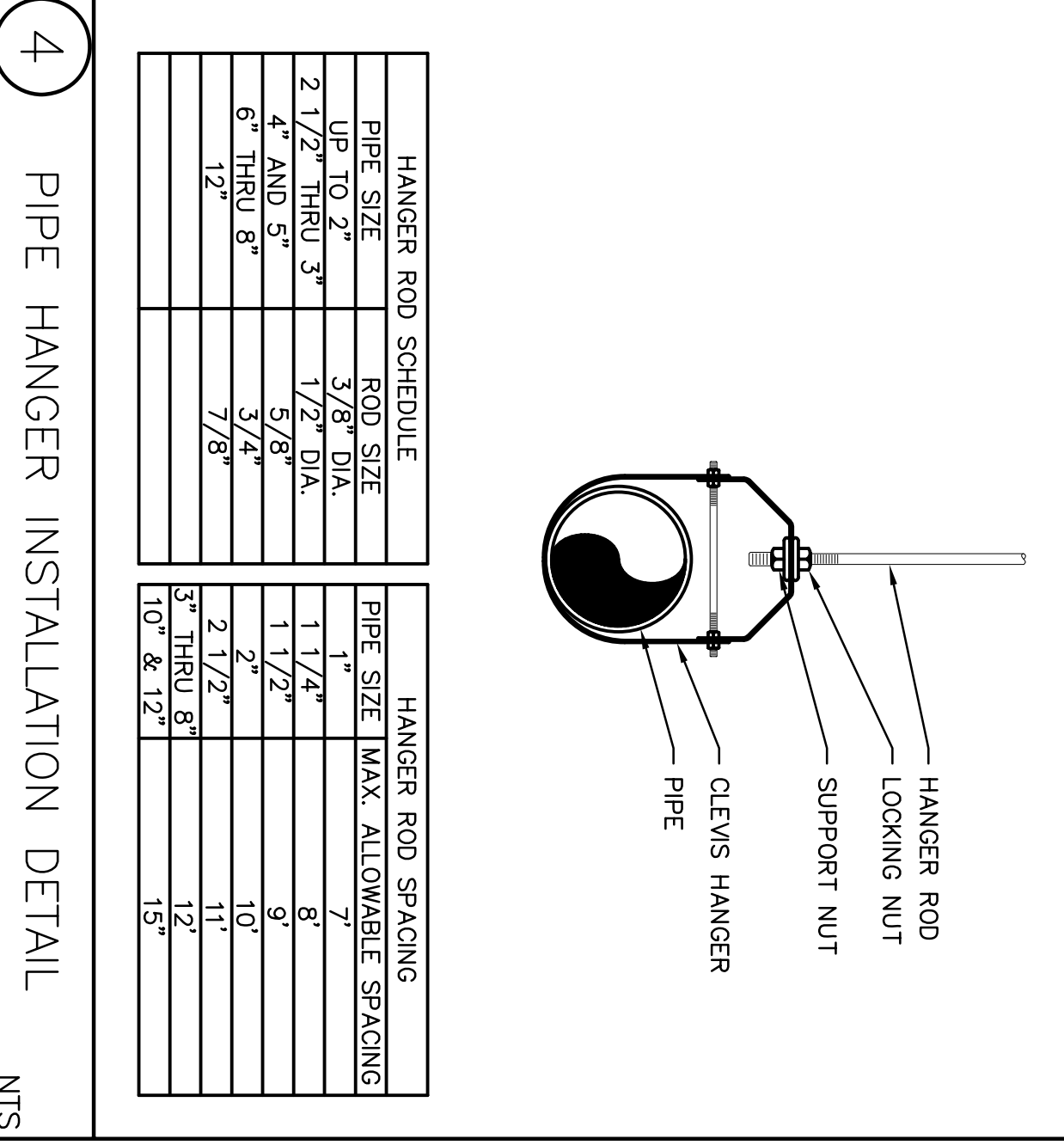
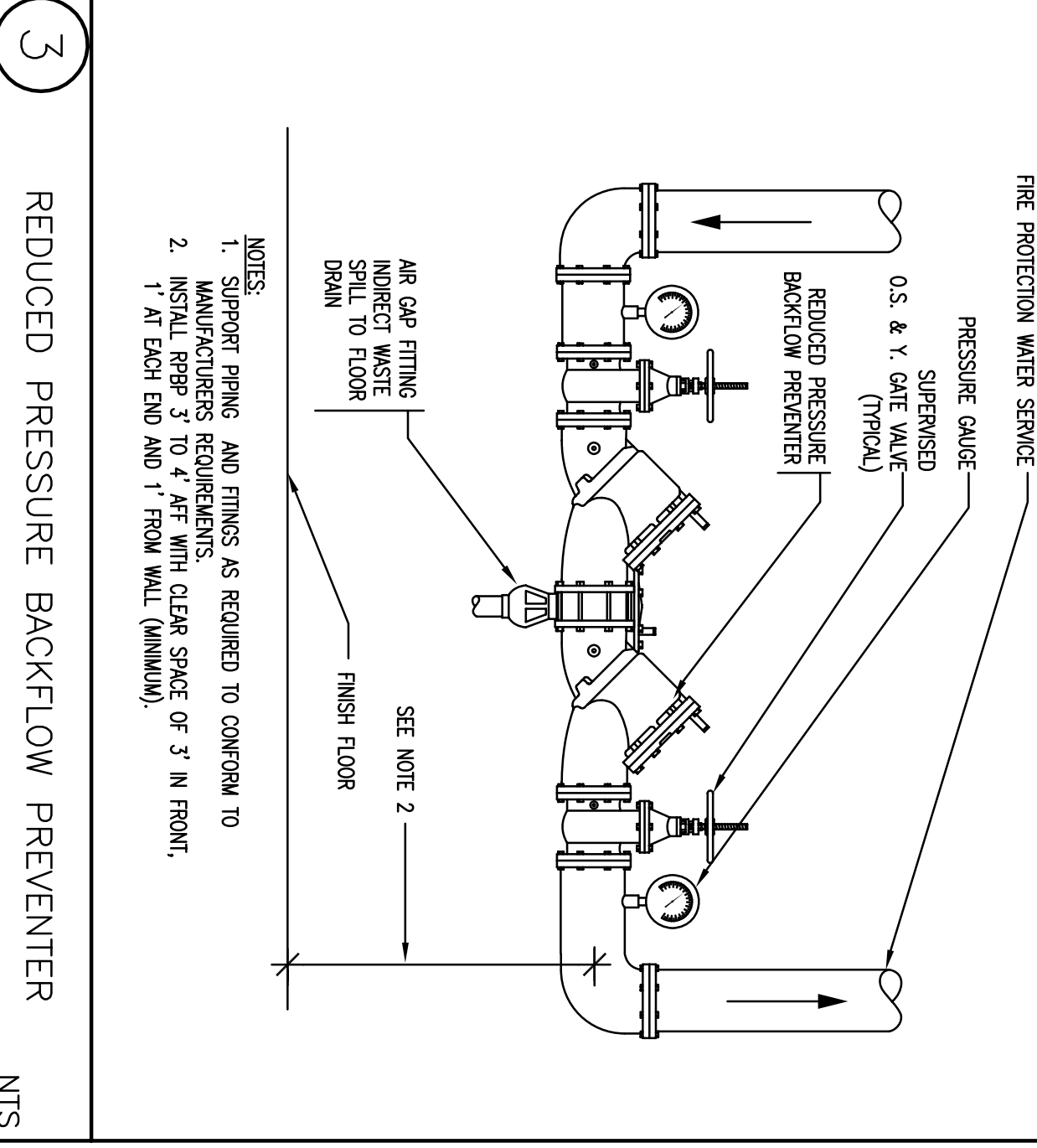
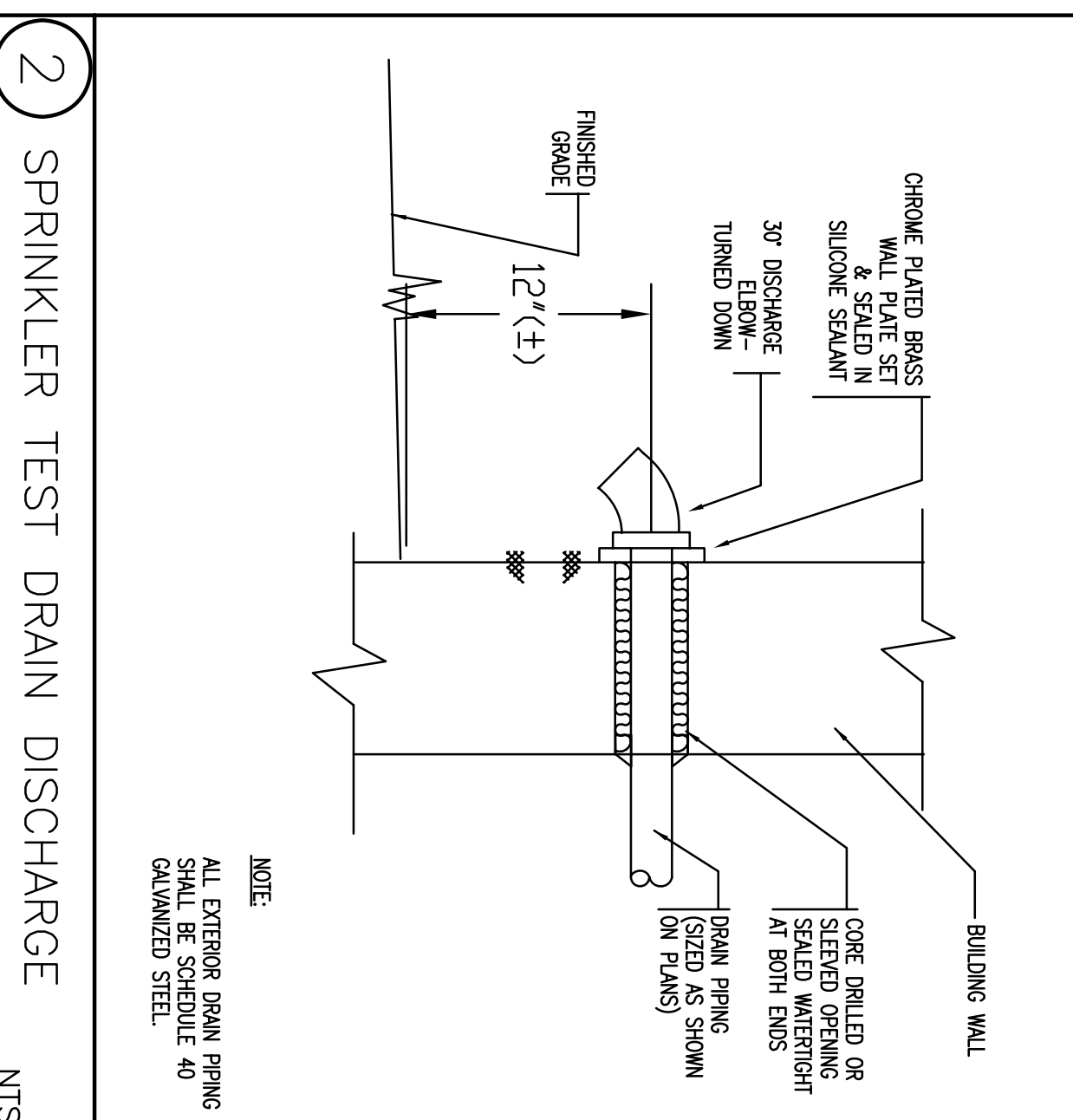
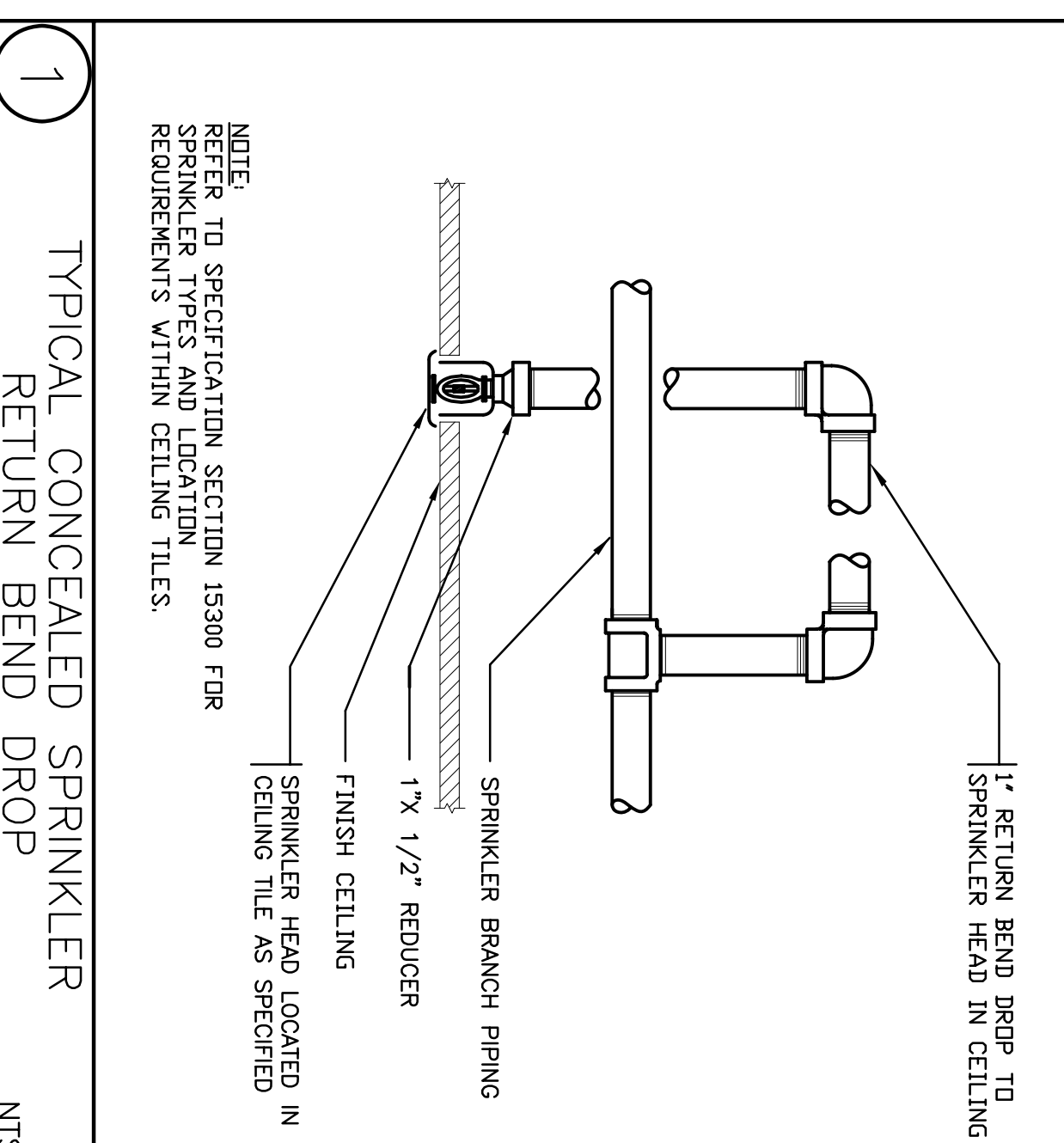
Consultant
 Fire Protection
 Delcor-Hoffmann Associates, Inc.
 1808 West End Ave. Suite 1400
 Philadelphia, PA 19103
 Phone: (610) 321-5591
 Fax: (610) 321-5589

Consultant
 Fire Protection
 Delcor-Hoffmann Associates, Inc.
 1808 West End Ave. Suite 1400
 Philadelphia, PA 19103
 Phone: (610) 321-5591
 Fax: (610) 321-5589

Consultant
 Fire Protection
 Delcor-Hoffmann Associates, Inc.
 1808 West End Ave. Suite 1400
 Philadelphia, PA 19103
 Phone: (610) 321-5591
 Fax: (610) 321-5589

FIRE PROTECTION LEGEND, SYMBOLS AND ABBREVIATIONS

ER	LIGHT LINE INDICATES EXISTING PIPE TO REMAIN
RE	REMOVE EXISTING
CTE	CONNECT TO EXISTING
F	FIRE MAIN
F	FIRE MAIN UNDERGROUND
FSP	STANDPIPE (ME)
DSP	DRY STANDPIPE
SPR	WET SPRINKLER PIPE
DS	DRY SPRINKLER PIPE
PA	PRE-ACTION SPRINKLER PIPE
SD	SPRINKLER DRAIN
UP	UPRIGHT SPRINKLER HEAD
SD	PENDENT SPRINKLER HEAD
SD	SIEMMEL SPRINKLER HEAD
UP	DRY PENDENT OR UPRIGHT SPRINKLER HEAD
UP	EXISTING SPRINKLER HEAD TO BE REMOVED
UP	CAPPED PIPE
UP	WATERTIGHT SLEEVE
UP	PIPE DOWN
UP	PIPE UP
UP	PIPE DROP
UP	ARROW INDICATES DIRECTION OF FLOW
UP	ARROW INDICATES DIRECTION OF SLOPE DOWN
UP	NON-INDICATING VALVE
UP	INDICATING VALVE WITH SUPERVISORY SWITCH
UP	PRESSURE REDUCING VALVE
UP	HOSE END DRAIN VALVE
UP	PRESSURE RELIEF VALVE
UP	CHECK VALVE
UP	CHECK VALVE W/ AUTOMATIC BALL DRIP
UP	VALVE IN VERTICAL
UP	FLOW SWITCH
UP	FIRE DEPARTMENT VALVE CABINET AND TYPE
UP	FIRE HOSE RACK AND TYPE
UP	FIRE DEPARTMENT VALVE AND TYPE STRAINER
UP	CONCRETE THRUST BLOCK
UP	DOUBLE CHECK VALVE ASSEMBLY
UP	REDUCED PRESSURE BACKFLOW PREVENTOR
UP	FLOOR CONTROL VALVE ASSEMBLY
UP	WET ALARM CHECK VALVE
UP	DRY ALARM CHECK VALVE
UP	PRE-ACTION VALVE
UP	FIRE DEPARTMENT CONNECTION & TYPE
UP	POST INDICATOR VALVE WITH SUPERVISORY SWITCH
UP	WATER MOTOR CONG
UP	ELECTRIC ALARM BELL
UP	HYDRAULIC NOISE POINT DESIGNATION
UP	NOT IN FIRE PROTECTION CONTRACT
UP	LIMIT OF FIRE PROTECTION CONTRACT
UP	NOT TO SCALE
UP	FURNISH & INSTALL
UP	TYPICAL
UP	ABOVE FINISHED FLOOR
UP	ABOVE FINISHED GRADE
UP	NORMALLY CLOSED
UP	WALL INDICATOR VALVE WITH SUPERVISORY SWITCH
UP	FURNISHED BY OWNER
UP	GENERAL CONTRACTOR
UP	FIRE PROTECTION CONTRACTOR
UP	ELECTRICAL CONTRACTOR
UP	ACCESS PANEL



MERCY
 Mercy Health Core
 System of Maine
 FORE RIVER SHORT
 STAY HOSPITAL

Hoffmann
 2120 Arch Street
 Philadelphia, PA 19103
 215-568-8250

Foley

Francis

Cauffman

Project Title
 Fore River Short Stay Hospital

Project Number
 FOS-4898

Drawing Title
 Fire Protection Legend & Details

FP0.00