

GENERAL NOTES

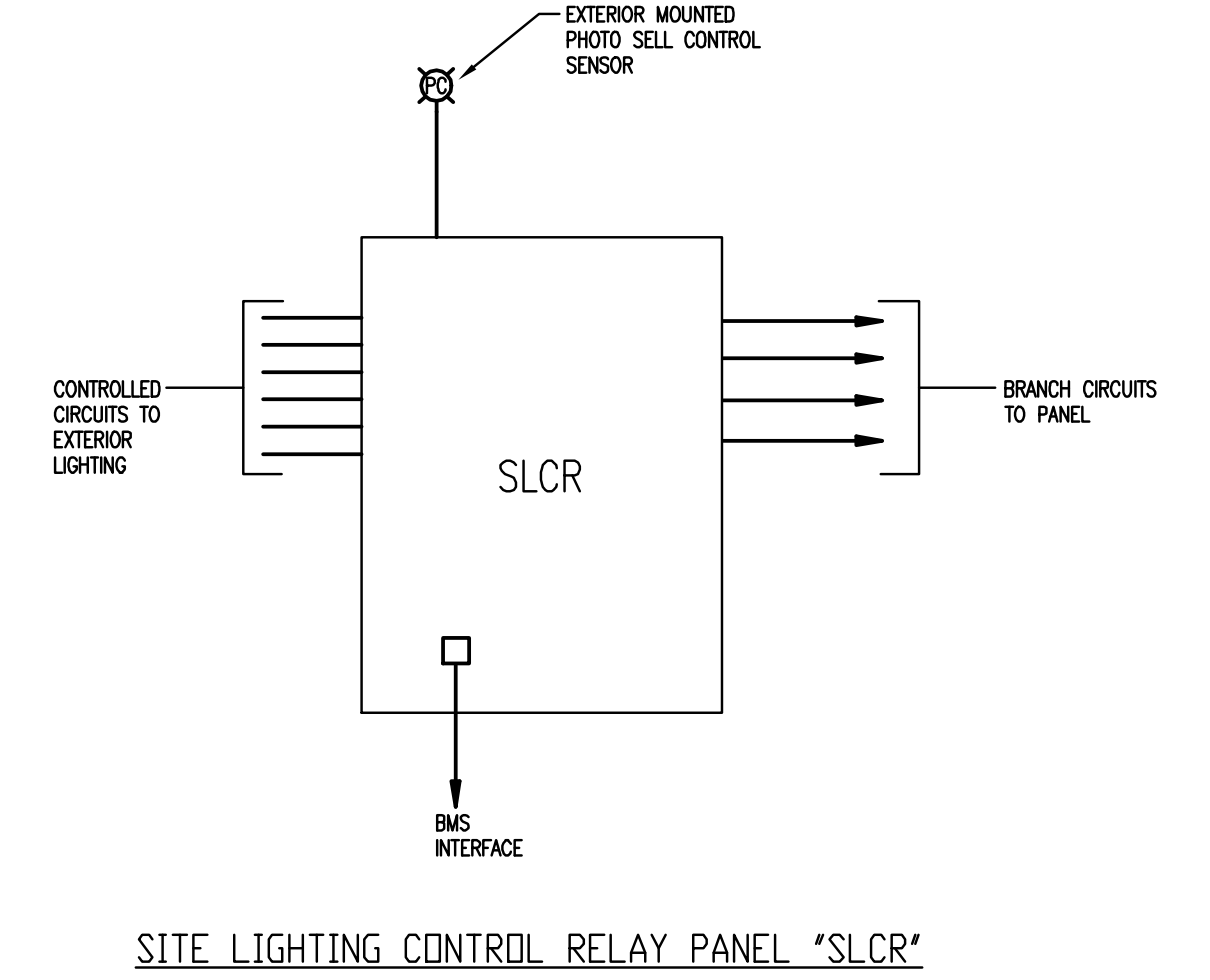
- CONDUCTOR SIZE TO FIXTURE CIRCUIT RUN OUTS SHALL BE 2#10 & 1#10C-1°C, TAPPED FROM MAIN SUPPLY CONDUCTOR IN HANDHOLES.
- REFER TO SITE CIVIL DRAWINGS FOR FIXTURE LOCATIONS AND INSTALLATION DETAILS. THIS PLAN IS FOR BRANCH CIRCUITING REQUIREMENTS.

SITE LIGHTING FEEDER SCHEDULE

CIRCUIT TAG	BRANCH CIRCUIT			CONDUIT	SITE LIGHTING CONTROL
	PANEL	CIRCUIT	VOLTAGE		
L4SL 10	277V	(1)-20A-1P	2#6 & 1#6C	2 1/2"	RE1 SLCR
L4SL 11	277V	(1)-20A-1P	2#6 & 1#6C	2 1/2"	RE2 SLCR
EQ462 4	277V	(1)-20A-1P	2#6 & 1#6C	2 1/2"	RE3 SLCR
R201 1,3	120V	(2)-20A-1P	4#6 & 1#6C	2 1/2"	UN-SWITCHED
L4SL 8	277V	(1)-20A-1P	2#6 & 1#6C	2 1/2"	RE4 SLCR
L4SL 9	277V	(1)-20A-1P	2#6 & 1#6C	2 1/2"	RE5 SLCR
EQ462 4	277V	(1)-20A-1P	2#6 & 1#6C	2 1/2"	RE3 SLCR
R201 4	120V	(2)-20A-1P	4#6 & 1#6C	2 1/2"	UN-SWITCHED
L4SL 9	277V	(1)-20A-1P	2#6 & 1#6C	2 1/2"	RE5 SLCR
EQ462 2	277V	(2)-20A-1P	2#6 & 1#6C	2 1/2"	RE5/RE3 SLCR
R201 4	120V	(2)-20A-1P	4#6 & 1#6C	2 1/2"	UN-SWITCHED
L4SL 8	277V	(1)-20A-1P	2#6 & 1#6C	2 1/2"	RE4 SLCR
L4SL 7	277V	(1)-20A-1P	2#6 & 1#6C	2 1/2"	RE7 SLCR
EQ462 2,4	277V	(2)-20A-1P	4#6 & 1#6C	2 1/2"	RE6 SLCR
R201 1,3	120V	(2)-20A-1P	4#6 & 1#6C	2 1/2"	UN-SWITCHED
L4SL 12	277V	(1)-20A-1P	2#6 & 1#6C	2 1/2"	RE8 SLCR
EQ462 1	277V	(1)-20A-1P	2#6 & 1#6C	2 1/2"	RE9 SLCR
R201 2	120V	(1)-20A-1P	2#6 & 1#6C	2 1/2"	UN-SWITCHED
L4SL 12	277V	(1)-20A-1P	2#6 & 1#6C	2 1/2"	RE8 SLCR
R201 2	120V	(1)-20A-1P	2#6 & 1#6C	2 1/2"	UN-SWITCHED
L4SL 6	277V	(1)-20A-1P	2#6 & 1#6C	2 1/2"	RE10 SLCR
EQ462 3	277V	(1)-20A-1P	2#6 & 1#6C	2 1/2"	RE11 SLCR
R201 5	120V	(1)-20A-1P	2#6 & 1#6C	2 1/2"	UN-SWITCHED
EQ462 3	277V	(1)-20A-1P	2#6 & 1#6C	2 1/2"	RE11 SLCR
R201 5	120V	(1)-20A-1P	2#6 & 1#6C	2 1/2"	UN-SWITCHED
L4SL 6	277V	(1)-20A-1P	2#6 & 1#6C	2 1/2"	RE10 SLCR
EQ462 3	277V	(1)-20A-1P	2#6 & 1#6C	2 1/2"	RE11 SLCR
R201 5	120V	(1)-20A-1P	2#6 & 1#6C	2 1/2"	UN-SWITCHED
L4SL 5	277V	(1)-20A-1P	2#6 & 1#6C	2 1/2"	RE12 SLCR
EQ462 7	277V	(1)-20A-1P	2#6 & 1#6C	2 1/2"	RE13 SLCR
R201 4,6	120V	(2)-20A-1P	4#6 & 1#6C	2 1/2"	UN-SWITCHED
L4SL 5	277V	(1)-20A-1P	2#6 & 1#6C	2 1/2"	RE12 SLCR
R201 4,6	120V	(2)-20A-1P	4#6 & 1#6C	2 1/2"	UN-SWITCHED
L4SL 5	277V	(1)-20A-1P	2#6 & 1#6C	2 1/2"	RE12 SLCR
EQ462 7	277V	(1)-20A-1P	2#6 & 1#6C	2 1/2"	RE13 SLCR
R201 4,6	120V	(2)-20A-1P	4#6 & 1#6C	2 1/2"	UN-SWITCHED
L4SL 1	277V	(1)-20A-1P	2#6 & 1#6C	2 1/2"	RE14 SLCR
R201 4,6	120V	(2)-20A-1P	4#6 & 1#6C	2 1/2"	UN-SWITCHED
L4SL 4	277V	(1)-20A-1P	2#6 & 1#6C	2 1/2"	RE15 SLCR
EQ462 7	277V	(1)-20A-1P	2#6 & 1#6C	2 1/2"	RE13 SLCR
R201 4	120V	(1)-20A-1P	2#6 & 1#6C	2 1/2"	UN-SWITCHED
L4SL 3	277V	(1)-20A-1P	2#6 & 1#6C	2 1/2"	RE16 SLCR
L4SL 4	277V	(1)-20A-1P	2#6 & 1#6C	2 1/2"	RE17 SLCR
EQ462 9	277V	(1)-20A-1P	2#6 & 1#6C	2 1/2"	RE18 SLCR
R201 6	120V	(1)-20A-1P	2#6 & 1#6C	2 1/2"	UN-SWITCHED

SITE LIGHTING PROGRAMMABLE LOW VOLTAGE RELAY PANEL "SLCR"

RELAY NUMBER	OPERATION SEQUENCE			AREA CONTROLLED	VOLTAGE	LOAD WATTS	BRANCH CIRCUIT
	PHOTOCELL	DRS	TRIPLECLICK				
RE1	*	*	*	PARKING N.W.	277	1100	L4SL-10
RE2	*	*	*	PARKING N.W.	277	1100	L4SL-11
RE3	*	*	*	PARKING N.W.	277	1375	EQ462-4
RE4	*	*	*	PARKING N.W.	277	1650	L4SL-8
RE5	*	*	*	PARKING NORTH	277	1100	L4SL-9
RE6	*	*	*	PARKING NORTH	277	1375	EQ462-2
RE7	*	*	*	PARKING N.W.	277	1650	L4SL-7
RE8	*	*	*	PARKING FRONT	277	1100	L4SL-12
RE9	*	*	*	PARKING FRONT	277	1375	EQ462-1
RE10	*	*	*	ROADWAY NORTH	277	1650	L4SL-6
RE11	*	*	*	ROADWAY NORTH	277	1375	EQ462-3
RE12	*	*	*	ROADWAY SOUTH	277	1650	L4SL-5
RE13	*	*	*	PARKING SOUTH	277	1100	EQ462-7
RE14	*	*	*	PARKING SOUTH	277	1375	L4SL-1
RE15	*	*	*	PARKING SOUTH	277	1375	L4SL-2
RE16	*	*	*	PARKING SOUTH	277	825	L4SL-3
RE17	*	*	*	ROADWAY NORTH	277	1100	L4SL-4
RE18	*	*	*	PARKING SOUTH	277	1650	EQ462-9
RE19	*	*	*	FIRST FLOOR EXTERIOR	277	1100	L4SL-13
RE20	*	*	*	FIRST FLOOR EXTERIOR	277	900	L4SL-14
RE21	*	*	*	EXTERIOR CANOPY LTG.	277	200	EQ462-10
RE22	*	*	*				
RE23	*	*	*				
RE24	*	*	*				

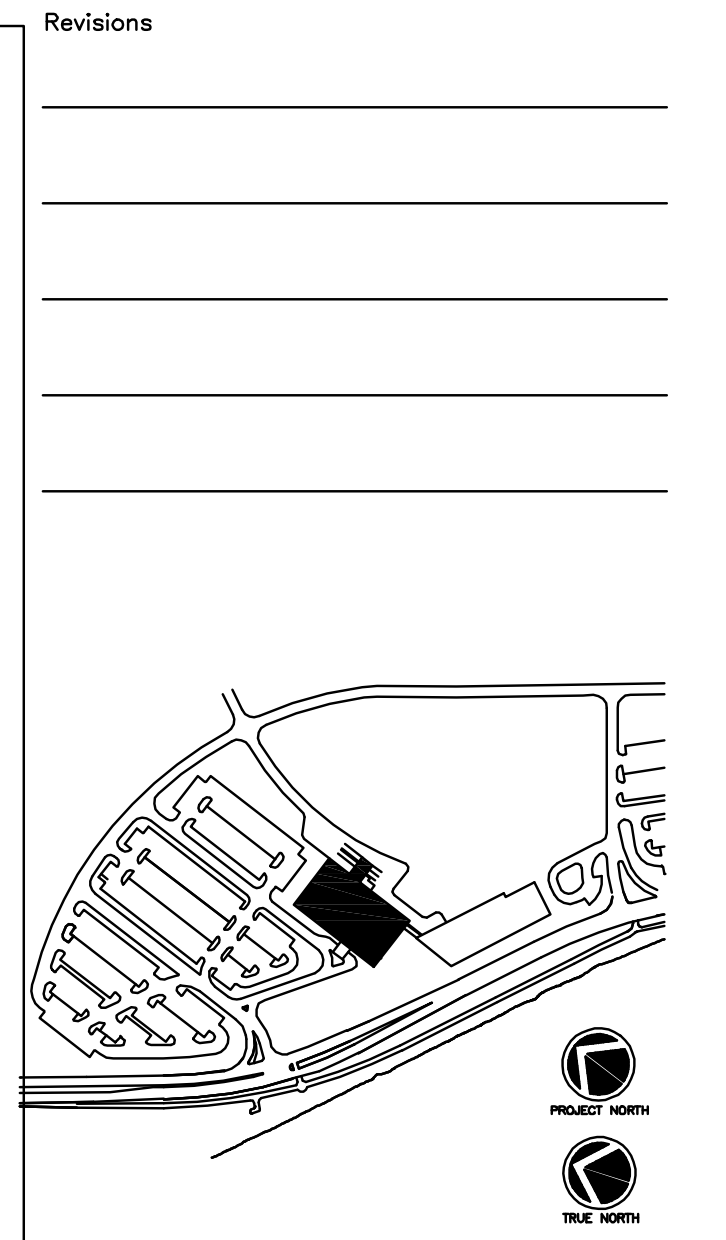


SITE LIGHTING FIXTURE SCHEDULE

TYPE	DESCRIPTION	MANUFACTURER	CATALOG NUMBER	LAMP DATA			VOLTS	NOTES
				NUMBER	WATTS	TYPE		
SL1A	SINGLE POLE MOUNTED LUMINAIRE TYPE III 25' POLE	KIM	LUMINAIRE 1A/PA253250PM4277-WH-P(NOTE 1) POLE SAL2564188-WH-P(NOTE 1)-DR-GF(NOTE 2)	1	250	MH	277	
SL1B	SINGLE POLE MOUNTED LUMINAIRE TYPE III 25' POLE	KIM	LUMINAIRE 1A/PA253250PM4277-WH-P(NOTE 1) POLE SAL2564188-WH-P(NOTE 1)-DR-GF(NOTE 2)	1	250	MH	277	
SL1C	SINGLE POLE MOUNTED LUMINAIRE TYPE III 25' POLE	KIM	LUMINAIRE 1A/PA253250PM4277-WH-P(NOTE 1) POLE SAL2564188-WH-P(NOTE 1)-DR-GF(NOTE 2)	1	250	MH	277	
SL2	DOUBLE POLE MOUNTED LUMINAIRE TYPE III 25' POLE	KIM	LUMINAIRE 2B/PA253250PM4277-WH-P(NOTE 1) POLE SAL2564188-WH-P(NOTE 1)-DR-GF(NOTE 2)	2	250	MH	277	
SL3A	SINGLE POLE MOUNTED LUMINAIRE TYPE III 30' POLE	KIM	LUMINAIRE 1A/PA304250PM4277-WH-P(NOTE 1) POLE SAL3064250-WH-P(NOTE 1)-DR-GF(NOTE 2)	1	250	MH	277	
SL3B	SINGLE POLE MOUNTED LUMINAIRE TYPE III 30' POLE	KIM	LUMINAIRE 1A/PA253250PM4277-WH-P(NOTE 1) POLE SAL3064250-WH-P(NOTE 1)-DR-GF(NOTE 2)	1	250	MH	277	

NOTES:

- COLOR OF LUMINAIRE AND POLE SHALL BE SELECTED BY ARCH
- REFER TO SITE PLAN FOR SELECTED POLES TO BE PROVIDED WITH GFCA RECEPTACLE



Revisions

Consultant
CIVIL ENGINEER
DeLuca-Hoffmann Associates, Inc.
778 Main Street, Suite 8
South Portland, ME 04106
Phone: (207) 775-1121
Fax: (207) 879-0896

Consultant
ASSOCIATE ARCHITECT/STRUCTURAL ENGINEER
SMART
144 Fore Street P.O. Box 618
Portland, Maine 04104
Phone: (207) 772-3846
Fax: (207) 772-1070

Consultant
MECHANICAL/ELECTRICAL ENGINEER
Bard, Rap + Athanas Consulting Engineers, LLC
311 Arsenal Street
Watertown, MA 02472-5789
Phone: 617.254.0016
Fax: 617.924.9339

Consultant
EQUIPMENT PLANNING
Gene Burton & Associates
1893 General George Patton Drive
Franklin, Tennessee 37067
Phone: (615) 376-3100
Fax: (615) 376-3114

Consultant
CONSTRUCTION MANAGER
Gibane Building Company
7 Jackson Walkway
Providence, Rhode Island 02903
Phone: (401) 456-5905
Fax: (401) 456-5516

Consultant
FOOD SERVICE
Imman Foodservice, LLC
1808 West End Ave, Suite 1400
Nashville, TN 37203
Phone: (615) 321-5591
Fax: (615) 321-5689

It is the responsibility of the Construction Manager/General Contractor and all Sub-Contractors to verify all dimensions and accept conditions of prior work by related trades before proceeding with any work.

Date
11/10/06 Final-Issued for Constructio
Drawn By
XXX
Scale
1"=40'-0"

Francis
Cauffman
Foley
Hoffmann

Francis Cauffman 2120 Arch Street Philadelphia, PA 19103
Foley Hoffmann Architects Ltd. 215-568-8250

Project Title
Mercy Health Care System of Maine
FORE RIVER SHORT STAY HOSPITAL

MERCY

Project Number
F05-4898
Drawing Title and Number
ELECTRICAL SITE PLAN

E-01B