

Consultant
 CIVIL ENGINEER
 DeLuca-Hoffman Associates, Inc.
 778 Main Street, Suite 8
 South Portland, ME 04106
 Phone: (207) 775-1121
 Fax: (207) 879-0896

Consultant
 ASSOCIATE ARCHITECT/STRUCTURAL ENGINEER
 SMRT
 144 Fore Street P.O. Box 618
 Portland, Maine 04104
 Phone: (207) 772-3846
 Fax: (207) 772-1070

Consultant
 MECHANICAL/ELECTRICAL ENGINEER
 Bord, Rao + Athanas Consulting Engineers, LLC
 The Arsenal on the Chert
 311 Arsenal Street
 Watertown, MA 02472-5789
 Phone: 617.254.0016
 Fax: 617.924.9339

Consultant
 EQUIPMENT PLANNING
 Gene Burton & Associates
 1893 General George Patton Drive
 Franklin, Tennessee 37067
 Phone: (615) 376-3100
 Fax: (615) 376-3114

Consultant
 CONSTRUCTION MANAGER
 Gibbons Building Company
 7 Jackson Walkway
 Providence, Rhode Island 02903
 Phone: (401) 456-5905
 Fax: (401) 456-5516

Consultant
 FOOD SERVICE
 Inman Foodservice, LLC
 1808 West End Ave, Suite 1400
 Nashville, TN 37203
 Phone: (615) 321-5591
 Fax: (615) 321-5689

It is the responsibility of the Construction Manager/General Contractor and all Sub-Contractors to verify all dimensions and accept conditions of prior work by related trades before proceeding with any work.

Date
 11/10/06 Final-Issued for Constructi
 Drawn By

Scale
 NONE

Francis

Cauffman

Foley

Hoffmann

Francis Cauffman
 Foley Hoffmann
 Architects Ltd. 2120 Arch Street
 Philadelphia, PA 19103
 215-568-8250

Project Title

Mercy Health Care
 System of Maine

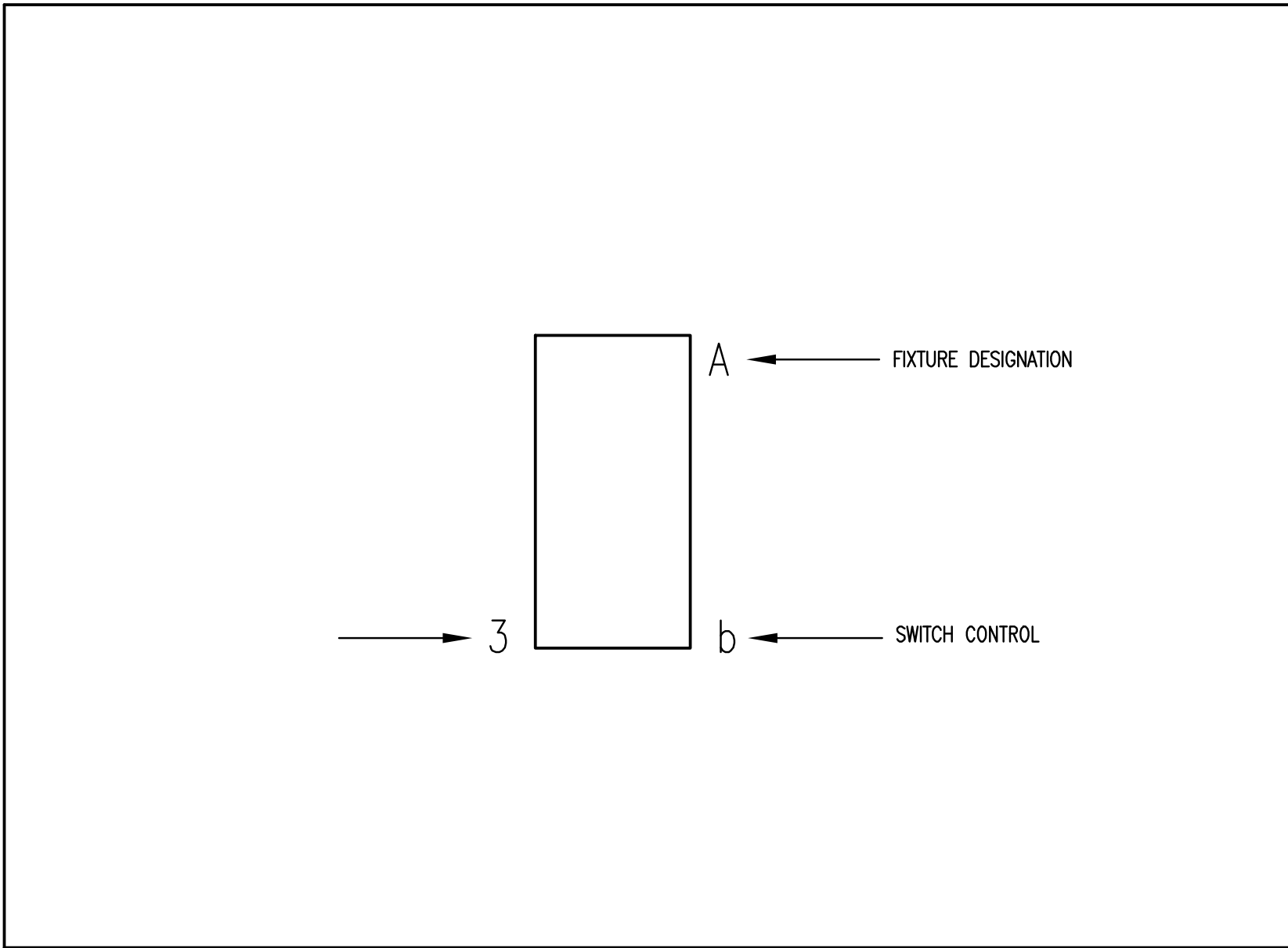
FORE RIVER SHORT
 STAY HOSPITAL

MERCY

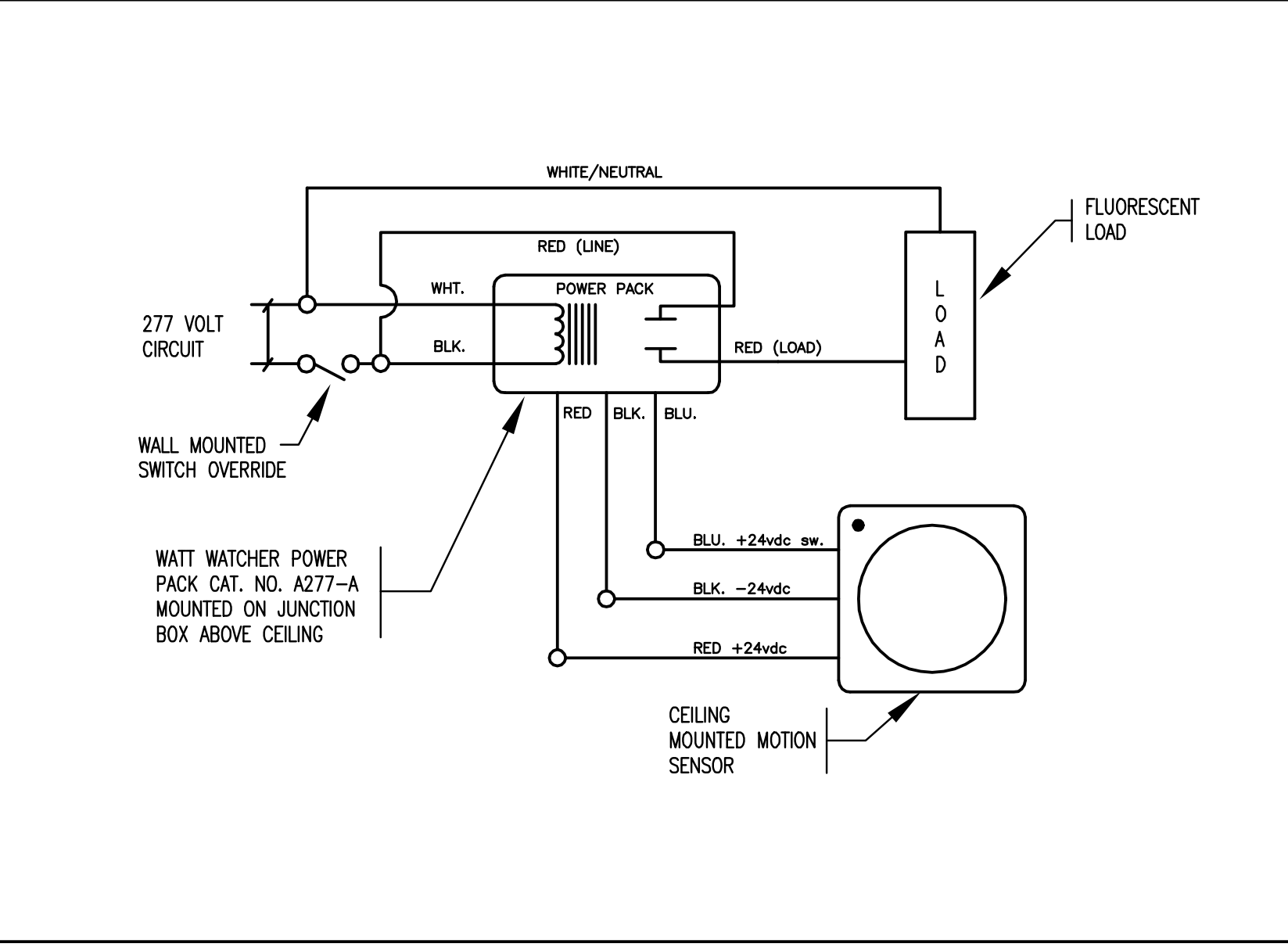
Project Number
 F05-4898

Drawing Title and Number
 ELECTRICAL
 DETAILS

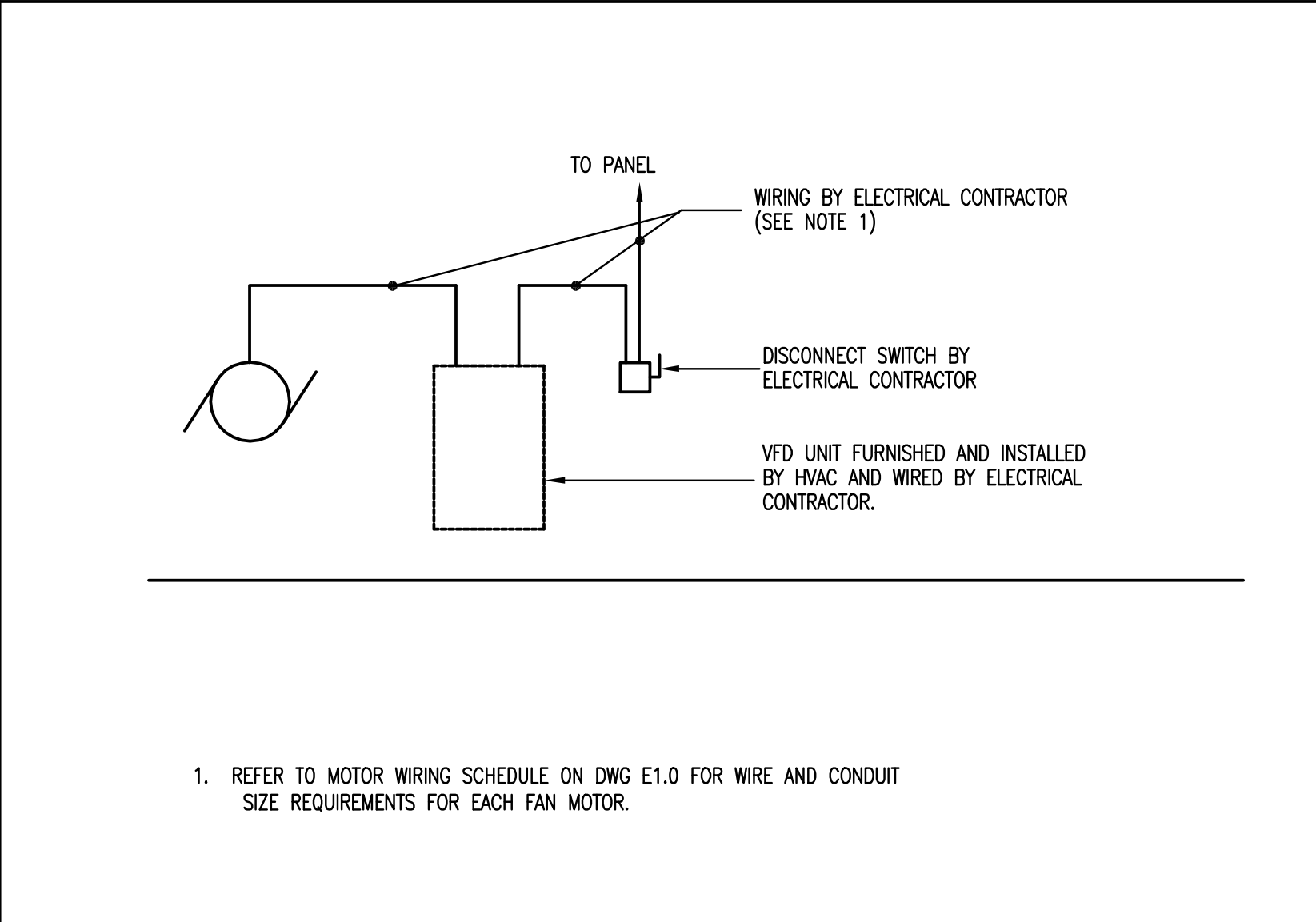
E6-2



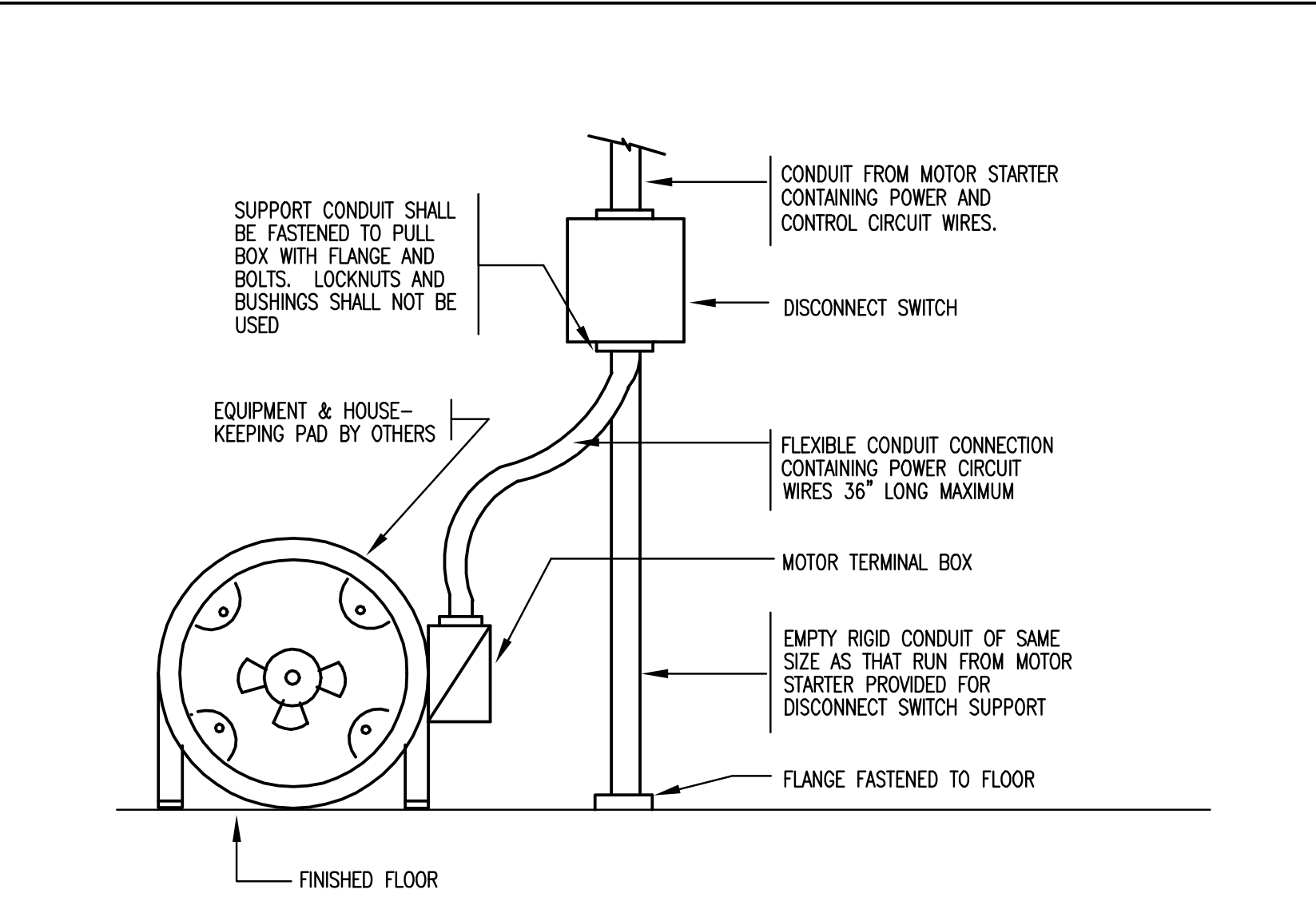
DETAIL OF TYPICAL LIGHTING FIXTURE DESIGNATIONS NTS



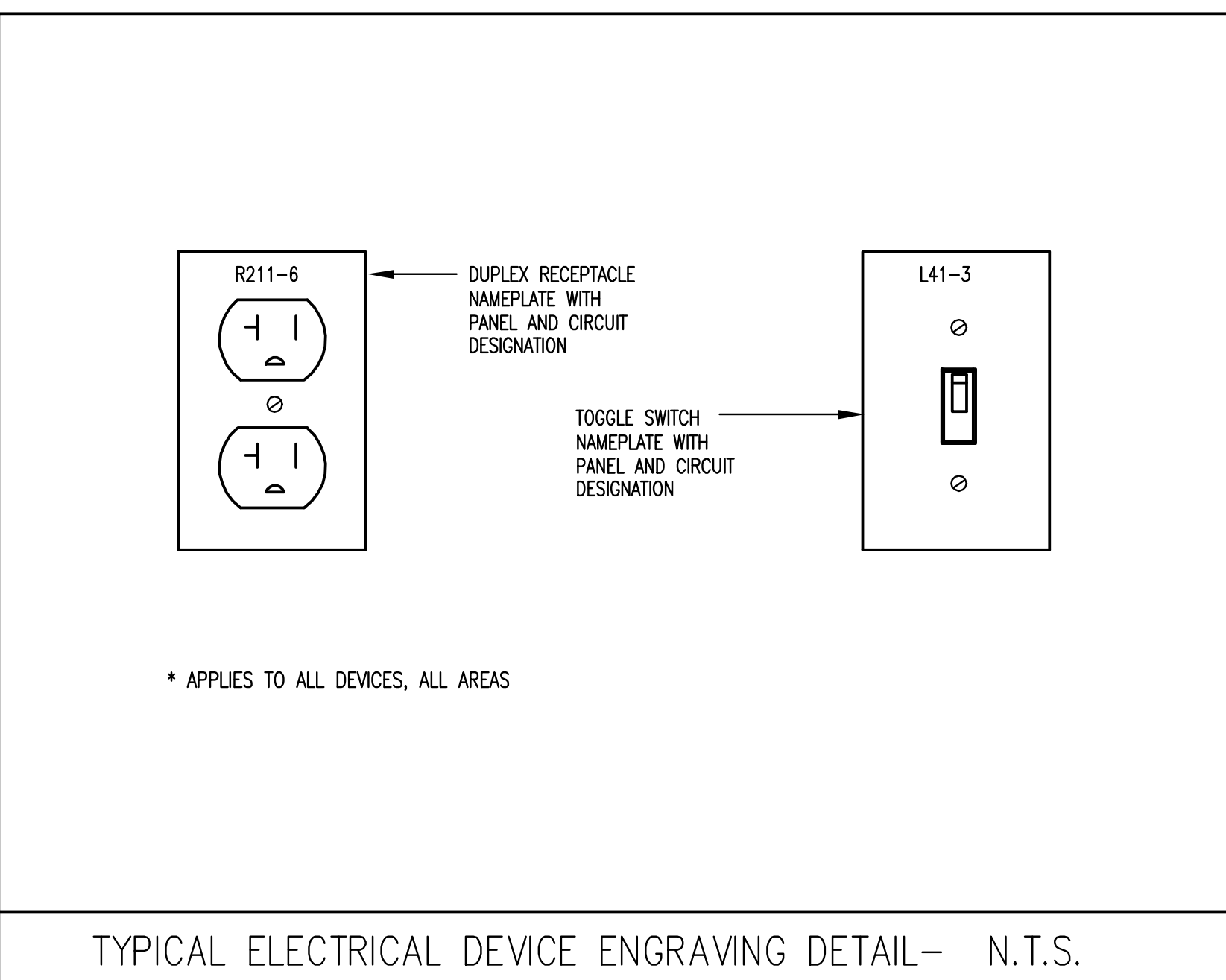
CEILING MOUNTED MOTION SENSOR WITH MANUAL OVERRIDE WIRING DIAGRAM



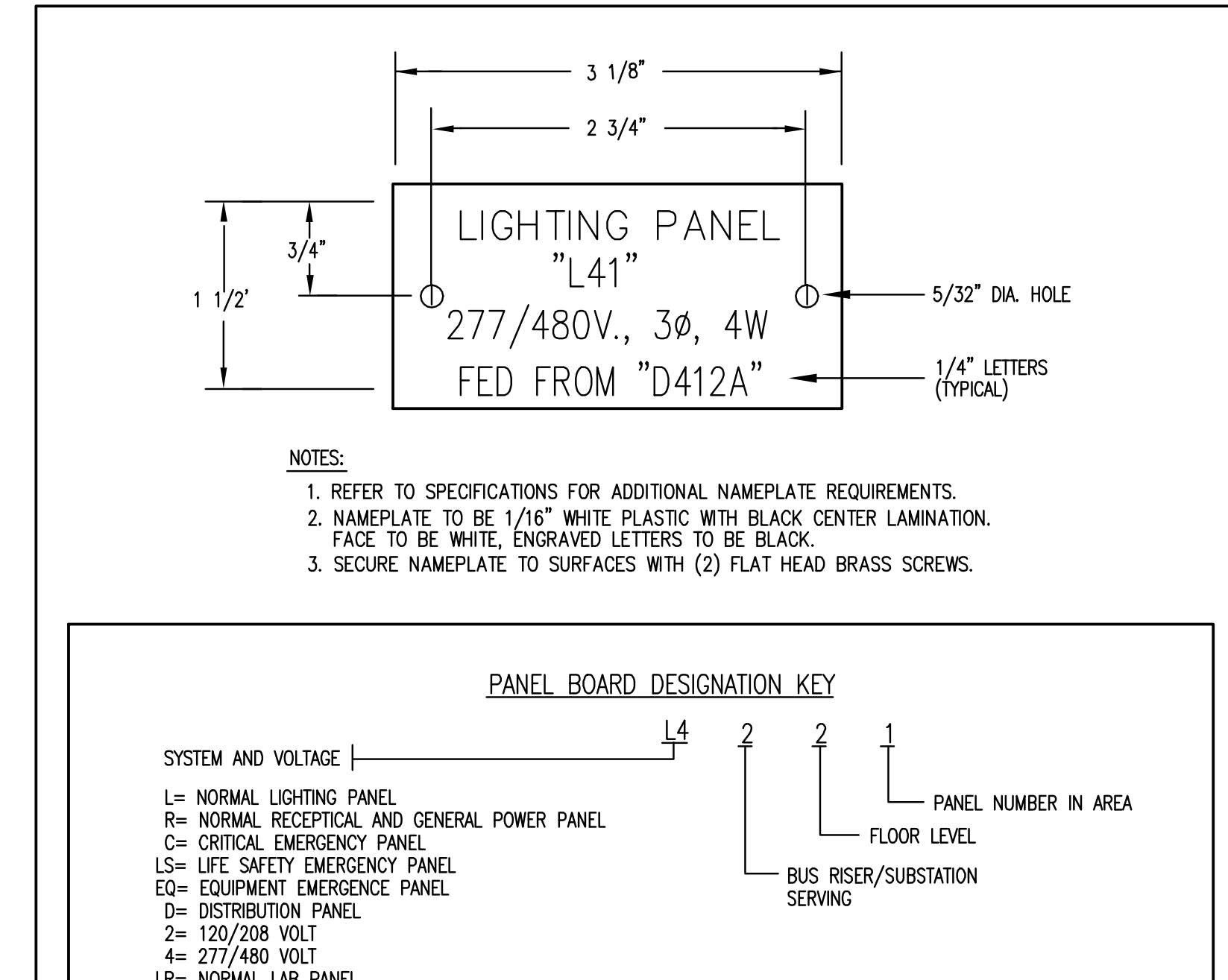
VSD/VFD UNIT WIRING SCHEMATIC N.T.S.



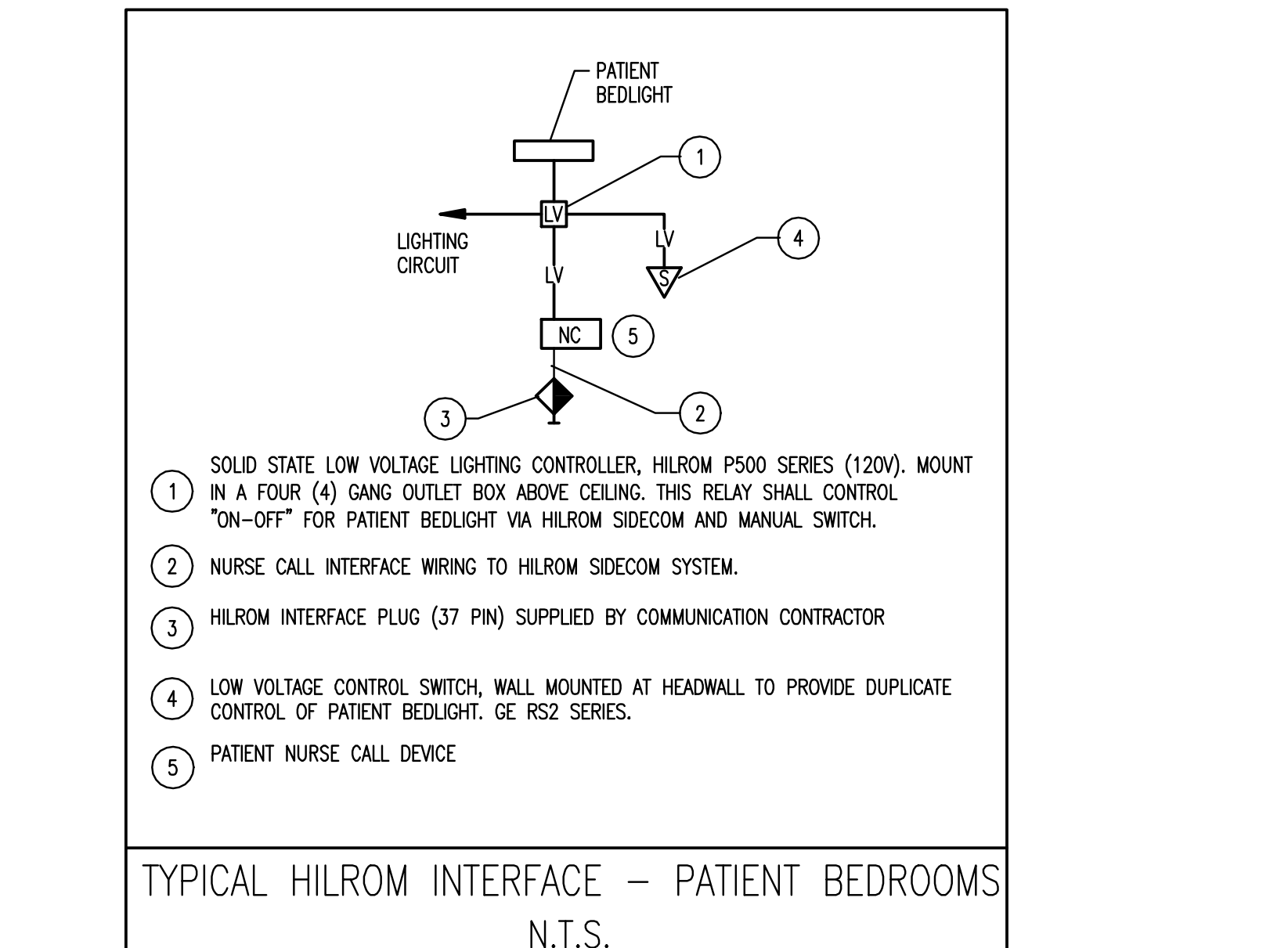
DETAIL OF MOTOR DISCONNECT SWITCH MOUNTING N.T.S.



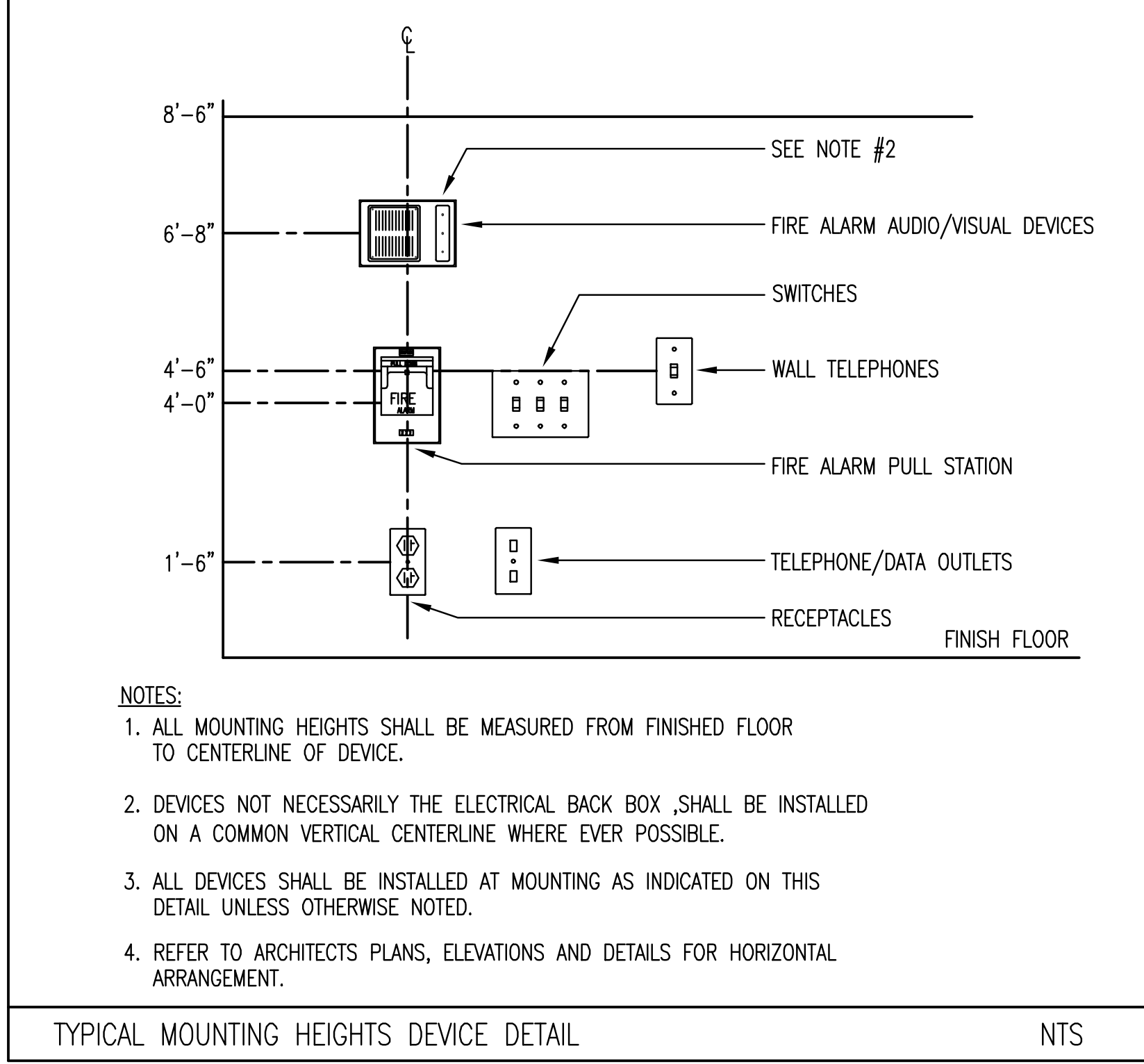
TYPICAL ELECTRICAL DEVICE ENGRAVING DETAIL- N.T.S.



DETAIL OF TYPICAL NAMEPLATE



TYPICAL HILROM INTERFACE - PATIENT BEDROOMS N.T.S.



- NOTES:
1. ALL MOUNTING HEIGHTS SHALL BE MEASURED FROM FINISHED FLOOR TO CENTERLINE OF DEVICE.
 2. DEVICES NOT NECESSARILY THE ELECTRICAL BACK BOX SHALL BE INSTALLED ON A COMMON VERTICAL CENTERLINE WHERE EVER POSSIBLE.
 3. ALL DEVICES SHALL BE INSTALLED AT MOUNTING AS INDICATED ON THIS DETAIL UNLESS OTHERWISE NOTED.
 4. REFER TO ARCHITECTS PLANS, ELEVATIONS AND DETAILS FOR HORIZONTAL ARRANGEMENT.

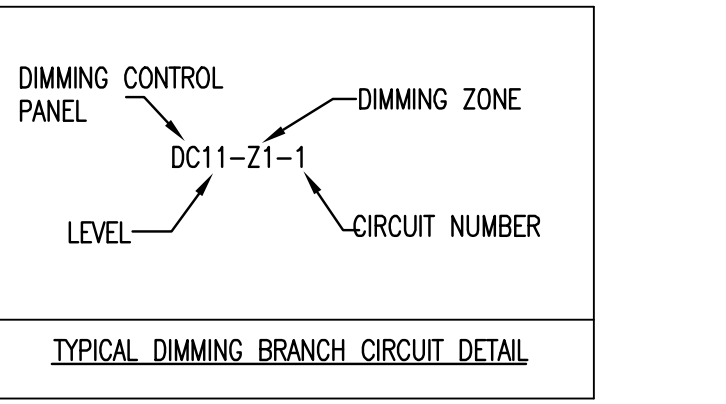
TYPICAL MOUNTING HEIGHTS DEVICE DETAIL NTS

DIMMING SYSTEM, AREA LOAD SCHEDULE "DC11" NORMAL PANEL

ZONE	DESCRIPTION	CKT #	VOLTAGE	FEED TYPE	LOAD TYPE	FIXTURE LOAD	# OF FIXTURES	* LOAD W/VA	NOTES
1	COVE LIGHTING "B40"	1	120V	N	FLD	144W	2	288W	
2	COVE LTG. / NICHE LTG. "G1A & B2A"	2	120V	N	FLN	32/24W	9	650W	
3	BACK WALL WASHERS	3	120V	N	FLD	50W	5	250W	
4	BACK WALL WASHERS	4	120V	N	FLD	50W	3	150W	
5	ENTRANCE DOWN LIGHTS	5	120V	N	FLD	50W	2	100W	
6	ENTRANCE ADJUSTABLE DOWN LIGHT	6	120V	N	FLD	50W	1	50W	
7	GENERAL DOWN LIGHTS	7	120V	N	FLD	60W	7	420W	
8	ADJUSTABLE ACCENT LIGHTS	8	120V	N	FLD	100W	4	400W	
9	ADJUSTABLE ACCENT LIGHTS	9	120V	N	FLD	200W	2	400W	
10	ADJUSTABLE ACCENT LIGHTS	10	120V	N	FLD	200W	2	400W	
11	ADJUSTABLE ACCENT LIGHTS	12	120V	N	FLD	200W	2	400W	
12	ADJUSTABLE ACCENT LIGHTS	11	120V	N	FLD	200W	2	400W	
13	CHAPEL CROSS BACKLIGHTING	13	120V	N	FLN	32W	16	510W	
14	SPARE	14	120V	N					
15	SPACE								
16	SPACE								

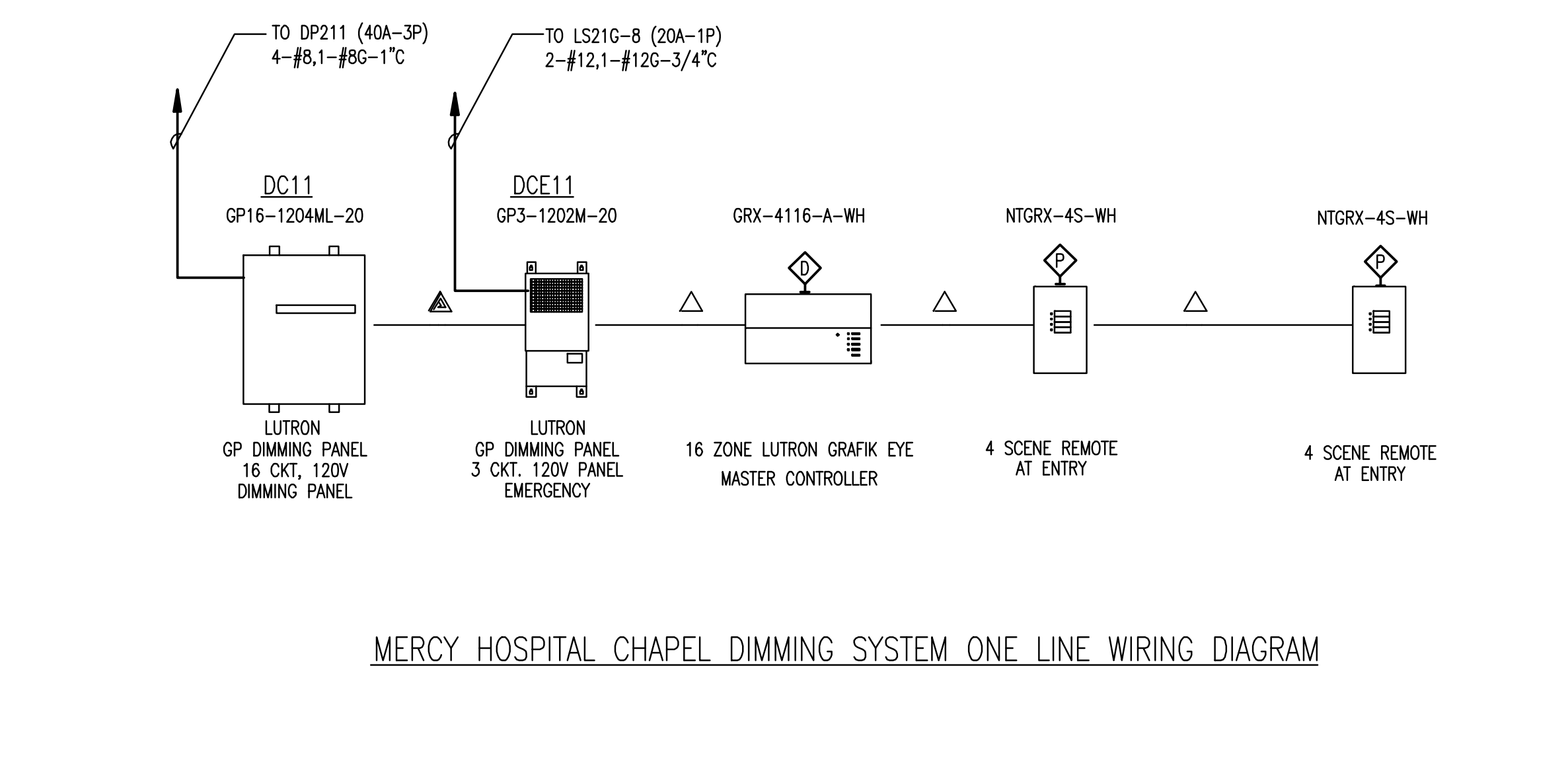
LOAD TYPE LEGEND

FLN	FLUORESCENT NON-DIM (SWITCHED ONLY)
FLD	FLUORESCENT DIMMED (LUTRON HI-LUME)
MLV	MAGNETIC LOW VOLTAGE TRANSFORMER
INC	INCANDESCENT DIMMED
MHN	METAL HALID NON-DIM (SWITCHED ONLY)
SW	OTHER SOURCE (SWITCHED ONLY)
E	EMERGENCY LOAD
N	NORMAL LOAD



DIMMING SYSTEM, AREA LOAD SCHEDULE "DCE11" EMERGENCY PANEL

ZONE	DESCRIPTION	CKT #	VOLTAGE	FEED TYPE	LOAD TYPE	FIXTURE LOAD	# OF FIXTURES	* LOAD W/VA	NOTES
E1	COVE LIGHTING "B10"	1	120V	E	FLD	60W	11	660W	
E2	SPARE	2	120V	E					
E3	SPACE								



MERCY HOSPITAL CHAPEL DIMMING SYSTEM ONE LINE WIRING DIAGRAM

△ LUTRON CABLE GRX-CBL-46L (2 #12AWG, 1#18AWG, 1TWP) FOR 4000 SYSTEMS; LUTRON CABLE GRX-CBL-346S-500 (2 #18AWG + 1TWP) FOR 3000 SYSTEMS. OTHERWISE, USE SIMILAR WIRING. TWP AVAILABLE AS BELDEN #9461

▲ LUTRON CABLE GRX-CBL-46L (2 #12AWG, 1#18AWG, 1TWP). OTHERWISE, USE 3 #18AWG (1.0MM2) PLUS 1 BELDEN #9461 (OR EQUIVALENT)

J:\JOBS\2523000\01ELEC\01E-DETAILS-2.DWG 11-08-2006 10:21:13 - jfr