

Consultant
CIVIL ENGINEER
DeLuca-Hoffman Associates, Inc.
778 Main Street, Suite 8
South Portland, ME 04106
Phone: (207) 775-1121
Fax: (207) 879-0896

Consultant
ASSOCIATE ARCHITECT/STRUCTURAL ENGINEER
SMRT
144 Fore Street P.O. Box 618
Portland, Maine 04104
Phone: (207) 772-3846
Fax: (207) 772-1070

Consultant
MECHANICAL/ELECTRICAL ENGINEER
Bord, Rao + Athanas Consulting Engineers, LLC
The Arsenal on the Charles
311 Arsenal Street
Watertown, MA 02472-5789
Phone: 617.254.0016
Fax: 617.924.9339

Consultant
EQUIPMENT PLANNING
Gene Burton & Associates
1893 General George Patton Drive
Franklin, Tennessee 37067
Phone: (615) 376-3100
Fax: (615) 376-3114

Consultant
CONSTRUCTION MANAGER
Gibbons Building Company
7 Jackson Walkway
Providence, Rhode Island 02903
Phone: (401) 456-5905
Fax: (401) 456-5516

Consultant
FOOD SERVICE
Inman Foodservice, LLC
1808 West End Ave, Suite 1400
Nashville, TN 37203
Phone: (615) 321-5591
Fax: (615) 321-5689

It is the responsibility of the Construction Manager/General Contractor and all Sub-Contractors to verify all dimensions and accept conditions of prior work by related trades before proceeding with any work.

Date
11/10/06 Final-Issued for Construction
Drawn By

Scale
1/8" = 1'-0"

Francis

Cauffman

Foley

Hoffmann

Francis Cauffman
Foley Hoffmann
Architects Ltd.
2120 Arch Street
Philadelphia, PA 19103
215-568-8250

Project Title

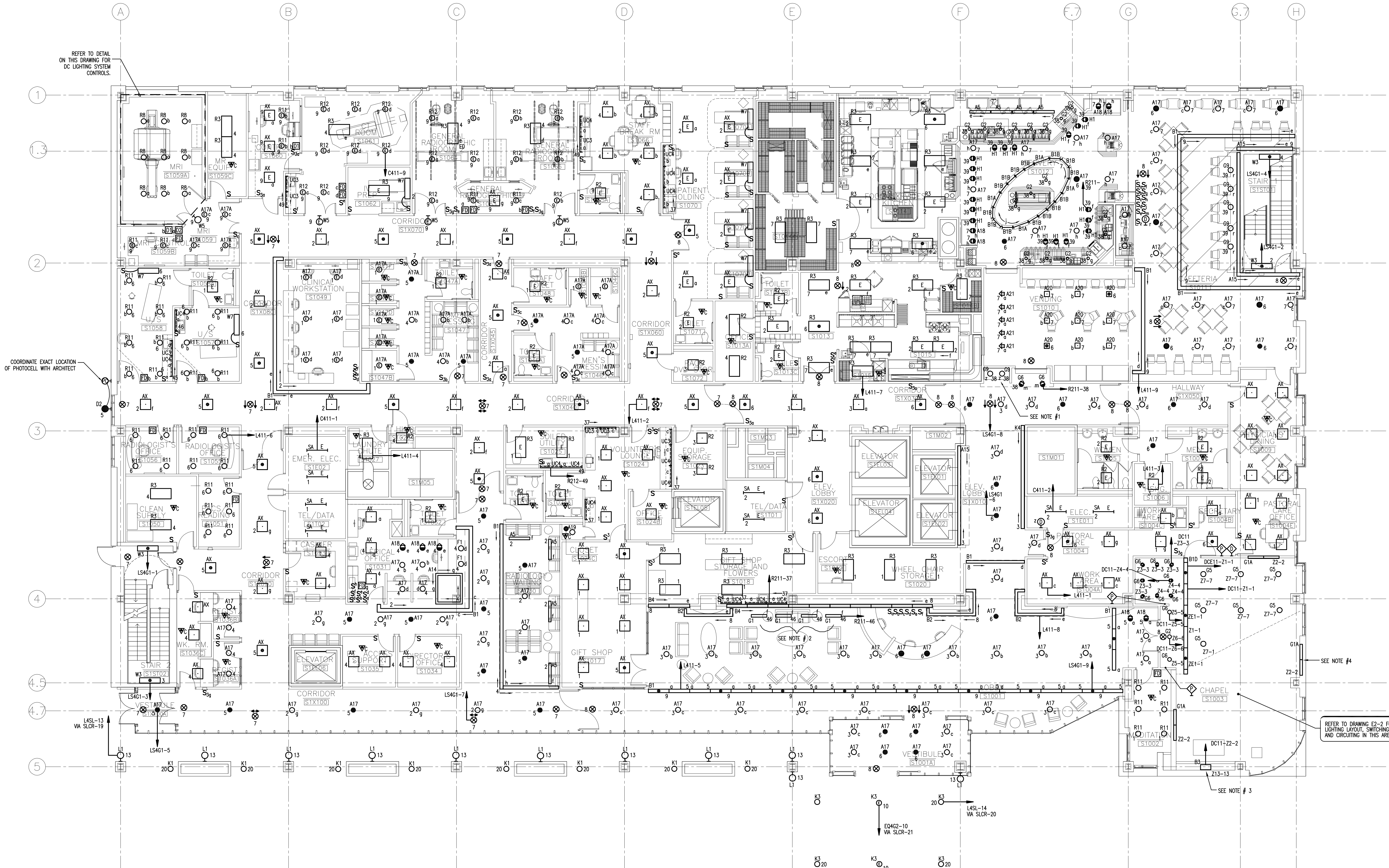
Mercy Health Care
System of Maine
FORE RIVER SHORT
STAY HOSPITAL



Project Number
F05-4898

Drawing Title and Number
ELECTRICAL
LIGHTING PLAN
LEVEL 1

E2-1

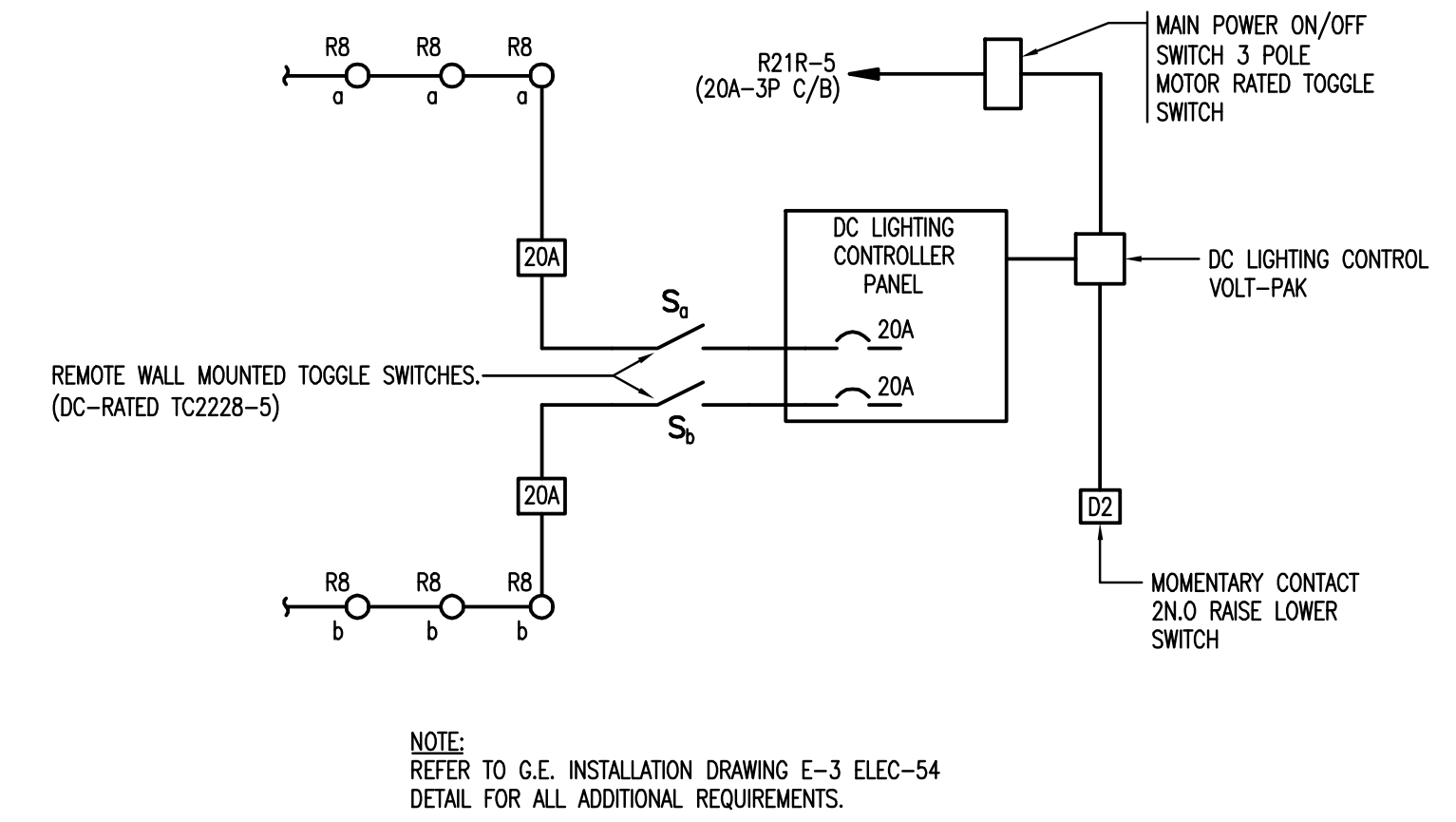


REFER TO DETAIL
ON THIS DRAWING FOR
DC LIGHTING SYSTEM
CONTROLS.

COORDINATE EXACT LOCATION
OF PHOTOCELL WITH ARCHITECT

REFER TO DRAWING E2-2 FOR
LIGHTING LAYOUT, SWITCHING,
AND CIRCUITING IN THIS AREA.

1 FIRST FLOOR PLAN
A1.01 1/8" = 1'-0"



NOTE:
REFER TO G.E. INSTALLATION DRAWING E-3 ELEC-54
DETAIL FOR ALL ADDITIONAL REQUIREMENTS.

DC LIGHTING CONTROL DIAGRAM

NOTES:

- 1. FIXTURE ON/OFF CONTROLLED BY SINGLE POLE SWITCH LOCATED IN CAFETERIA ALONG WITH LUTRON 3-WAY TUNING DIMMER FOR LIGHT LEVEL PRESET LOCATED IN ELEC. ROOM S1E01.
- 2. REFER TO ARCHITECTURAL ELEVATIONS/SECTIONS FOR EXACT QUANTITY, LENGTH & LOCATIONS OF NICHE LIGHT FIXTURE TYPE "G1".
- 3. REFER TO ARCHITECTURAL ELEVATIONS/SECTIONS AND LIGHTING CONSULTANT'S DRAWINGS FOR EXACT QUANTITY, LENGTHS & LOCATION OF FIXTURE TYPE "B3".
- 4. REFER TO ARCHITECTURAL ELEVATIONS/SECTIONS AND LIGHTING CONSULTANT'S DRAWINGS FOR EXACT QUANTITY, LENGTH & LOCATIONS OF FIXTURE TYPE "G1A". TYPICAL FOR 3 LOCATIONS IN CHAPEL.

J:\JOBS\2523000\DWG\ELEC\LEVEL-LTG-LEVEL 1.DWG 11-09-2006 13:08:32 - DWG