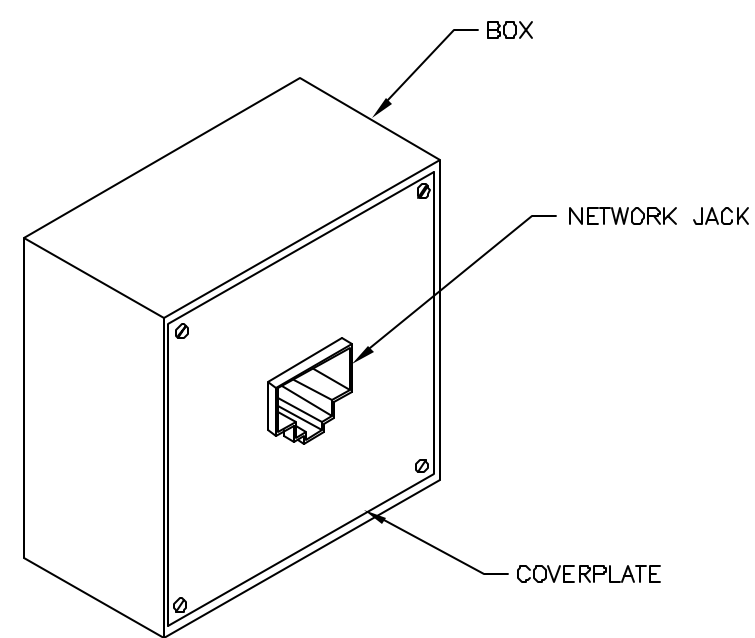


**ELECTRICAL DETAIL**  
BOX WITH COVERPLATE AND NETWORK JACK

ELEC-83

REV. DATE: 10/06/98

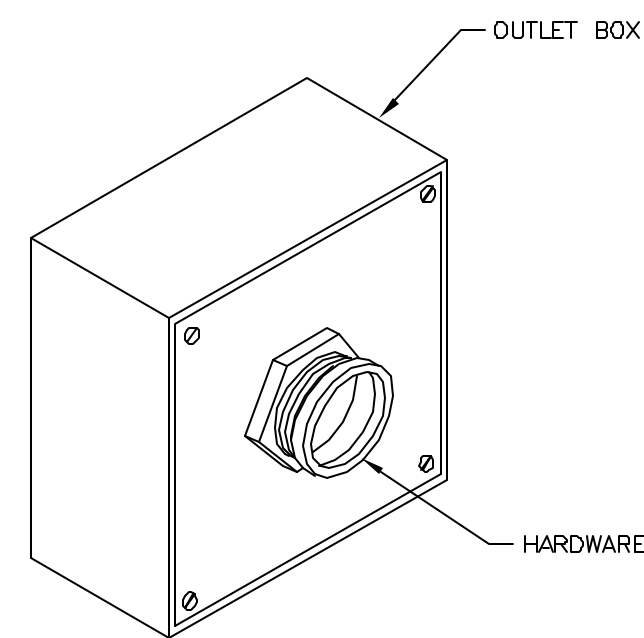


DETAIL NOT TO SCALE

**ELECTRICAL DETAIL**  
BOX WITH COVERPLATE (TYPICAL)

ELEC-8

REV. DATE: 09/30/94

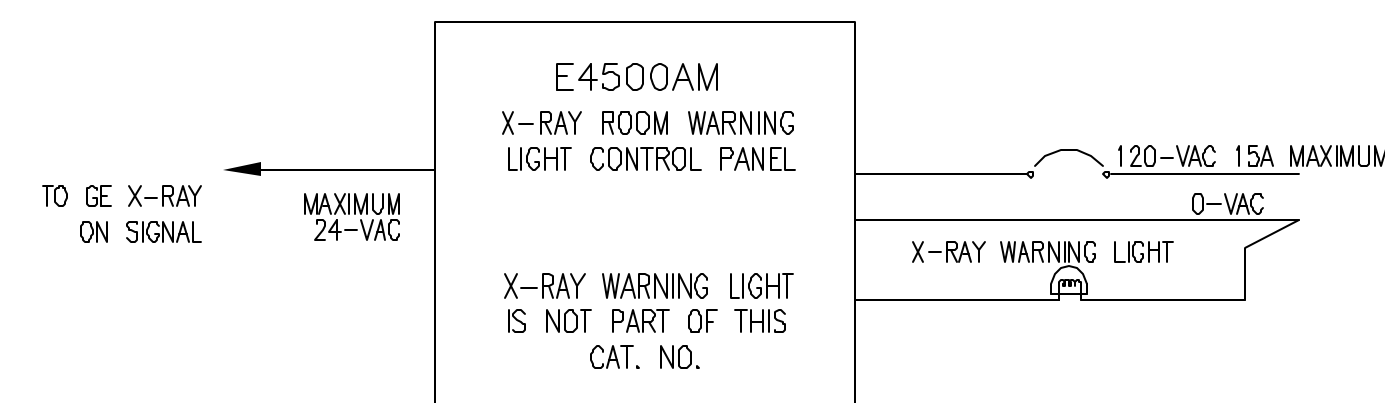


DETAIL NOT TO SCALE

**ELECTRICAL DETAIL**  
WARNING LIGHT DIAGRAM

ELEC-72

REV. DATE: 07/20/05

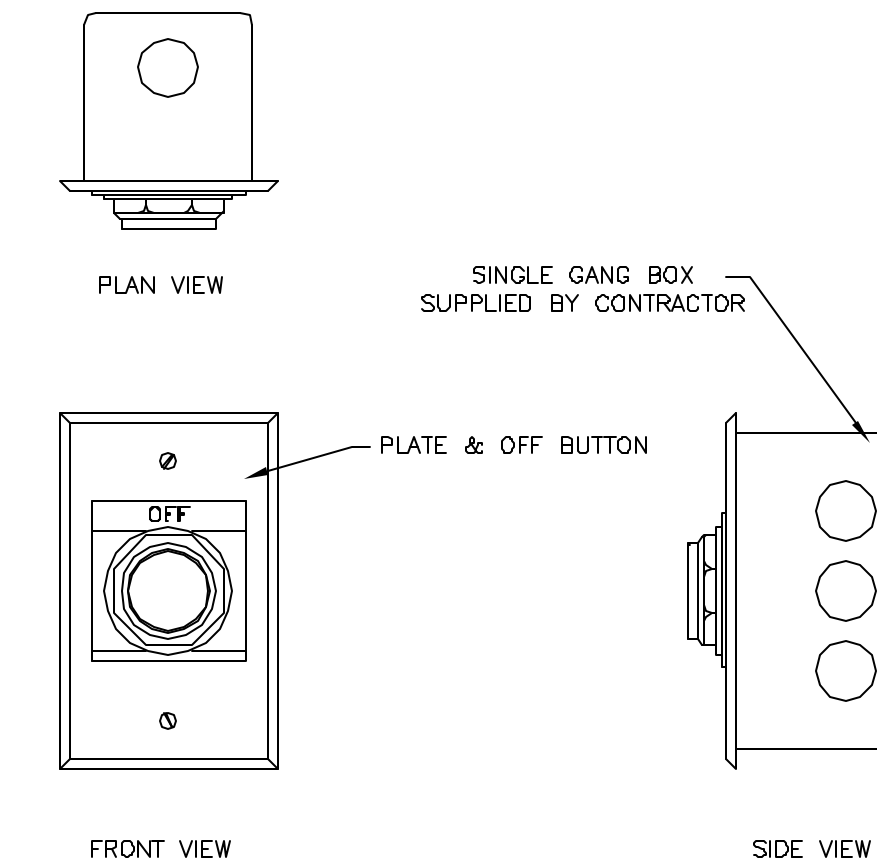


UNLESS SPECIFIED ON SHEET A1 AS BEING INCLUDED ON EQUIPMENT ORDER, ALL ITEMS ILLUSTRATED ARE TO BE FURNISHED AND INSTALLED BY CUSTOMER'S CONTRACTOR  
DRAWING NOT TO SCALE

**ELECTRICAL DETAIL**  
EMERGENCY OFF BUTTON

ELEC-16

REV. DATE: 08/22/05

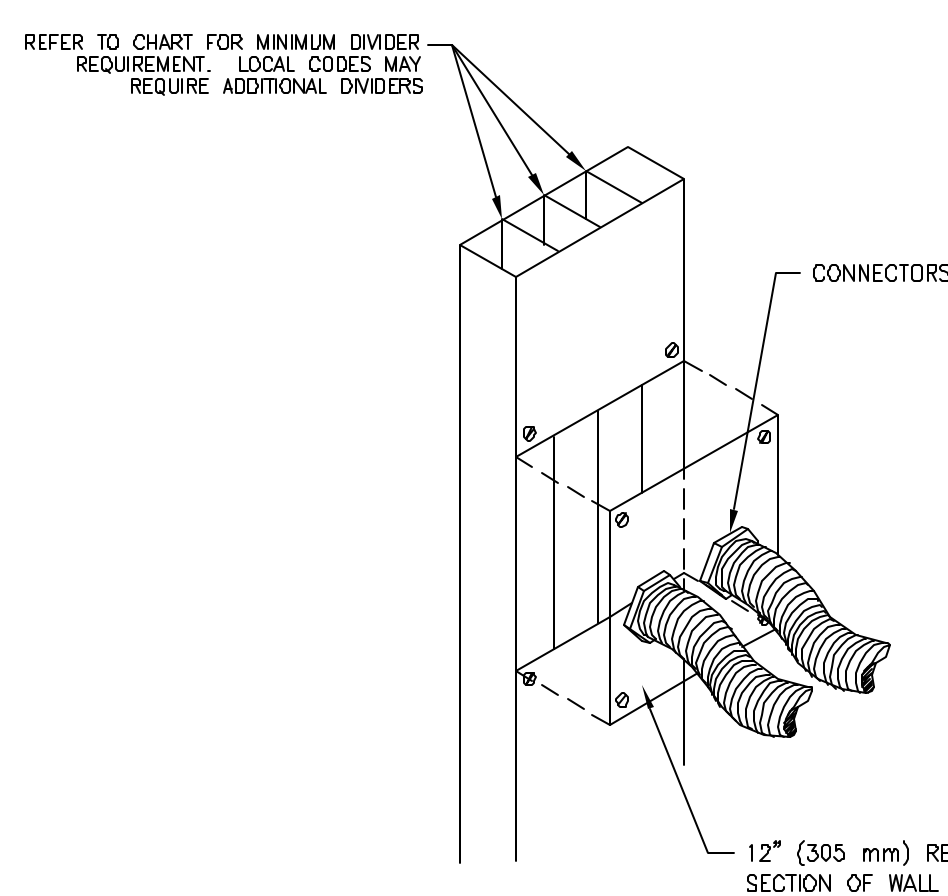


DETAIL NOT TO SCALE

**ELECTRICAL DETAIL**  
VERTICAL WALL DUCT WITH CONNECTORS (TYPICAL)

ELEC-30

REV. DATE: 4/01/04



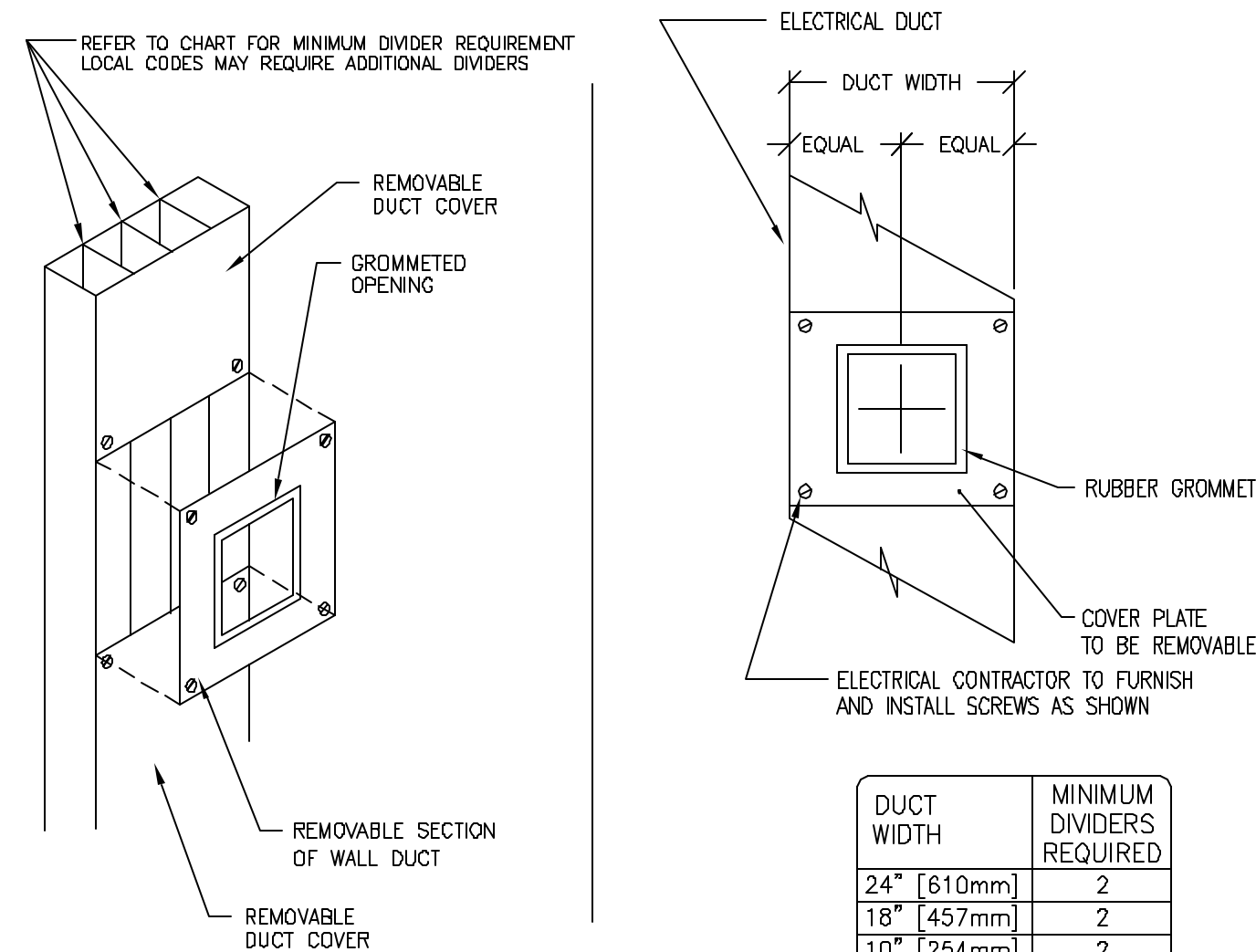
DETAIL NOT TO SCALE

DUCT WIDTH	MINIMUM DIVIDERS REQUIRED
24" [610mm]	2
18" [457mm]	2
10" [254mm]	2
6" [152mm]	1
4" [102mm]	1

**ELECTRICAL DETAIL**  
VERTICAL WALL DUCT (TYPICAL)

ELEC-6

REV. DATE: 03/19/04



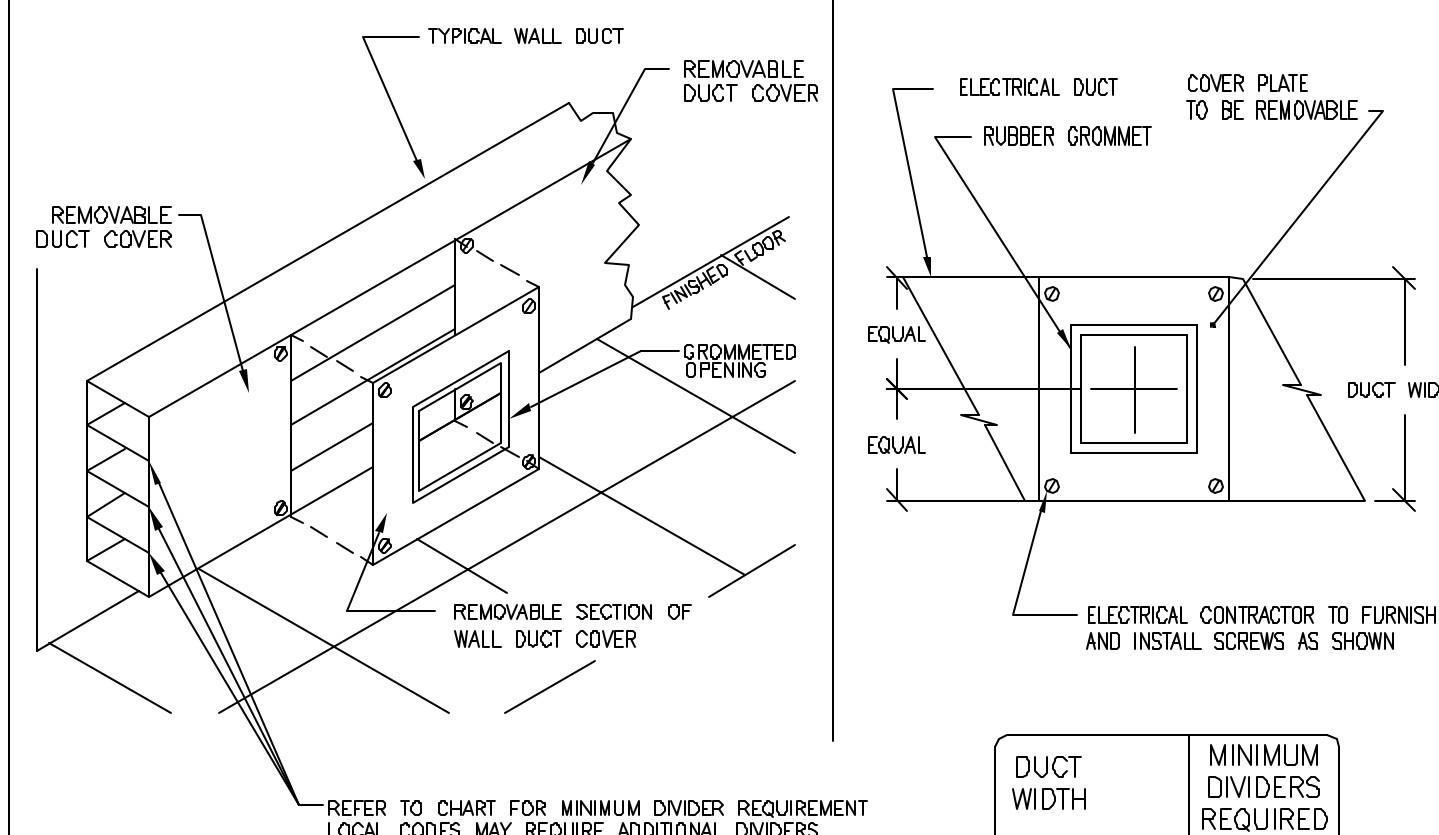
DETAIL NOT TO SCALE

DUCT WIDTH	MINIMUM DIVIDERS REQUIRED
24" [610mm]	2
18" [457mm]	2
10" [254mm]	2
6" [152mm]	1
4" [102mm]	1

**ELECTRICAL DETAIL**  
HORIZONTAL WALL DUCT (TYPICAL)

ELEC-5

REV. DATE: 03/19/04



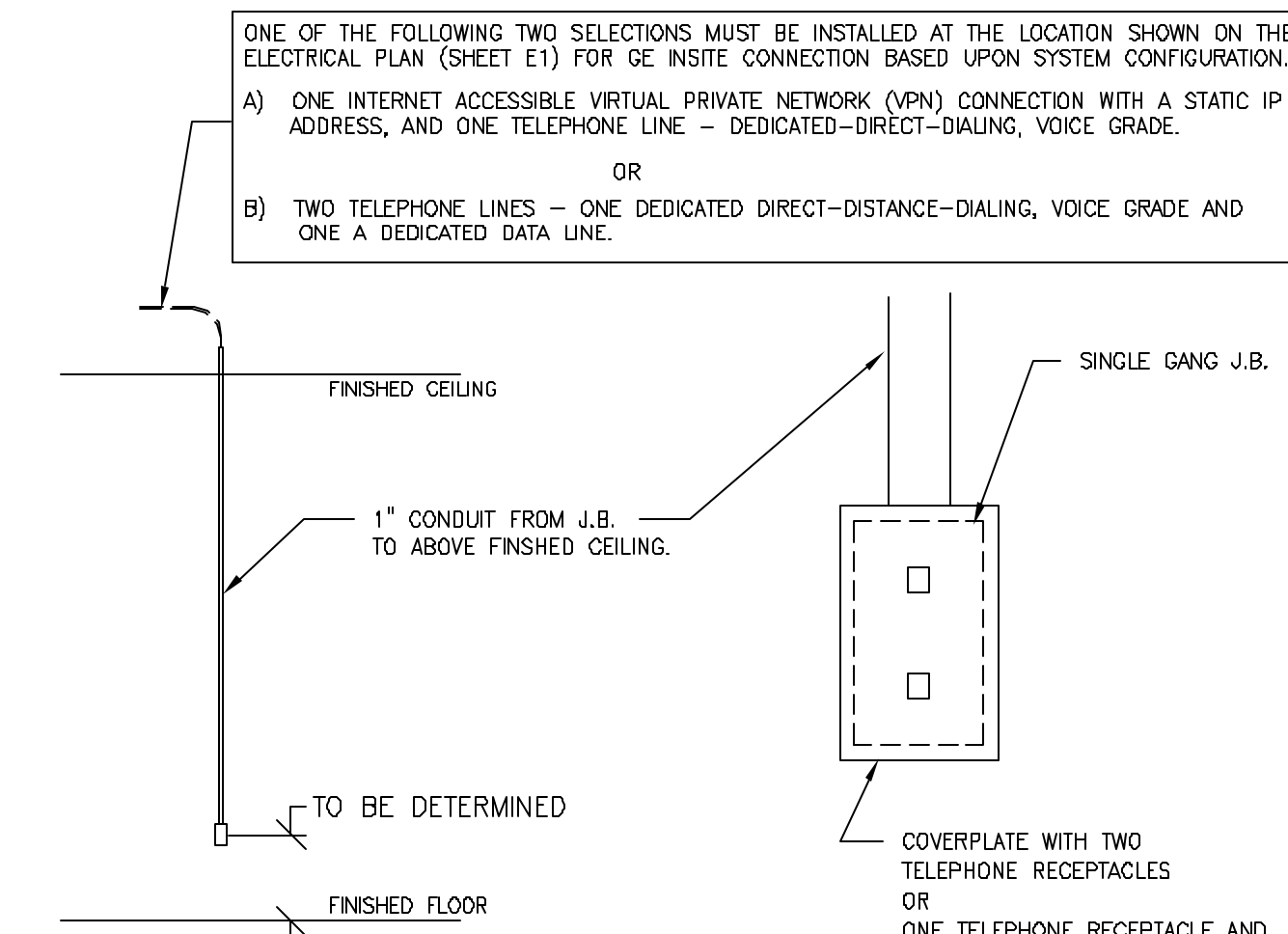
DETAIL NOT TO SCALE

DUCT WIDTH	MINIMUM DIVIDERS REQUIRED
24" [610mm]	2
18" [457mm]	2
10" [254mm]	2
6" [152mm]	1
4" [102mm]	1

**ELECTRICAL DETAIL**  
INSITE CONNECTION (TYPICAL)

ELEC-1

REV. DATE: 04/24/02

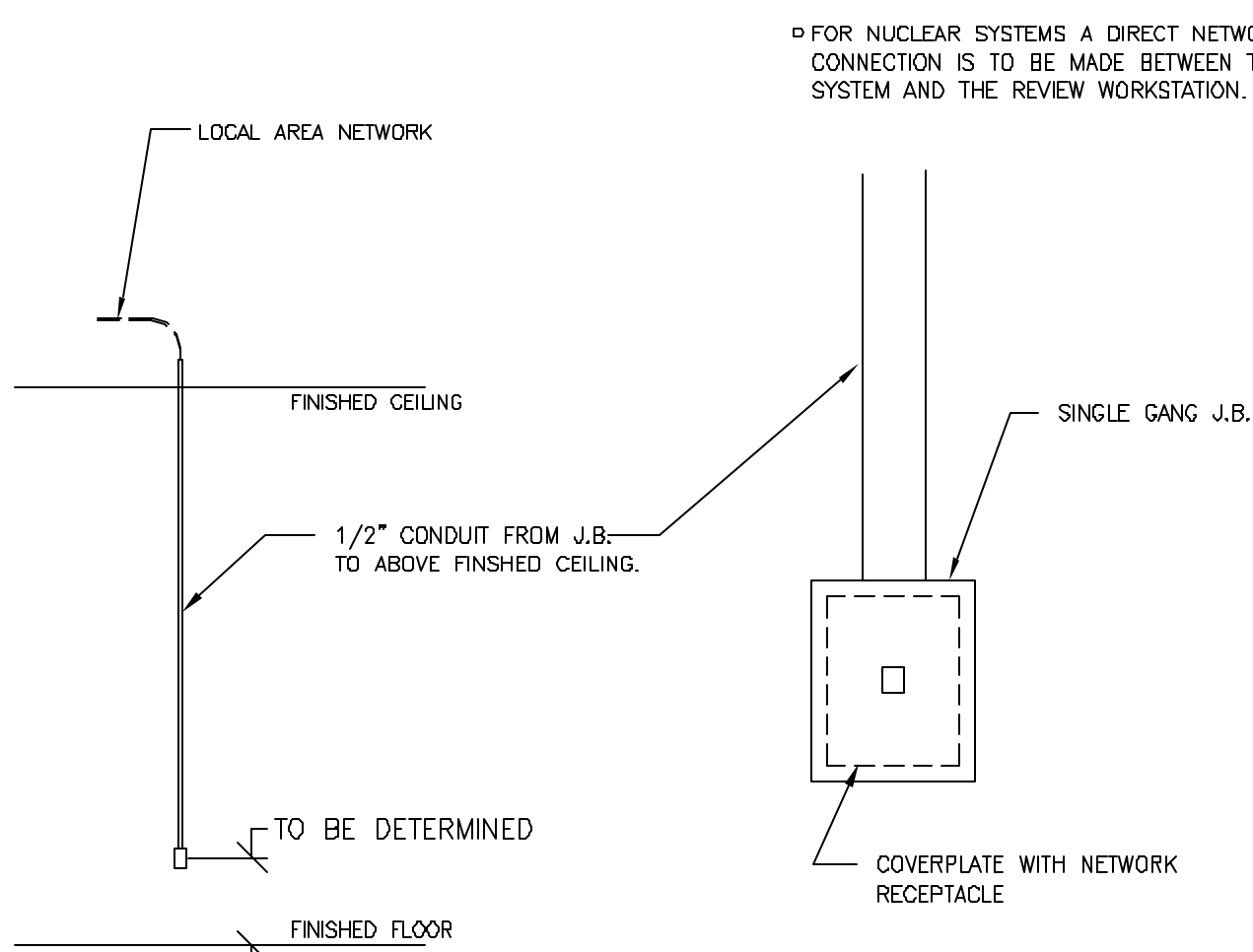


ALL ITEMS ILLUSTRATED ARE TO BE FURNISHED AND INSTALLED BY CUSTOMER OR THEIR CONTRACTOR.  
DETAIL NOT TO SCALE

**ELECTRICAL DETAIL**  
NETWORK CONNECTION (TYPICAL)

ELEC-84

REV. DATE: 03/06/04

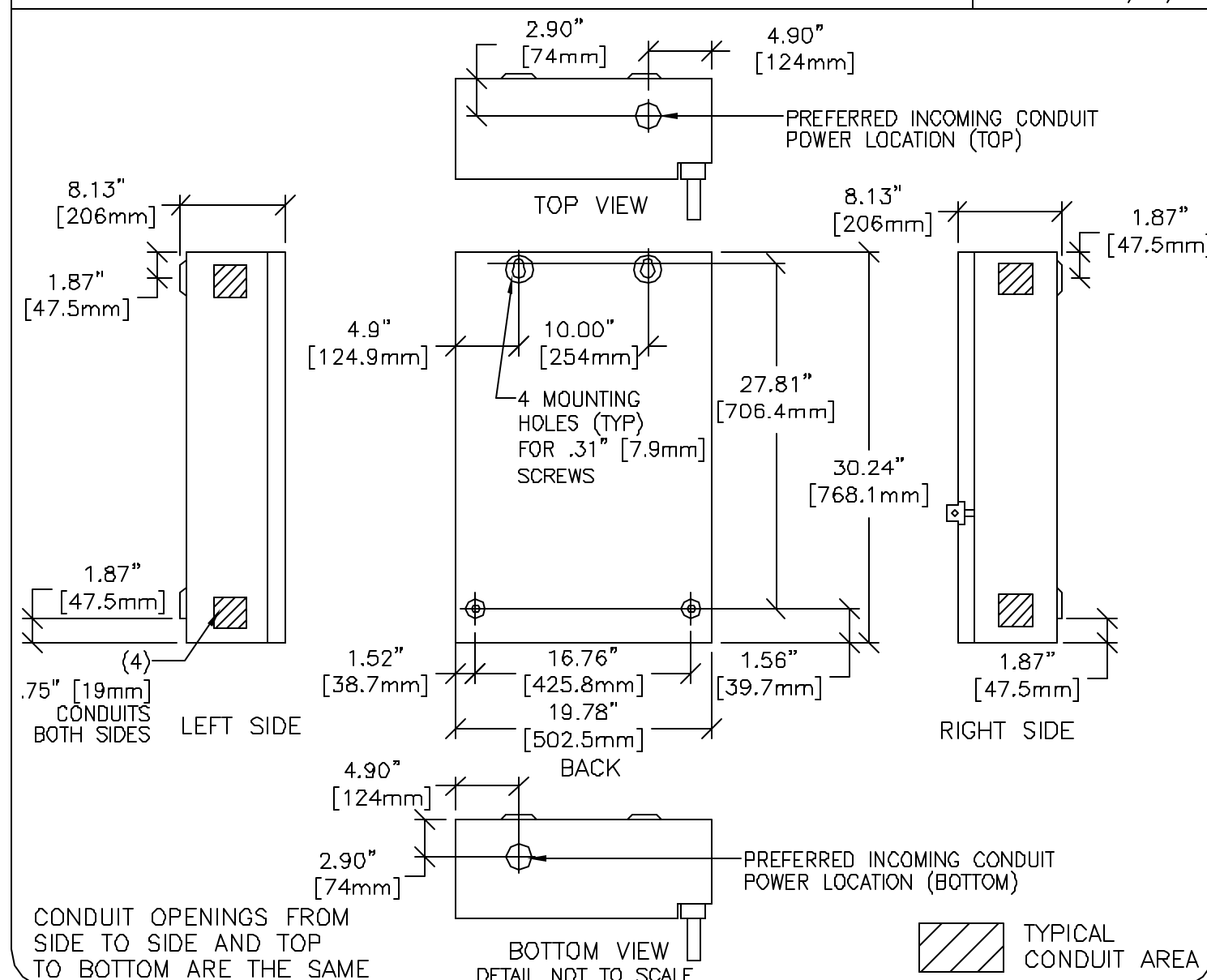


DETAIL NOT TO SCALE

**ELECTRICAL DETAIL**  
MAIN DISCONNECT PANEL

ELEC-135

REV. DATE: 09/27/04



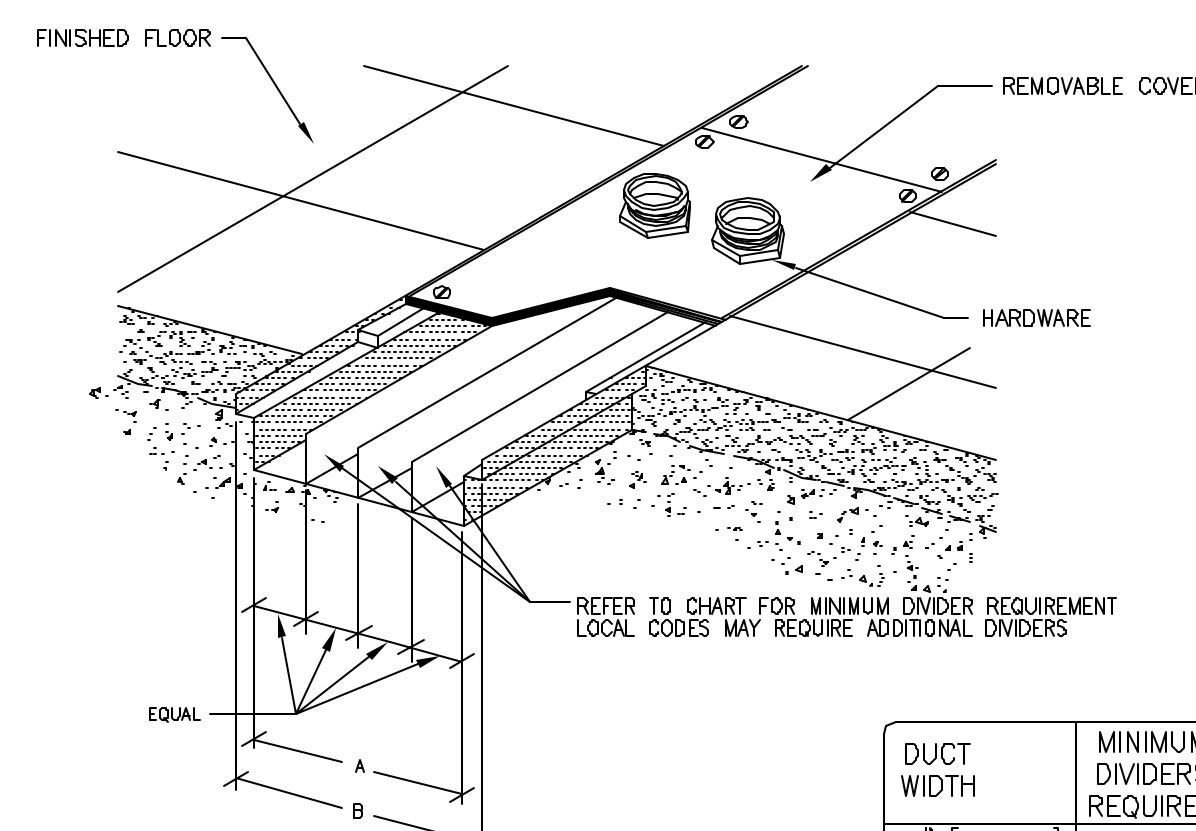
CONDUIT OPENINGS FROM SIDE TO SIDE AND TOP TO BOTTOM ARE THE SAME  
DETAIL NOT TO SCALE

DUCT WIDTH	MINIMUM DIVIDERS REQUIRED
24" [610mm]	2
18" [457mm]	2
10" [254mm]	2
6" [152mm]	1
4" [102mm]	1

**ELECTRICAL DETAIL**  
FLUSH FLOOR DUCT (TYPICAL)

ELEC-25

REV. DATE: 4/01/04



DETAIL NOT TO SCALE

DUCT WIDTH	MINIMUM DIVIDERS REQUIRED
24" [610mm]	2
18" [457mm]	2
10" [254mm]	2
6" [152mm]	1
4" [102mm]	1

**GE Healthcare Technologies**  
Installation Services Design Center  
Milwaukee, Wisconsin

SHEET TITLE: ELECTRICAL DETAILS  
MODALITY TYPE: LIGHTSPEED VCT  
THIS PLAN IS SUBMITTED TO SUGGEST LOCATION OF GE HEALTHCARE EQUIPMENT AND ASSOCIATED APPARATUS, ELECTRICAL WIRING DETAILS AND ROOM ARRANGEMENTS. THE CONTRACTOR SHALL VERIFY ALL CONDITIONS AND REQUIREMENTS FOR THE ACTUAL CONSTRUCTION PURPOSES. HOWEVER, THE COMPANY CANNOT ACCEPT RESPONSIBILITY FOR ANY DAMAGES RESULTING THEREFROM.

PROJECT TITLE:  
MERCY HOSPITAL  
FORE RIVER  
PORTLAND, MAINE

PROJECT	REVISION
065779	00
DATE:	09-22-06
DRAWN BY:	AJS
CHECKED BY:	REK
QUOTE NO:	KX1CB6
QT. DATE:	09-07-06

REVISION HISTORY:


SHEET  
E3

This drawing is based on Sketch No.: 06NEF023-RC