

SCALE: 1/4" = 1'-0"

ELECTRICAL PLAN

RECOMMENDED CEILING HEIGHT = 9'-0"

JUNCTION POINT DESCRIPTIONS

ELECTRICAL OUTLET LEGEND
CUSTOMER/CONTRACTOR SUPPLIED AND INSTALLED ITEMS. HEIGHT ABOVE FLOOR DETERMINED BY LOCAL CODES UNLESS OTHERWISE SPECIFIED.

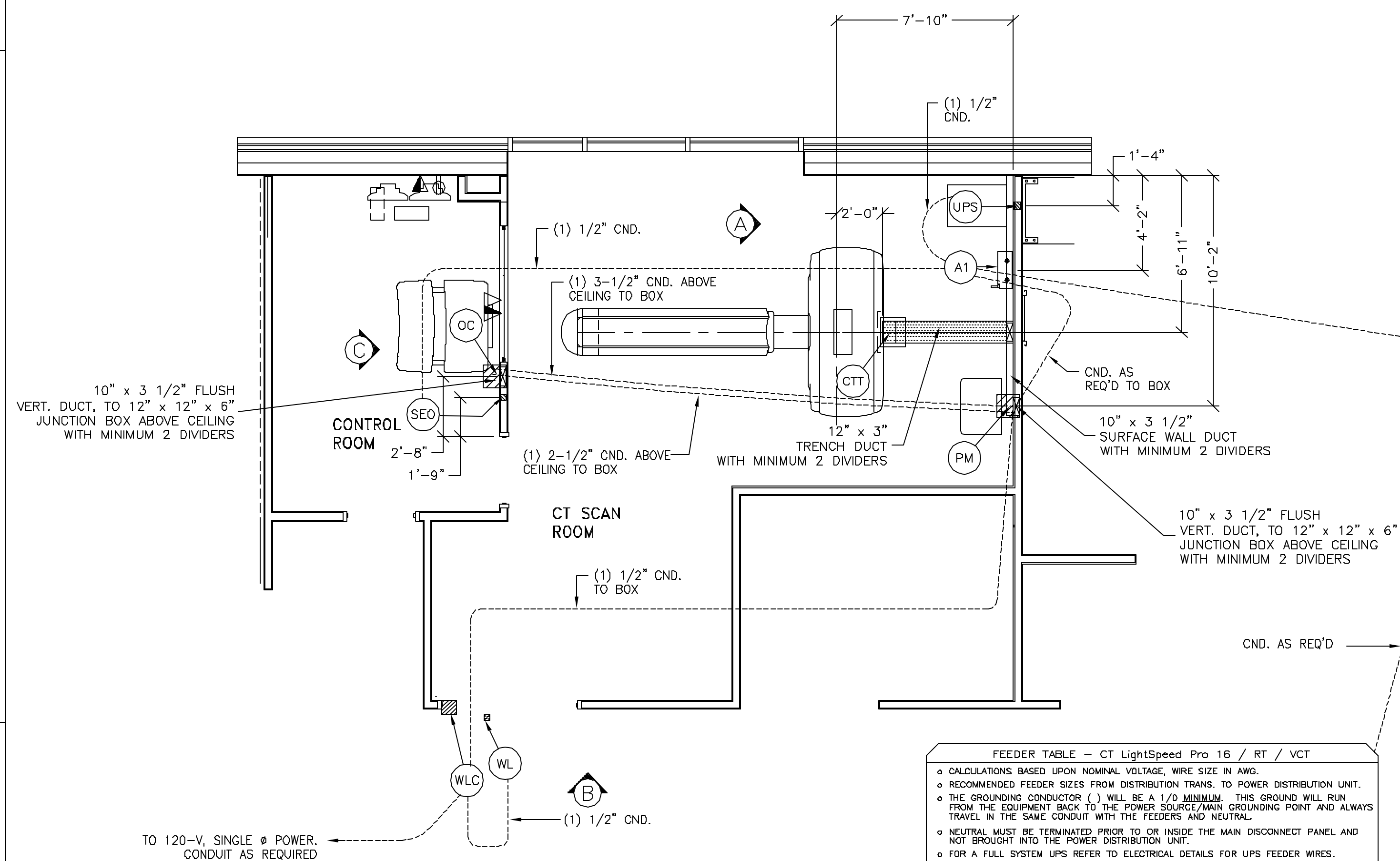
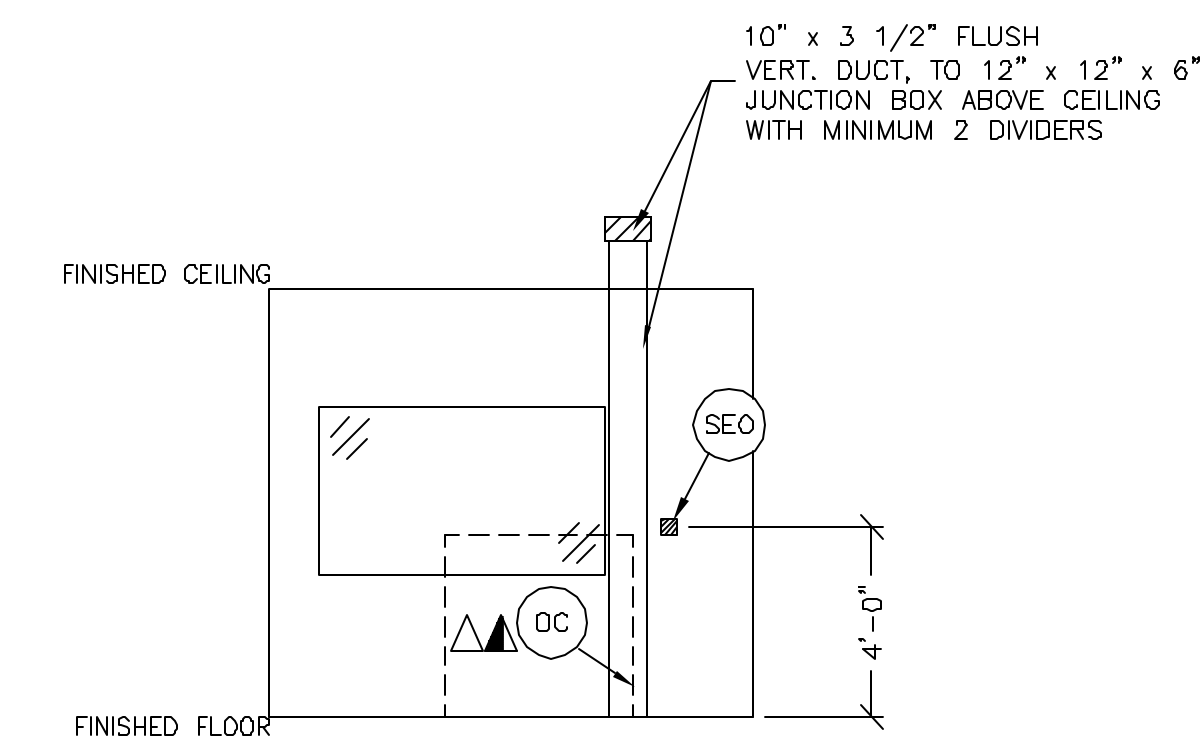
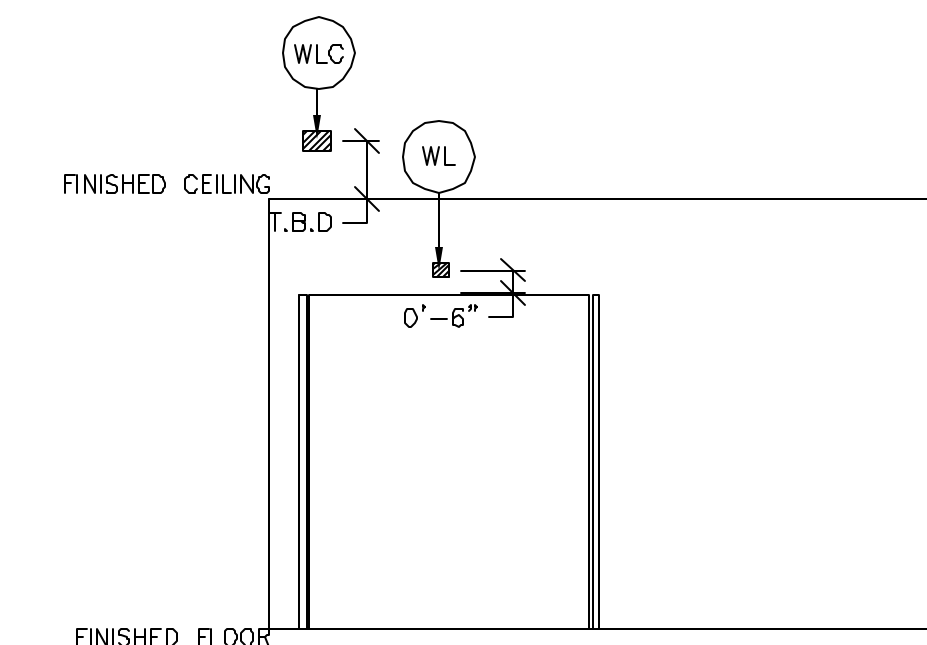
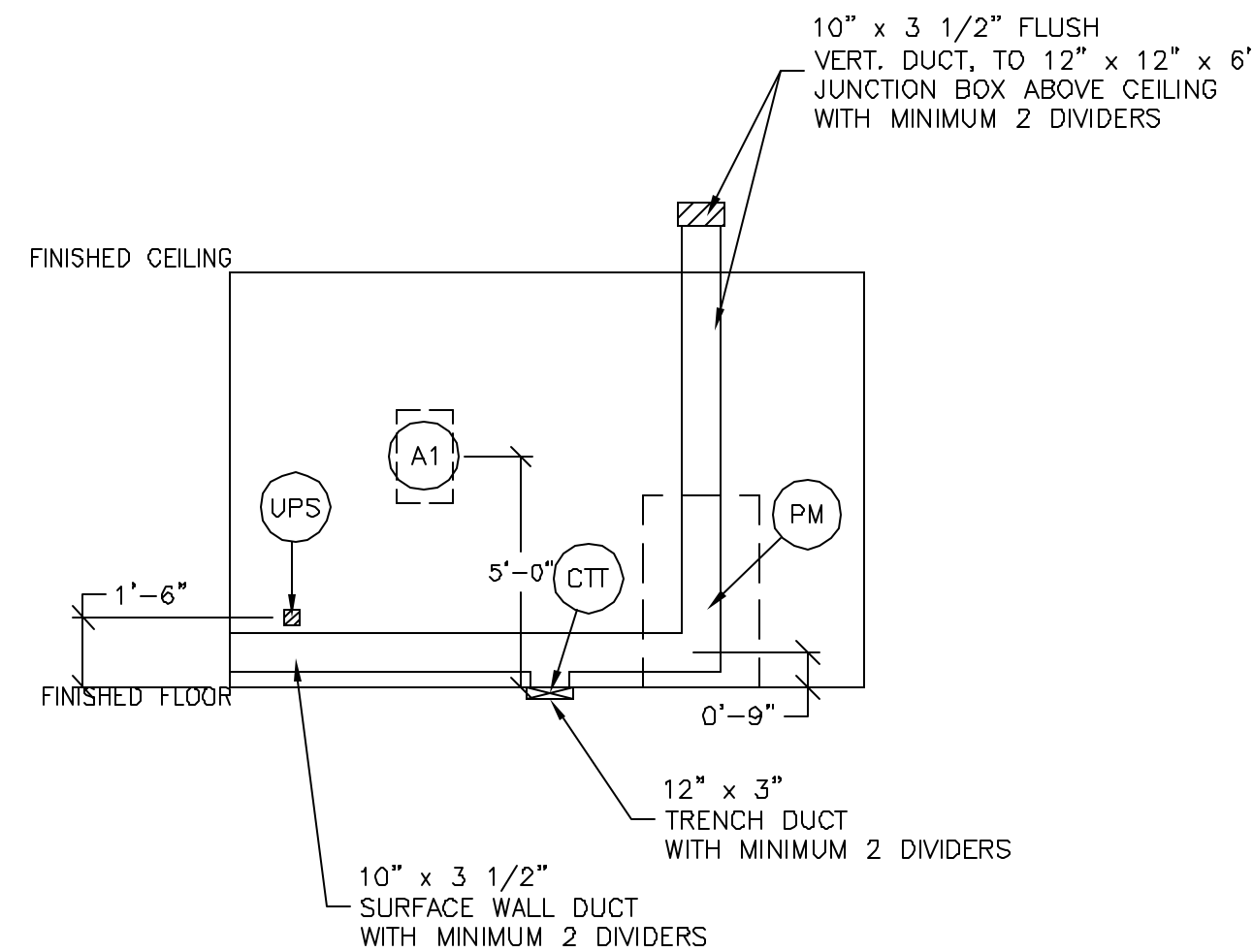
- DUPLEX HOSPITAL GRADE, DEDICATED OUTLET 120-V, SINGLE PHASE POWER
- DEDICATED TELEPHONE LINES (SEE ELECTRICAL DETAIL ELEC-1 OR ELEC-87)
- NETWORK OUTLET (SEE ELECTRICAL DETAILS ELEC-83 AND ELEC-84 OR ELEC-87)

DUCT HATCHING LEGEND

- ABOVE CEILING DUCT
- UNDER FLOOR DUCT
- TRENCH DUCT (FLUSH FLOOR)
- SURFACE FLOOR DUCT
- ABOVE CEILING CONDUIT
- BELOW FLOOR CONDUIT

- JUNCTION POINT NOTES**
- ALL JUNCTION BOXES, CONDUIT, DUCT, DUCT DIVIDERS, SWITCHES, CIRCUIT BREAKERS, ETC., ARE TO BE SUPPLIED AND INSTALLED BY CUSTOMER'S ELECTRICAL CONTRACTOR.
 - CONDUIT AND DUCT RUNS SHALL HAVE SWEEP RADIUS BENDS.
 - CONDUITS AND DUCT ABOVE CEILING OR BELOW FINISHED FLOOR MUST BE INSTALLED AS NEAR TO CEILING OR FLOOR AS POSSIBLE TO REDUCE RUN LENGTH.
 - ALL DUCTWORK MUST MEET THE FOLLOWING REQUIREMENTS:
 - DUCTWORK SHALL BE METAL WITH DIVIDERS AND HAVE REMOVABLE, ACCESSIBLE COVERS.
 - DUCTWORK SHALL BE CERTIFIED/RATED FOR ELECTRICAL POWER PURPOSES.
 - DUCTWORK SHALL BE ELECTRICALLY AND MECHANICALLY BONDED TOGETHER IN AN APPROVED MANNER.
 - PVC AS A SUBSTITUTE MUST BE USED IN ACCORDANCE WITH ALL LOCAL AND NATIONAL CODES.
 - ALL OPENINGS IN ACCESS FLOORING ARE TO BE CUT OUT AND FINISHED OFF WITH GROMMET MATERIAL BY THE CUSTOMER'S CONTRACTOR.
 - GENERAL CONTRACTOR TO INSERT PULL CORDS FOR ALL CABLE RUN CONDUITS BETWEEN THE EQUIPMENT ROOM AND THE OPERATORS CONTROL ROOM.

POINT	THE FOLLOWING MATERIALS ARE TO BE SUPPLIED AND INSTALLED BY THE CUSTOMER'S ELECTRICAL CONTRACTOR		
	DESCRIPTION	QTY.	HARDWARE
A1	MAIN DISCONNECT	1	PANEL - INCLUDED IN ORDER
CTT	CT SCANNER	3	3 1/2 IN. DIA. CHASE NIPPLES
OC	OPERATORS CONSOLE	1	12 IN. OF GROMMET MATERIAL FOR A 3 X 3 IN. OPENING IN DUCT COVER
PM	POWER DISTRIBUTION UNIT	1	12 IN. OF GROMMET MATERIAL FOR A 3 X 3 IN. OPENING IN DUCT COVER
		2	3 IN. 90 DEGREE CONNECTOR
		1	6 FT. LENGTH OF 2 IN. FLEXIBLE METAL CONDUIT
		2	SUITABLE CONNECTORS
		1	6 FT. LENGTH OF 1/2 IN. FLEXIBLE METAL CONDUIT
SEO	EMERGENCY OFF	1	SINGLE GANG 2 1/8 IN. DEEP FLUSH MOUNTED JUNCTION BOX.
UPS	UPS CABINET	1	COVERPLATE
		1	4 X 4 X 4 IN. BOX
		1	1 IN. DIA. CHASE NIPPLE
WL	WARNING LIGHT	1	1' X-RAY ONLY INCANDESCENT LIGHT FIXTURE DO NOT USE FLUORESCENT FIXTURES GE CAT. NO. VXIABW-DF-X1U
WLC	WARNING LIGHT CONTROLLER	1	E4500AM WARNING LIGHT CONTROL OR EQUIVALENT MAX 24V CONTROLLER



FEEDER TABLE - CT LightSpeed Pro 16 / RT / VCT

o CALCULATIONS BASED UPON NOMINAL VOLTAGE, WIRE SIZE IN AWG.
o RECOMMENDED FEEDER SIZES FROM DISTRIBUTION TRANS. TO POWER DISTRIBUTION UNIT.
o THE GROUNDING CONDUCTOR () WILL BE A 1/0 MINIMUM. THIS GROUND WILL RUN FROM THE EQUIPMENT BACK TO THE POWER SOURCE/MAIN GROUNDING POINT AND ALWAYS TRAVEL IN THE SAME CONDUIT WITH THE FEEDERS AND NEUTRAL.
o NEUTRAL MUST BE TERMINATED PRIOR TO OR INSIDE THE MAIN DISCONNECT PANEL AND NOT BROUGHT INTO THE POWER DISTRIBUTION UNIT.
o FOR A FULL SYSTEM UPS REFER TO ELECTRICAL DETAILS FOR UPS FEEDER WIRES.

RUN LENGTH IN FEET	342-418 380		350-440 400		378-452 420		396-484 440		414-506 460		432-528 480	
	FEEDER	GROUND	FEEDER	GROUND	FEEDER	GROUND	FEEDER	GROUND	FEEDER	GROUND	FEEDER	GROUND
50	1/0	(1/0)	1/0	(1/0)	1/0	(1/0)	1	(1/0)	1	(1/0)	1	(1/0)
100	1/0	(1/0)	1/0	(1/0)	1/0	(1/0)	1	(1/0)	1	(1/0)	1	(1/0)
150	2/0	(1/0)	1/0	(1/0)	1/0	(1/0)	1	(1/0)	1	(1/0)	1	(1/0)
200	3/0	(1/0)	3/0	(1/0)	2/0	(1/0)	2/0	(1/0)	1/0	(1/0)	1/0	(1/0)
250	4/0	(1/0)	4/0	(1/0)	3/0	(1/0)	3/0	(1/0)	2/0	(1/0)	2/0	(1/0)
300	300M	(1/0)	250M	(1/0)	4/0	(1/0)	4/0	(1/0)	3/0	(1/0)	3/0	(1/0)
350	350M	(1/0)	300M	(1/0)	300M	(1/0)	250M	(1/0)	4/0	(1/0)	4/0	(1/0)
400	500M	(1/0)	400M	(1/0)	350M	(1/0)	300M	(1/0)	250M	(1/0)	4/0	(1/0)

REV. DATE: 01/18/05

CONTRACTOR SUPPLIED AND INSTALLED WIRING
ELECTRICAL CONTRACTOR SHALL RING OUT AND TAG ALL WIRES AT BOTH ENDS.

WIRE RUN, FROM - TO	QUANTITY, WIRE SIZE/COLOR
A1 > SEO	1-ND. 14 BLACK, 1-ND. 14 WHITE, 1-ND. 14 GREEN
A1 > PM	3-BLACK, 1 GREEN - REFER TO FEEDER TABLE
480-V > A1	3 BLACK, 1 WHITE, 1 GREEN - REFER TO FEEDER TABLE
WLC > 1 PHASE	1-ND. 14 BLACK, 1-ND. 14 WHITE, 1-ND. 14 GREEN
PM > WLC	1-ND. 14 BLACK, 1-ND. 14 WHITE, 1-ND. 14 GREEN
WL > WLC	2-ND. 14 BLACK, 1-ND. 14 RED, 1-ND. 14 WHITE

Drawn by: Angela Sterr Octel no.: 3204508
GE Installation
Project Manager: JIM DOMBROSKI
Telephone no.: 603-934-3739

GE Healthcare Technologies
Installation Services Design Center
Milwaukee, Wisconsin

SHEET TITLE: ELECTRICAL LAYOUT
MODALITY TYPE: LIGHTSPEED VCT

THIS PLAN IS SUBMITTED TO SUGGEST LOCATION OF GE HEALTHCARE EQUIPMENT AND ASSOCIATED APPARATUS, ELECTRICAL WIRING DETAILS AND ROOM ARRANGEMENTS. IT IS NOT TO BE USED FOR CONSTRUCTION PURPOSES UNLESS IT IS INSTALLED AS SHOWN. THE COMPANY CANNOT ACCEPT RESPONSIBILITY FOR ANY DAMAGES RESULTING THEREFROM.

PROJECT TITLE:
**MERCY HOSPITAL
FORE RIVER
PORTLAND, MAINE**

PROJECT 065779 REVISION 00
DATE: 09-22-06
DRAWN BY: AUS
CHECKED BY: REK
QUOTE NO: KX1CB6
QT. DATE: 09-07-06

REVISION HISTORY:

SHEET
E1