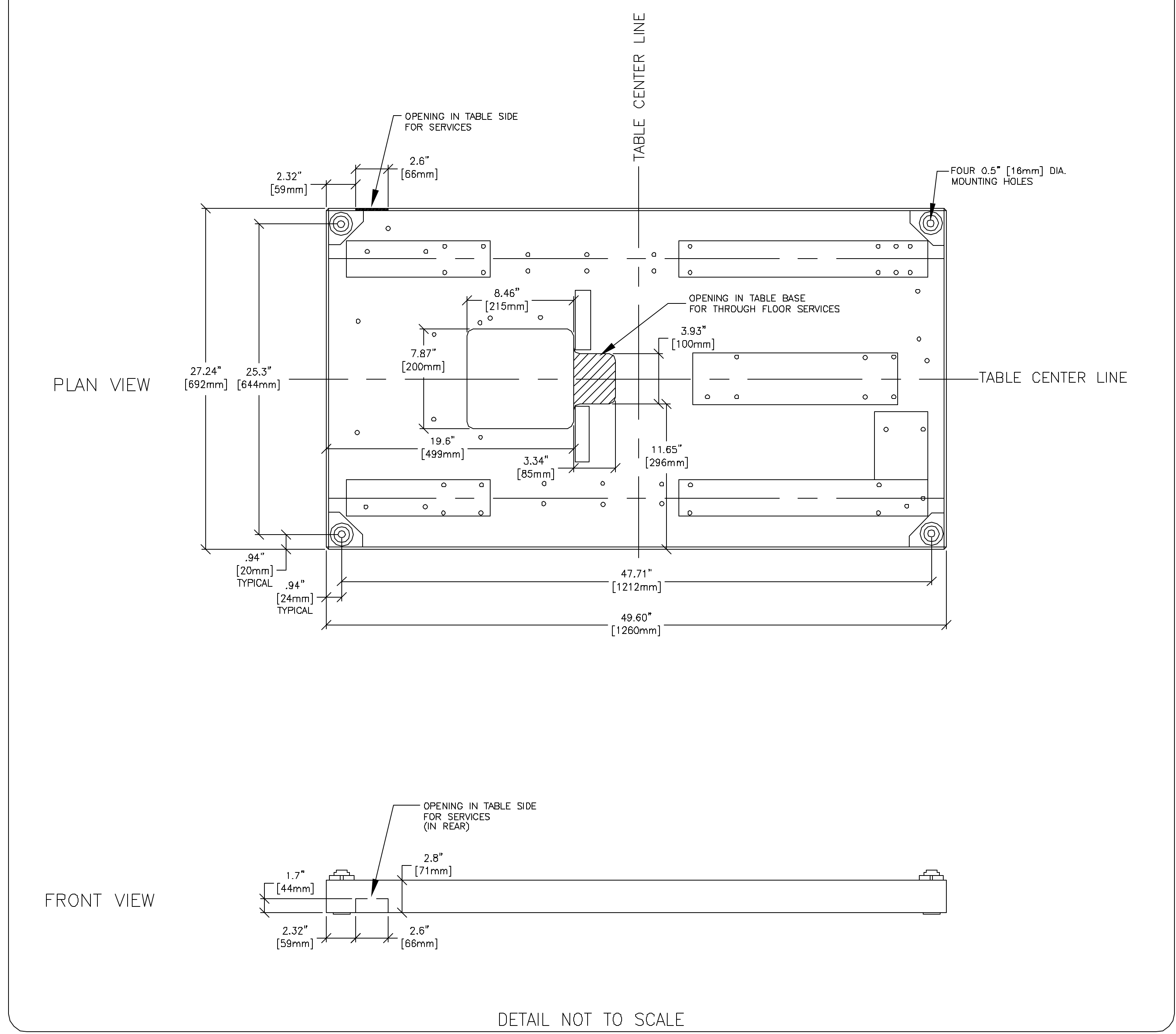
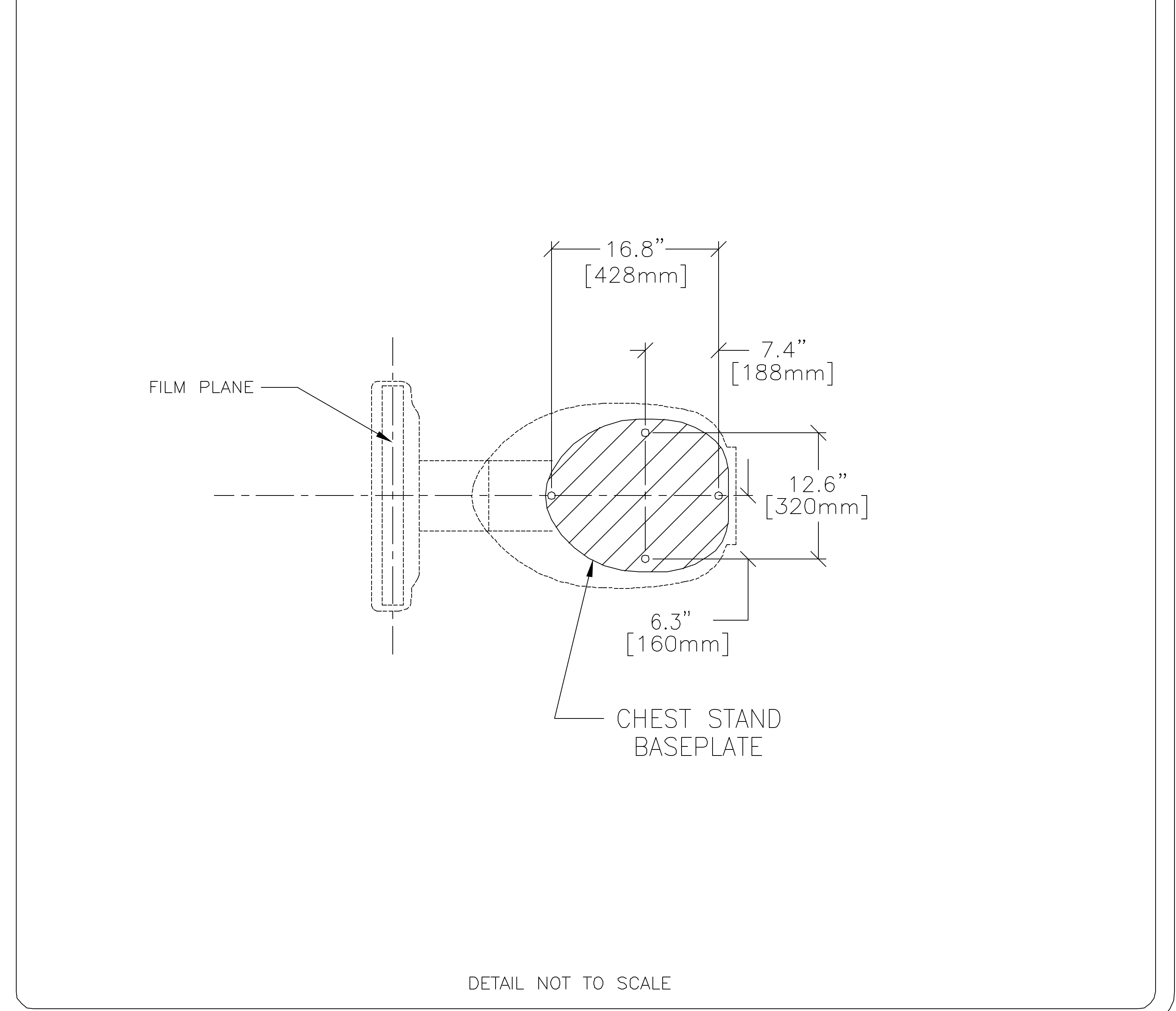


**FLOOR MOUNTING DETAIL: DIGITAL ELEVATING TABLE INSTALLATION METHODS**  
**B0557L**  
 REV. DATE: 01/25/06



**FLOOR MOUNTING DETAIL: DIGITAL CHEST READER**  
**B0557F**  
 REV. DATE: 01/25/06



**GE Healthcare Technologies**  
 Installation Services Design Center  
 Milwaukee, Wisconsin

SHEET TITLE: STRUCTURAL DETAILS  
 MODALITY TYPE: DEFINIUM 8000  
 THIS PLAN IS SUBMITTED TO SUGGEST LOCATION OF GE HEALTHCARE EQUIPMENT AND ASSOCIATED APPARATUS, ELECTRICAL WIRING, DETAILS AND ROOM ARRANGEMENTS. THE CONTRACTOR SHALL VERIFY ALL DIMENSIONS AND CONDITIONS PRIOR TO INSTALLATION. THE CONTRACTOR SHALL BE RESPONSIBLE FOR OBTAINING ALL NECESSARY PERMITS AND APPROVALS. THE CONTRACTOR SHALL BE RESPONSIBLE FOR OBTAINING ALL NECESSARY PERMITS AND APPROVALS. THE CONTRACTOR SHALL BE RESPONSIBLE FOR OBTAINING ALL NECESSARY PERMITS AND APPROVALS.

PROJECT TITLE:  
**MERCY HOSPITAL  
 FORE RIVER  
 PORTLAND, MAINE**

PROJECT	REVISION
065693	00
DATE: 09-15-06	
DRAWN BY: PG	
CHECKED BY: TST	
QUOTE NO: attached	
QT. DATE: 09-07-06	

REVISION HISTORY:
