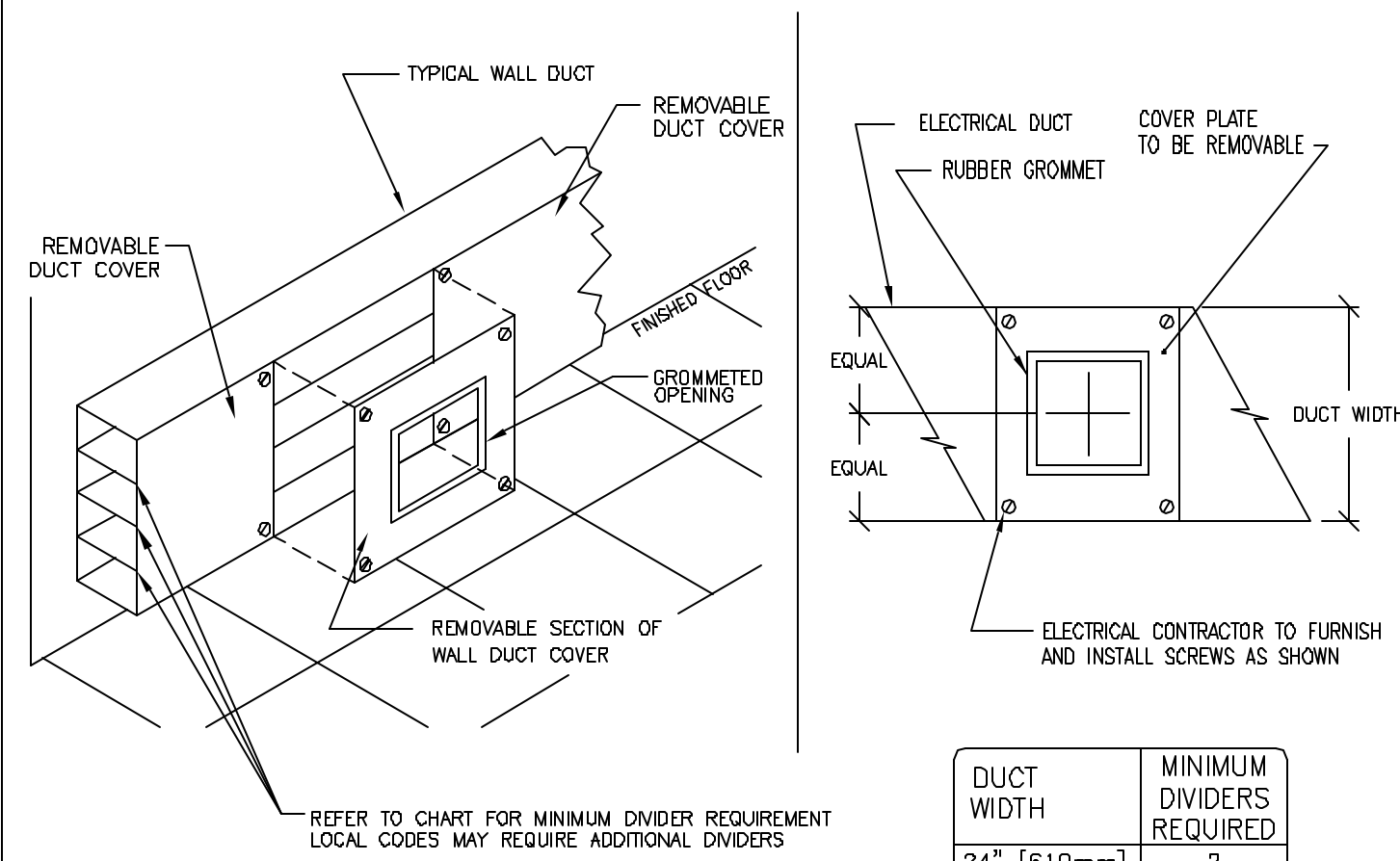


ELECTRICAL DETAIL
HORIZONTAL WALL DUCT (TYPICAL)

ELEC-5

REV. DATE: 03/18/04



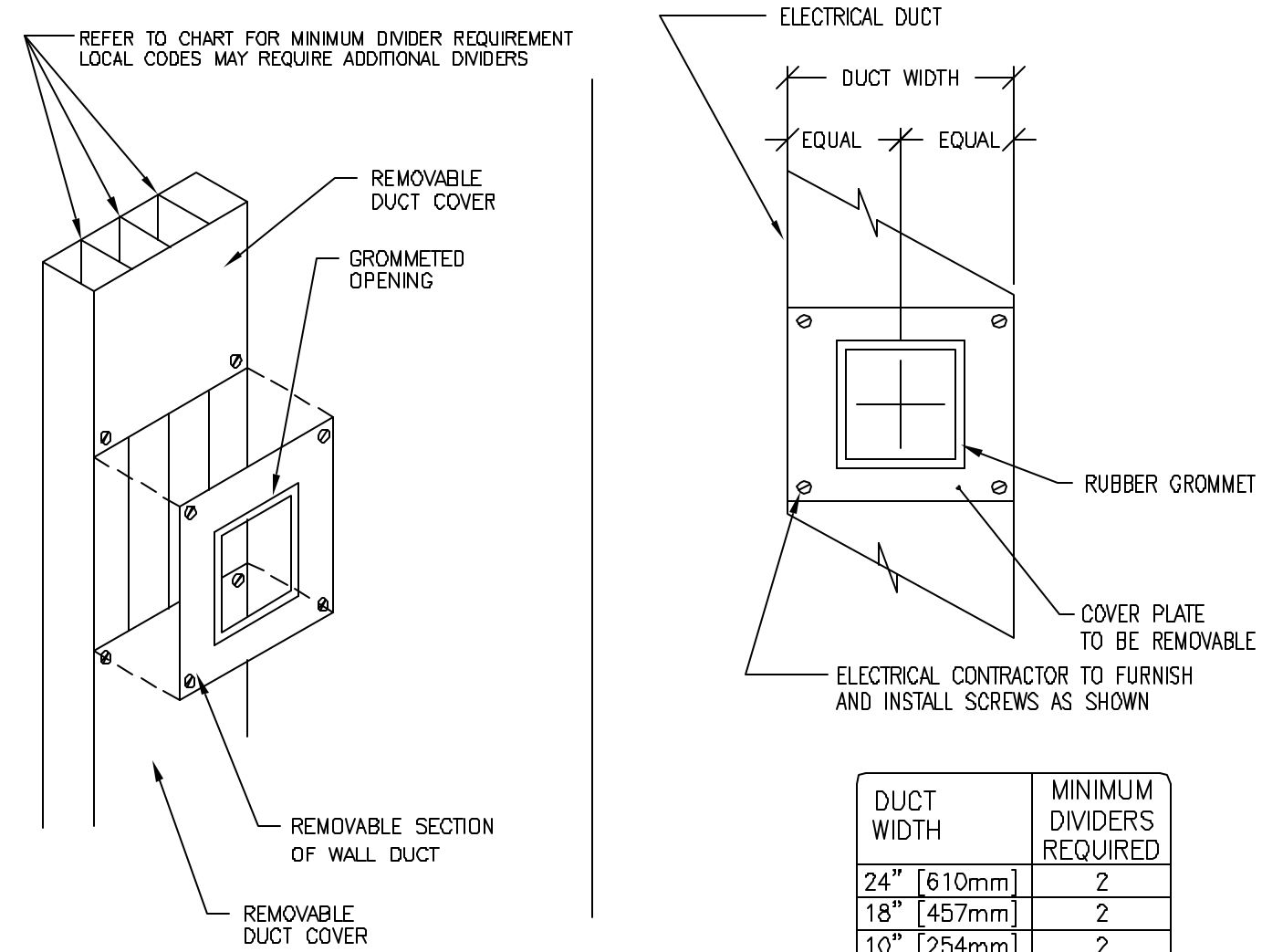
DUCT WIDTH	MINIMUM DIVIDERS REQUIRED
24" [610mm]	2
18" [457mm]	2
10" [254mm]	2
6" [152mm]	1
4" [102mm]	1

DETAIL NOT TO SCALE

ELECTRICAL DETAIL
VERTICAL WALL DUCT (TYPICAL)

ELEC-6

REV. DATE: 03/19/04



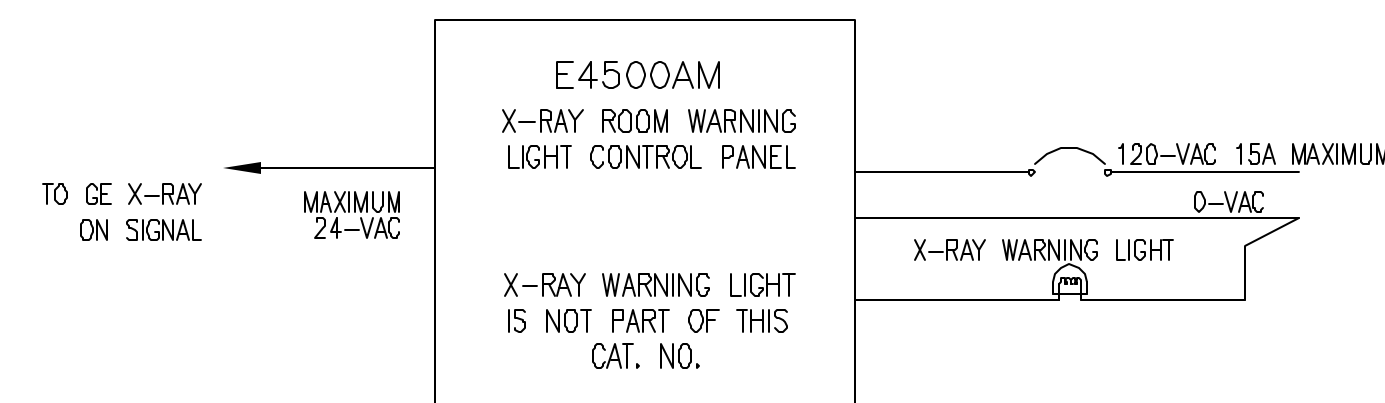
DUCT WIDTH	MINIMUM DIVIDERS REQUIRED
24" [610mm]	2
18" [457mm]	2
10" [254mm]	2
6" [152mm]	1
4" [102mm]	1

DETAIL NOT TO SCALE

ELECTRICAL DETAIL
WARNING LIGHT DIAGRAM

ELEC-72

REV. DATE: 07/20/05



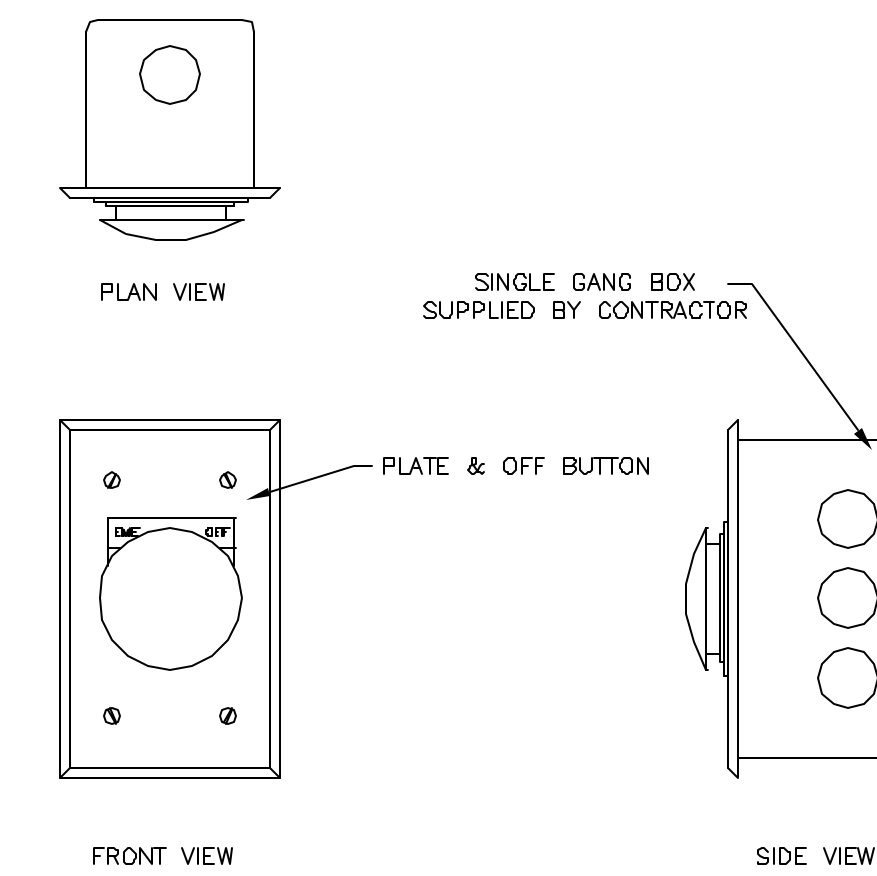
UNLESS SPECIFIED ON SHEET A1 AS BEING INCLUDED ON EQUIPMENT ORDER, ALL ITEMS ILLUSTRATED ARE TO BE FURNISHED AND INSTALLED BY CUSTOMER'S CONTRACTOR

DRAWING NOT TO SCALE

ELECTRICAL DETAIL
EMERGENCY DISCONNECT

ELEC-126

REV. DATE: 08/26/03

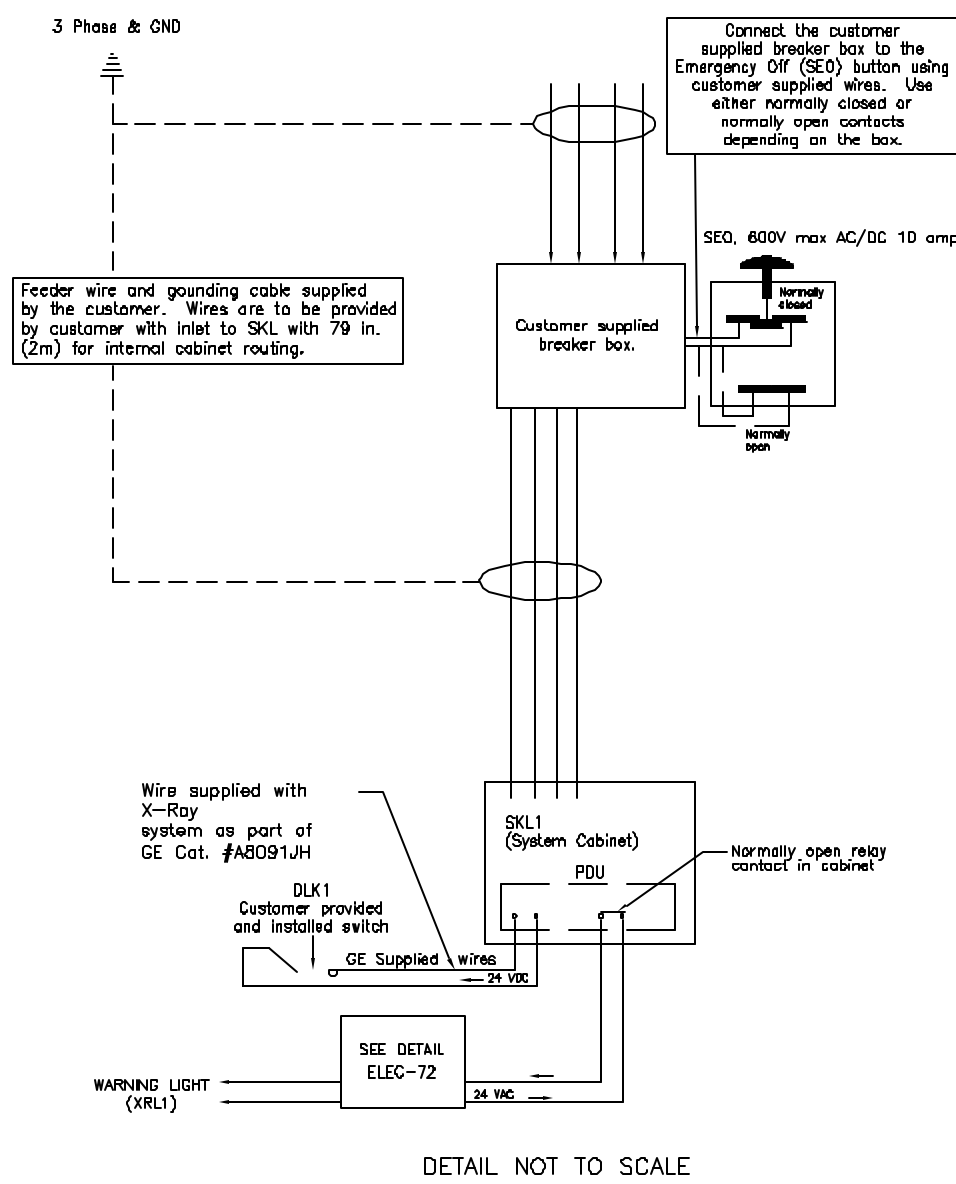


DETAIL NOT TO SCALE

ELECTRICAL DETAIL
ROOM POWER SUPPLY

ELEC-138

REV. DATE: 09-20-05

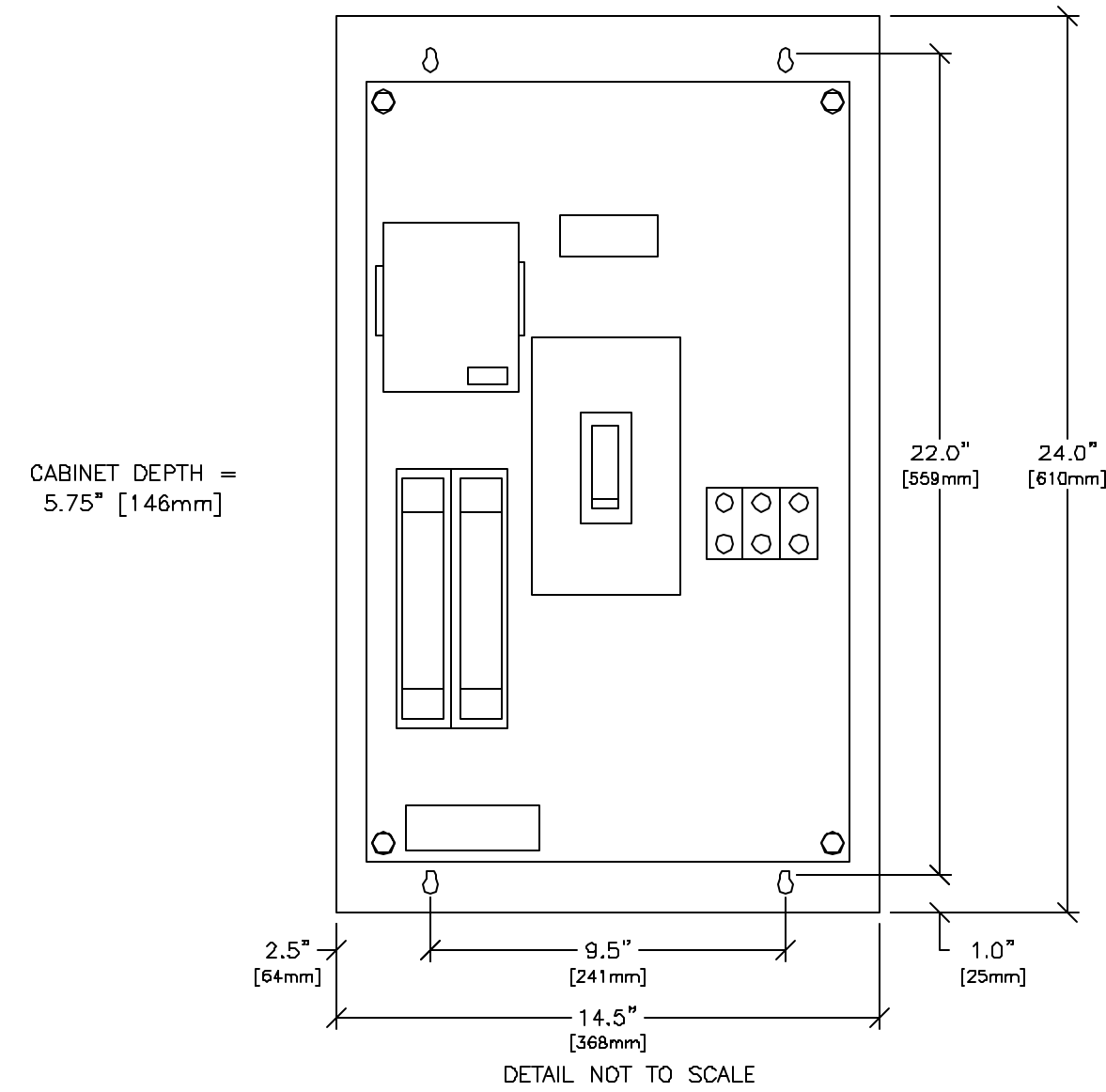


DETAIL NOT TO SCALE

ELECTRICAL DETAIL
X-RAY MAIN DISCONNECT PANEL

ELEC-15

REV. DATE: 01/22/03

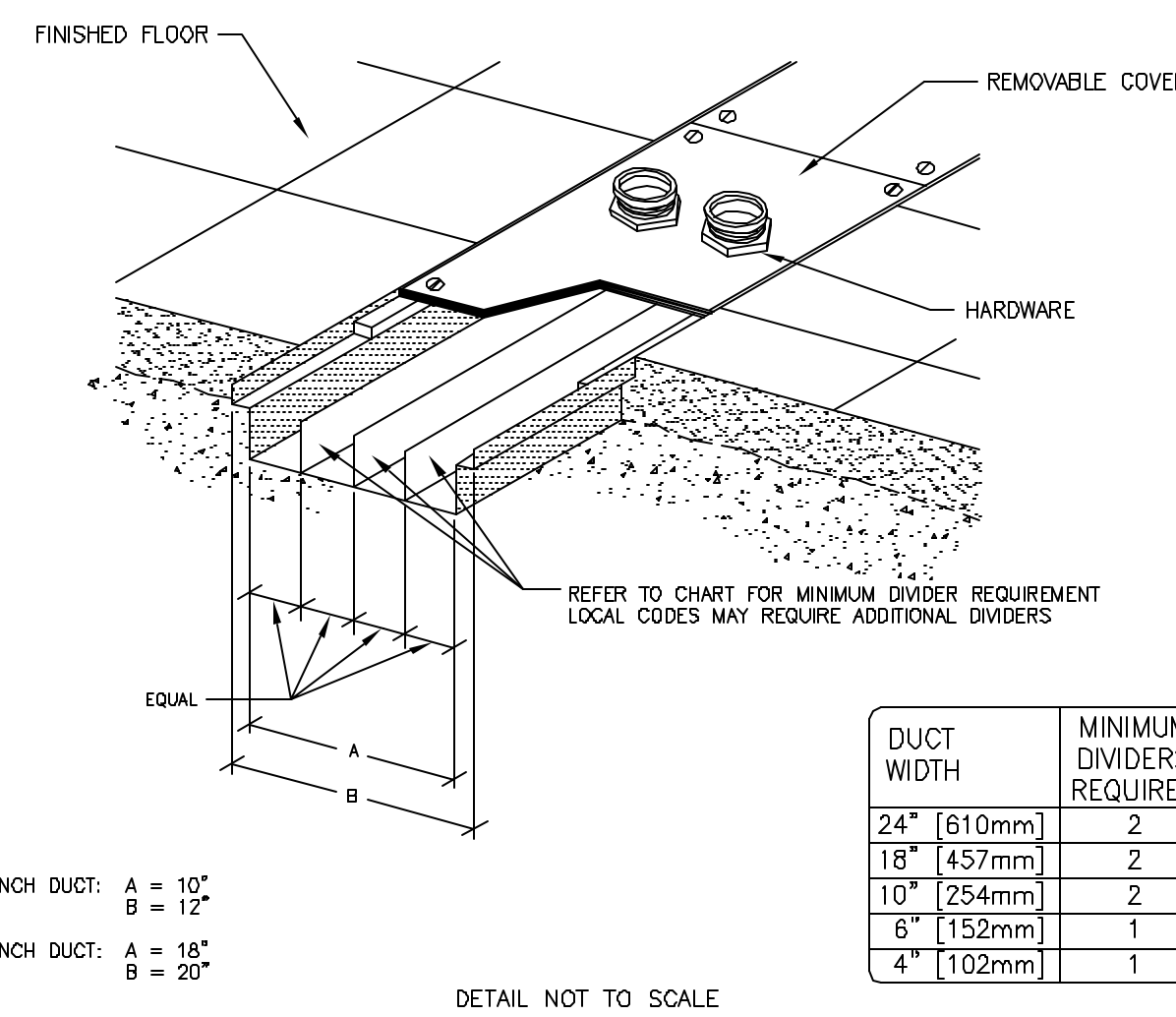


DETAIL NOT TO SCALE

ELECTRICAL DETAIL
FLUSH FLOOR DUCT (TYPICAL)

ELEC-25

REV. DATE: 4/01/04

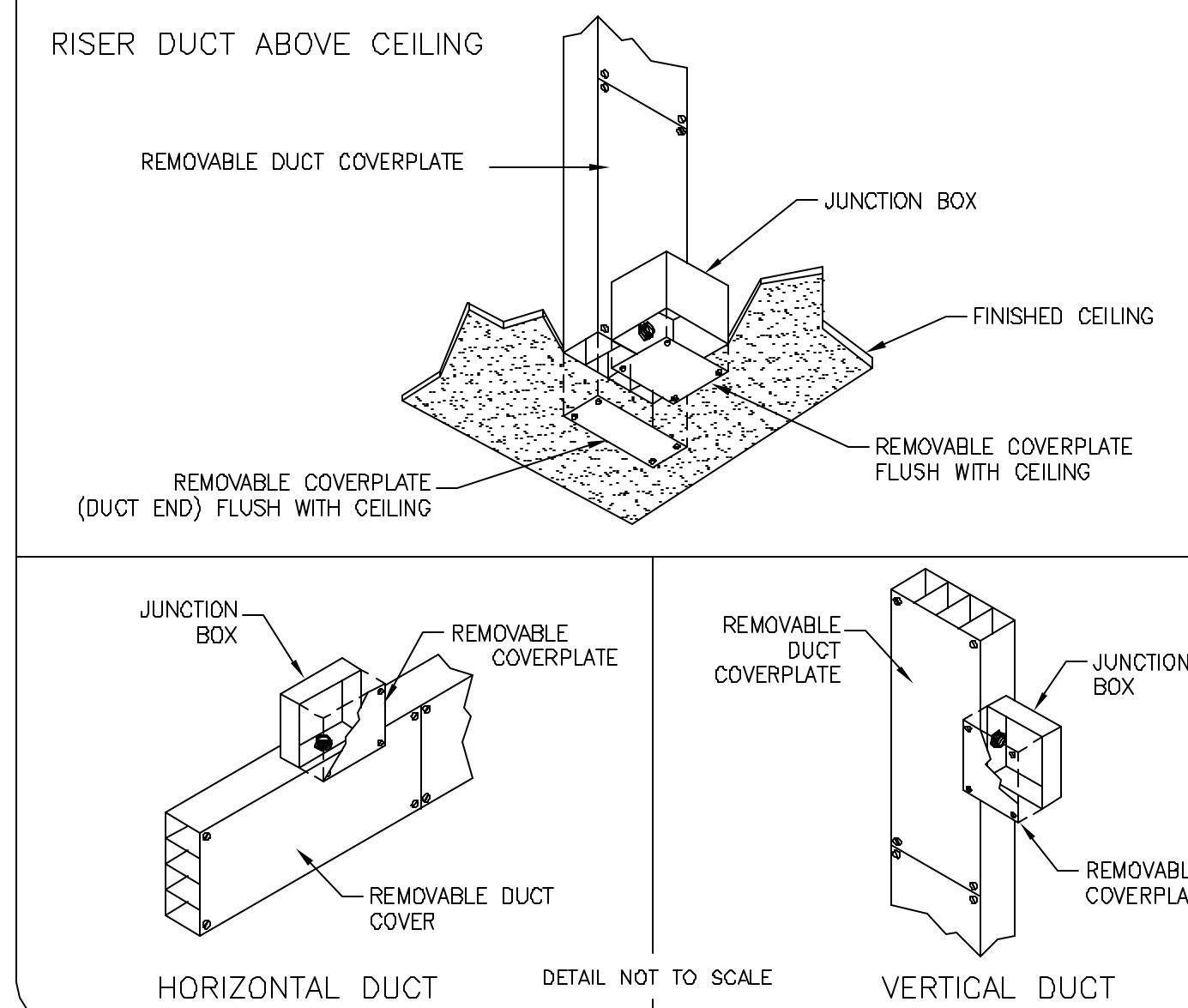


DETAIL NOT TO SCALE

ELECTRICAL DETAIL
BOX ON DUCT (TYPICAL)

ELEC-28

REV. DATE: 04/09/98



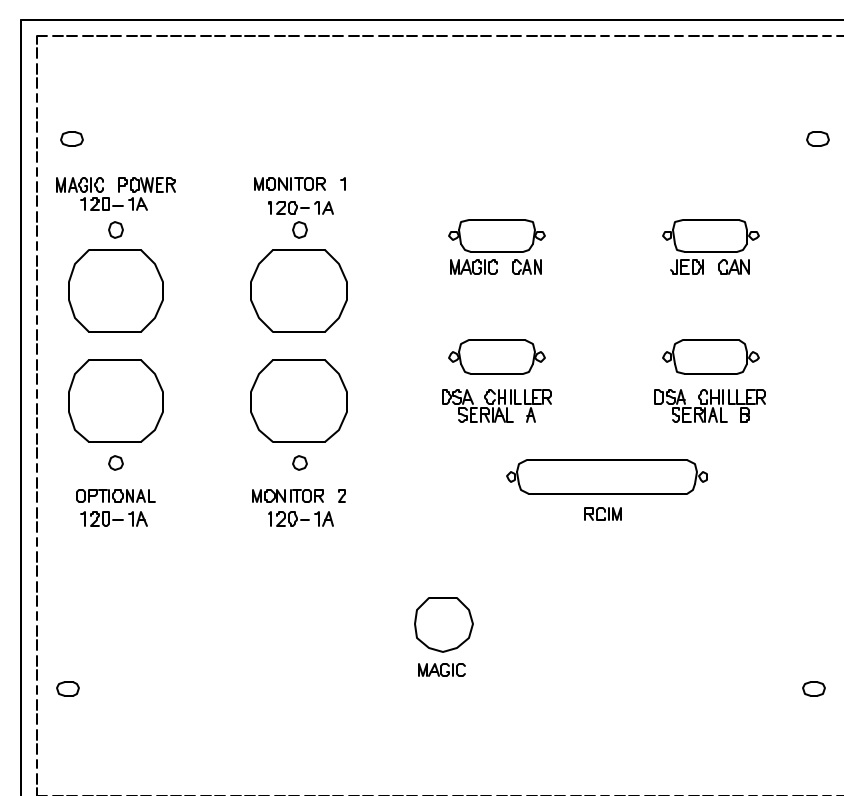
DETAIL NOT TO SCALE

EQUIPMENT DETAIL
WALL PLATE

ELEC-141

REV. DATE: 11/12/05

NOTE: THE USE OF A WALL PLATE AND WALL BOX IS REQUIRED WITH THIS SYSTEM. THE CABLES USED WITH THIS SYSTEM ARE TERMINATED WITH CONNECTORS THAT CAN ONLY BE USED WITH THIS SPECIFIC WALL PLATE.

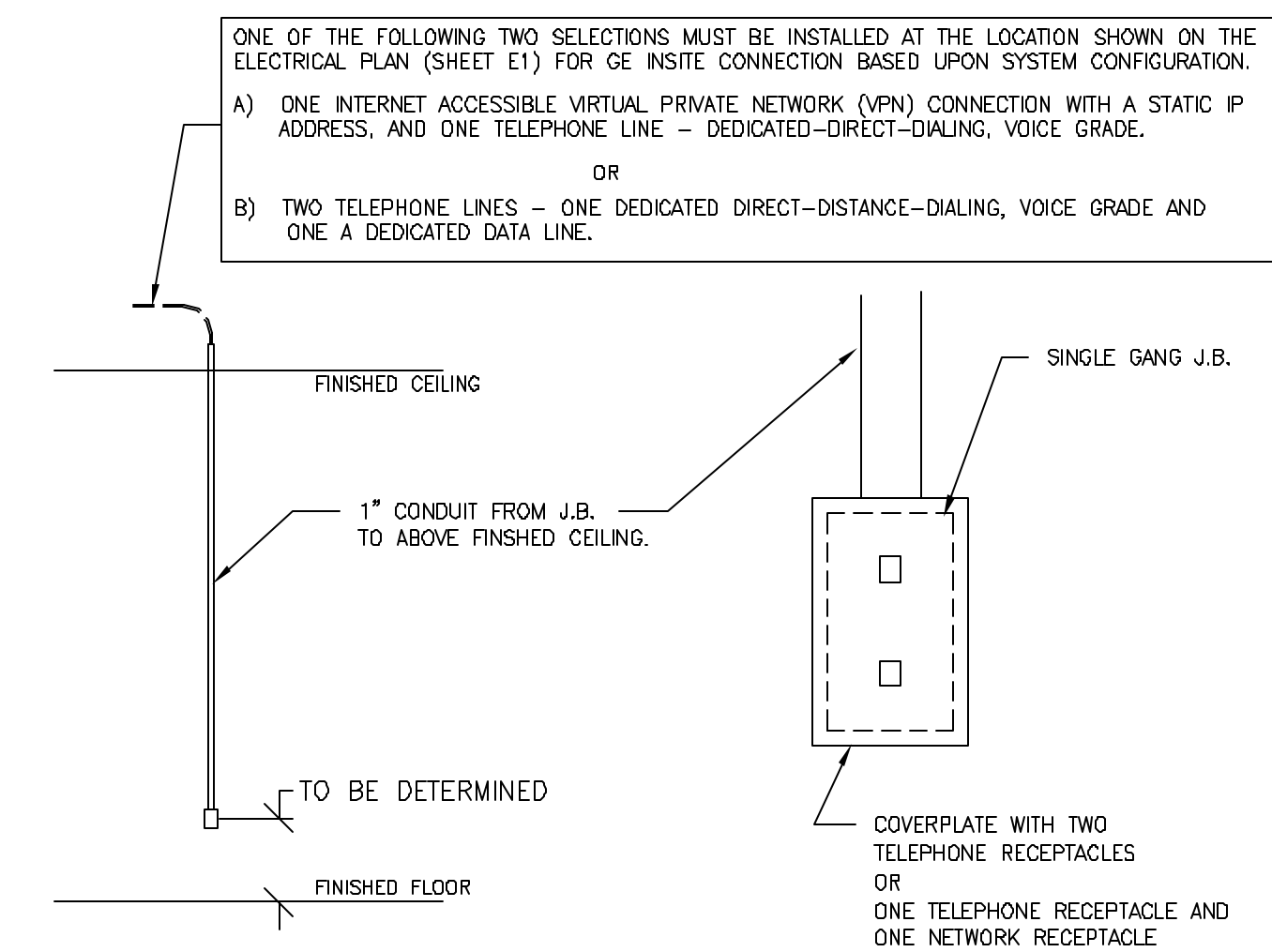


10" x 10" x 4" [254mm x 254mm x 101mm] BOX PROVIDED BY CUSTOMER OR THEIR CONTRACTOR.

ELECTRICAL DETAIL
INSITE CONNECTION (TYPICAL)

ELEC-1

REV. DATE: 04/24/02



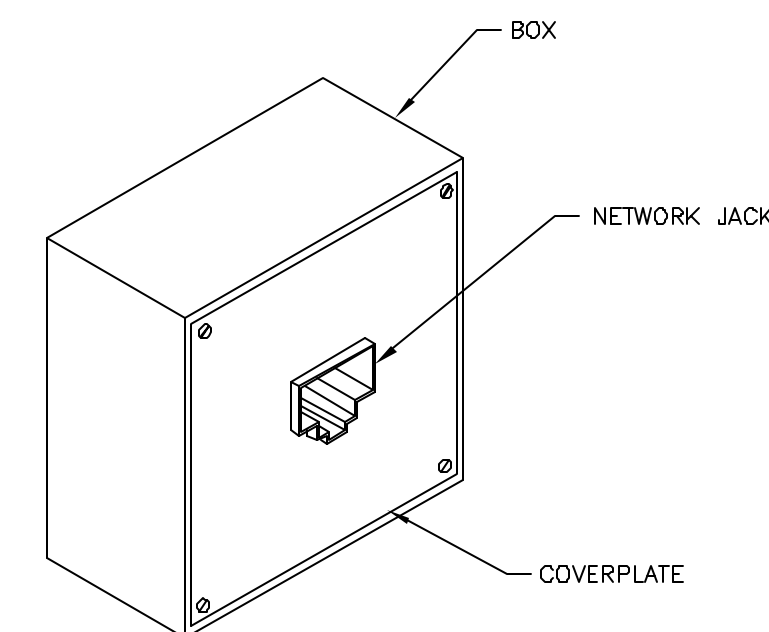
ALL ITEMS ILLUSTRATED ARE TO BE FURNISHED AND INSTALLED BY CUSTOMER OR THEIR CONTRACTOR.

DETAIL NOT TO SCALE

ELECTRICAL DETAIL
BOX WITH COVERPLATE AND NETWORK JACK

ELEC-83

REV. DATE: 10/06/98

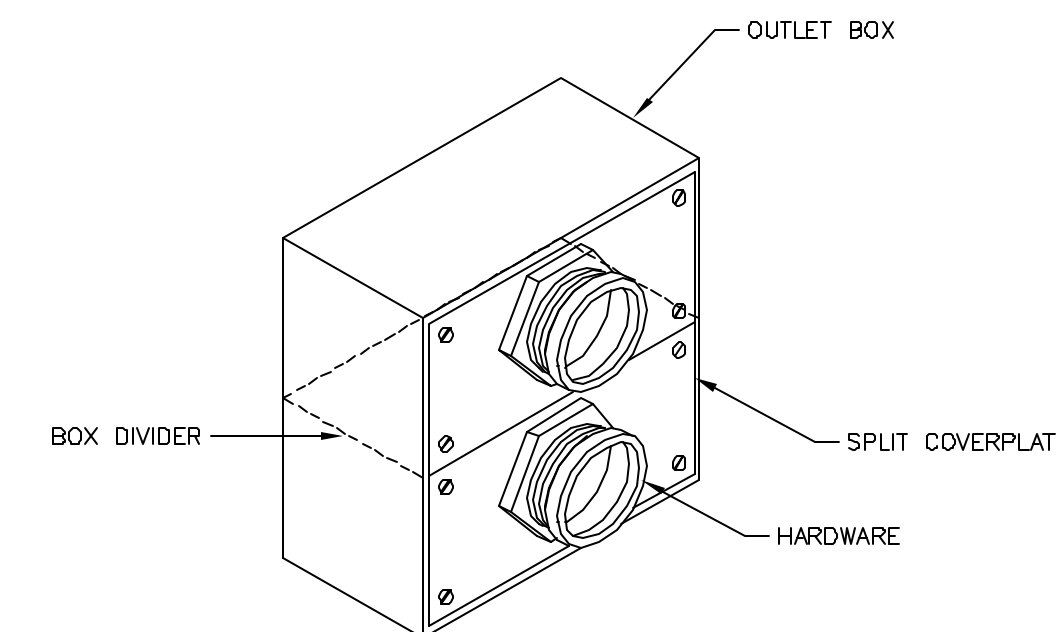


DETAIL NOT TO SCALE

ELECTRICAL DETAIL
BOX WITH DIVIDER AND SPLIT COVERPLATE (TYPICAL)

ELEC-79

REV. DATE: 04/06/04



DETAIL NOT TO SCALE

SHEET TITLE: ELECTRICAL DETAILS
MODALITY TYPE: DEFINIUM 8000

THIS PLAN IS SUBMITTED TO SUGGEST LOCATION OF GE HEALTHCARE EQUIPMENT AND ASSOCIATED APPARATUS, ELECTRICAL WIRING, DETAILS AND ROOM ARRANGEMENTS. THE CUSTOMER'S CONTRACTOR SHALL BE RESPONSIBLE FOR VERIFYING THE LOCATION OF ALL EQUIPMENT AND UTILITIES. THE COMPANY CANNOT ACCEPT RESPONSIBILITY FOR ANY DAMAGES RESULTING THEREFROM.

PROJECT TITLE:
MERCY HOSPITAL
FORE RIVER
PORTLAND, MAINE

PROJECT	REVISION
065693	00
DATE:	09-15-06
DRAWN BY:	PG
CHECKED BY:	TST
QUOTE NO:	attached
QT. DATE:	09-07-06

REVISION HISTORY:

SHEET
E3