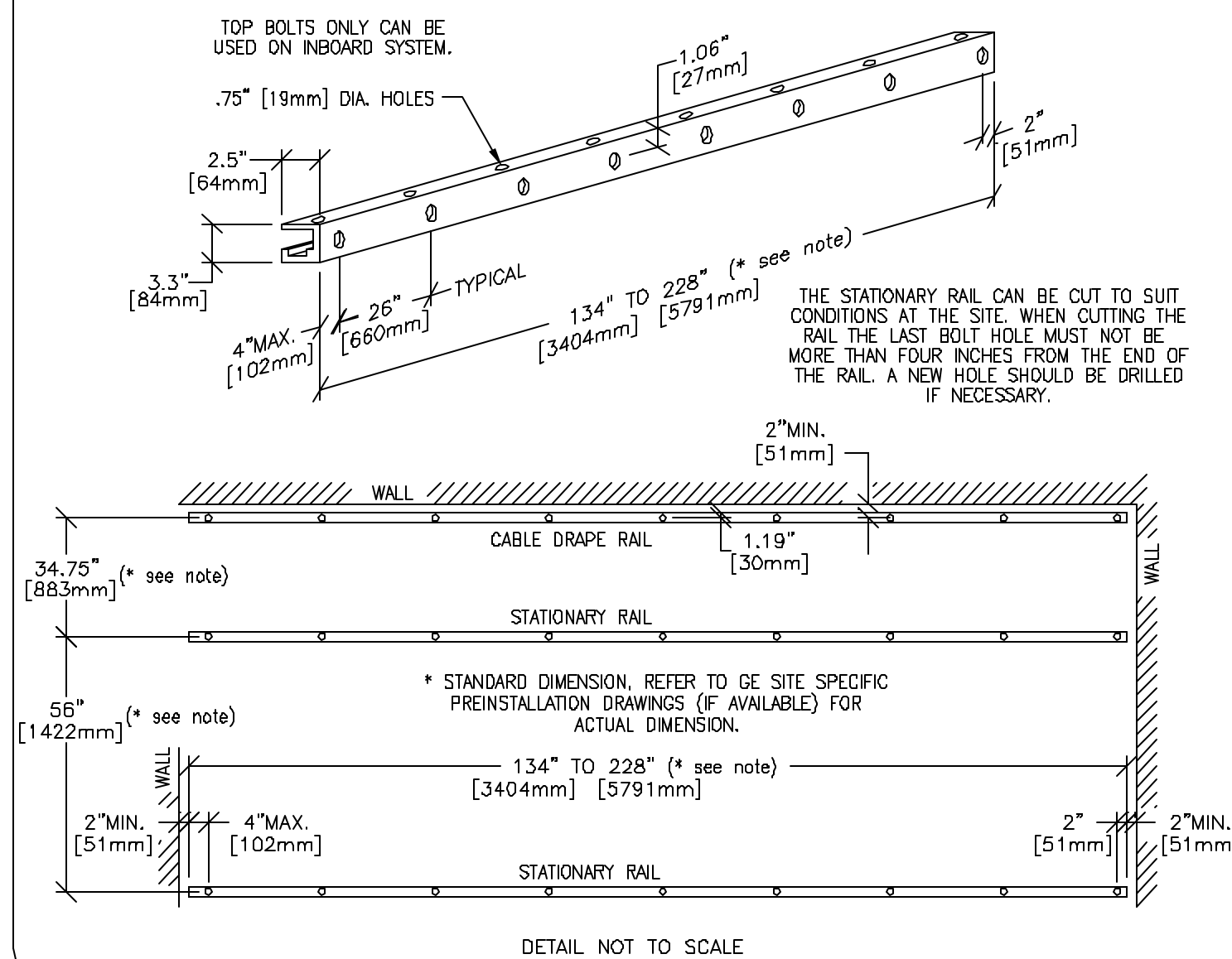


EQUIPMENT DETAIL
XT RADIOGRAPHIC SUSPENSION, INBOARD MOUNTING

B2004

REV. DATE: 12/07/94



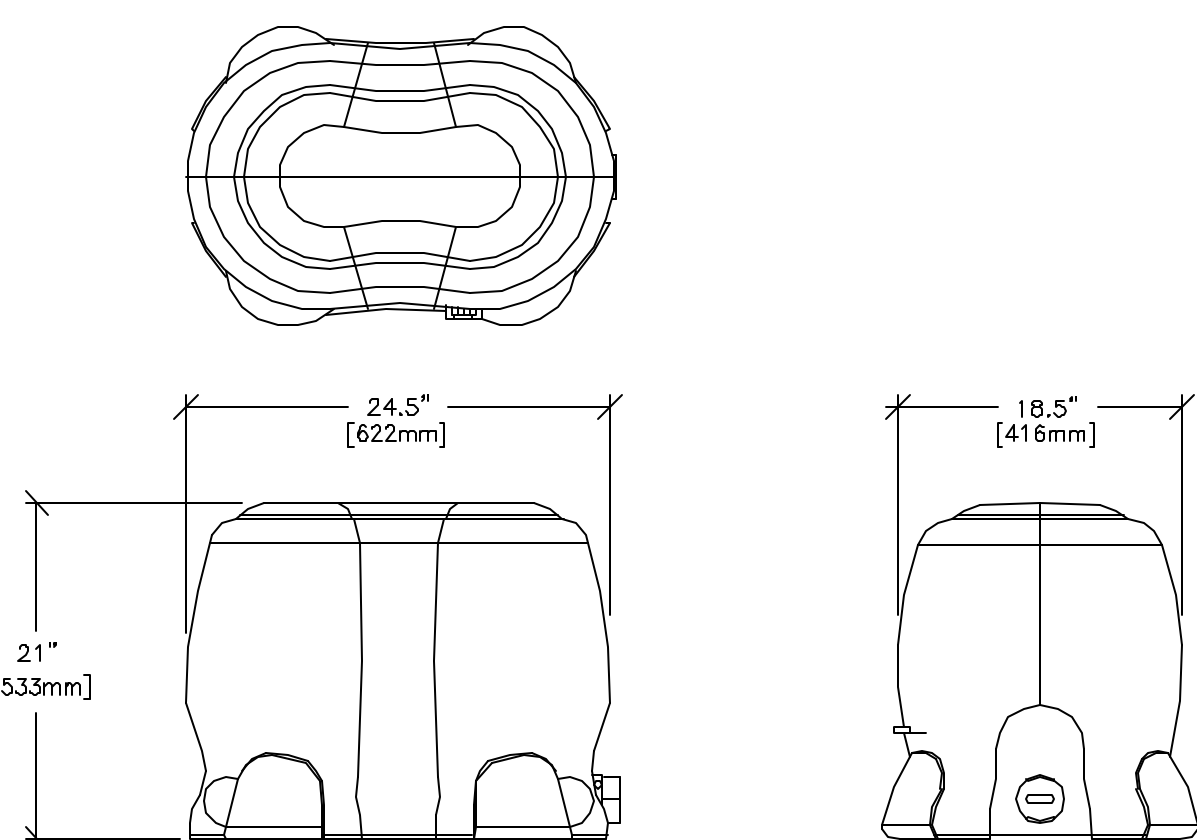
DETAIL NOT TO SCALE

EQUIPMENT DETAIL
DETECTOR SUPPORT ASSEMBLY

B05-57D

REV. DATE: 05/17/05

SHIPPING DIMENSIONS:
24\"(610mm)L x 18\"(457mm)W x 24\"(610mm)H



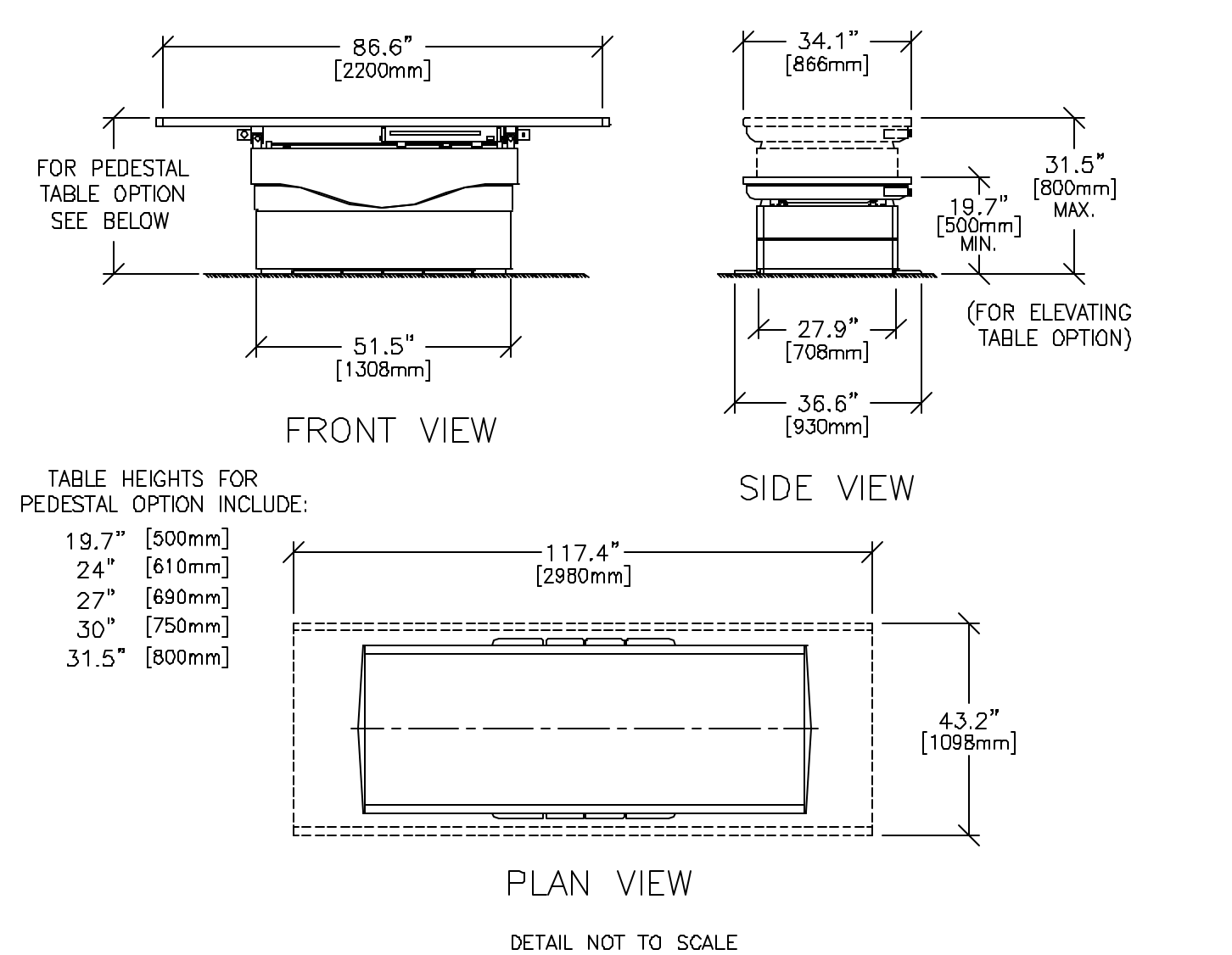
DETAIL NOT TO SCALE

EQUIPMENT DETAIL
DIGITAL ELEVATING RADIOGRAPHIC TABLE

B0557A

REV. DATE: 05/17/05

SHIPPING DIMENSIONS:
95\"(2400mm)L x 44\"(1100mm)W x 51\"(1300mm)H

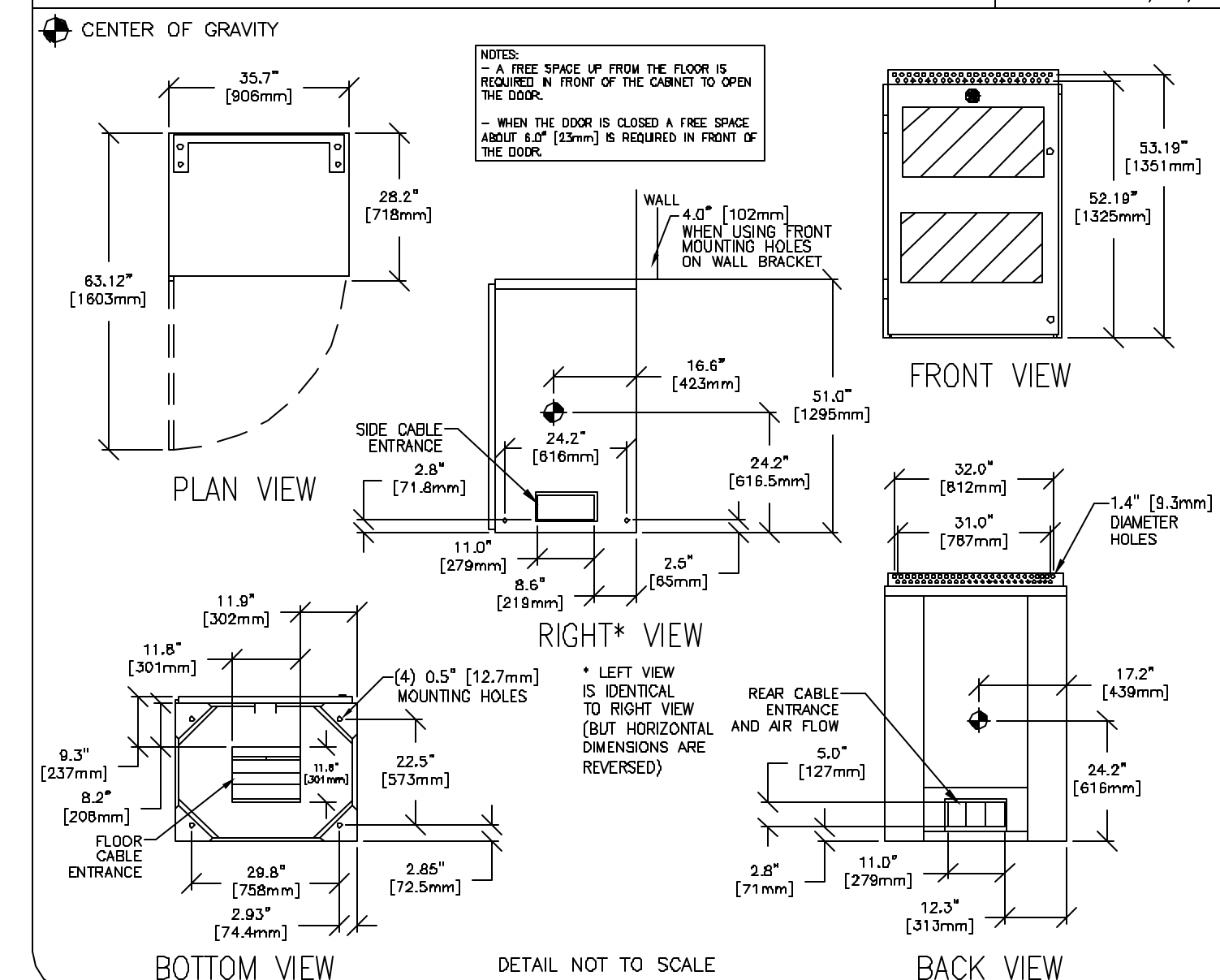


DETAIL NOT TO SCALE

EQUIPMENT DETAIL
DEFINIUM 8000 SYSTEMS CABINET

B0558E

REV. DATE: 11/11/05



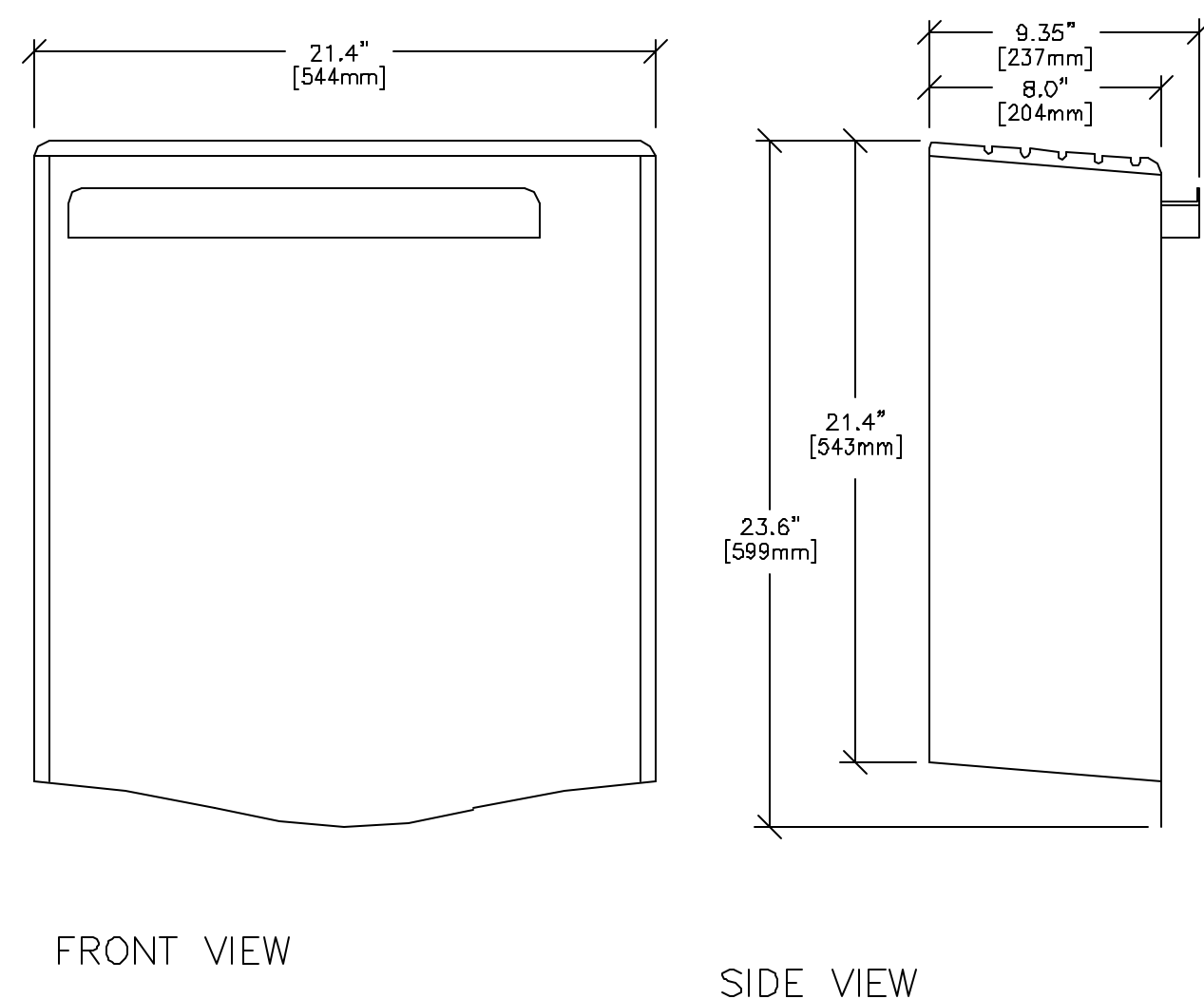
DETAIL NOT TO SCALE

EQUIPMENT DETAIL
GRID HOLDER

B05-57G

REV. DATE: 05/17/05

SHIPPING DIMENSIONS:
25\"(635mm)L x 12\"(305mm)W x 27\"(686mm)H



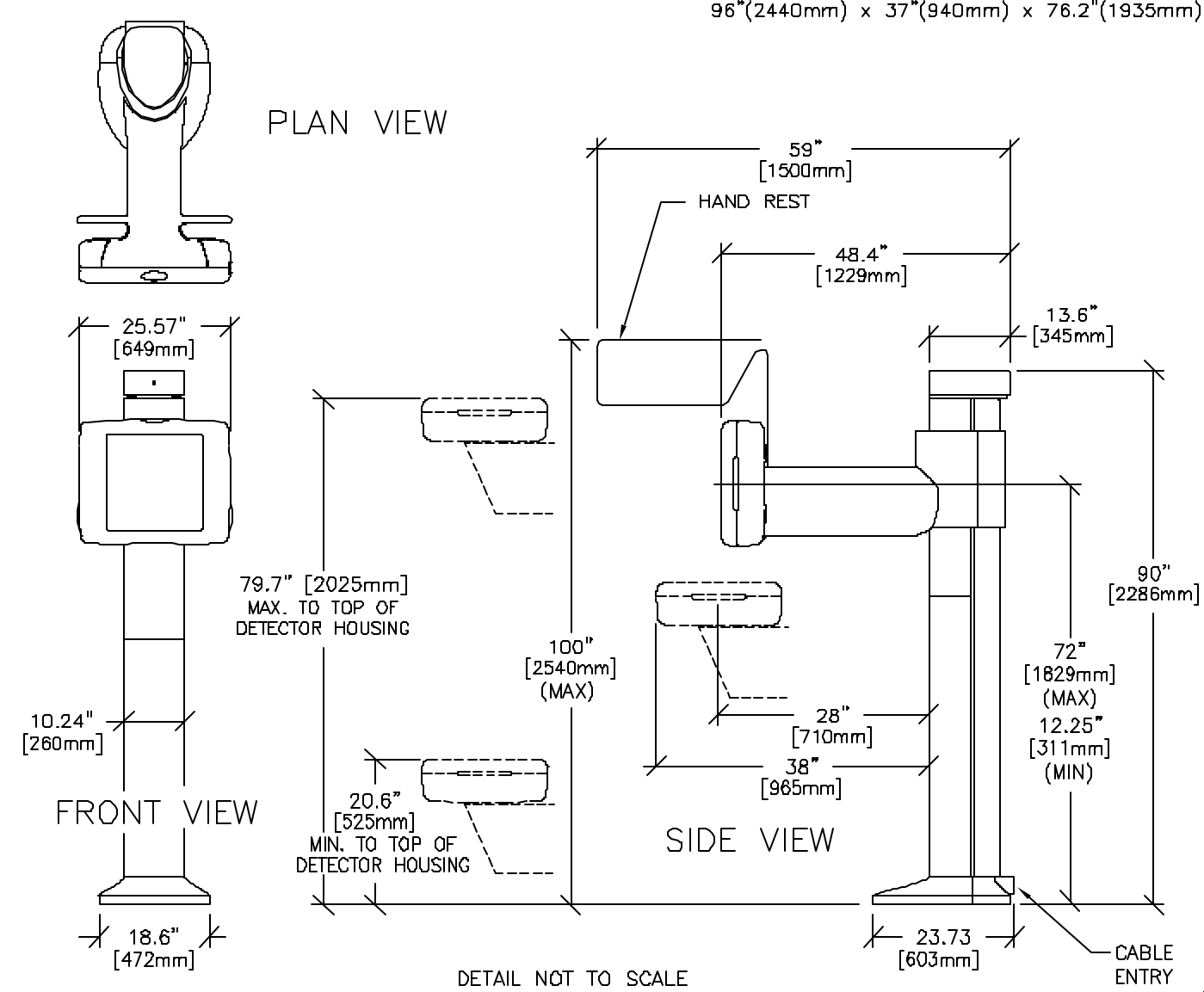
DETAIL NOT TO SCALE

EQUIPMENT DETAIL
DIGITAL CHEST READER
WITH EXTENDED RECEPTOR

B05-57J

REV. DATE: 05/17/05

SHIPPING DIMENSIONS:
98\"(2440mm) x 37\"(940mm) x 76.2\"(1935mm)



DETAIL NOT TO SCALE

GE Healthcare Technologies
Installation Services Design Center
Milwaukee, Wisconsin

SHEET TITLE: EQUIPMENT DETAILS
MODALITY TYPE: DEFINIUM 8000
THIS PLAN IS SUBMITTED TO SUGGEST LOCATION OF GE HEALTHCARE EQUIPMENT AND ASSOCIATED APPARATUS, ELECTRICAL WIRING, DETAILS AND ROOM ARRANGEMENTS. THE USER SHALL BE RESPONSIBLE FOR VERIFYING THE MODALITY IS NOT TO BE USED FOR ACTUAL EQUIPMENT PURPOSES. HOWEVER, AND THE COMPANY CANNOT ACCEPT RESPONSIBILITY FOR ANY DAMAGES RESULTING THEREFROM.

PROJECT TITLE:
**MERCY HOSPITAL
FORE RIVER
PORTLAND, MAINE**

PROJECT	REVISION
065693	00
DATE:	09-15-06
DRAWN BY:	PG
CHECKED BY:	TST
QUOTE NO:	attached
QT. DATE:	09-07-06

REVISION HISTORY:

SHEET
D1