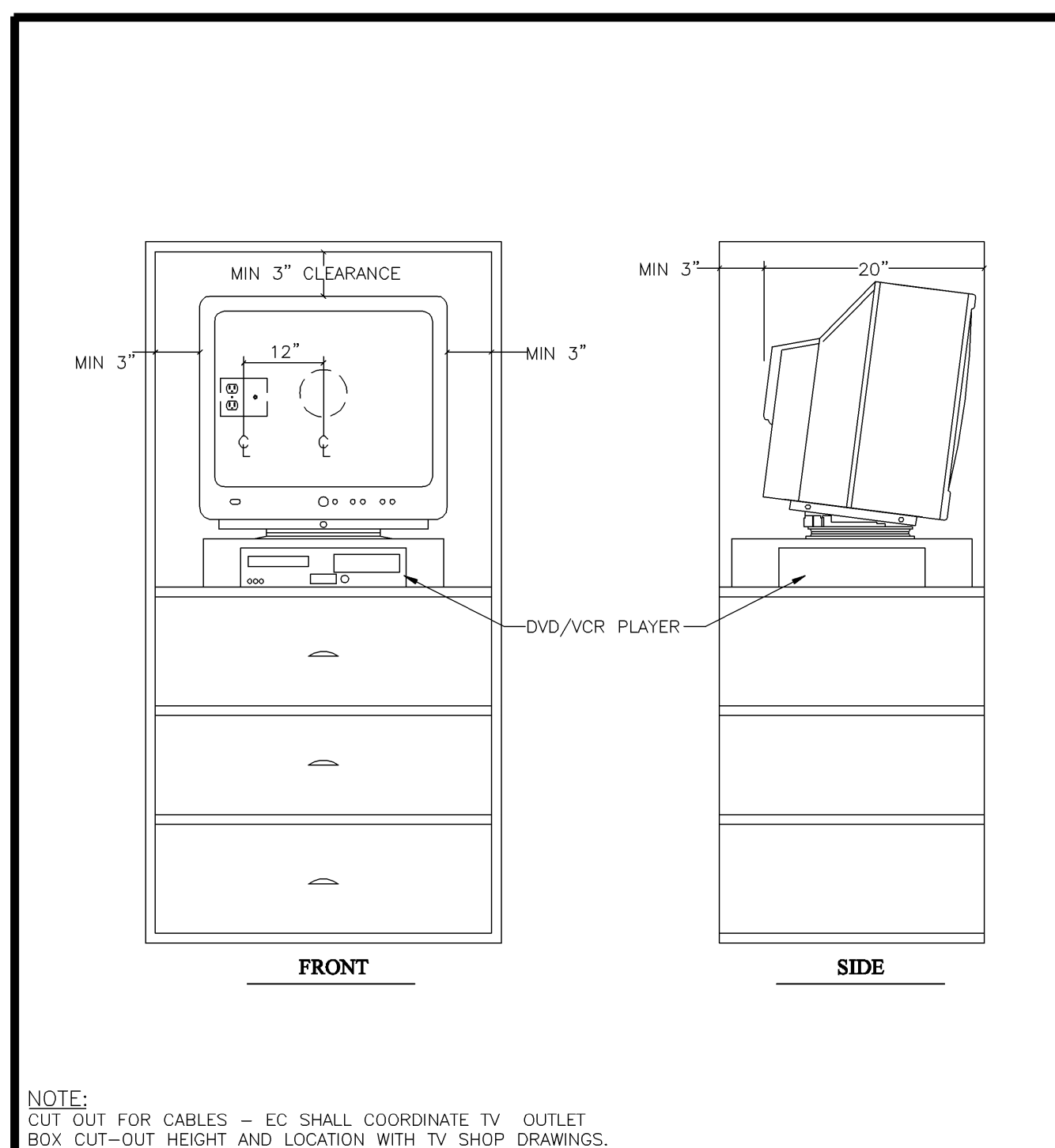
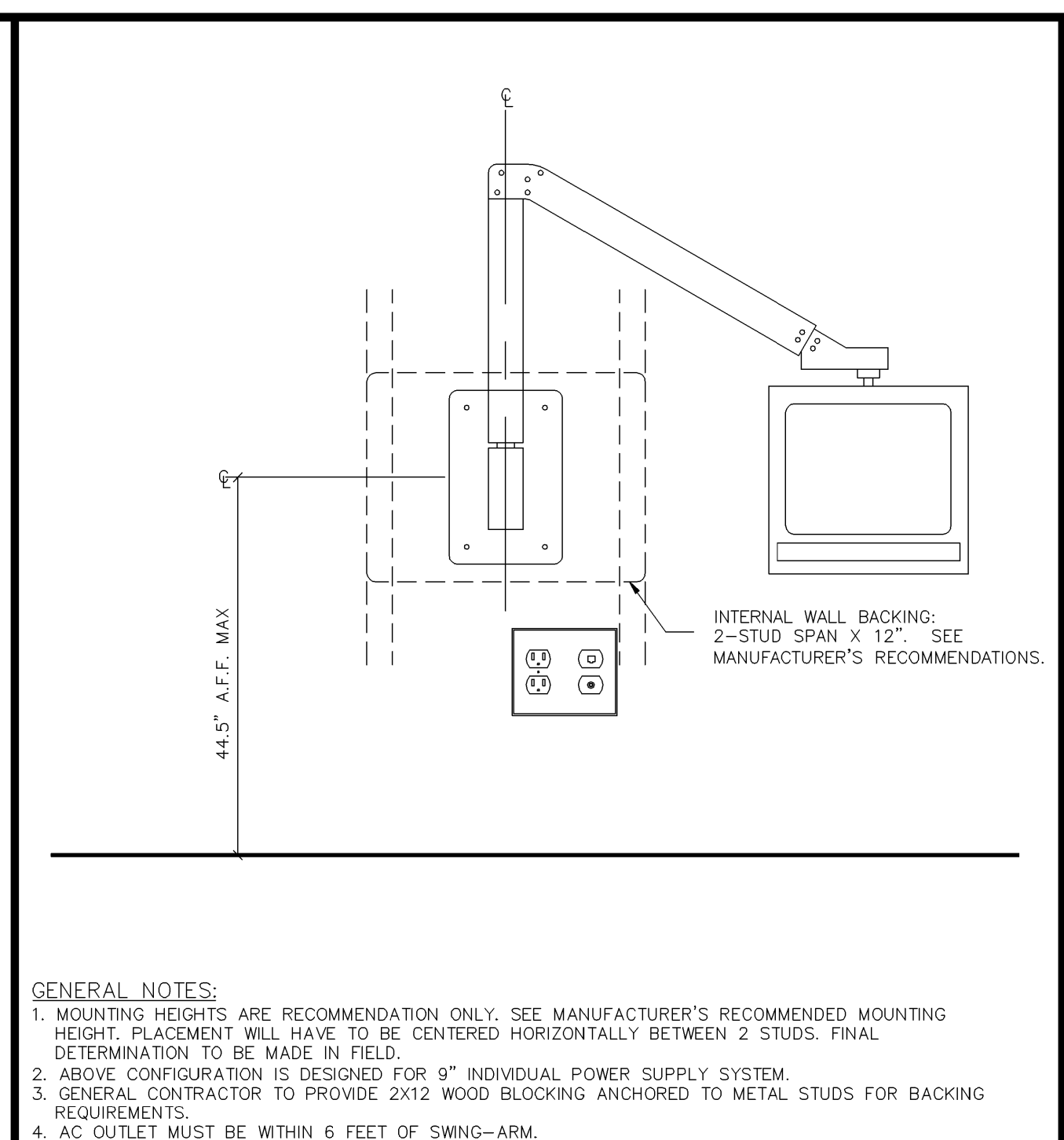


DRAWN BY: JP / AN / SB / RV / MS

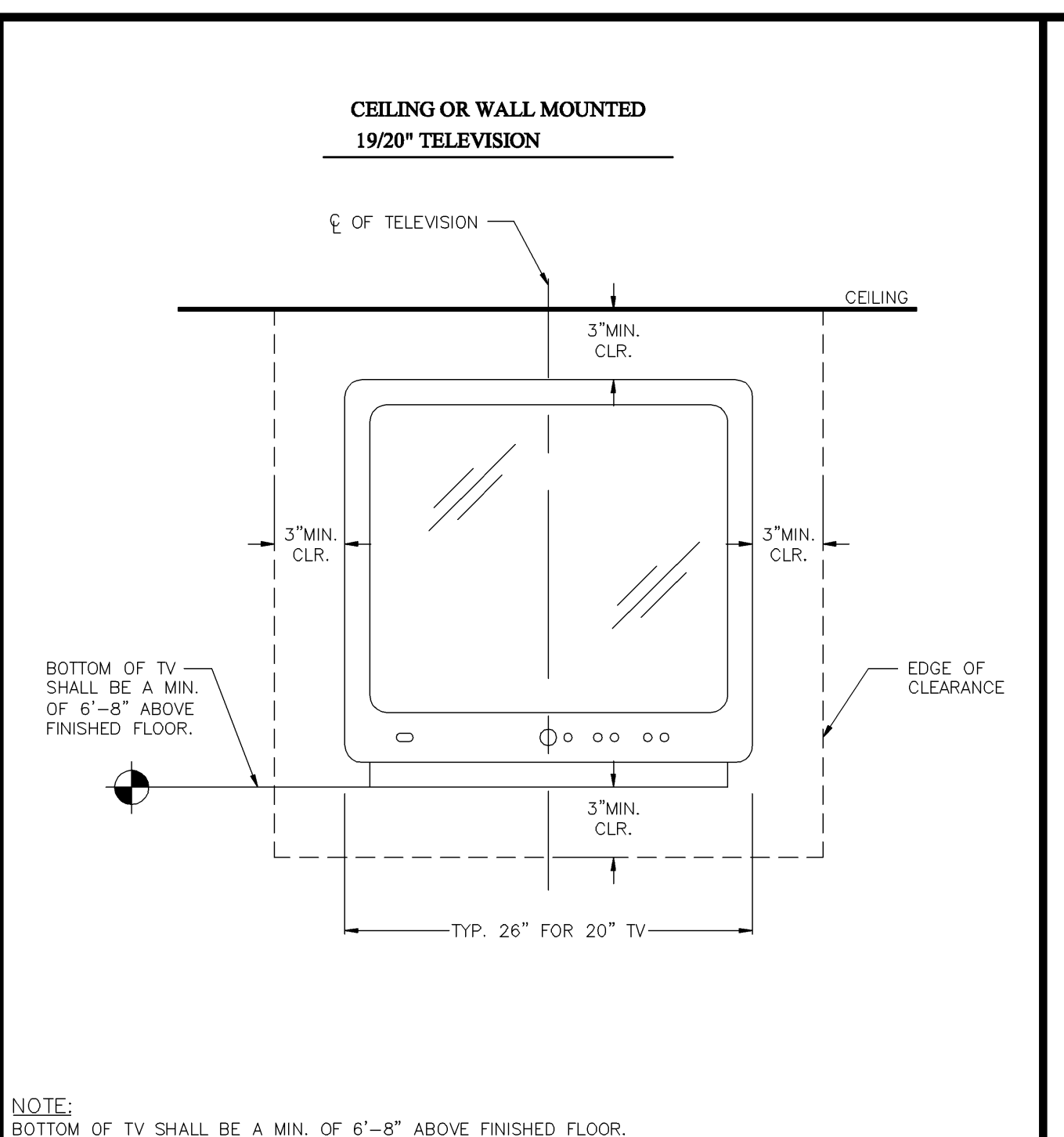
REFERENCED FLOOR PLAN BACKGROUND FILE DATE: 10/27/06
XREFS:
FILE NAME: 2-MERCY-FOR-RIVER-CAMPUS-1515COMM-L02D-TV-DETAILS.rvt
TIME: 10/27/2006 - 2:05PM



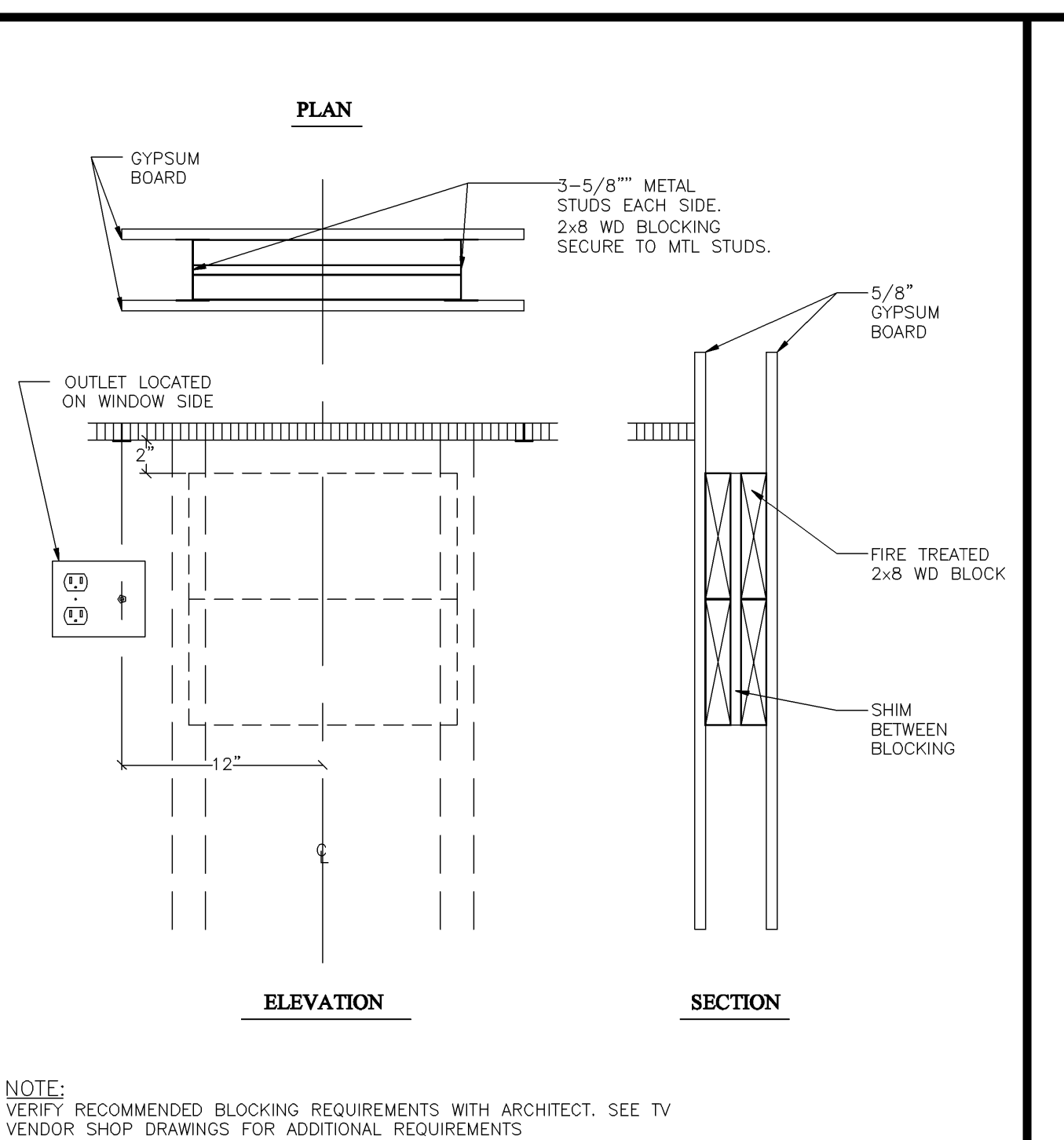
1 TYPICAL ARMOIRE / CASEWORK TELEVISION INSTALLATION



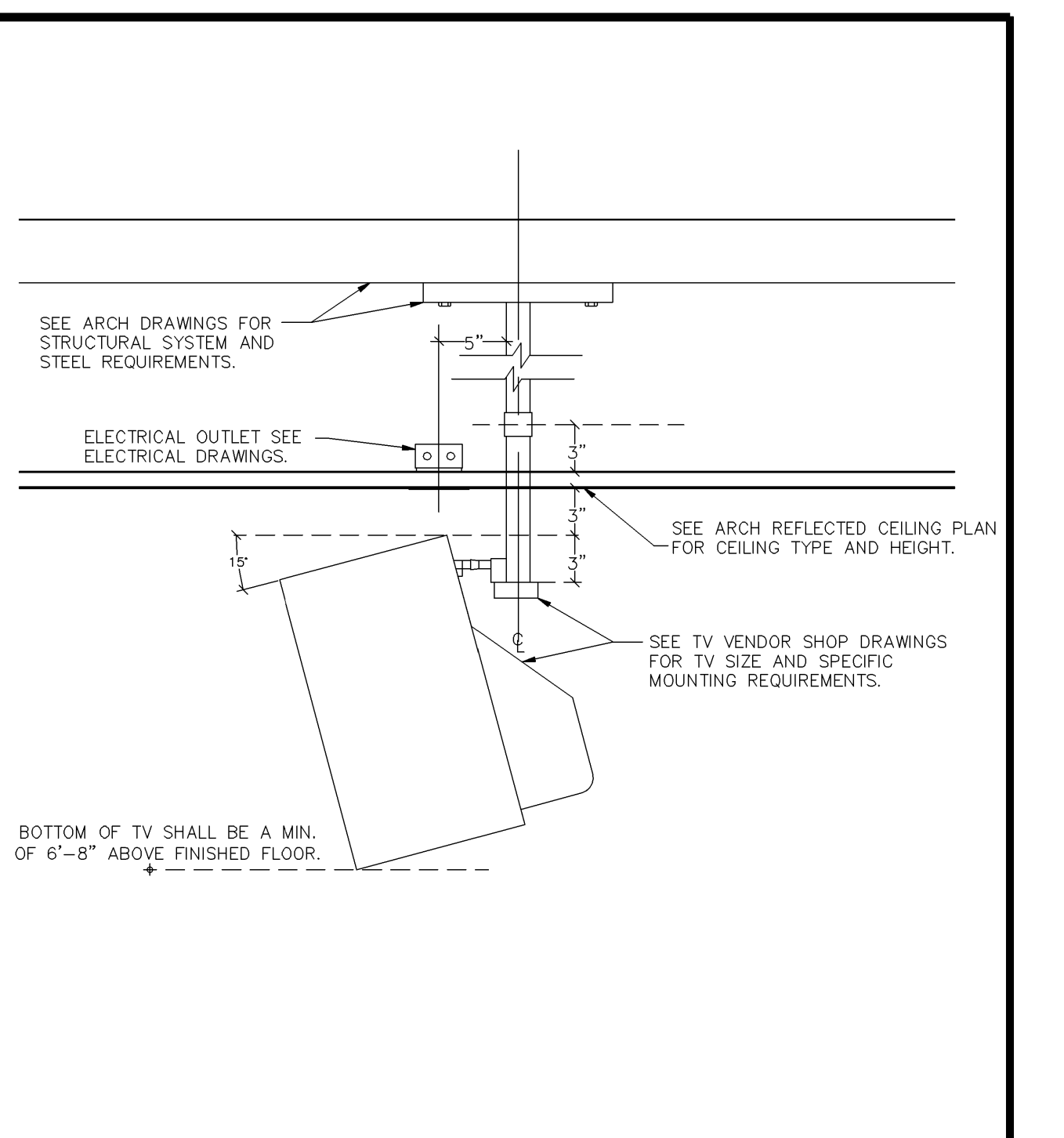
2 RECOMMENDED MOUNTING DETAIL FOR ARM MOUNTED TV



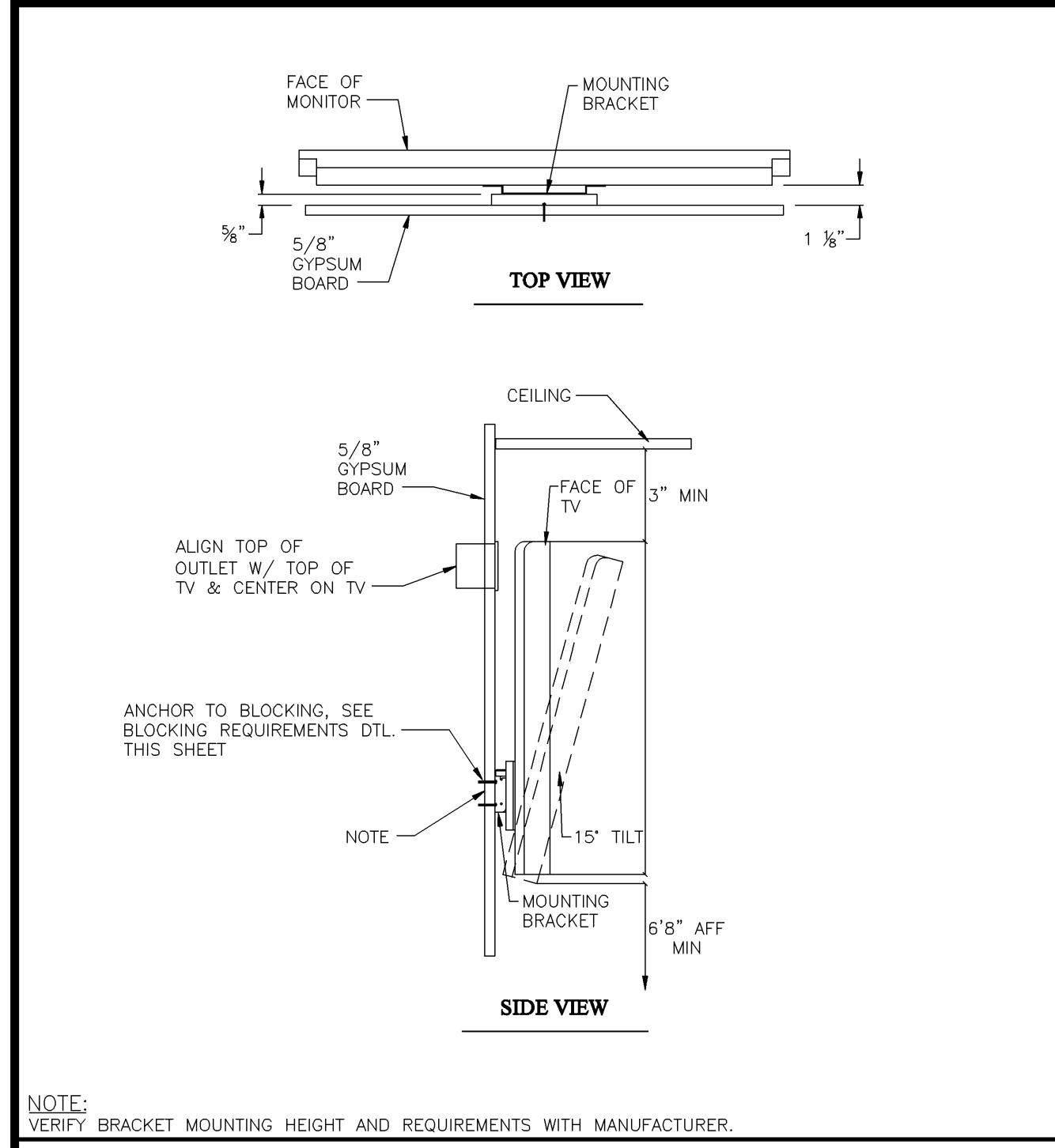
3 STANDARD CLEARANCES FOR:



4 RECOMMENDED BLOCKING REQUIREMENTS FOR:



5 STANDARD CLEARANCES FOR:



6 FLAT PANEL TV / MONITOR

NOTE:
VERIFY BRACKET MOUNTING HEIGHT AND REQUIREMENTS WITH MANUFACTURER.

GENERAL NOTES:
1. MOUNTING HEIGHTS ARE RECOMMENDATION ONLY. SEE MANUFACTURER'S RECOMMENDED MOUNTING HEIGHT. PLACEMENT WILL HAVE TO BE CENTERED HORIZONTALLY BETWEEN 2 STUDS. FINAL DETERMINATION TO BE MADE IN FIELD.
2. ABOVE CONFIGURATION IS DESIGNED FOR 9\"/>

NOTE:
BOTTOM OF TV SHALL BE A MIN. OF 6\"/>

NOTE:
VERIFY RECOMMENDED BLOCKING REQUIREMENTS WITH ARCHITECT. SEE TV VENDOR SHOP DRAWINGS FOR ADDITIONAL REQUIREMENTS.

NOTE:
VERIFY RECOMMENDED BLOCKING REQUIREMENTS WITH ARCHITECT. SEE TV VENDOR SHOP DRAWINGS FOR ADDITIONAL REQUIREMENTS.