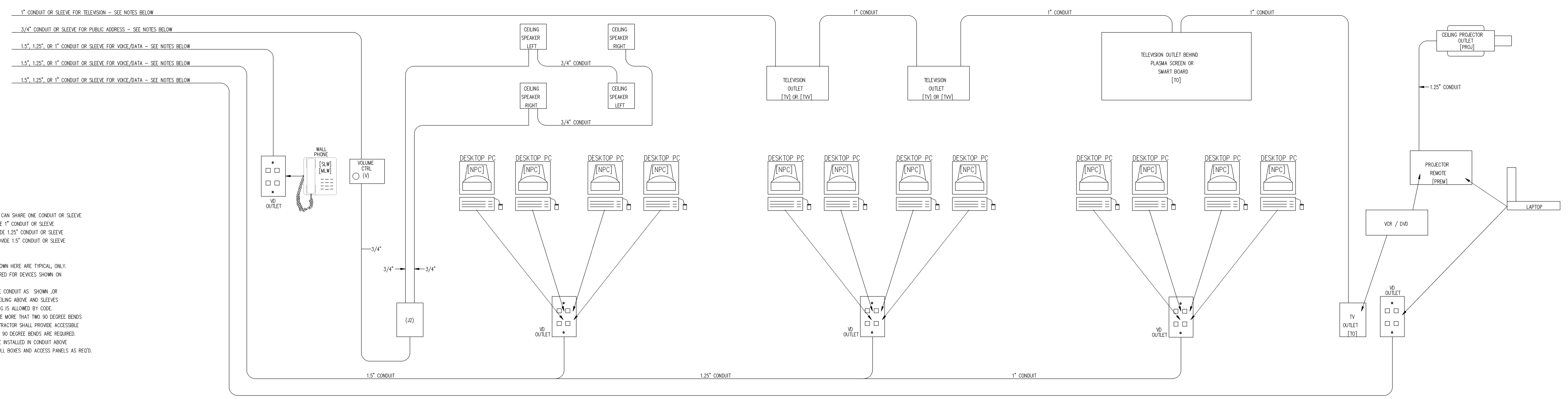
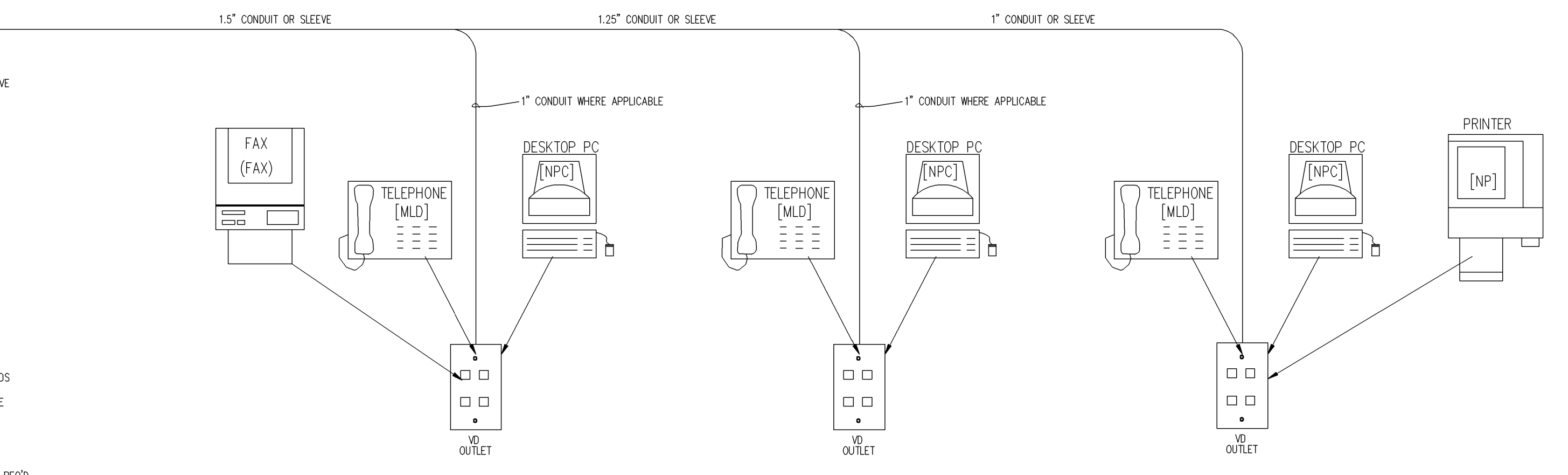


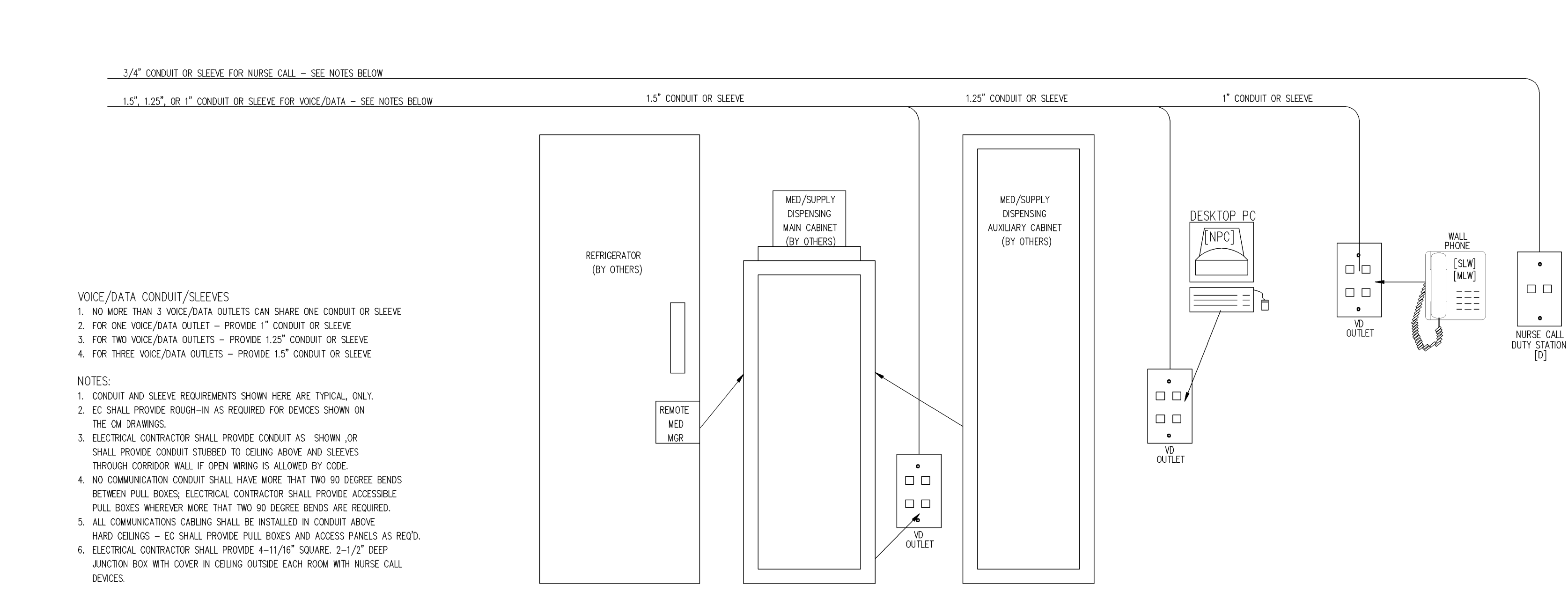
FOR REFERENCE ONLY - NOT ALL DEVICES MAY BE REQUIRED FOR THE PROJECT



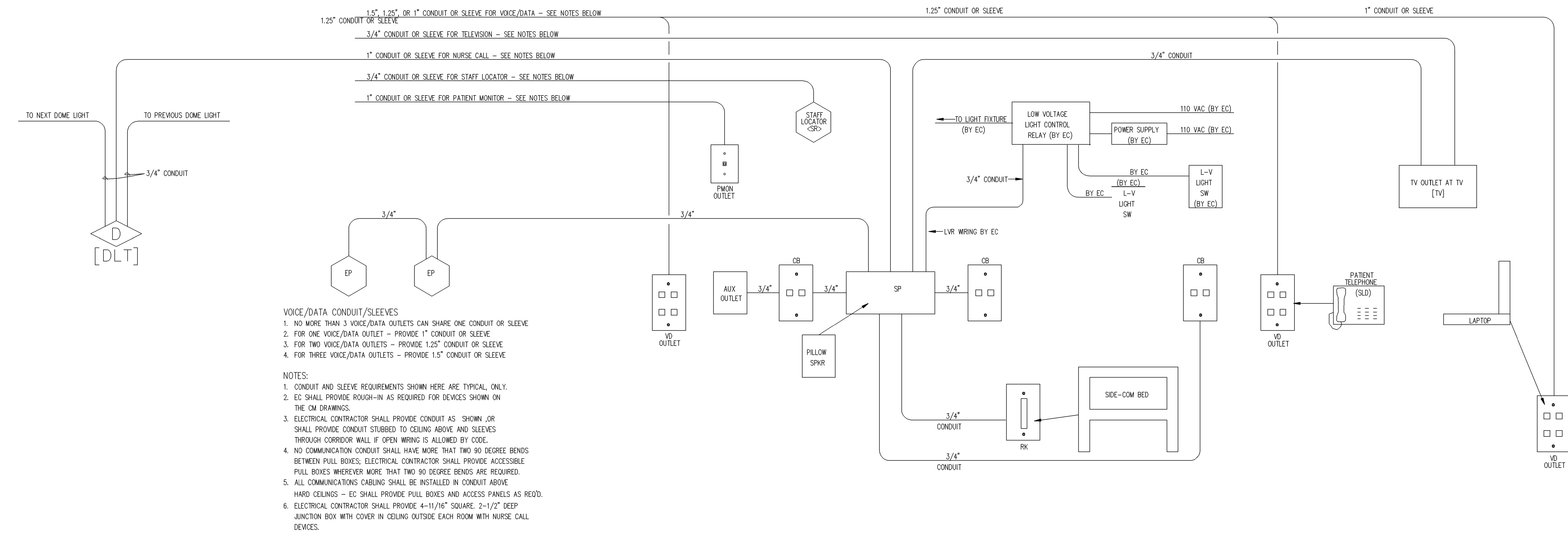
TYPICAL CONFERENCE / CLASSROOM / BOARD ROOM / EXERCISE ROOM COMMUNICATIONS CONDUIT/SLEEVE SCHEMATIC REQUIREMENTS



TYPICAL OFFICE / WORKSTATION COMMUNICATIONS CONDUIT/SLEEVE SCHEMATIC REQUIREMENTS



TYPICAL MEDS / UTILITY ROOM COMMUNICATIONS CONDUIT/SLEEVE SCHEMATIC REQUIREMENTS



TYPICAL PATIENT ROOM COMMUNICATIONS CONDUIT/SLEEVE SCHEMATIC REQUIREMENTS

DRAWN BY: JP / AN / SB / RV / MS

REFERENCED FLOOR PLAN BACKGROUND FILE DATE: 10/27/06
XREFS:
FILE NAME: 2-MERCY-FOR-RIVER-CAMPUS-15-15-COMMUNICATIONS-CONDUIT.DWG
TIME: 03/07/2006 - 2:08PM