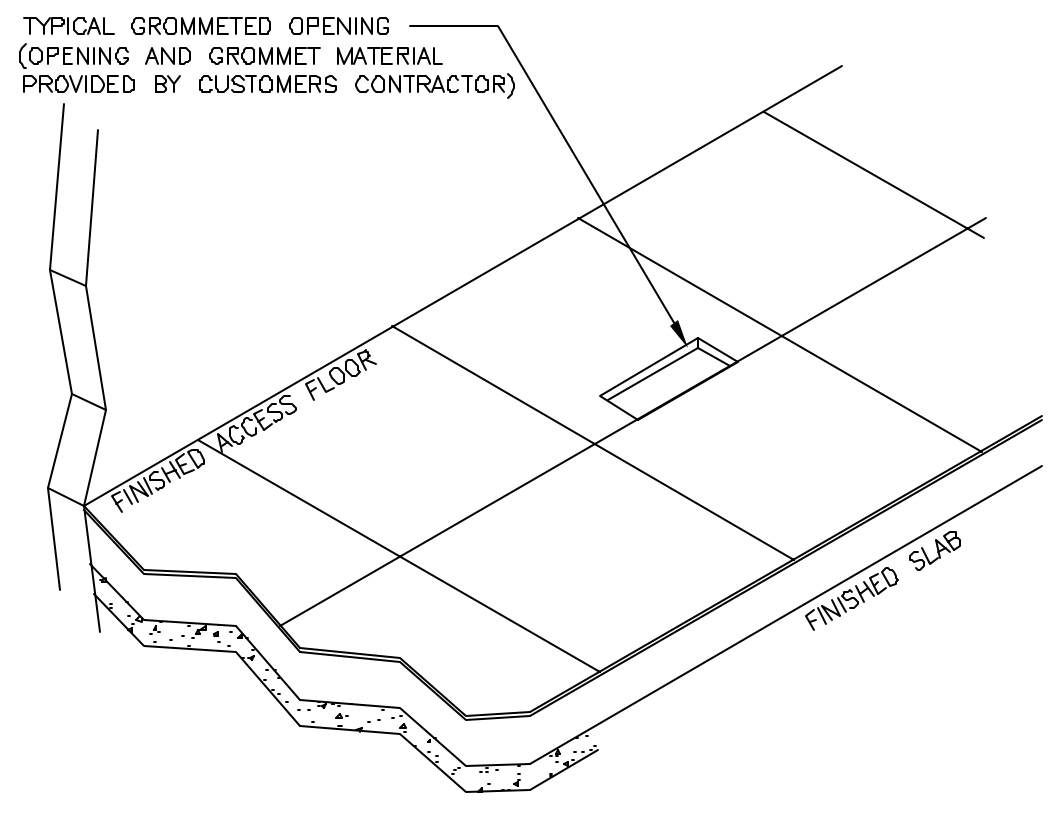


**ELECTRICAL DETAIL**  
GROMMETED OPENING – ACCESS FLOORING (TYPICAL) **ELEC-10**

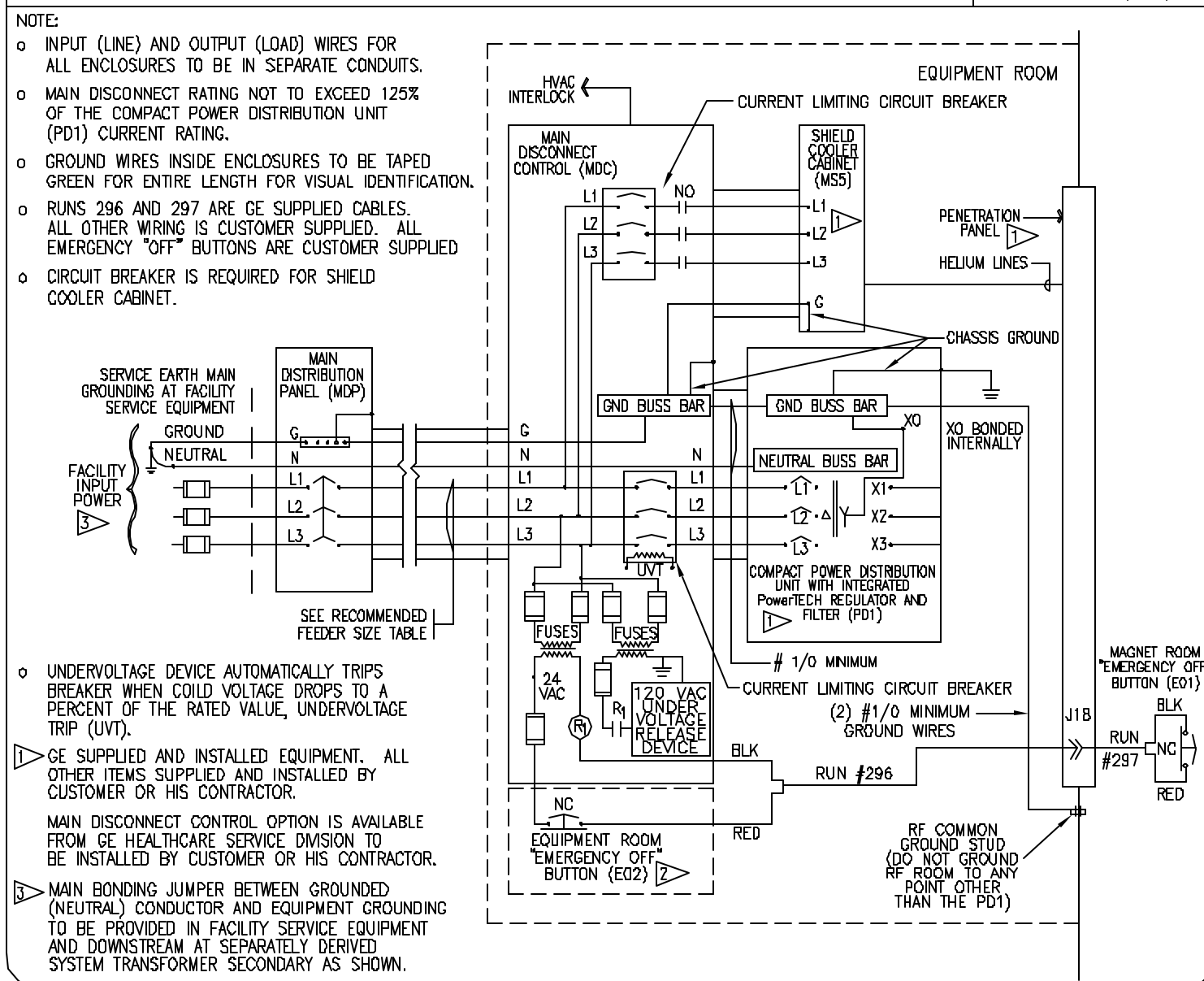
REV. DATE: 04/21/05



DETAIL NOT TO SCALE

**ELECTRICAL DETAIL**  
PROTECTIVE DISCONNECT SETUP **ELEC-139**

REV. DATE: 08/22/05



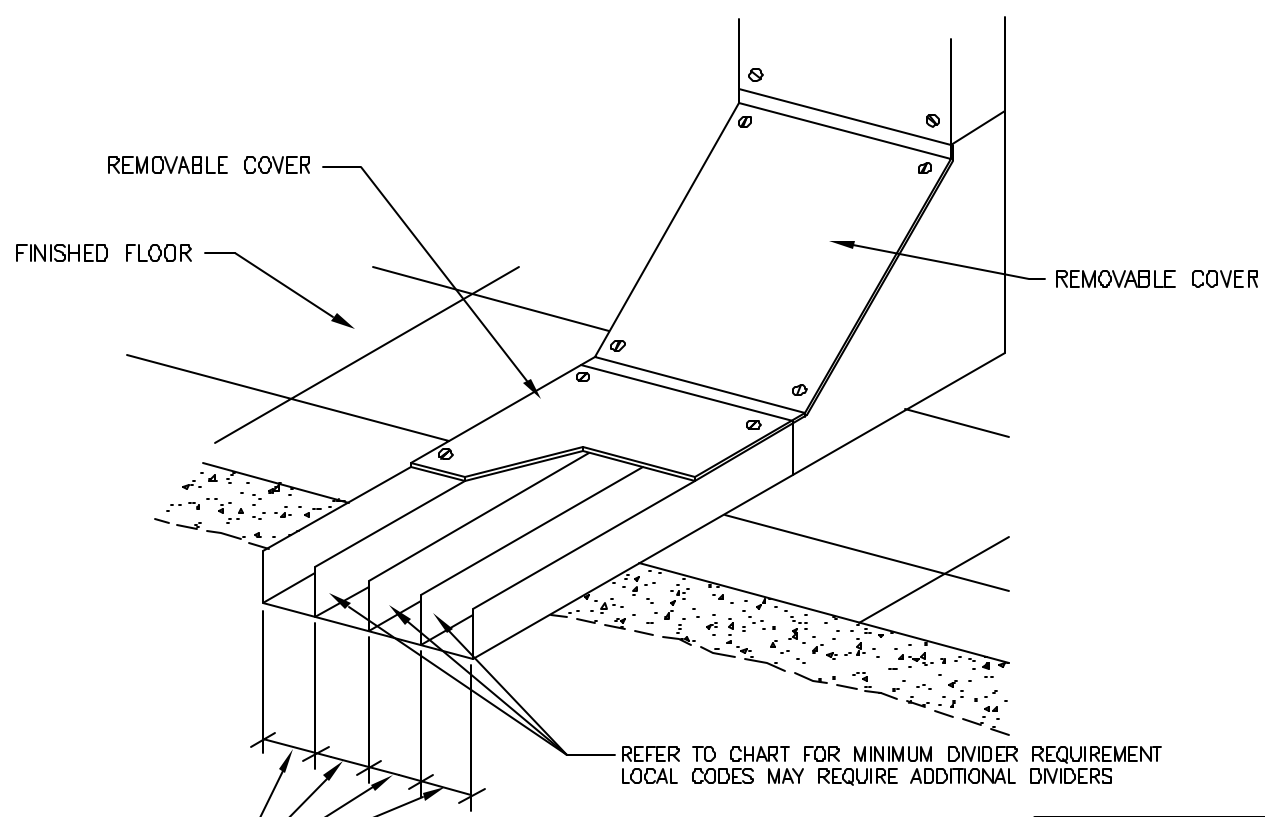
NOTE:  
 ○ INPUT (LINE) AND OUTPUT (LOAD) WIRES FOR ALL ENCLOSURES TO BE IN SEPARATE CONDUITS.  
 ○ MAIN DISCONNECT RATINGS NOT TO EXCEED 125% OF THE COMPACT POWER DISTRIBUTION UNIT (PDU) CURRENT RATING.  
 ○ GROUND WIRES INSIDE ENCLOSURES TO BE TAPED GREEN FOR ENTIRE LENGTH FOR VISUAL IDENTIFICATION.  
 ○ RUNS 286 AND 297 ARE CE SUPPLIED CABLES. ALL OTHER WIRING IS CUSTOMER SUPPLIED. ALL EMERGENCY "OFF" BUTTONS ARE CUSTOMER SUPPLIED.  
 ○ CIRCUIT BREAKER IS REQUIRED FOR SHIELD COOLER CABINET.  
 ○ UNDERVOLTAGE DEVICE AUTOMATICALLY TRIPS BREAKER WHEN COLD VOLTAGE DROPS TO A PERCENT OF THE RATED VALUE, UNDERVOLTAGE TRIP (UVI).  
 ○ GE SUPPLIED AND INSTALLED EQUIPMENT. ALL OTHER ITEMS SUPPLIED AND INSTALLED BY CUSTOMER OR HIS CONTRACTOR.  
 ○ MAIN DISCONNECT CONTROL OPTION IS AVAILABLE FROM GE HEALTHCARE SERVICE DIVISION TO BE INSTALLED BY CUSTOMER OR HIS CONTRACTOR.  
 ○ MAIN BONDING JUMPER BETWEEN GROUNDED (NEUTRAL) CONDUCTOR AND EQUIPMENT GROUNDING TO BE PROVIDED IN FACILITY SERVICE EQUIPMENT AND DOWNSTREAM AT SEPARATELY DERIVED SYSTEM TRANSFORMER SECONDARY AS SHOWN.

DUCT WIDTH	MINIMUM DIVIDERS REQUIRED
24" [610mm]	2
18" [457mm]	2
10" [254mm]	2
6" [152mm]	1
4" [102mm]	1

DETAIL NOT TO SCALE

**ELECTRICAL DETAIL**  
SURFACE FLOOR DUCT (TYPICAL) **ELEC-14**

REV. DATE: 4/02/04

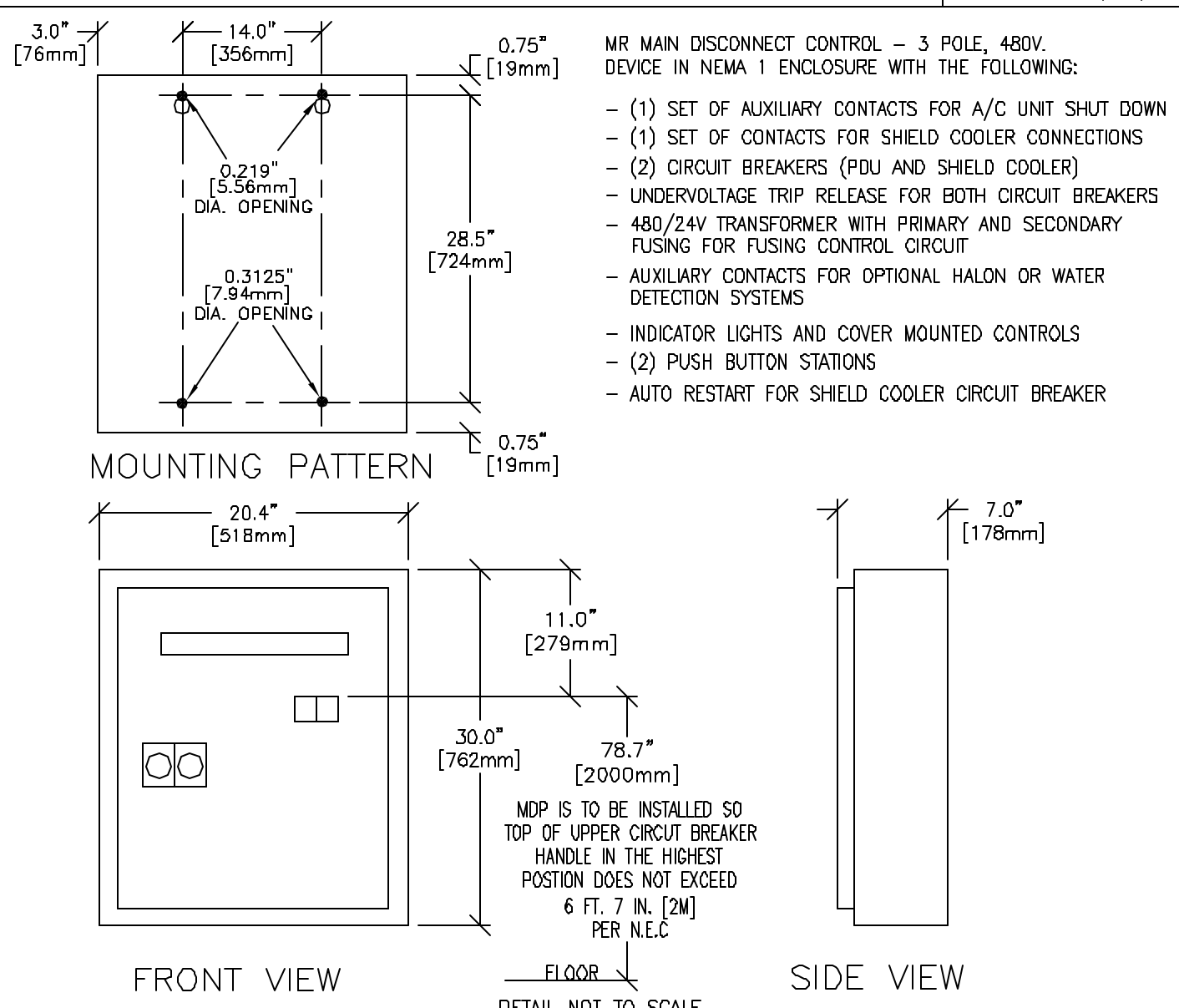


DUCT WIDTH	MINIMUM DIVIDERS REQUIRED
24" [610mm]	2
18" [457mm]	2
10" [254mm]	2
6" [152mm]	1
4" [102mm]	1

DETAIL NOT TO SCALE

**ELECTRICAL DETAIL**  
MAIN DISCONNECT CONTROL **ELEC-57**

REV. DATE: 08/22/05



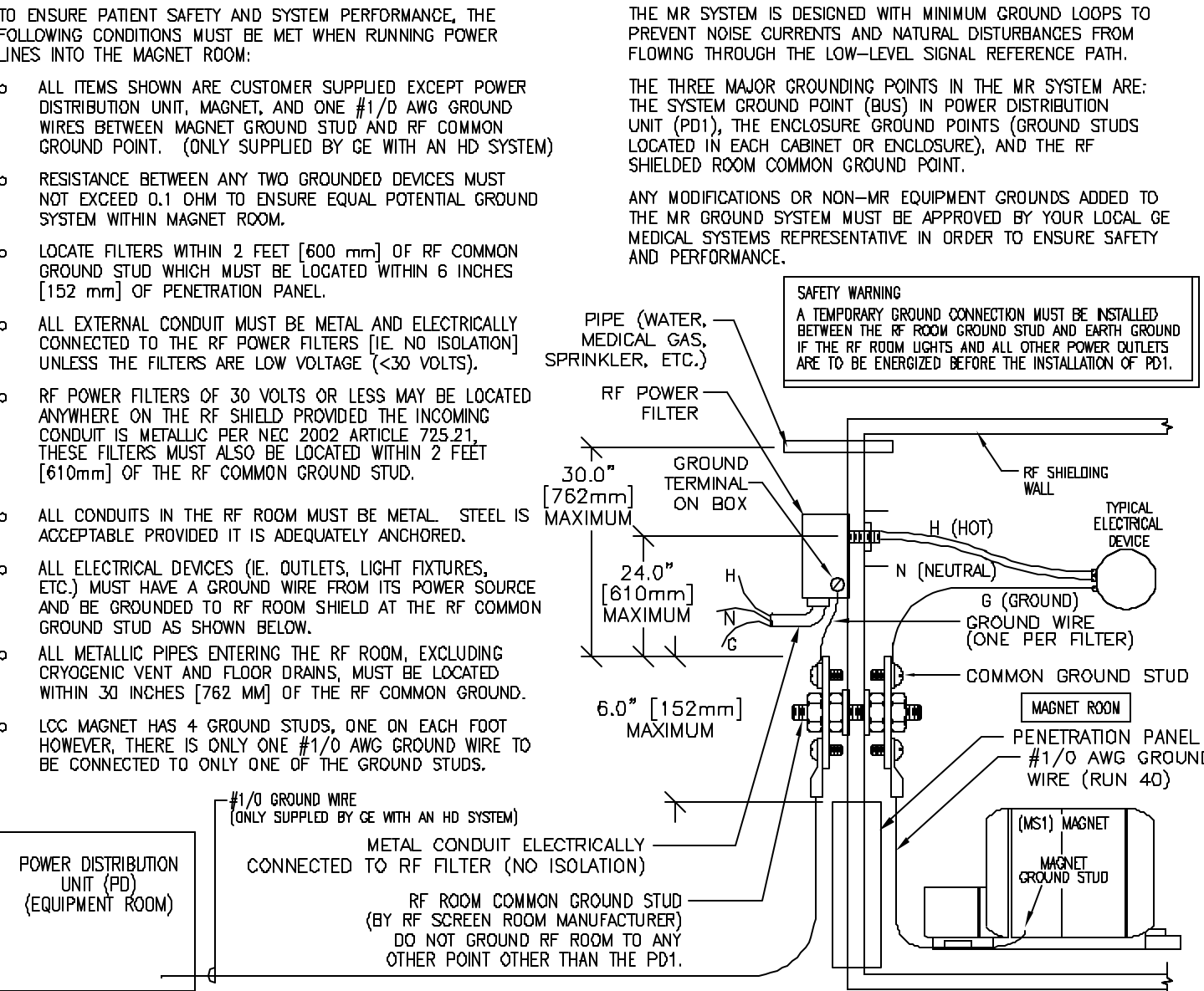
FRONT VIEW

SIDE VIEW

DETAIL NOT TO SCALE

**ELECTRICAL DETAIL**  
TYPICAL MAGNET ROOM GROUNDING **ELEC-140**

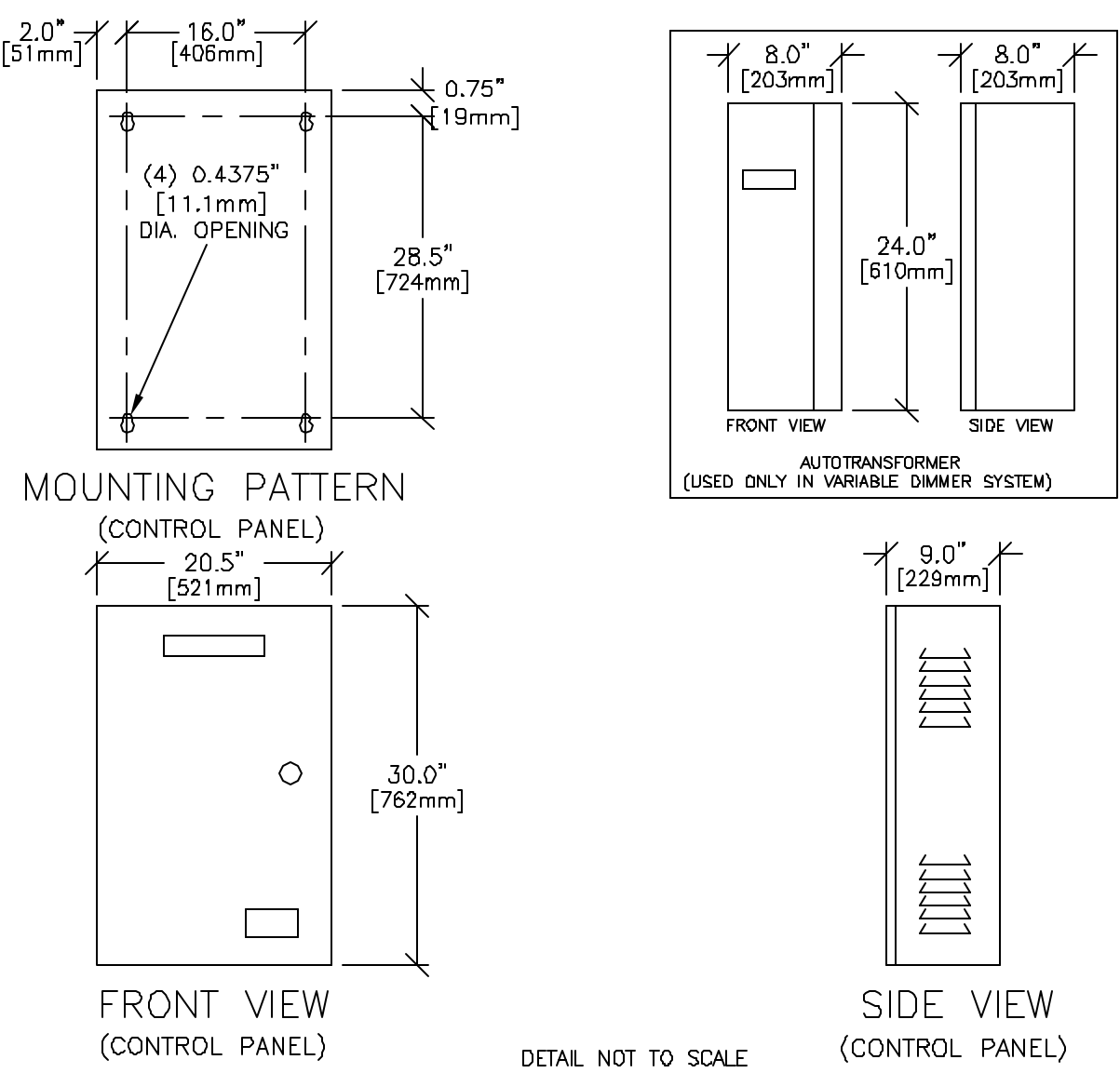
REV. DATE: 08/23/05



DETAIL NOT TO SCALE

**ELECTRICAL DETAIL**  
DC LIGHTING CONTROLLER **ELEC-51**

REV. DATE: 08/22/05



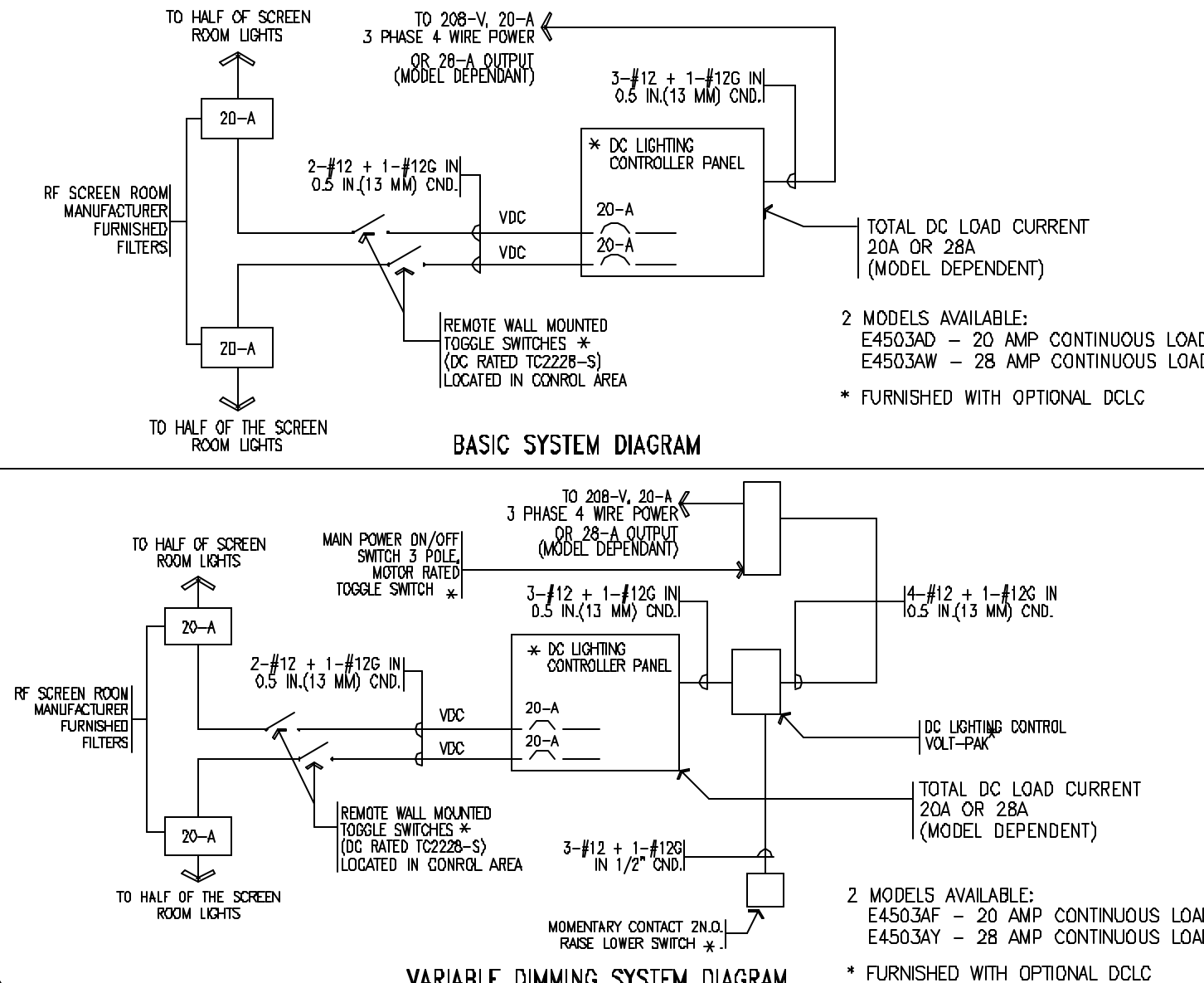
FRONT VIEW

SIDE VIEW

DETAIL NOT TO SCALE

**ELECTRICAL DETAIL**  
DC LIGHTING CONTROLLER SYSTEM DIAGRAM **ELEC-54**

REV. DATE: 08/22/05



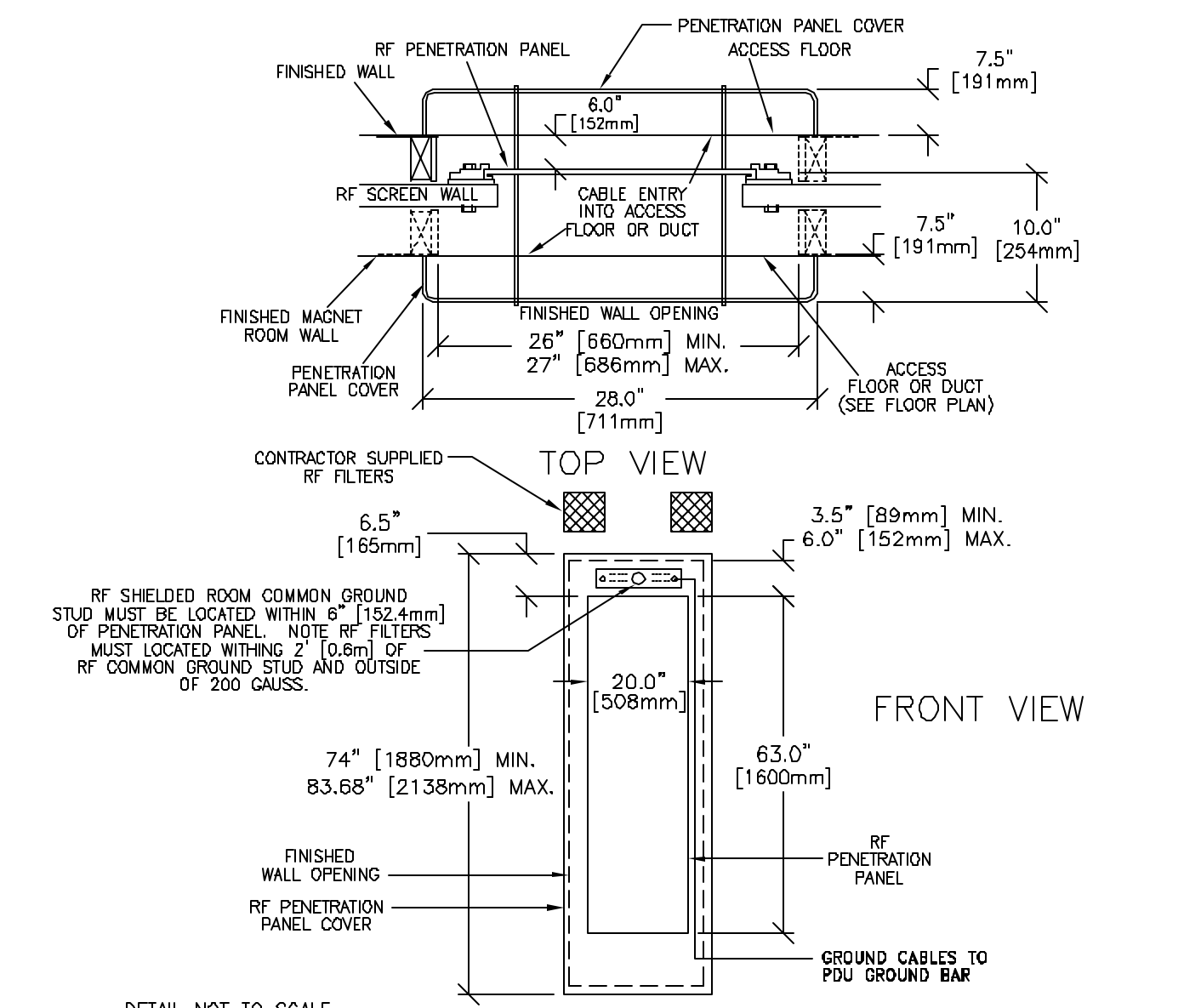
BASIC SYSTEM DIAGRAM

VARIABLE DIMMING SYSTEM DIAGRAM

DETAIL NOT TO SCALE

**ELECTRICAL DETAIL**  
PENETRATION PANEL COVER MOUNTING REQUIREMENTS **ELEC-52**

REV. DATE: 03/01/96

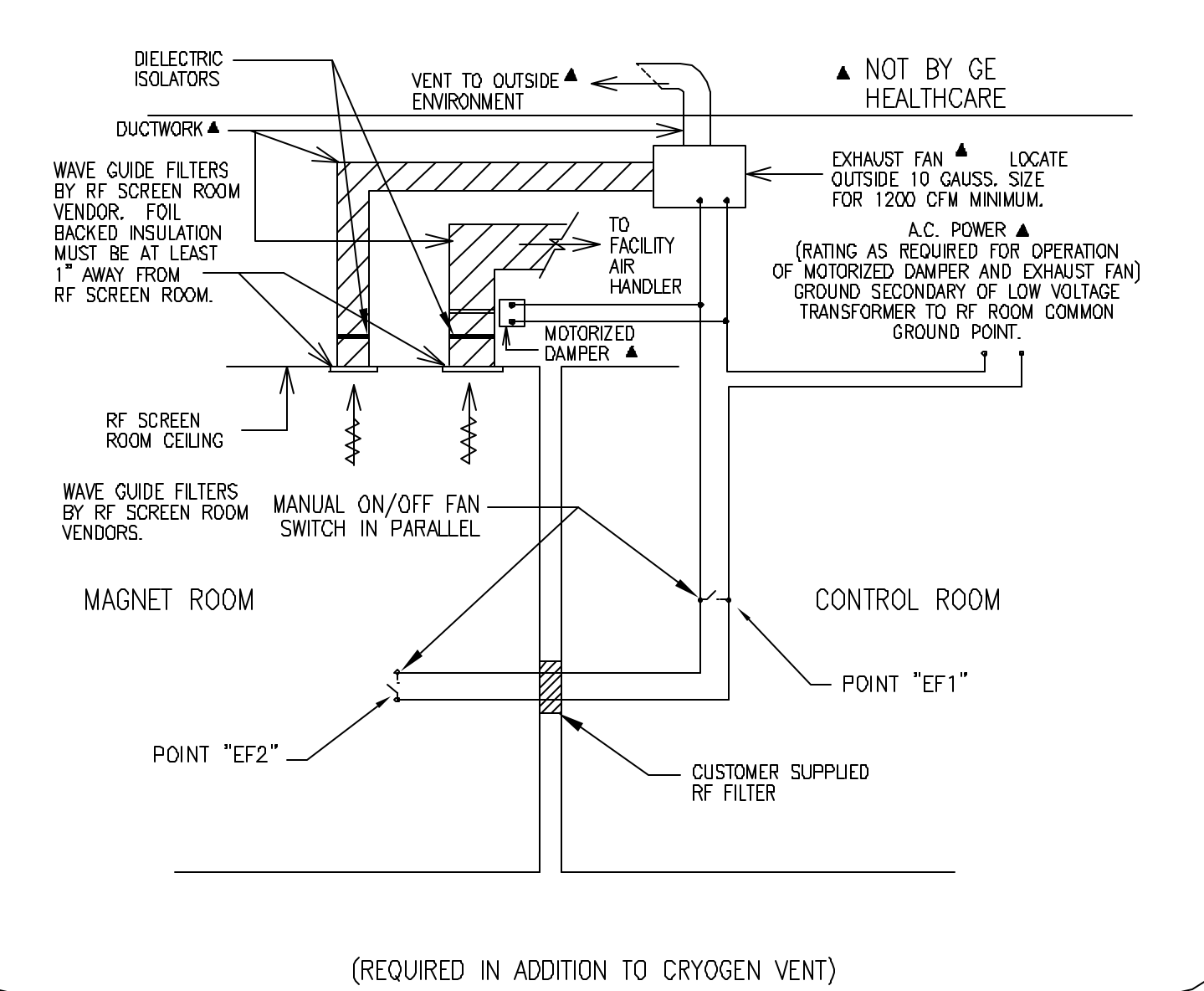


FRONT VIEW

DETAIL NOT TO SCALE

**ELECTRICAL DETAIL**  
TYPICAL RF SCREEN ROOM EXHAUST FAN SET-UP **ELEC-55**

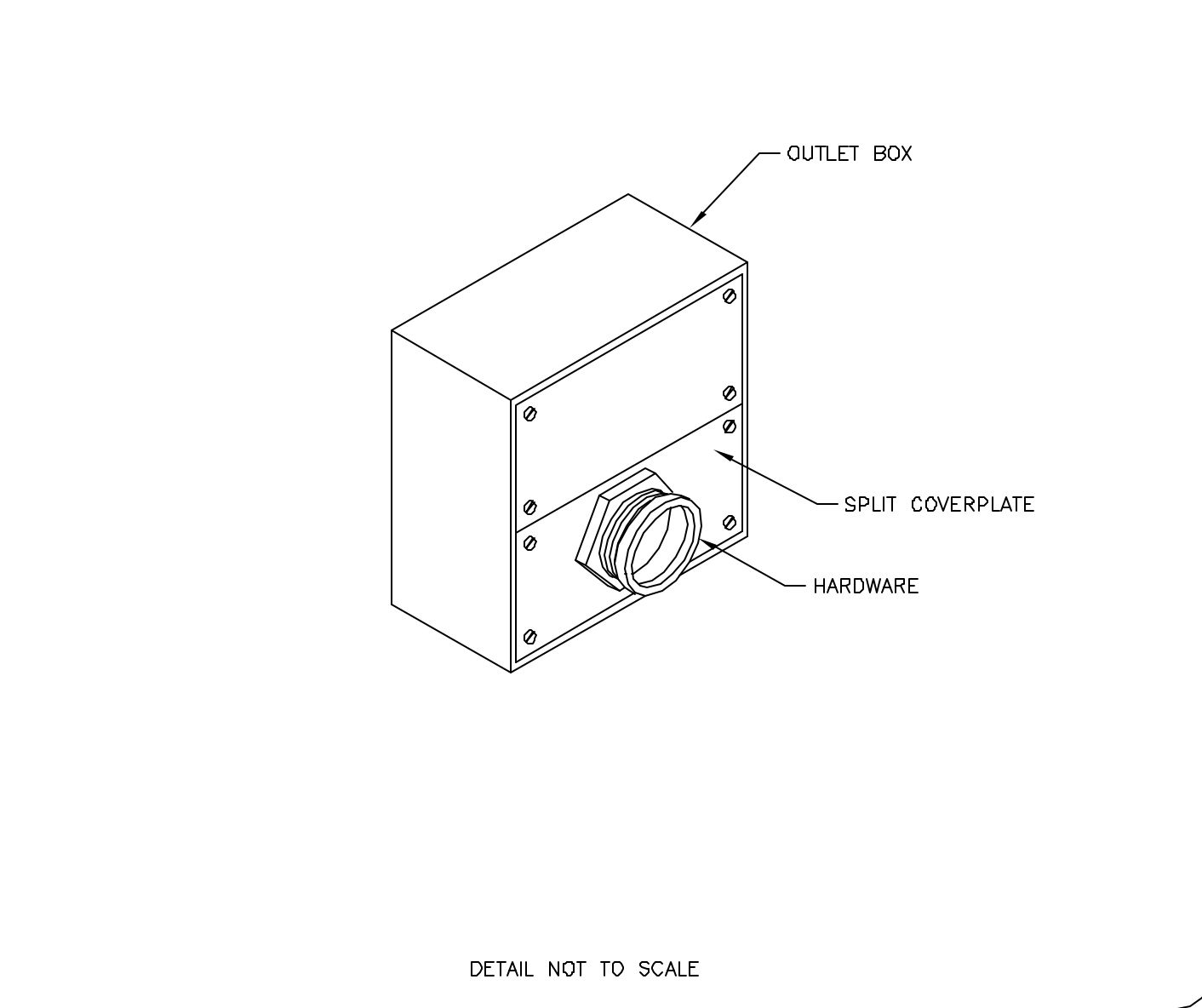
REV. DATE: 03/18/05



DETAIL NOT TO SCALE

**ELECTRICAL DETAIL**  
BOX WITH SPLIT COVERPLATE (TYPICAL) **ELEC-7**

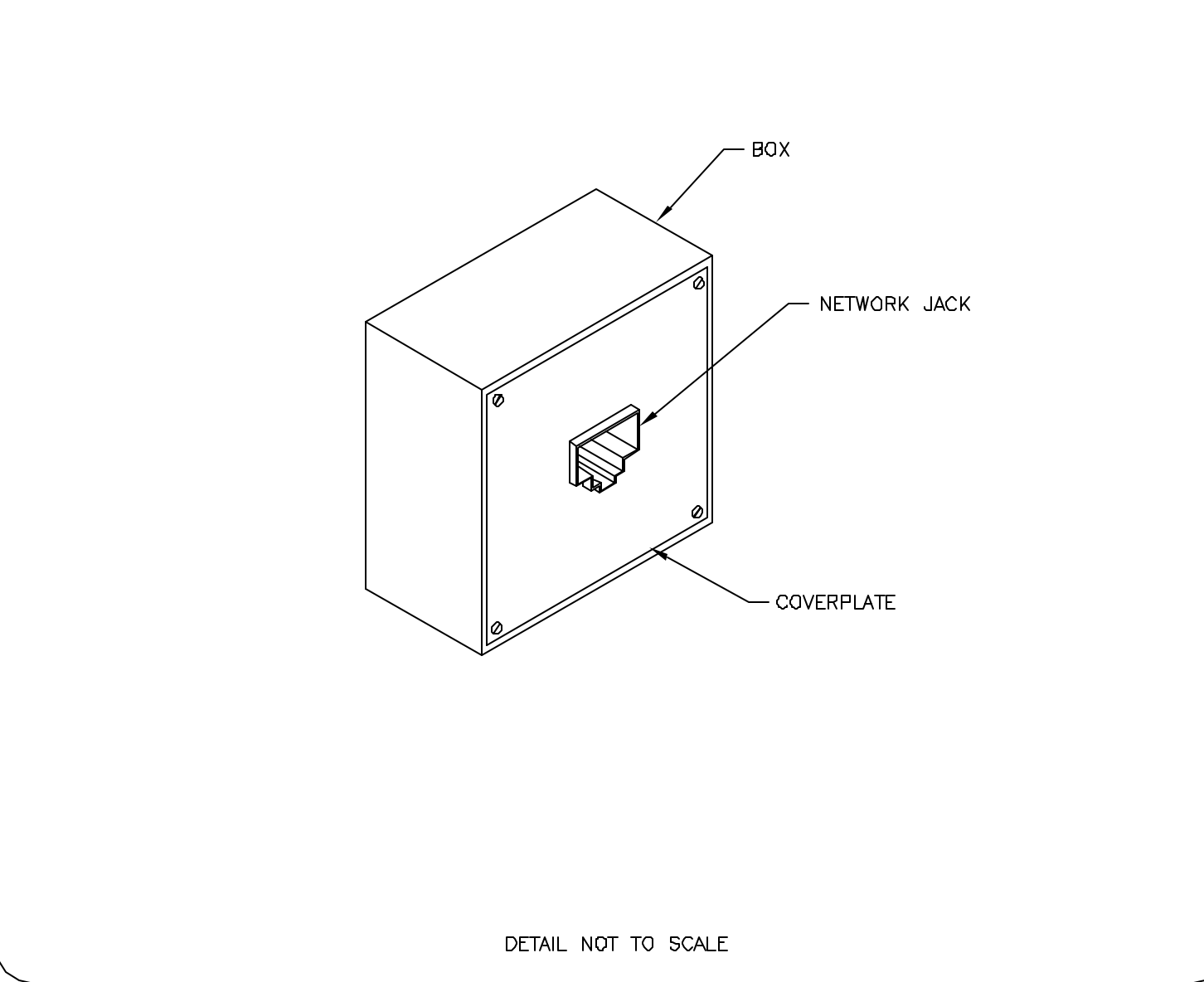
REV. DATE: 09/30/94



DETAIL NOT TO SCALE

**ELECTRICAL DETAIL**  
BOX WITH COVERPLATE AND NETWORK JACK **ELEC-83**

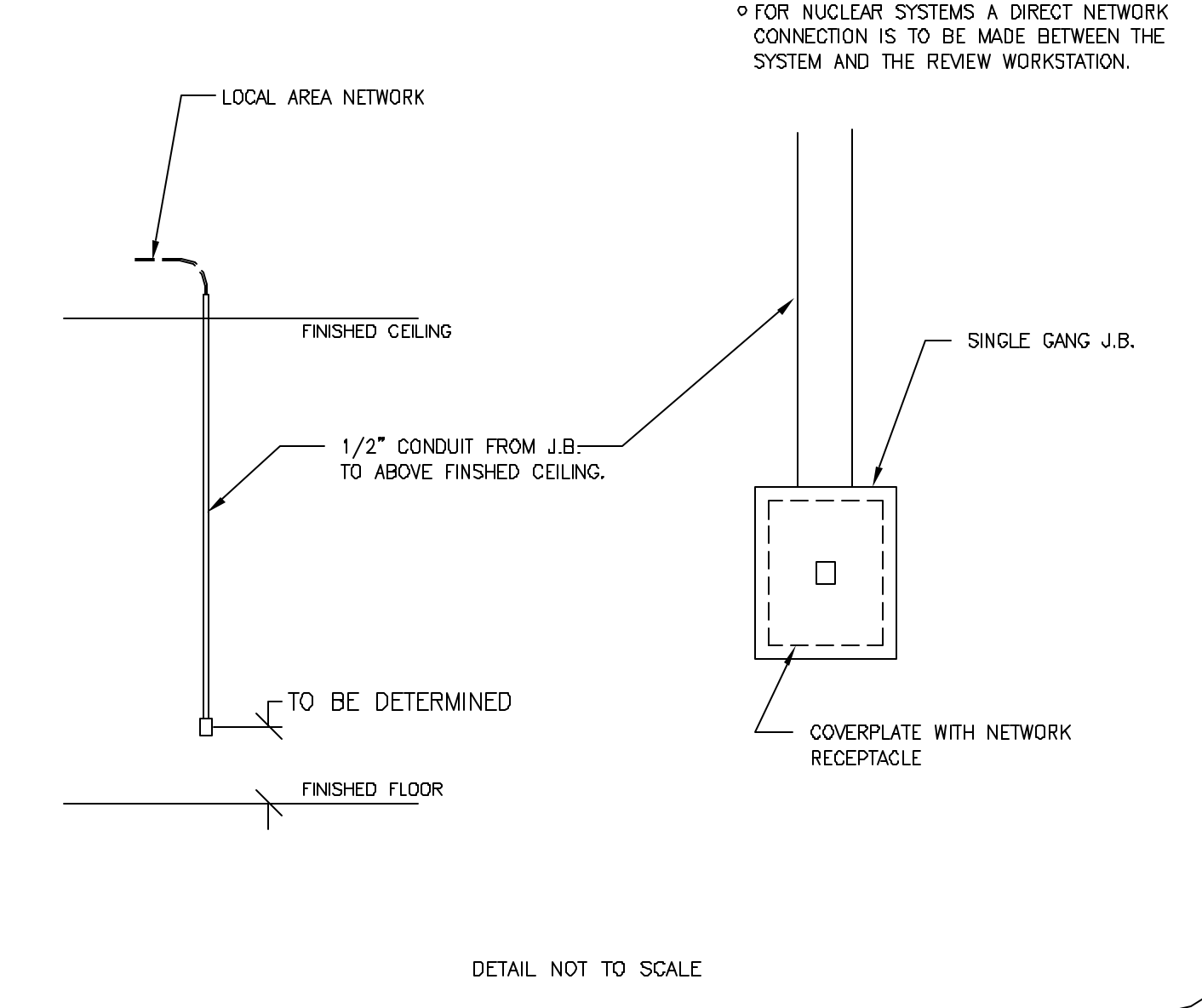
REV. DATE: 10/06/98



DETAIL NOT TO SCALE

**ELECTRICAL DETAIL**  
NETWORK CONNECTION (TYPICAL) **ELEC-84**

REV. DATE: 03/06/04



DETAIL NOT TO SCALE

**GE Healthcare Technologies**  
Installation Services Design Center  
Milwaukee, Wisconsin

SHEET TITLE: ELECTRICAL DETAILS  
MODALITY TYPE: 1.5T SIGNA HDX

THIS PLAN IS SUBMITTED TO SUGGEST LOCATION OF GE HEALTHCARE EQUIPMENT AND ASSOCIATED APPLIANCE, ELECTRICAL WIRING DETAILS AND ROOM ARRANGEMENTS. IN PREPARING THIS PLAN, EVERY EFFORT HAS BEEN MADE TO CONFORM TO ALL APPLICABLE CODES AND REGULATIONS. HOWEVER, THE USER MUST VERIFY ALL ACTUAL CONSTRUCTION PURPOSES, DIMENSIONS, AND THE COMPANY CANNOT ACCEPT RESPONSIBILITY FOR ANY DAMAGES RESULTING THEREFROM.

PROJECT TITLE:  
**MERCY HOSPITAL  
FORE RIVER  
PORTLAND, MAINE**

PROJECT	REVISION
065904	00

DATE: 10/4/06  
 DRAWN BY: PMM  
 CHECKED BY: PMM  
 QUOTE NO: KX1CB7  
 QT. DATE: 9/25/06

REVISION HISTORY:


SHEET  
**E3**