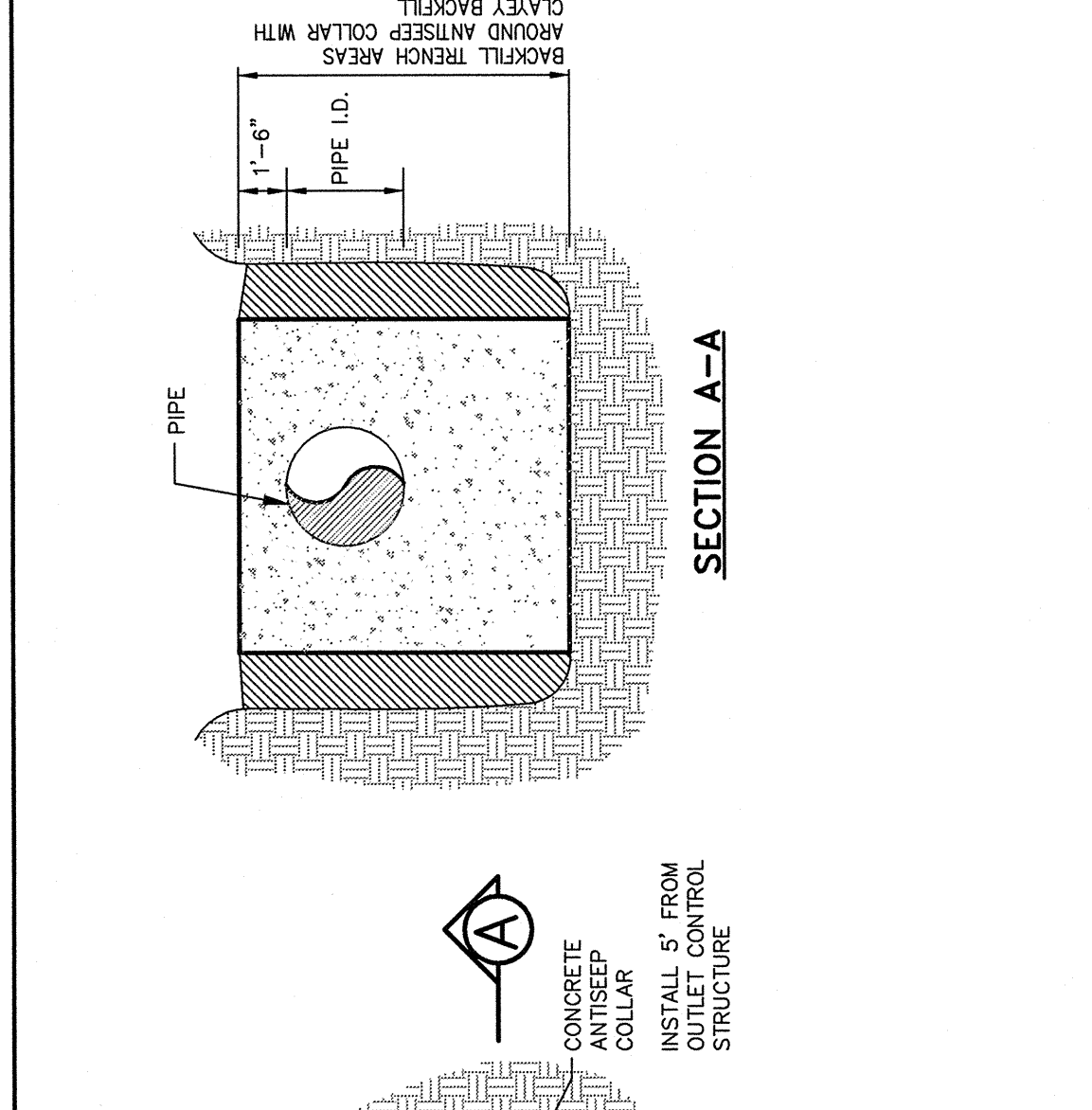
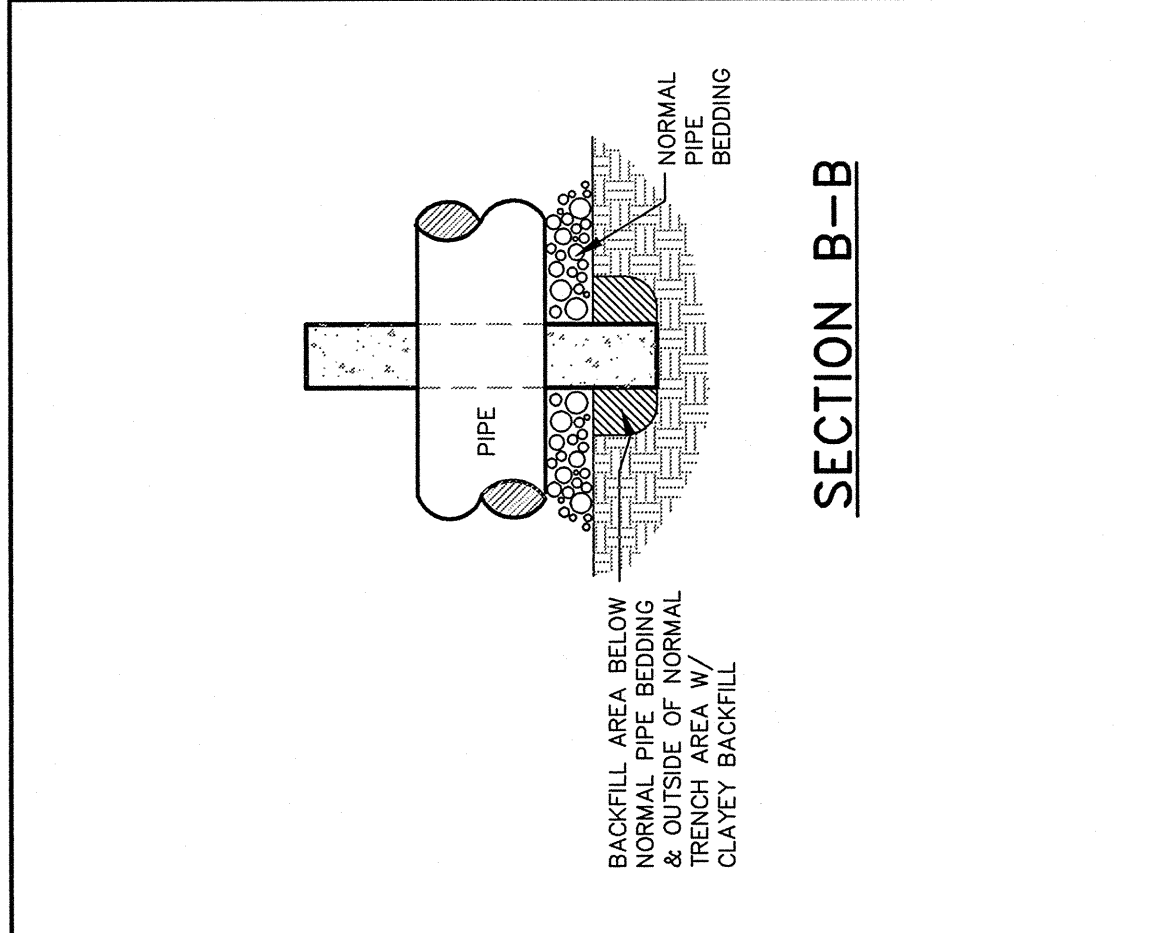


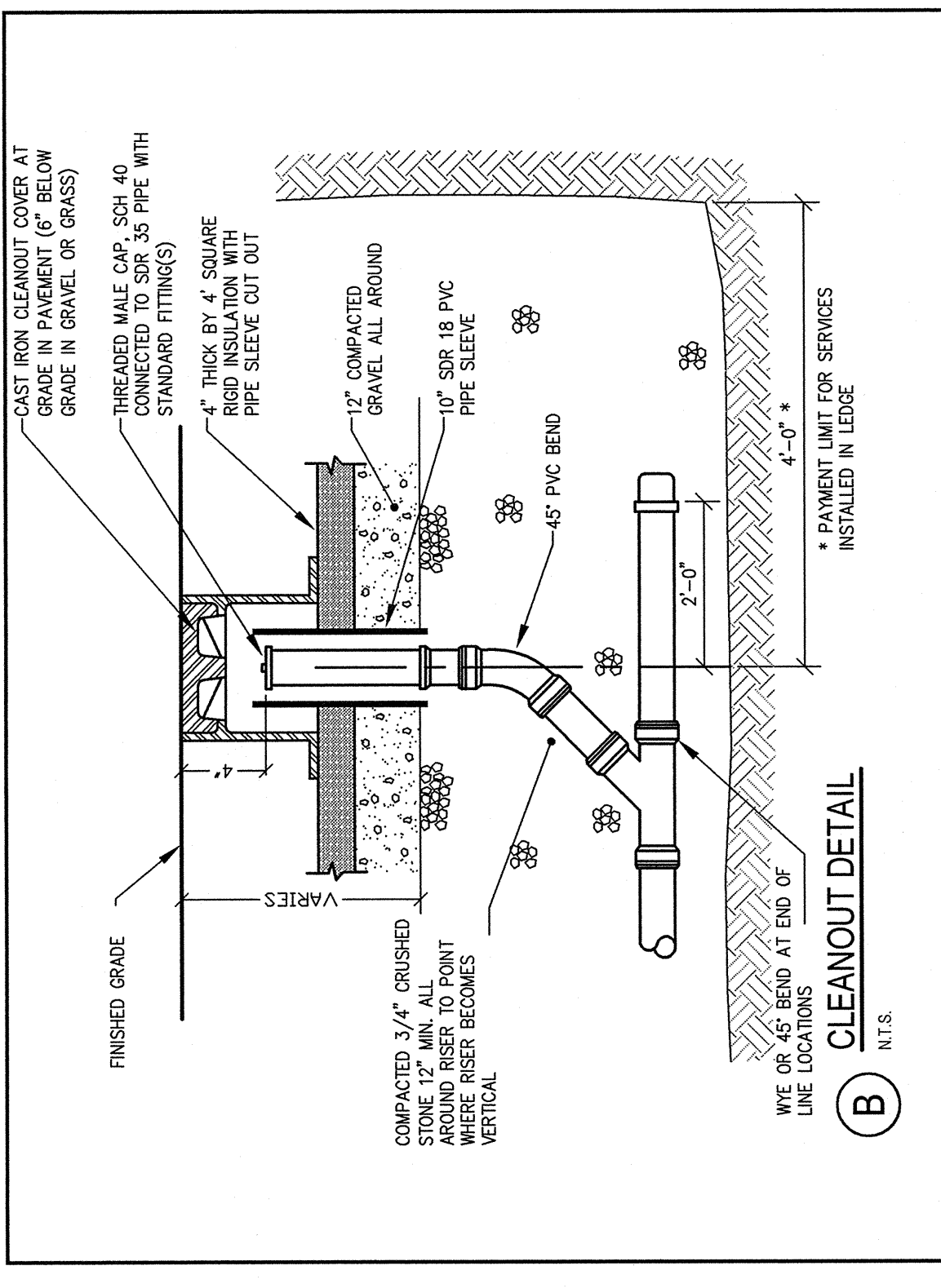
(A) ANTISEEP COLLAR
N.T.S.



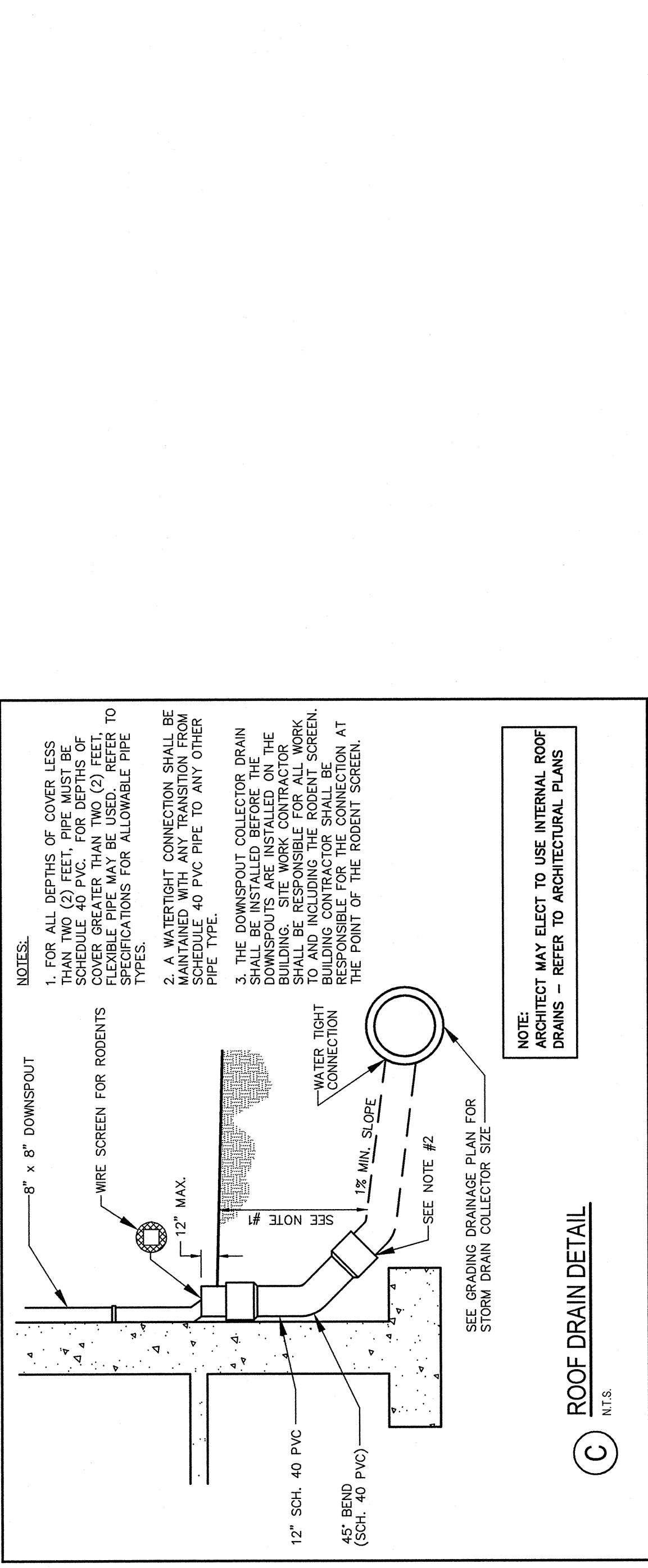
(B) CLEANOUT DETAIL
N.T.S.



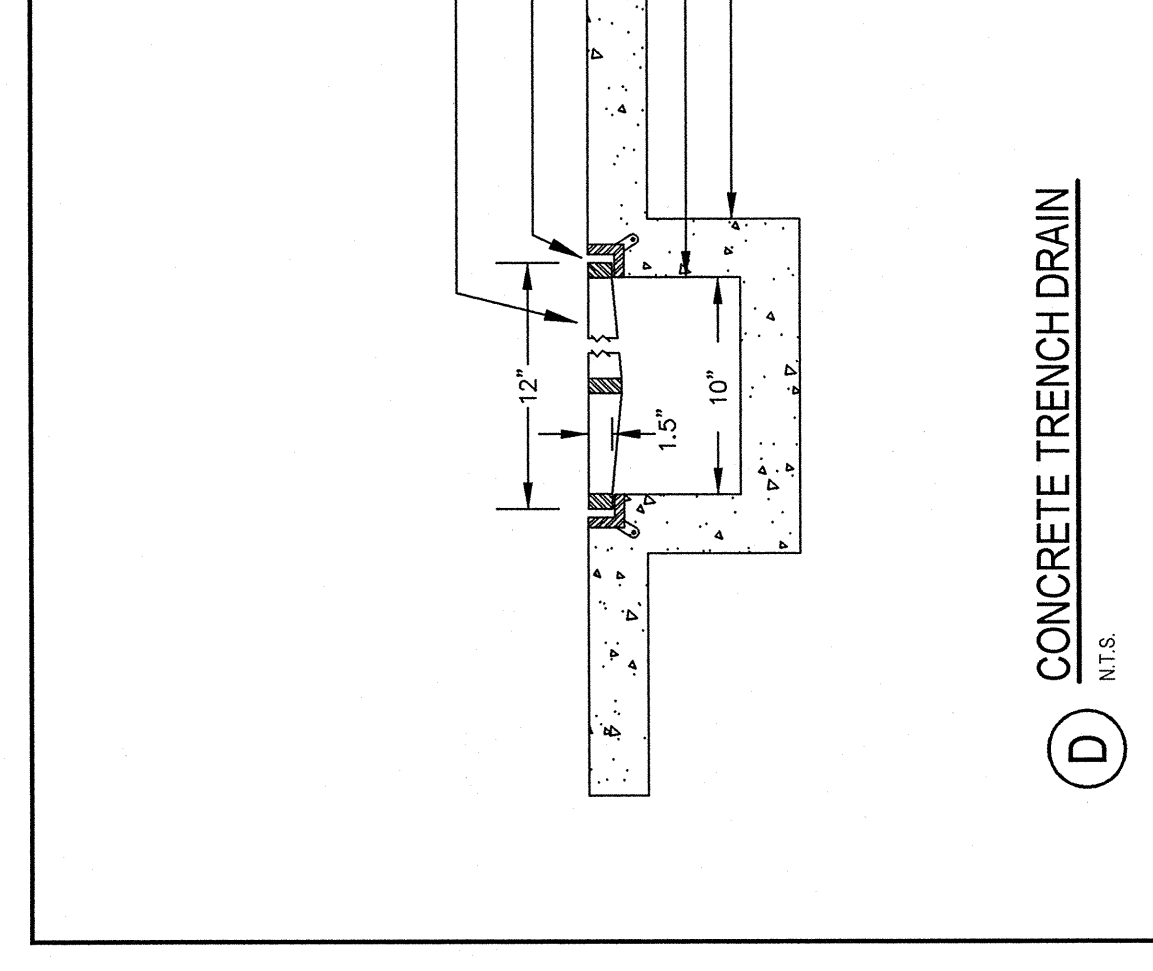
(C) ROOF DRAIN DETAIL
N.T.S.



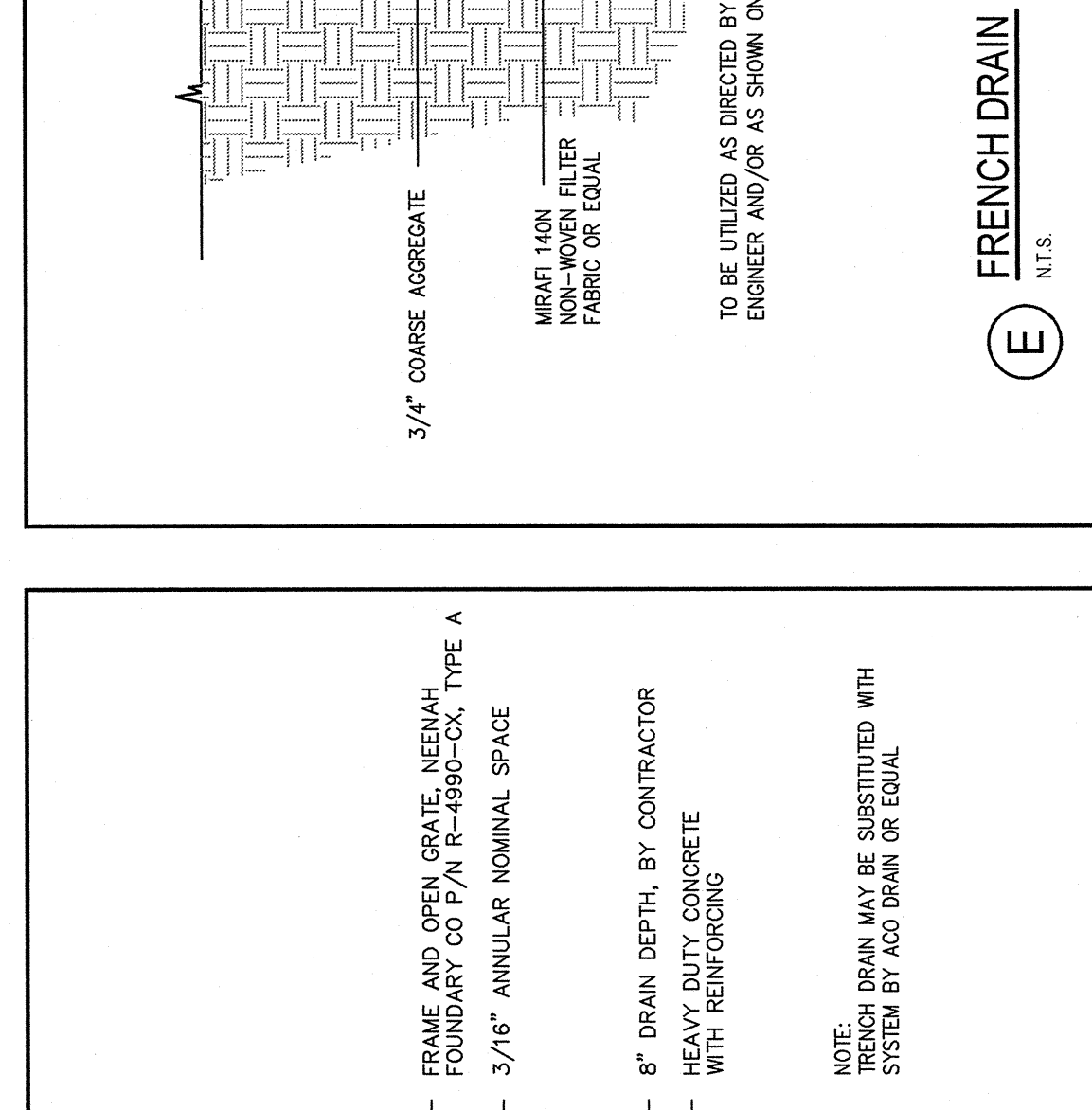
(D) CONCRETE TRENCH DRAIN
N.T.S.



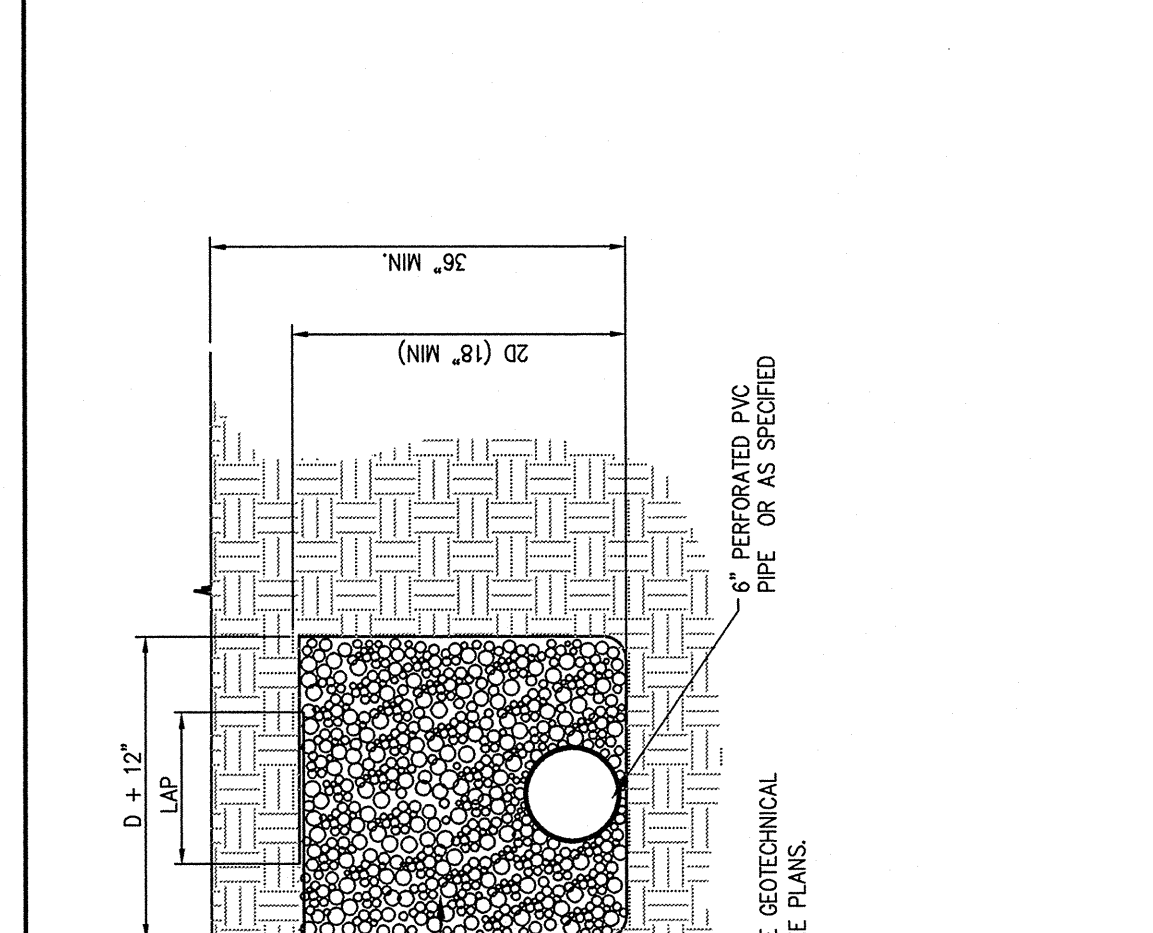
(E) FRENCH DRAIN
N.T.S.



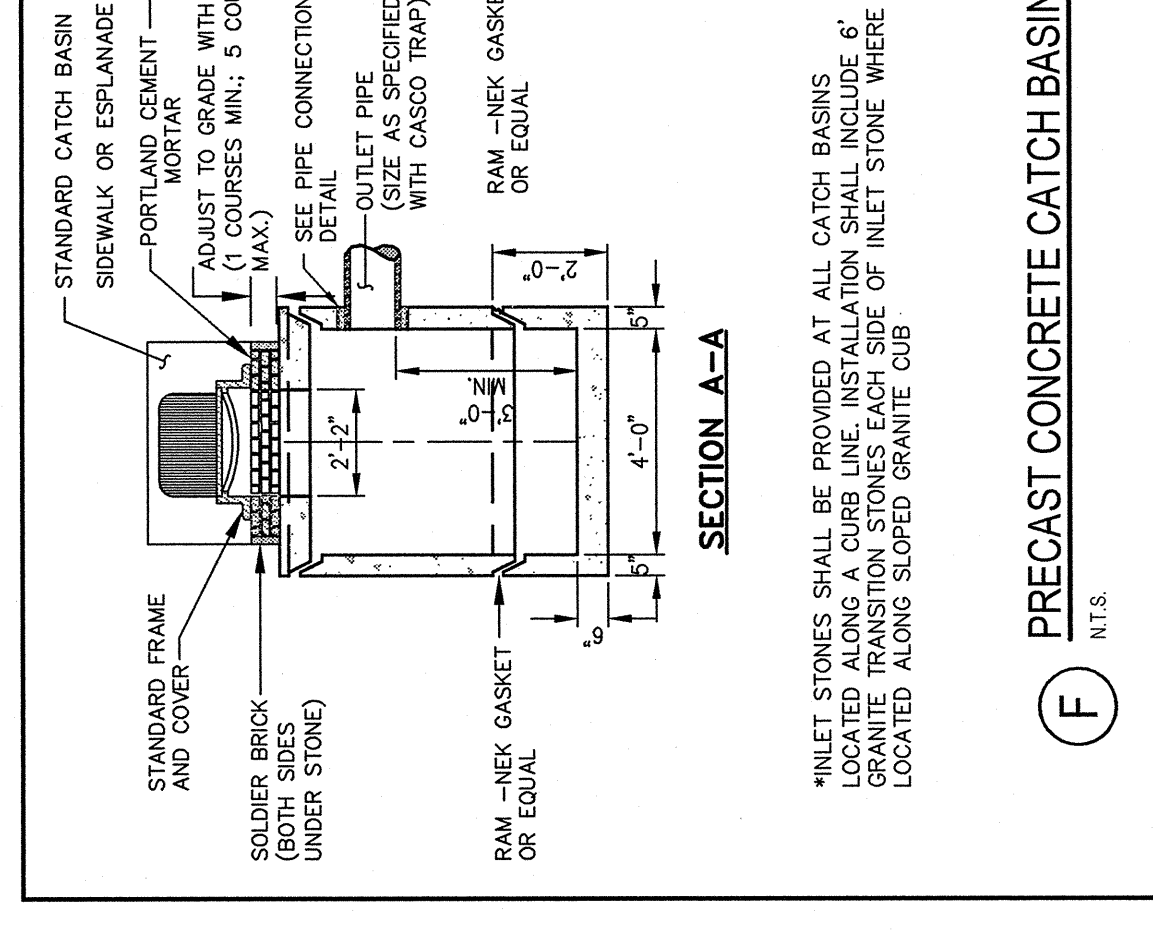
(F) CATCH BASIN TYPE 'F' (FIELD INLETS 1 AND 2)
N.T.S.



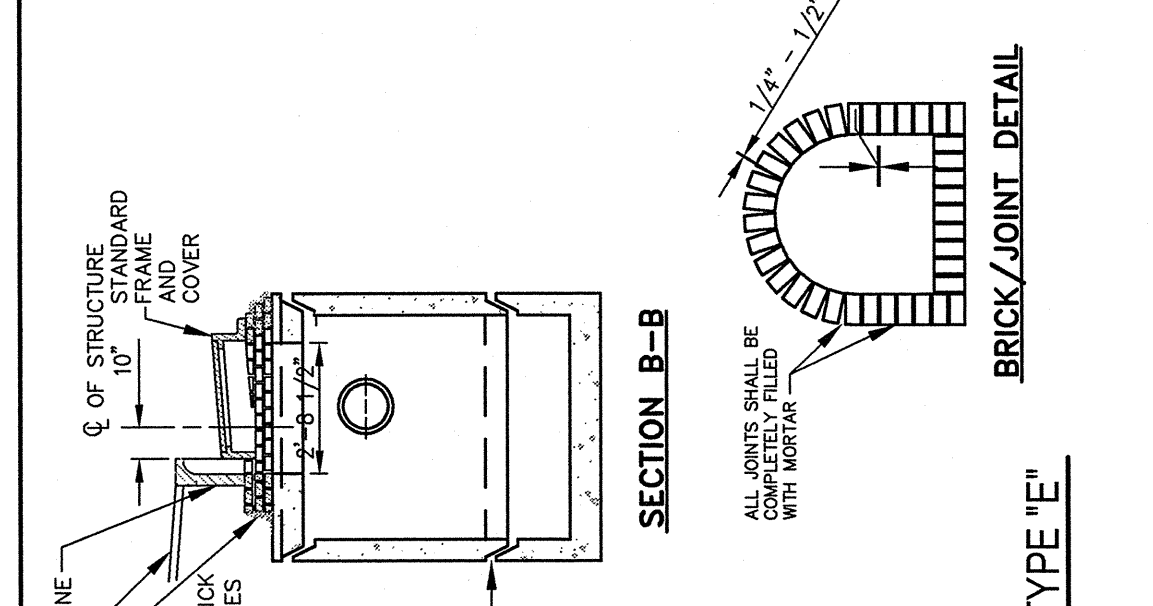
(G) TYPE 'A' MANHOLE COVER AND FRAME
N.T.S.



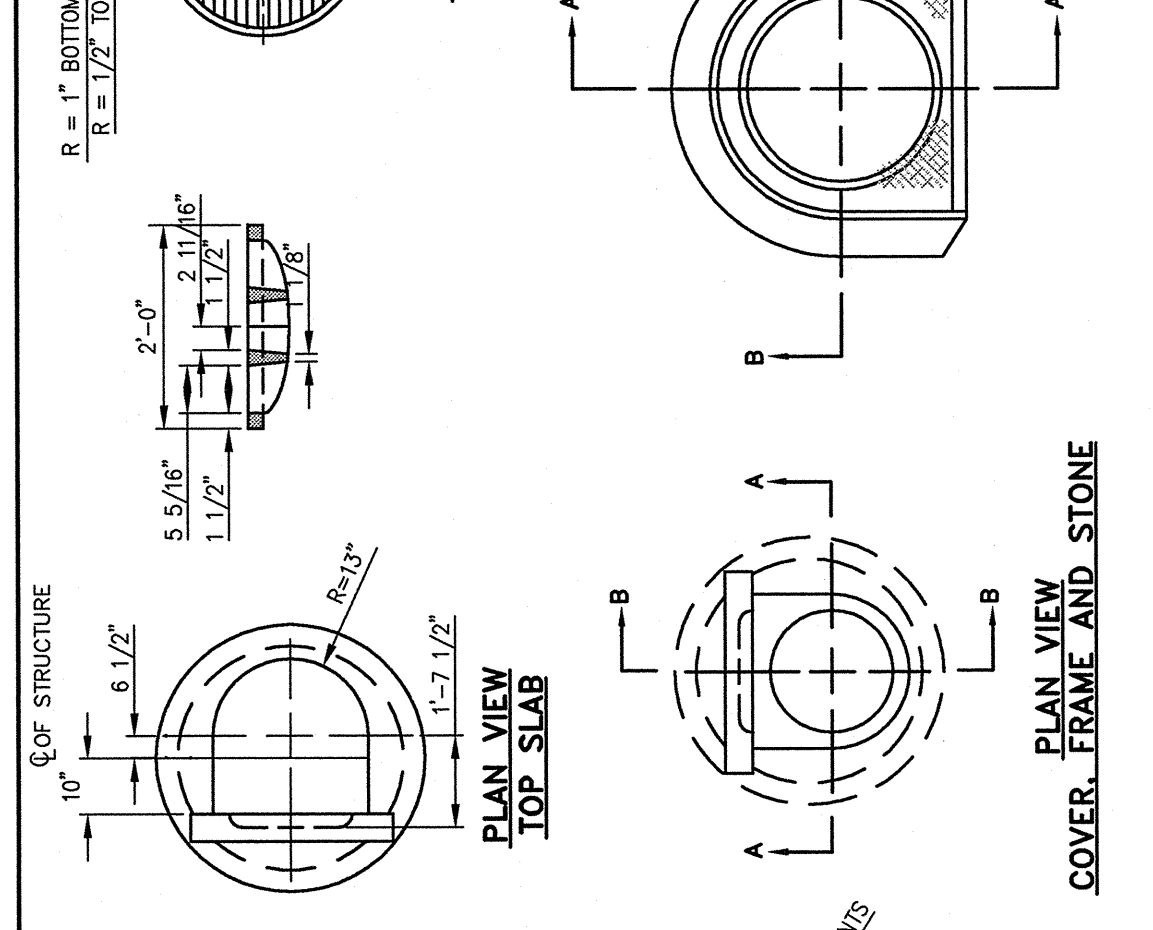
(H) VORTECH MODEL 16000 STORMWATER TREATMENT SYSTEM DETAIL
N.T.S.



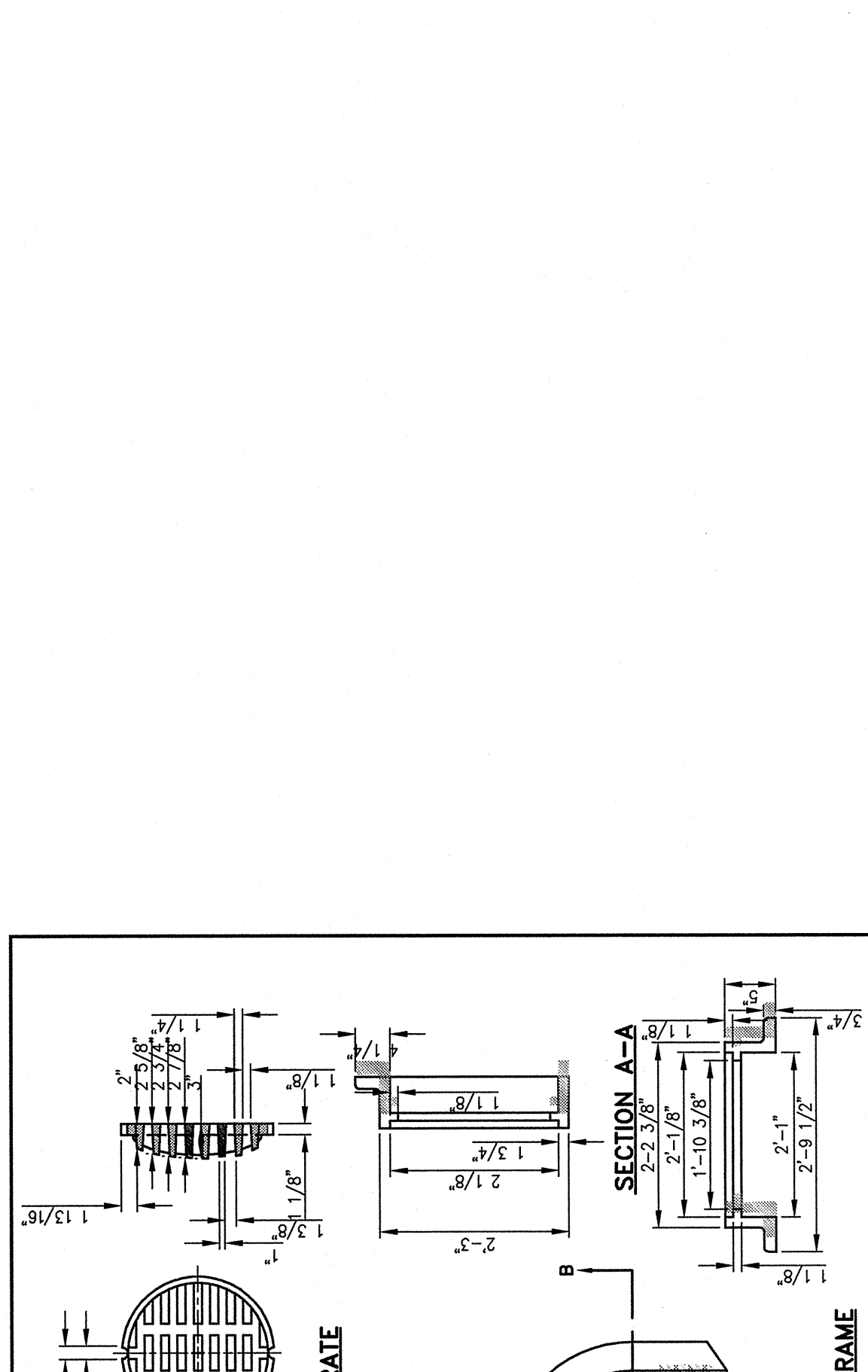
(I) TEMPORARY WATER QUALITY MEASURE INSIDE OF CATCH BASINS
N.T.S.



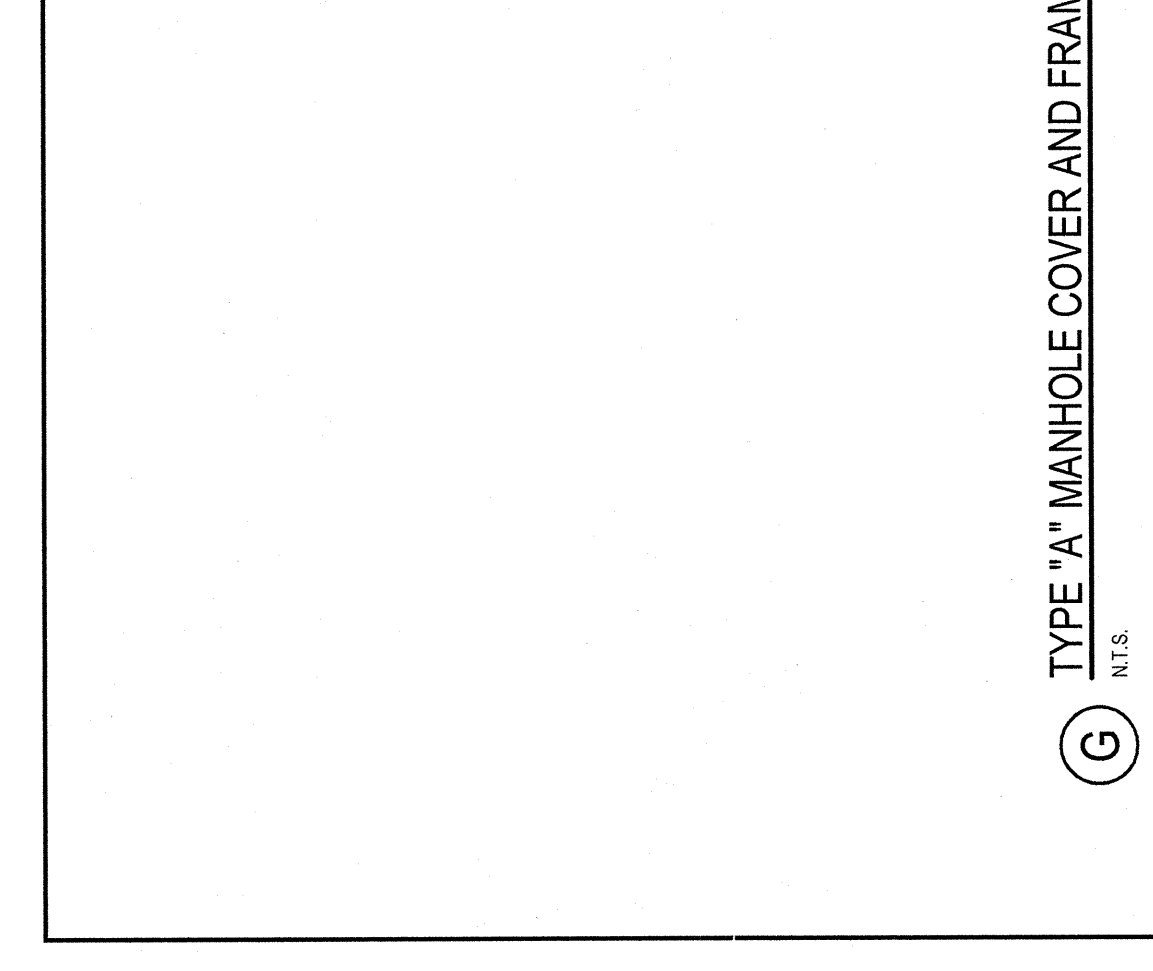
(J) PRECAST CONCRETE CATCH BASIN TYPE 'E'
N.T.S.



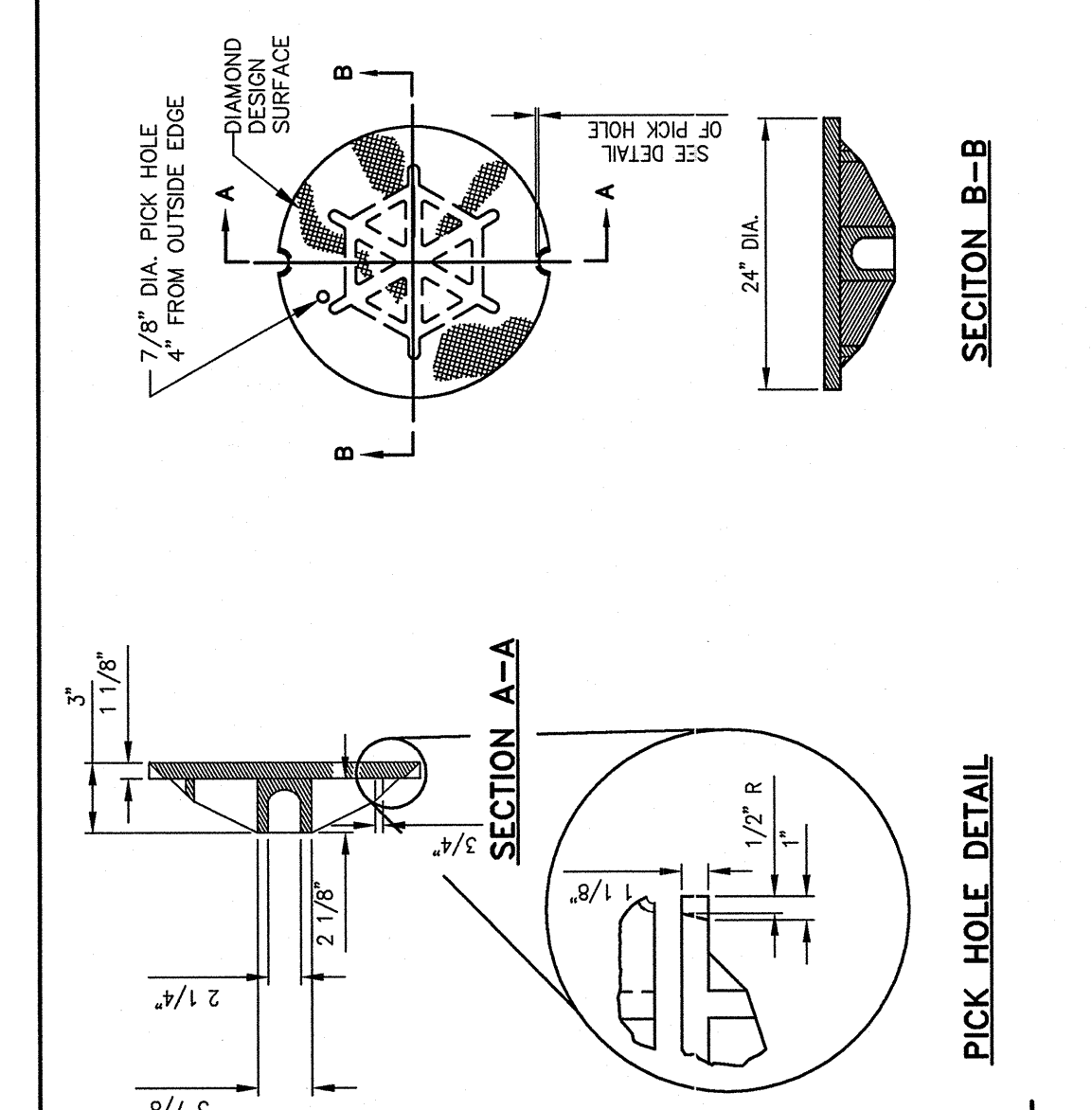
(K) STORMWATER TREATMENT SYSTEM DETAIL
N.T.S.



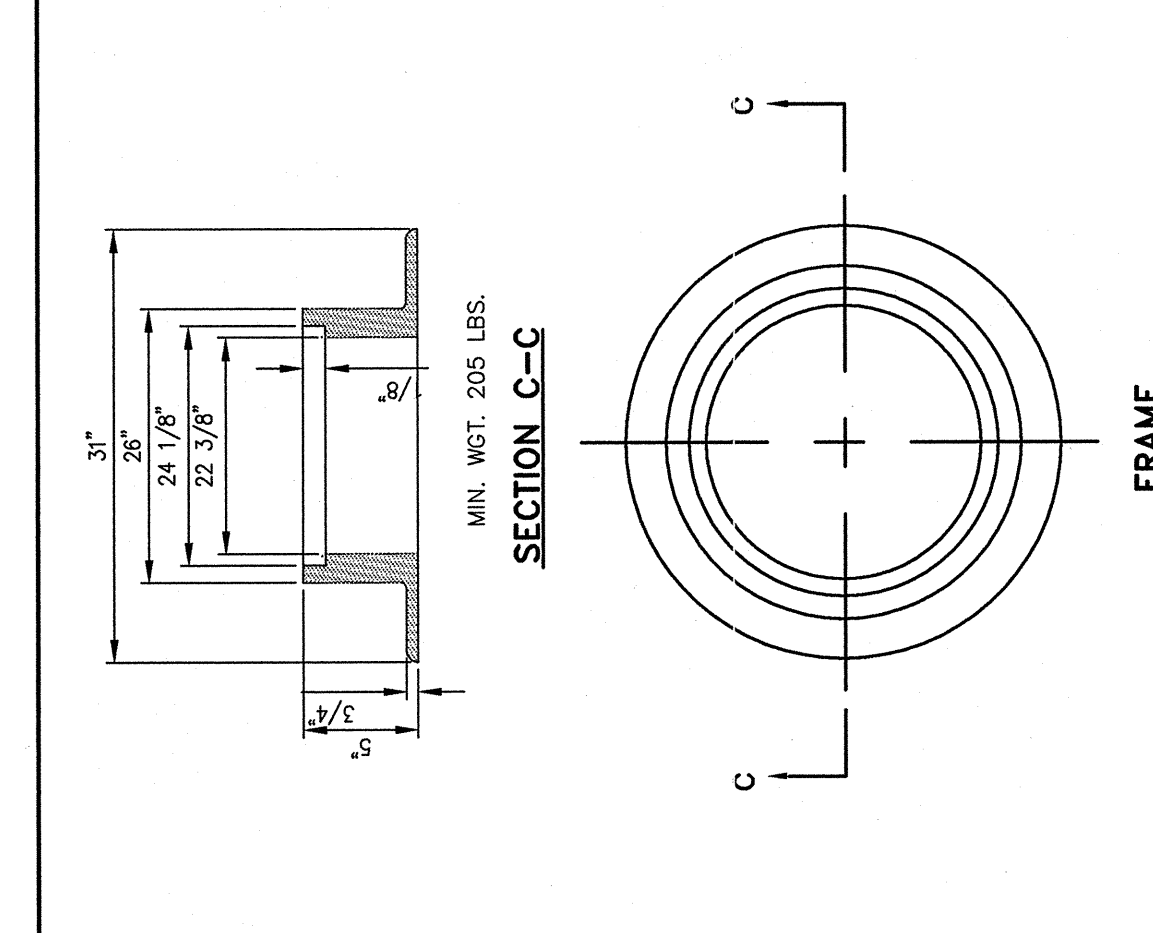
(L) STORMWATER TREATMENT SYSTEM DETAIL
N.T.S.



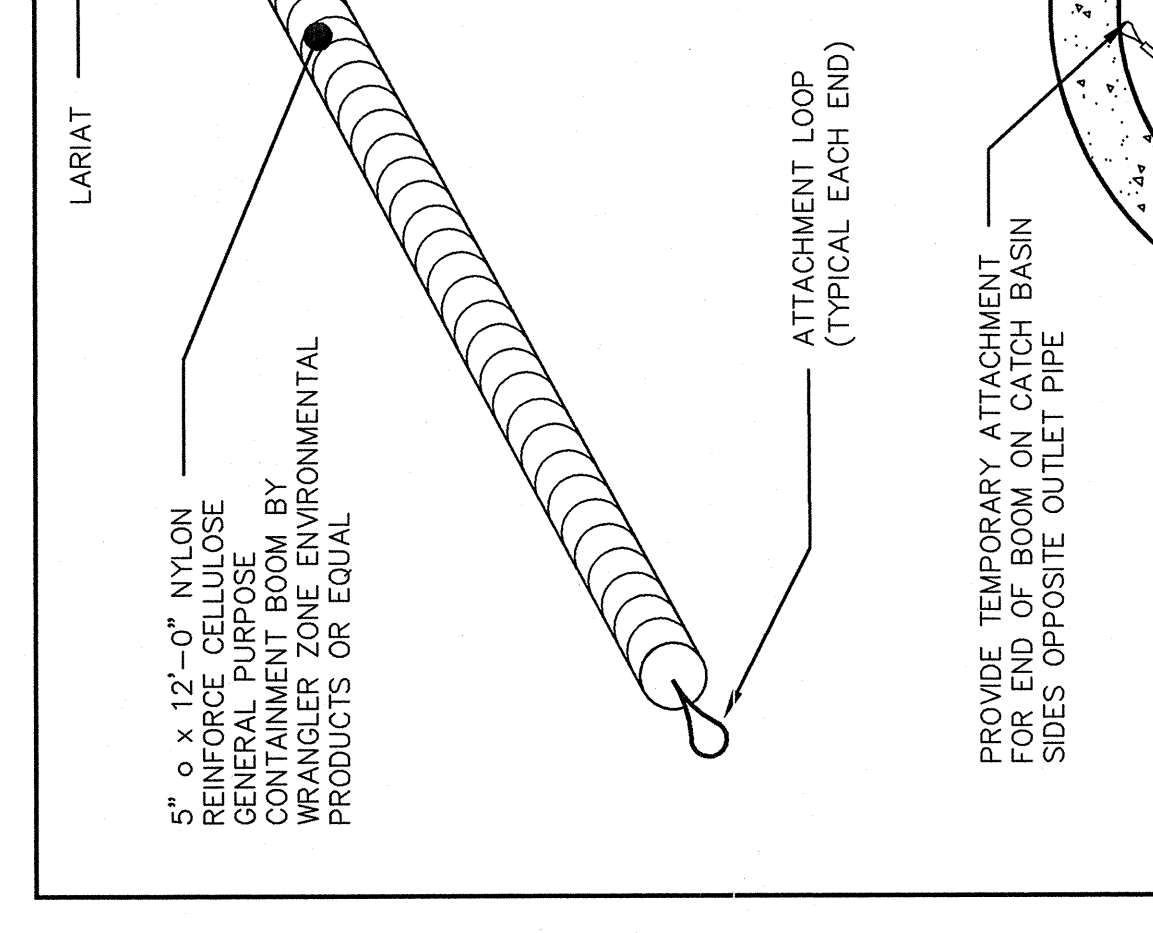
(M) STORMWATER TREATMENT SYSTEM DETAIL
N.T.S.



(N) STORMWATER TREATMENT SYSTEM DETAIL
N.T.S.



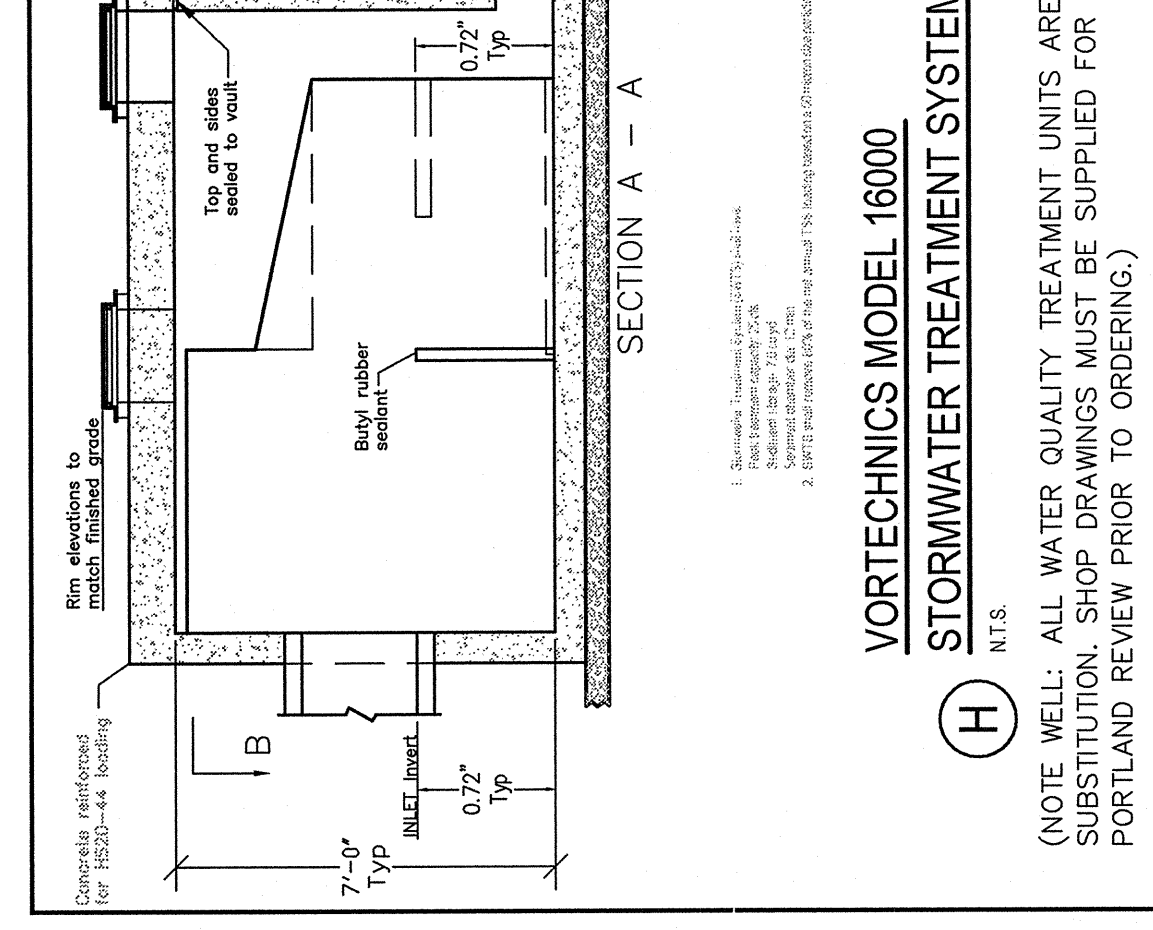
(O) STORMWATER TREATMENT SYSTEM DETAIL
N.T.S.



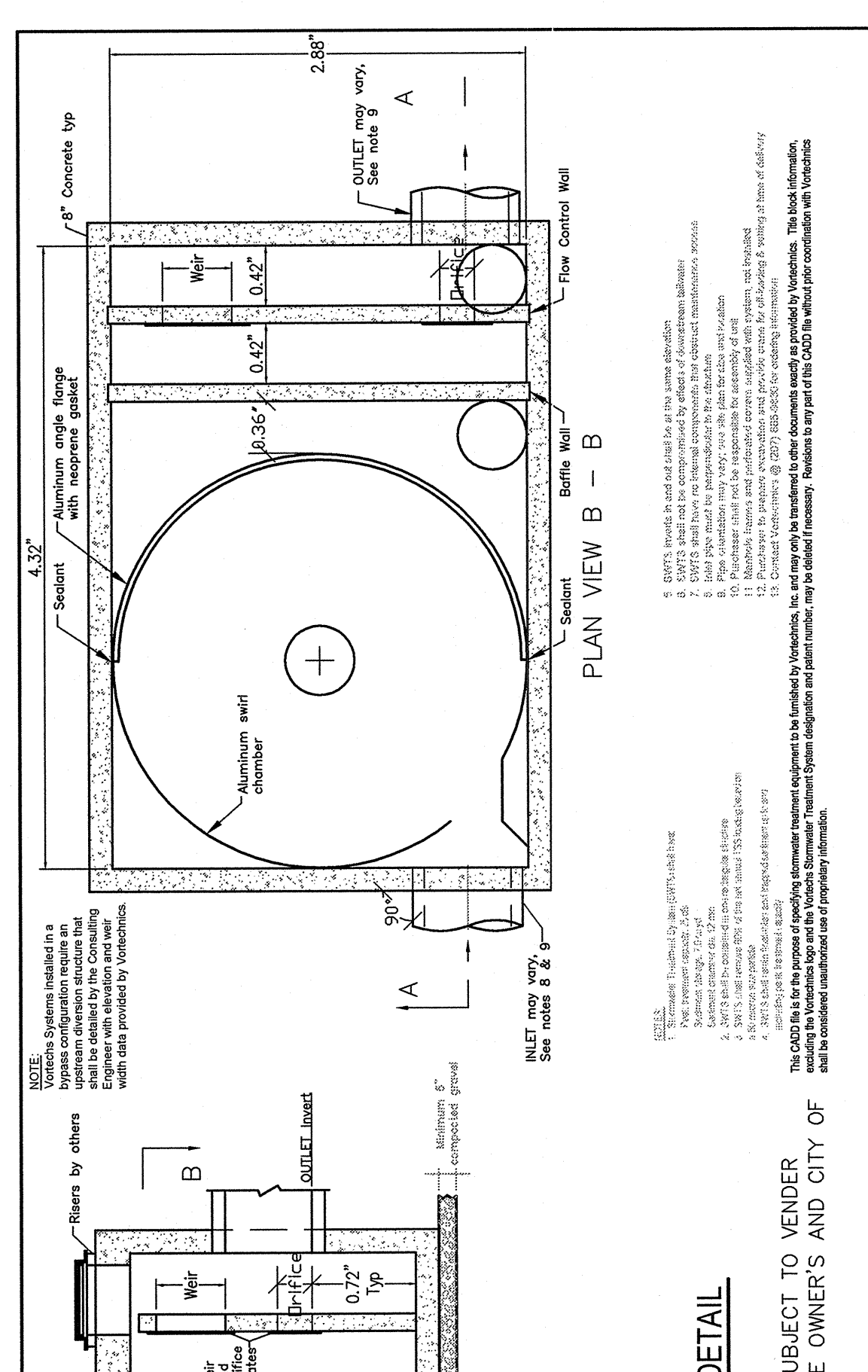
(P) STORMWATER TREATMENT SYSTEM DETAIL
N.T.S.



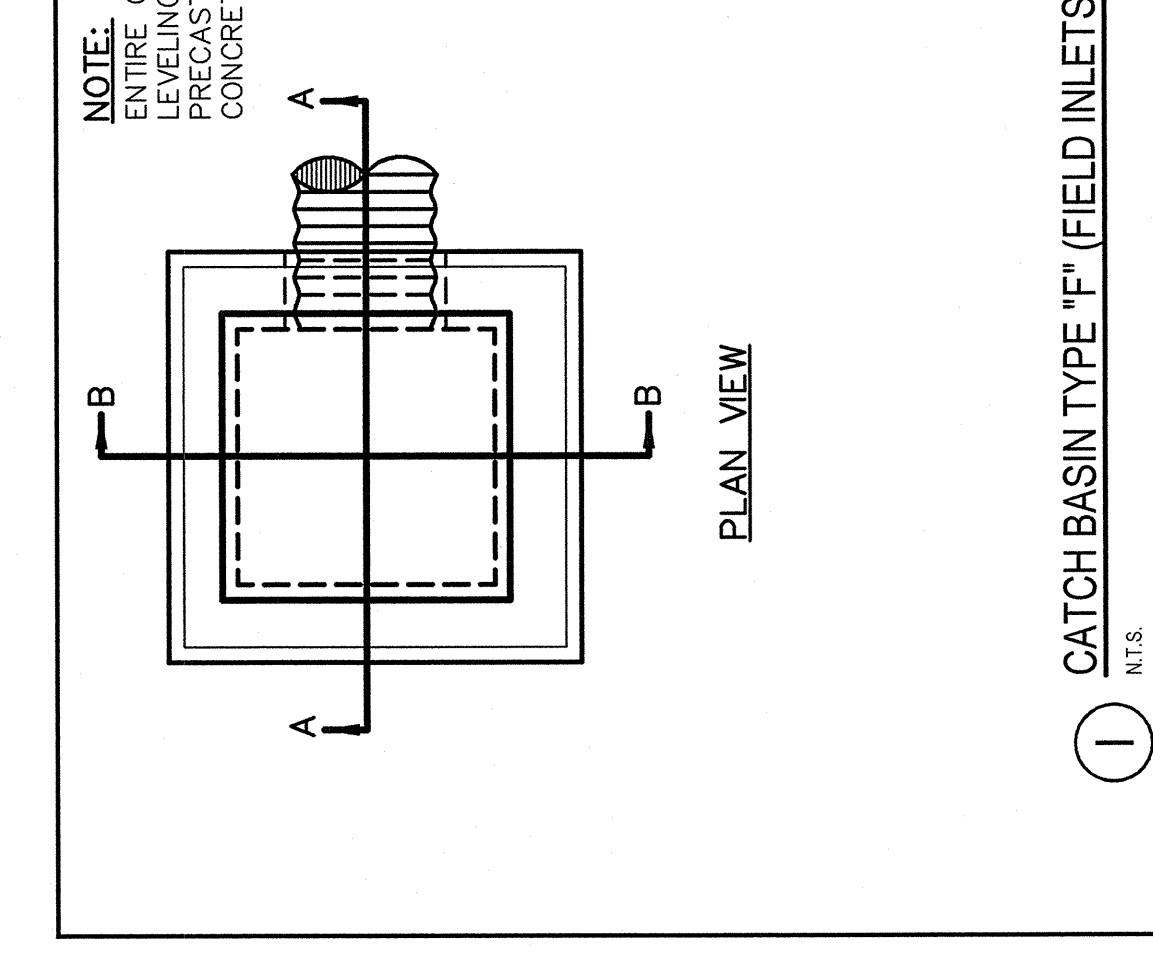
(Q) STORMWATER TREATMENT SYSTEM DETAIL
N.T.S.



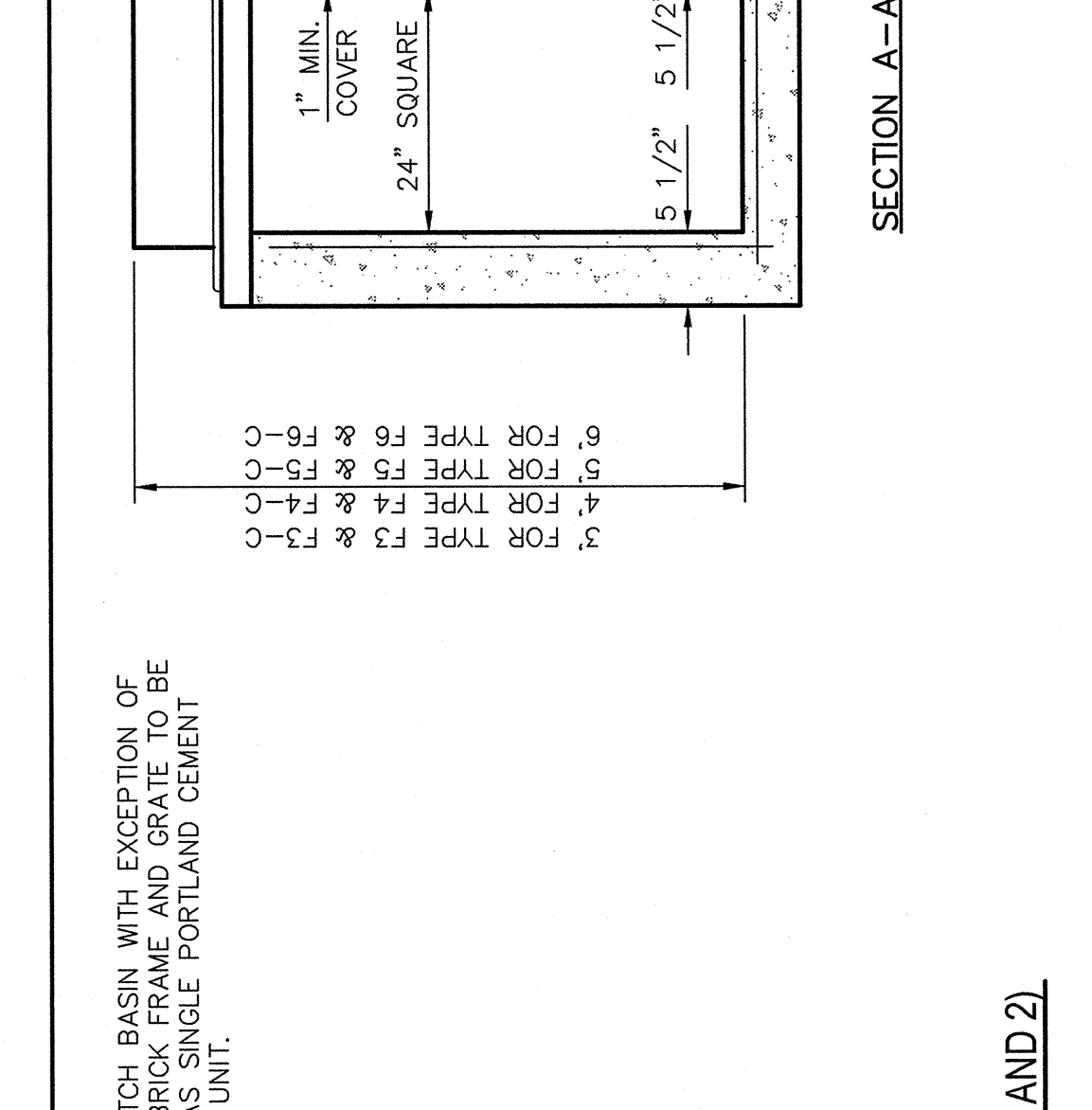
(R) STORMWATER TREATMENT SYSTEM DETAIL
N.T.S.



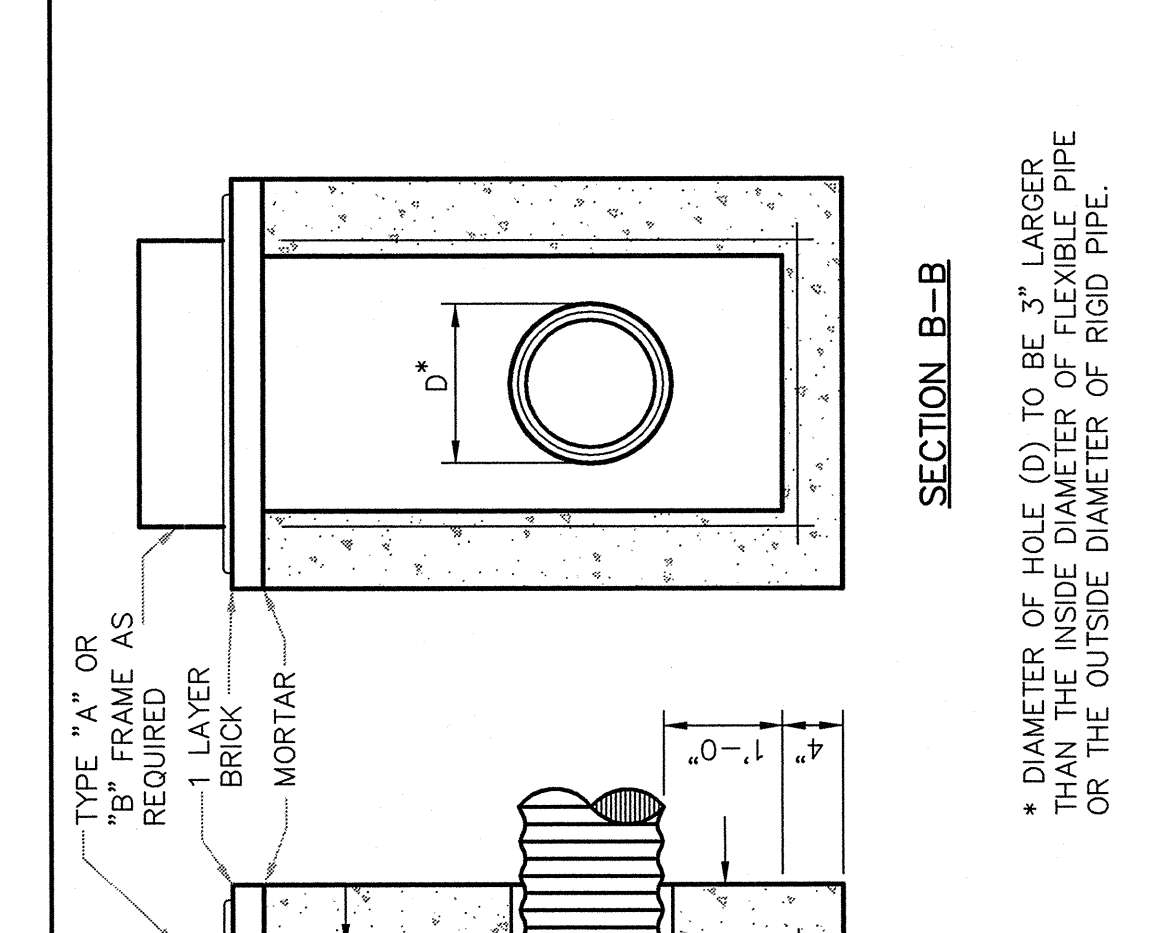
(S) STORMWATER TREATMENT SYSTEM DETAIL
N.T.S.



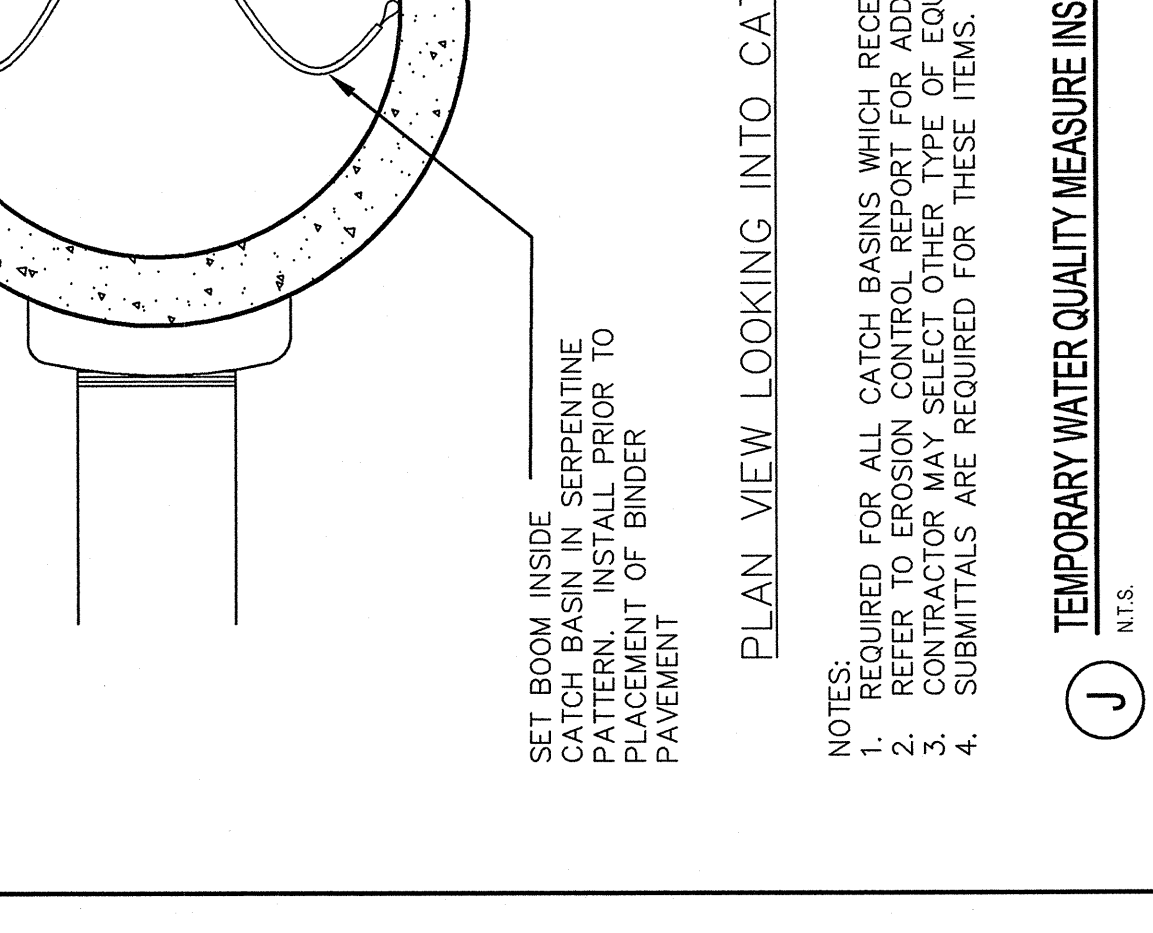
(T) STORMWATER TREATMENT SYSTEM DETAIL
N.T.S.



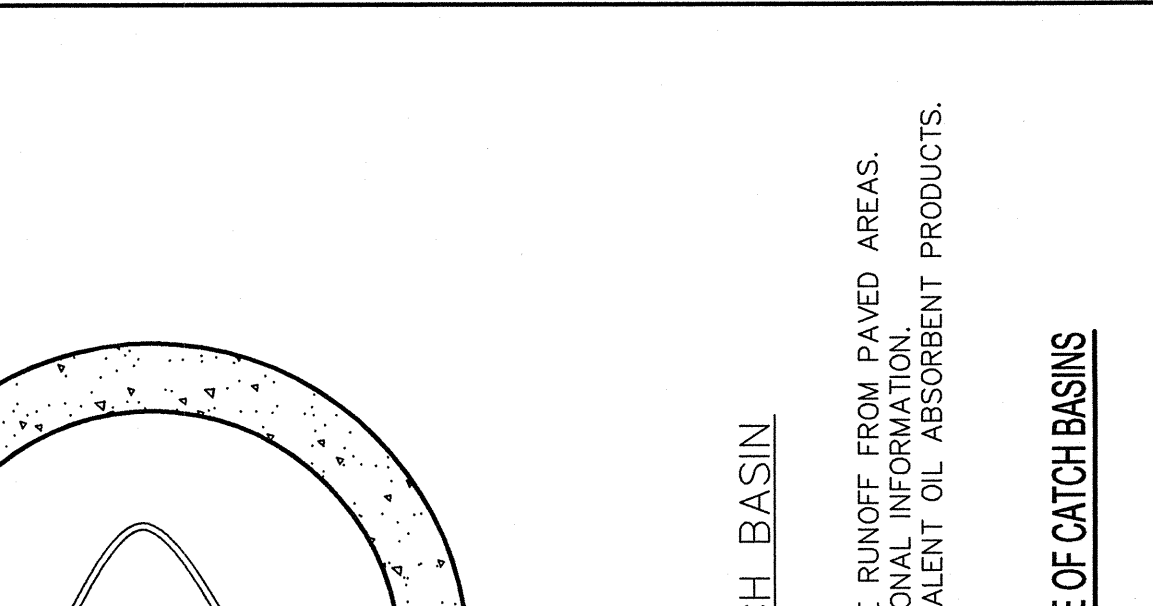
(U) STORMWATER TREATMENT SYSTEM DETAIL
N.T.S.



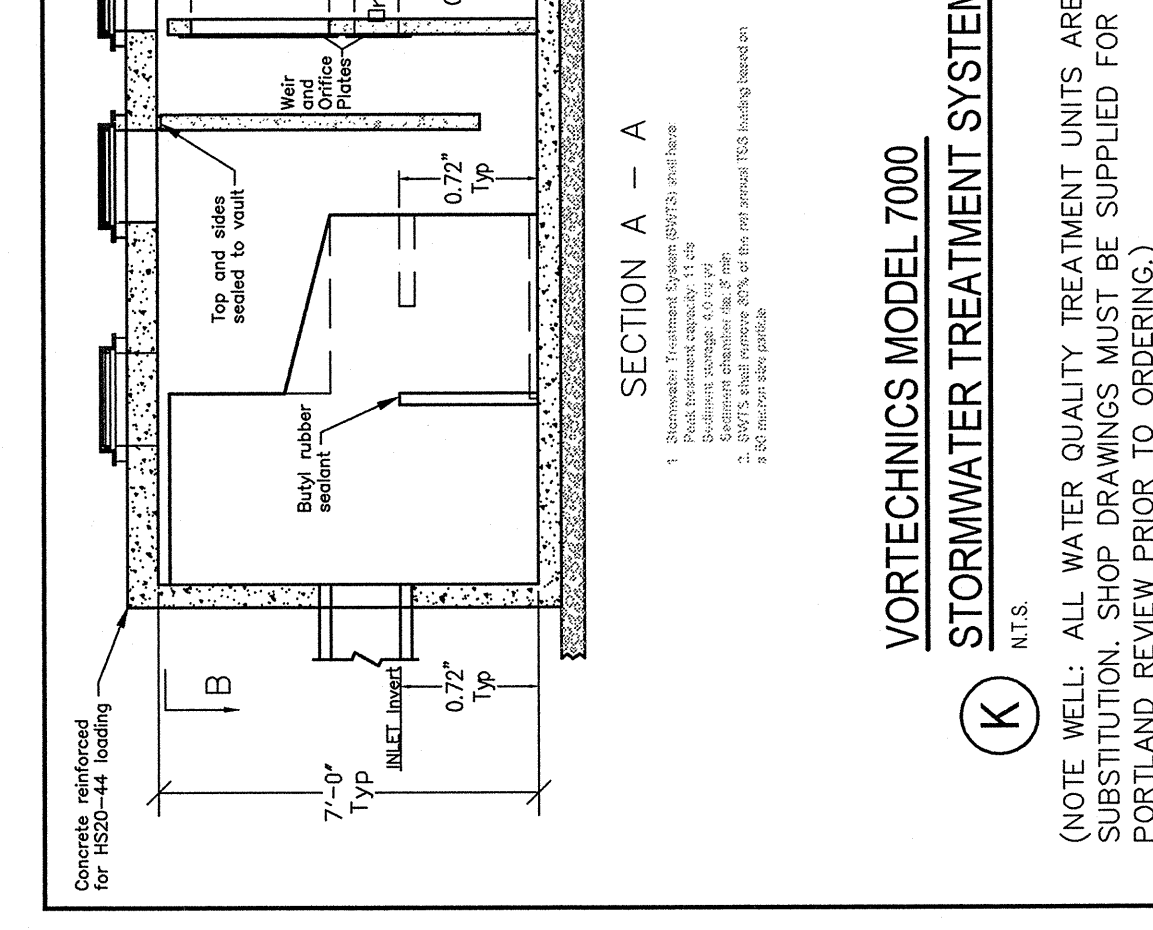
(V) STORMWATER TREATMENT SYSTEM DETAIL
N.T.S.



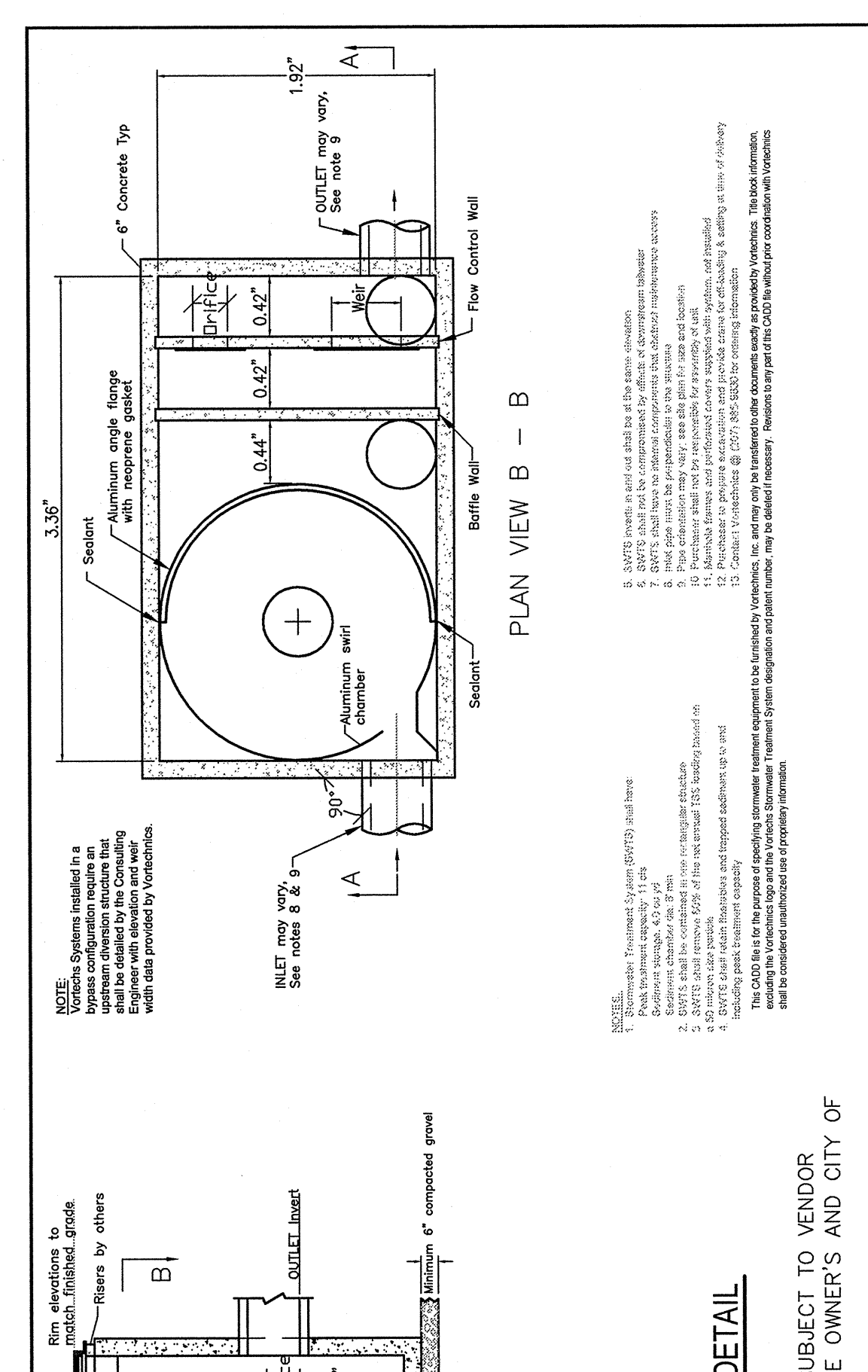
(W) STORMWATER TREATMENT SYSTEM DETAIL
N.T.S.



(X) STORMWATER TREATMENT SYSTEM DETAIL
N.T.S.



(Y) STORMWATER TREATMENT SYSTEM DETAIL
N.T.S.



(Z) STORMWATER TREATMENT SYSTEM DETAIL
N.T.S.

REV.	DATE	DESCRIPTION
1	11/12/02	STATIONING AND PLAN APPLICATION TO CITY OF PORTLAND
2	11/12/02	STATIONING AND PLAN APPLICATION TO CITY OF PORTLAND
3	11/12/02	STATIONING AND PLAN APPLICATION TO CITY OF PORTLAND
4	11/12/02	STATIONING AND PLAN APPLICATION TO CITY OF PORTLAND
5	11/12/02	STATIONING AND PLAN APPLICATION TO CITY OF PORTLAND

REV.	DATE	DESCRIPTION
1	11/12/02	STATIONING AND PLAN APPLICATION TO CITY OF PORTLAND
2	11/12/02	STATIONING AND PLAN APPLICATION TO CITY OF PORTLAND
3	11/12/02	STATIONING AND PLAN APPLICATION TO CITY OF PORTLAND
4	11/12/02	STATIONING AND PLAN APPLICATION TO CITY OF PORTLAND
5	11/12/02	STATIONING AND PLAN APPLICATION TO CITY OF PORTLAND

REV.	DATE	DESCRIPTION
1	11/12/02	STATIONING AND PLAN APPLICATION TO CITY OF PORTLAND
2	11/12/02	STATIONING AND PLAN APPLICATION TO CITY OF PORTLAND
3	11/12/02	STATIONING AND PLAN APPLICATION TO CITY OF PORTLAND
4	11/12/02	STATIONING AND PLAN APPLICATION TO CITY OF PORTLAND
5	11/12/02	STATIONING AND PLAN APPLICATION TO CITY OF PORTLAND

REV.	DATE	DESCRIPTION
1	11/12/02	STATIONING AND PLAN APPLICATION TO CITY OF PORTLAND
2	11/12/02	STATIONING AND PLAN APPLICATION TO CITY OF PORTLAND
3	11/12/02	STATIONING AND PLAN APPLICATION TO CITY OF PORTLAND
4	11/12/02	STATIONING AND PLAN APPLICATION TO CITY OF PORTLAND
5	11/12/02	STATIONING AND PLAN APPLICATION TO CITY OF PORTLAND

REV.	DATE	DESCRIPTION
1	11/12/02	STATIONING AND PLAN APPLICATION TO CITY OF PORTLAND
2	11/12/02	STATIONING AND PLAN APPLICATION TO CITY OF PORTLAND
3	11/12/02	STATIONING AND PLAN APPLICATION TO CITY OF PORTLAND
4	11/12/02	STATIONING AND PLAN APPLICATION TO CITY OF PORTLAND
5	11/12/02	STATIONING AND PLAN APPLICATION TO CITY OF PORTLAND

REV.	DATE	DESCRIPTION
1	11/12/02	STATIONING AND PLAN APPLICATION TO CITY OF PORTLAND
2	11/12/02	STATIONING AND PLAN APPLICATION TO CITY OF PORTLAND
3	11/12/02	STATIONING AND PLAN APPLICATION TO CITY OF PORTLAND
4	11/12/02	STATIONING AND PLAN APPLICATION TO CITY OF PORTLAND
5	11/12/02	STATIONING AND PLAN APPLICATION TO CITY OF PORTLAND

REV.	DATE	DESCRIPTION
1	11/12/02	STATIONING AND PLAN APPLICATION TO CITY OF PORTLAND
2	11/12/02	STATIONING AND PLAN APPLICATION TO CITY OF PORTLAND
3	11/12/02	STATIONING AND PLAN APPLICATION TO CITY OF PORTLAND
4	11/12/02	STATIONING AND PLAN APPLICATION TO CITY OF PORTLAND
5	11/12/02	STATIONING AND PLAN APPLICATION TO CITY OF PORTLAND