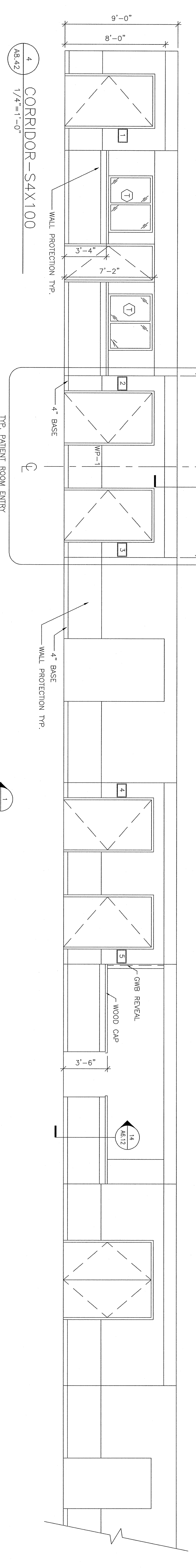


1 CORRIDOR-S4X010
A8.42 1/4"=1'-0"

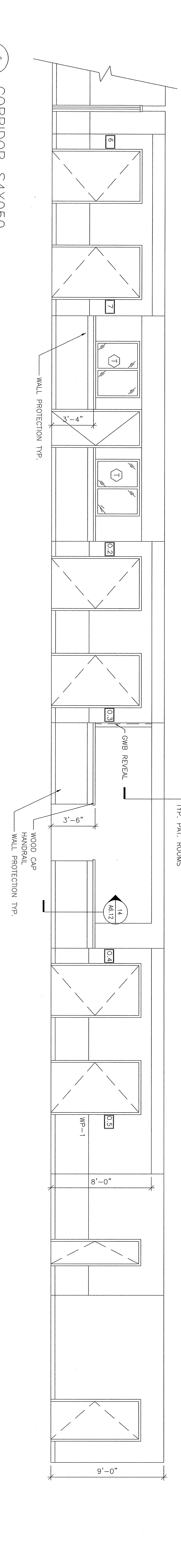
2 CORRIDOR-S4X060
A8.42 1/4"=1'-0"

3 SOLARIUM-S4004
A8.42 1/4"=1'-0"

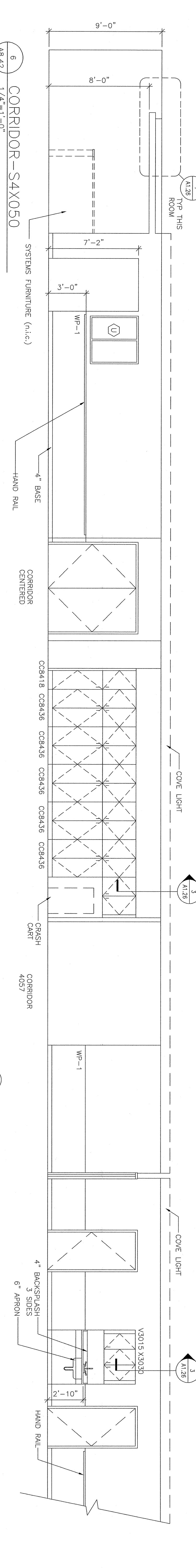


4 CORRIDOR-S4X100
A8.42 1/4"=1'-0"

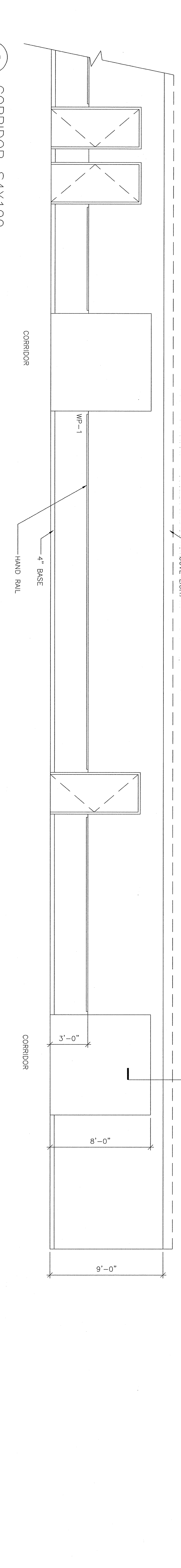
5 CORRIDOR-S4X050
A8.42 1/4"=1'-0"



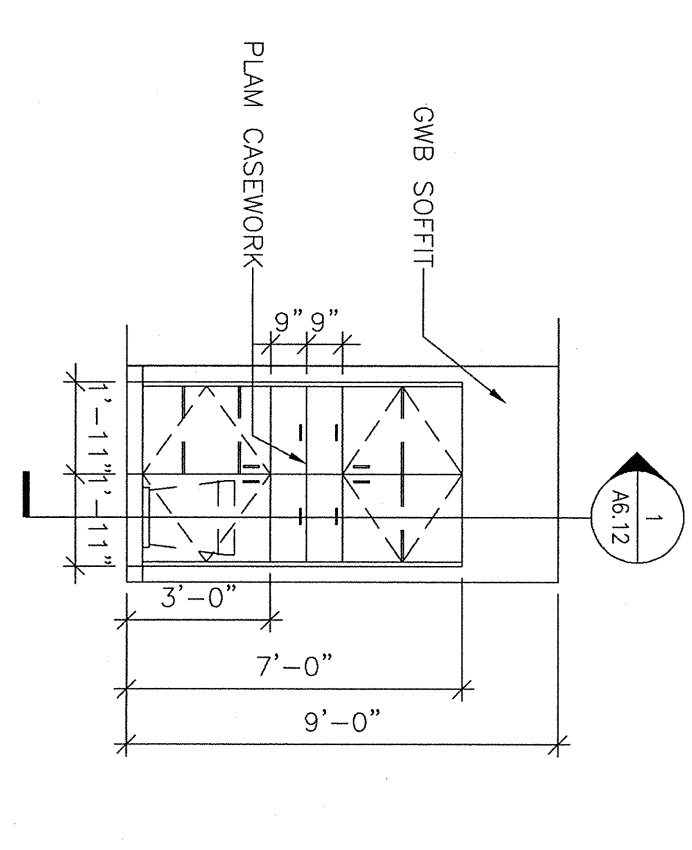
6 CORRIDOR-S4X050
A8.42 1/4"=1'-0"



7 CORRIDOR-S4X100
A8.42 1/4"=1'-0"

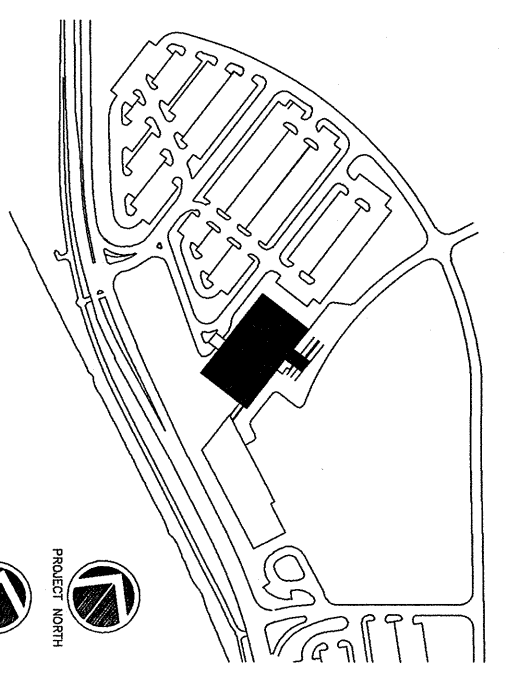


8 STORAGE CABINET (TYP)
A8.42 1/4"=1'-0"



9 STORAGE CABINET
A8.42 1/4"=1'-0"

- GENERAL NOTES:
1. SEE INTERIOR DETAILS A2.6 FOR USER WALL PROTECTION & HAND RAILS
 2. SEE FINISH PLANS FOR EXTENSION OF FINISH MATERIAL
 3. SEE A6.07/A6.08 FOR CASEWORK LEGEND & DETAILS
 4. SEE A6.06 FOR ACCESSORY MOUNTING HEIGHTS



Consultant:
CIVIL ENGINEER Associates, Inc.
144 Fore Street P.O. Box 618
Providence, Rhode Island 02903
Phone: (401) 722-3946
Fax: (401) 722-3946

Consultant:
ASSOCIATE ARCHITECT/STRUCTURAL ENGINEER
144 Fore Street P.O. Box 618
Providence, Rhode Island 02903
Phone: (401) 722-3946
Fax: (401) 722-3946

Consultant:
ELECTRICAL ENGINEER
Bird, Row & Atkins Consulting Engineers, LLC
The Arsenal on the Charles
778 Main Street, Suite 8
Wolcott, MA 02472-5789
Phone: (508) 711-1101
Fax: (508) 711-1101

Consultant:
EQUIPMENT PLANNING
Gene Burton & Associates
Franklin, Tennessee 37067
Phone: (615) 376-3100
Fax: (615) 376-3114

Consultant:
CONSTRUCTION MANAGER
Globe Building Company
Providence, Rhode Island 02903
Phone: (401) 486-5885
Fax: (401) 486-5818

Consultant:
FOOD SERVICE
Food Service Associates, LLC
1808 West End Ave. Suite 1400
Nashville, TN 37203-6591
Phone: (615) 272-5591
Fax: (615) 271-5689

It is the responsibility of the Construction Sub-Contractors to verify all dimensions and notes before proceeding with any work.

Date	11/10/06	Final-Bid Set For Construction
Drawn By	ART/KD	
Scale		
AS NOTED		

Francis

Cauffman

Foley

Hoffmann

Francis Cauffman 2120 Main Street
Providence, Rhode Island 02903
Phone: (401) 722-3946
Fax: (401) 722-3946

Mercy Health Care
System of Maine
FORE RIVER SHORT
STAY HOSPITAL



Project Number
F03-4989
Drawing Title and Number
Fourth Floor Interior Elevations
A8.42

A8.42