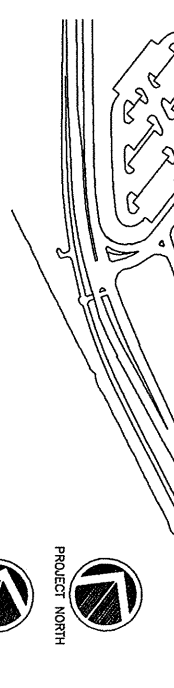


- GENERAL NOTES:
- SEE INTERIOR DETAILS A126 FOR BUNKER WALL PROTECTION & HAND RAILS
 - SEE FINISH PLANS FOR EXTENTS OF FINISH MATERIAL
 - SEE A6.07/A6.08 FOR CASEWORK LEGEND & DETAILS
 - SEE A6.06 FOR ACCESSORY MOUNTING HEIGHTS



Consultant
 CIVIL ENGINEER
 Gene Burton & Associates
 778 Main Street, Suite 8
 South Portland, ME 04086
 Phone: (603) 771-1121
 Fax: (207) 879-0896

Consultant
 ASSOCIATE ARCHITECT/STRUCTURAL ENGINEER
 144 Fore Street P.O. Box 618
 Portland, ME 04101
 Phone: (207) 772-3946
 Fax: (207) 772-1070

Consultant
 MECHANICAL/ELECTRICAL ENGINEER
 Burd, Ross & Altona Consulting Engineers, LLC
 The Arsenal on the Corners
 Waterford, MA 02472-5789
 Phone: (413) 868-5116
 Fax: 517.924.8339

Consultant
 EQUIPMENT PLANNING
 Gene Burton & Associates
 778 Main Street, Suite 8
 South Portland, ME 04086
 Phone: (603) 376-3100
 Fax: (603) 376-3114

Consultant
 CONSTRUCTION MANAGER
 Granite Building Company
 1000 Main Street, Suite 203
 Providence, Rhode Island 02903
 Phone: (401) 468-5116
 Fax: (401) 468-5116

Consultant
 FOOD SERVICE
 Food Service Systems, LLC
 1808 West End Ave. Suite 1400
 Nashville, TN 37203-4591
 Phone: (615) 321-5589
 Fax: (615) 321-5589

It is the responsibility of the construction Sub-Contractor to verify all dimensions and notes before proceeding with any work.

Date 11/10/06
 Drawn by ART/KD
 Scale AS NOTED

Francis

Cauffman

Foley

Hoffmann

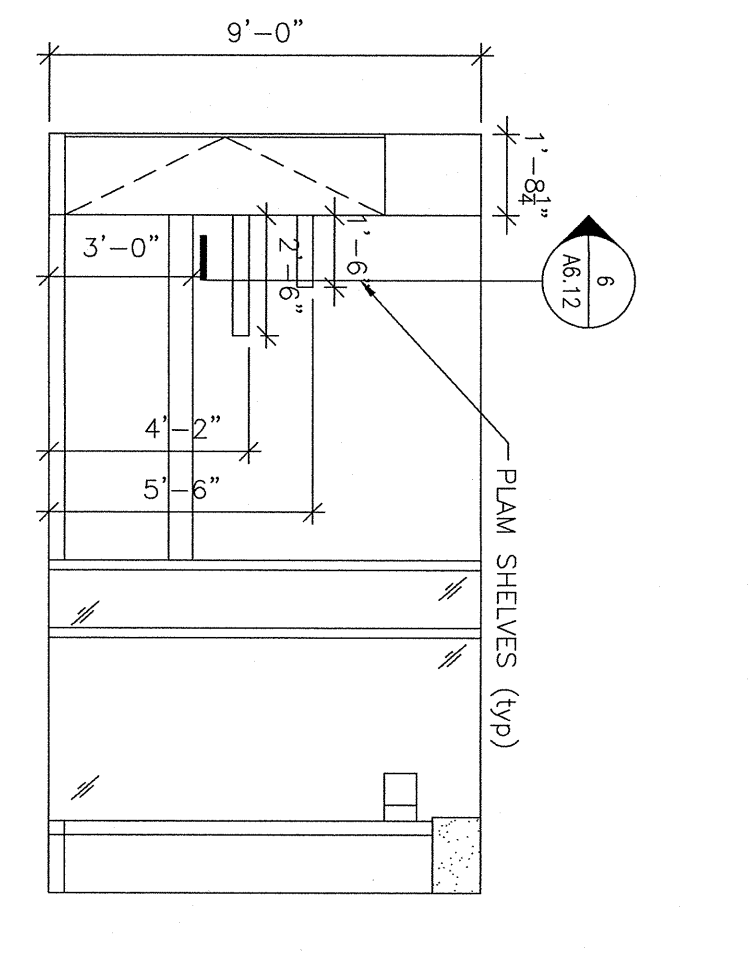
Francis Cauffman
 2120 Main Street
 Portland, ME 04103
 Architects Ltd.
 215-56-4250

Project Title
 Mercy Health Care
 System of Maine
 FORE RIVER SHORT
 STAY HOSPITAL

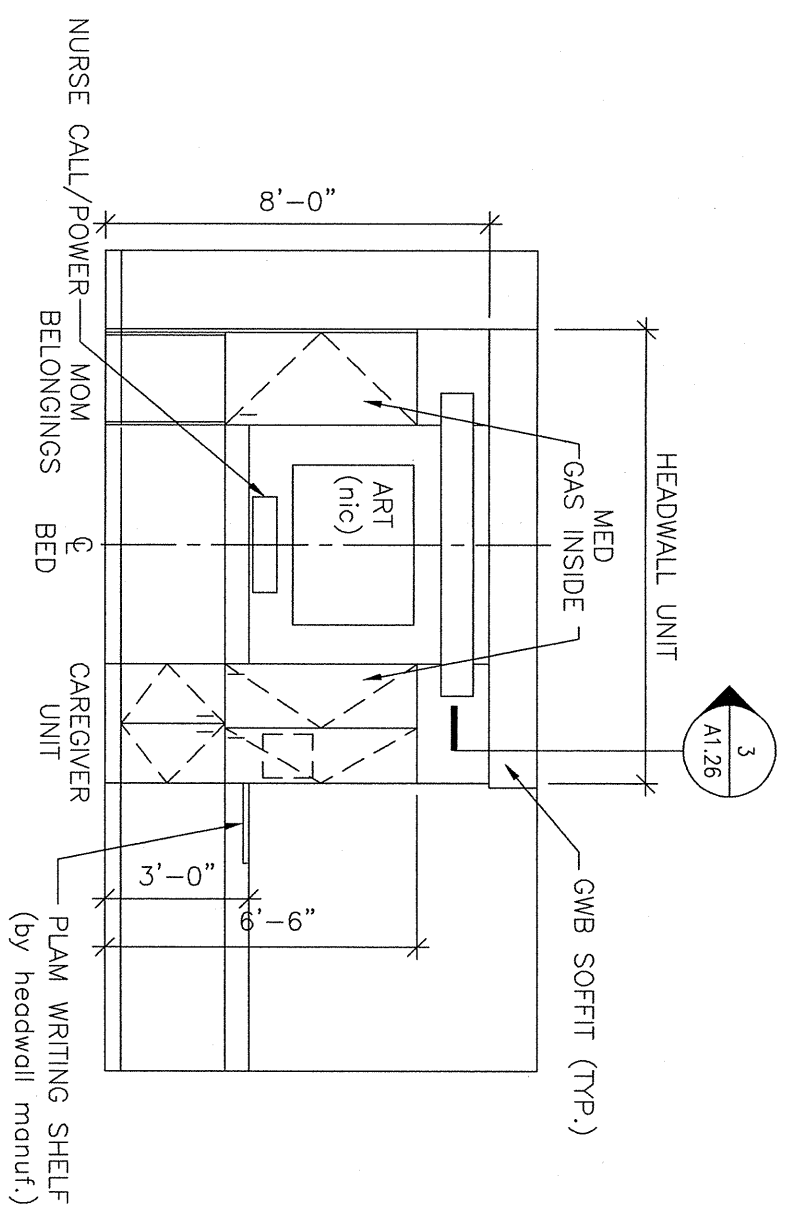


Project Number
 F03-4389
 Drawing Title and Number
 Fourth Floor Interior Elevations
 8/10/06

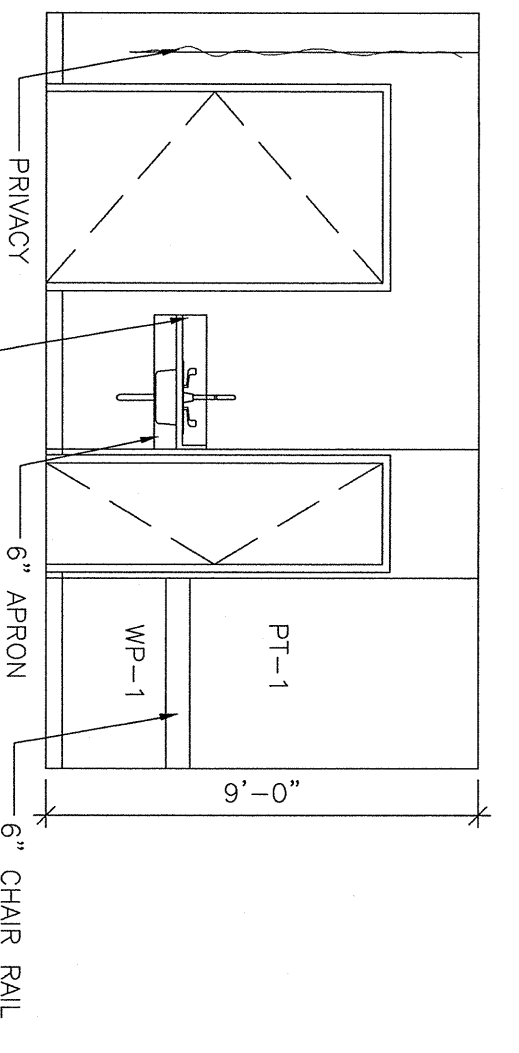
A8.40



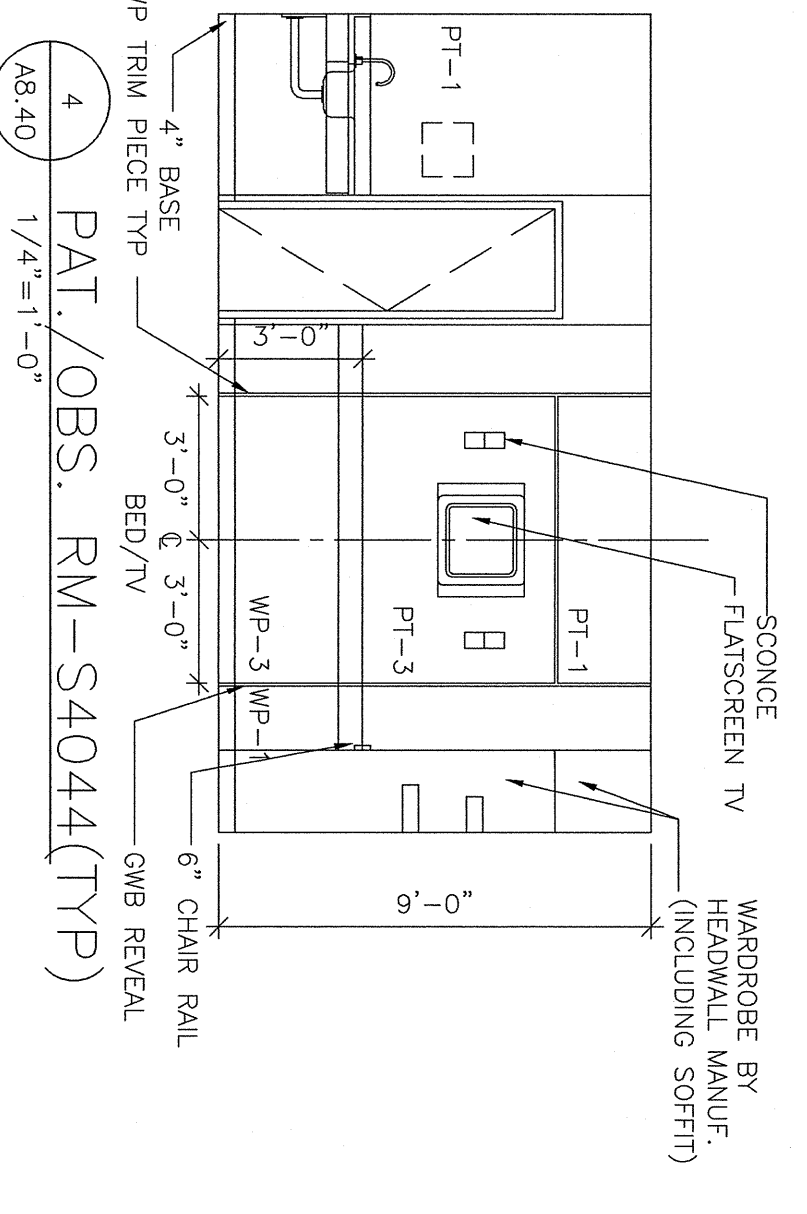
1 PAT./OBS. RM-S4044(TYP)
 A8.40 1/4"=1'-0"



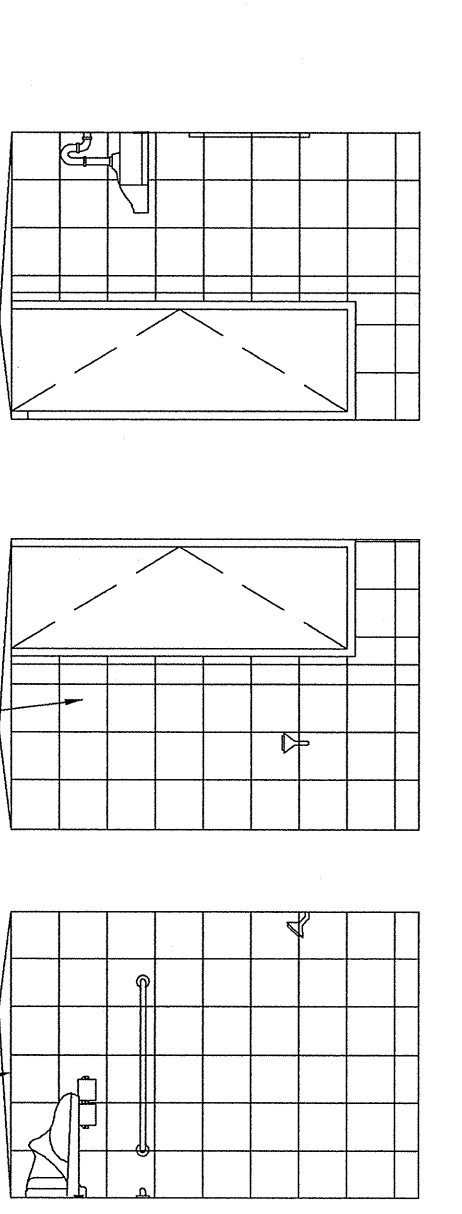
2 PAT./OBS. RM-S4044(TYP)
 A8.40 1/4"=1'-0"



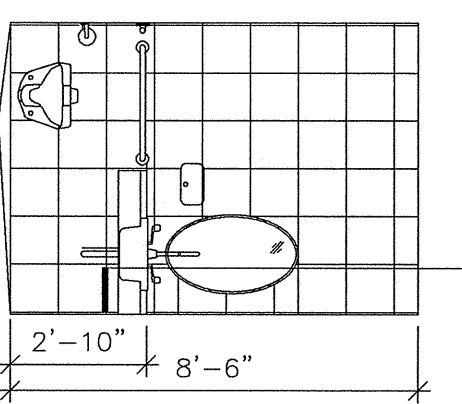
3 PAT./OBS. RM-S4044(TYP)
 A8.40 1/4"=1'-0"



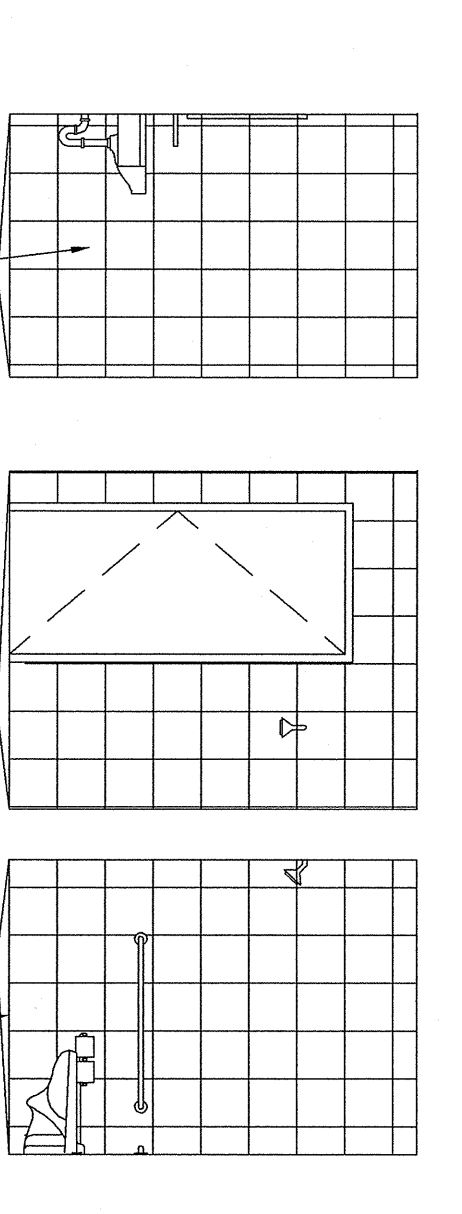
4 PAT./OBS. RM-S4044(TYP)
 A8.40 1/4"=1'-0"



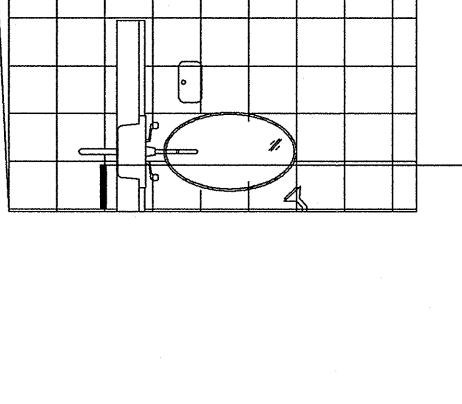
5 PAT. RM TOILET-S4044A (TYP)
 A8.40 1/4"=1'-0"



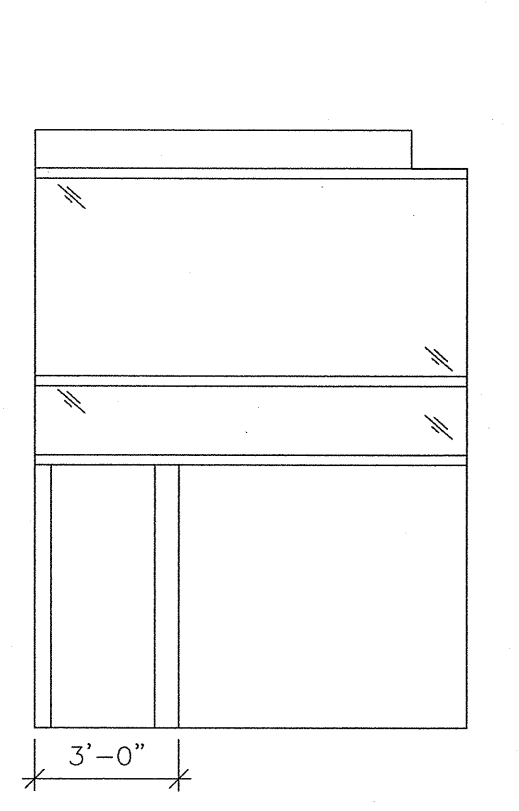
6 OBS. RM-S4012 & S4007
 A8.40 1/4"=1'-0"



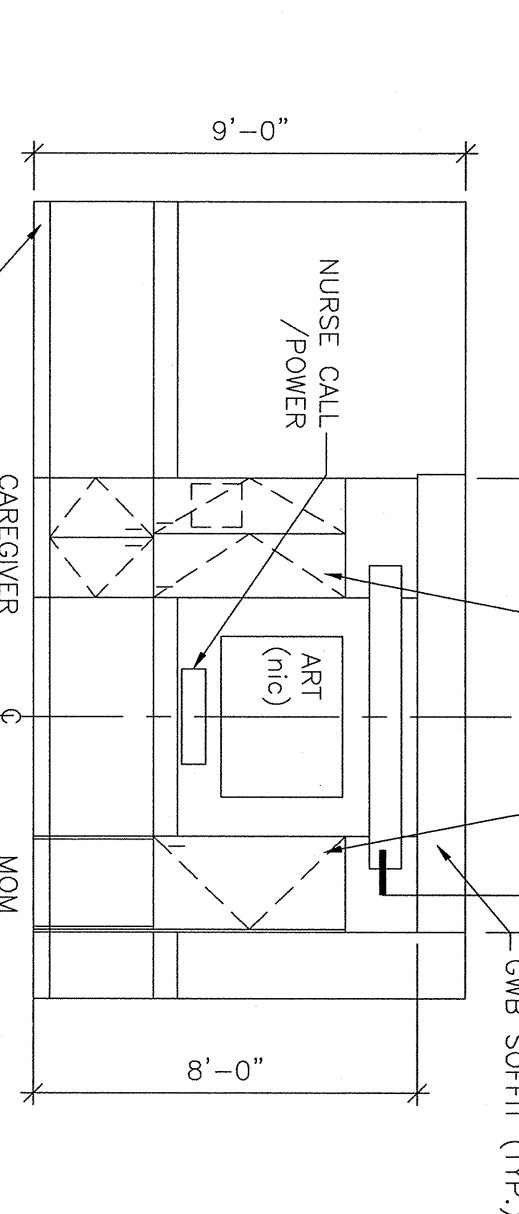
7 OBS. RM-S4012 & S4007
 A8.40 1/4"=1'-0"



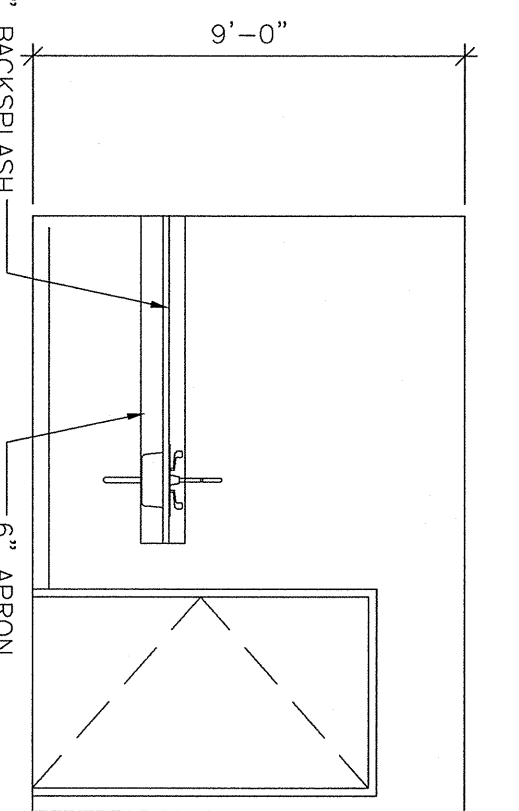
8 OBS. RM-S4012 & S4007
 A8.40 1/4"=1'-0"



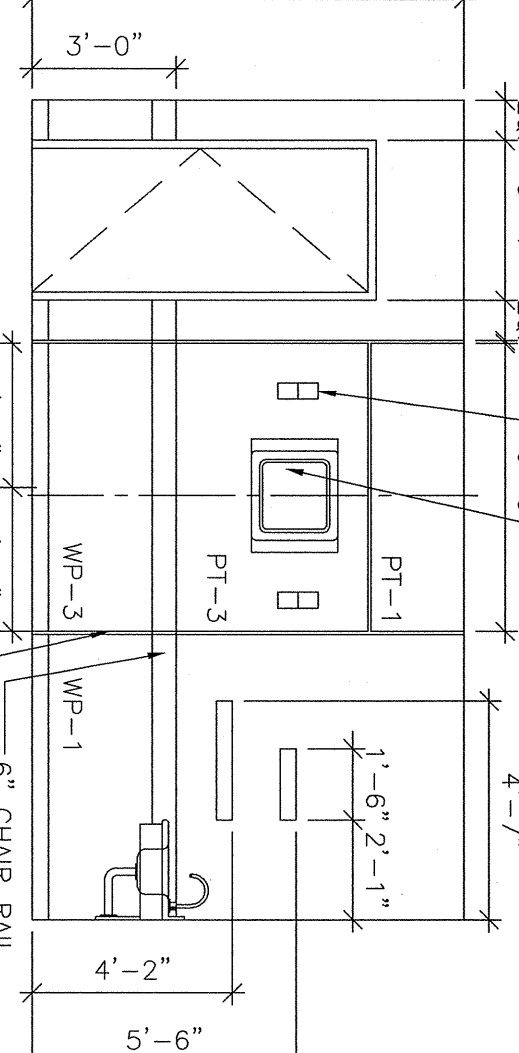
9 OBS. RM-S4012 & S4007
 A8.40 1/4"=1'-0"



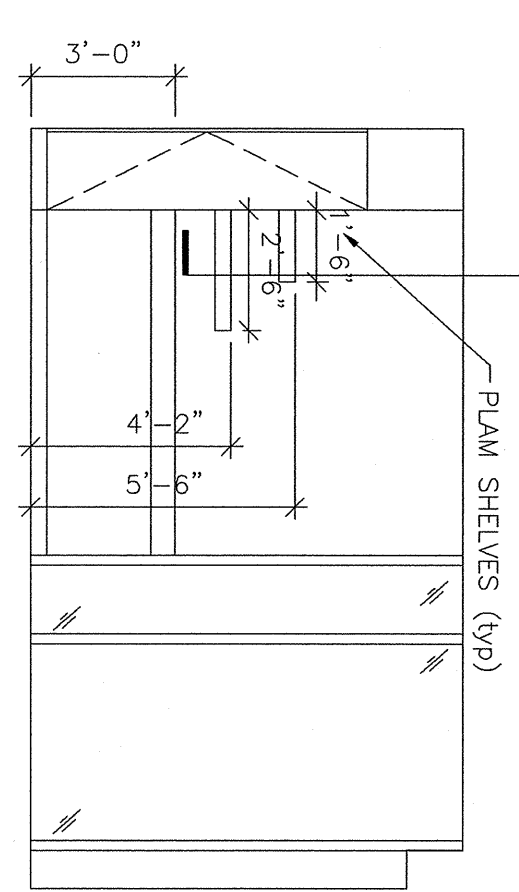
10 OBS. RM-S4012 & S4007
 A8.40 1/4"=1'-0"



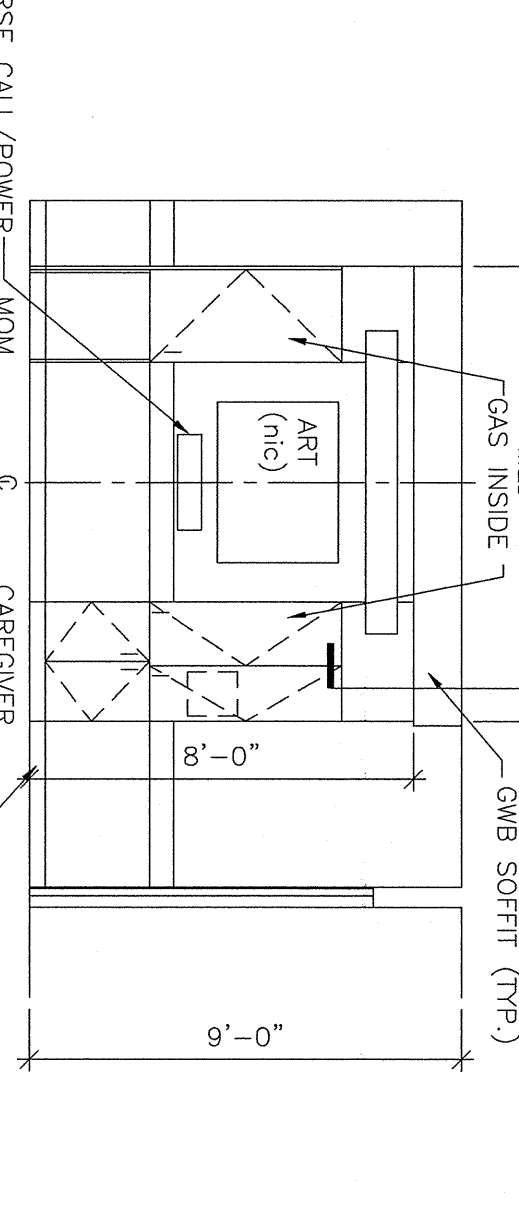
11 OBS. RM-S4012 & S4007
 A8.40 1/4"=1'-0"



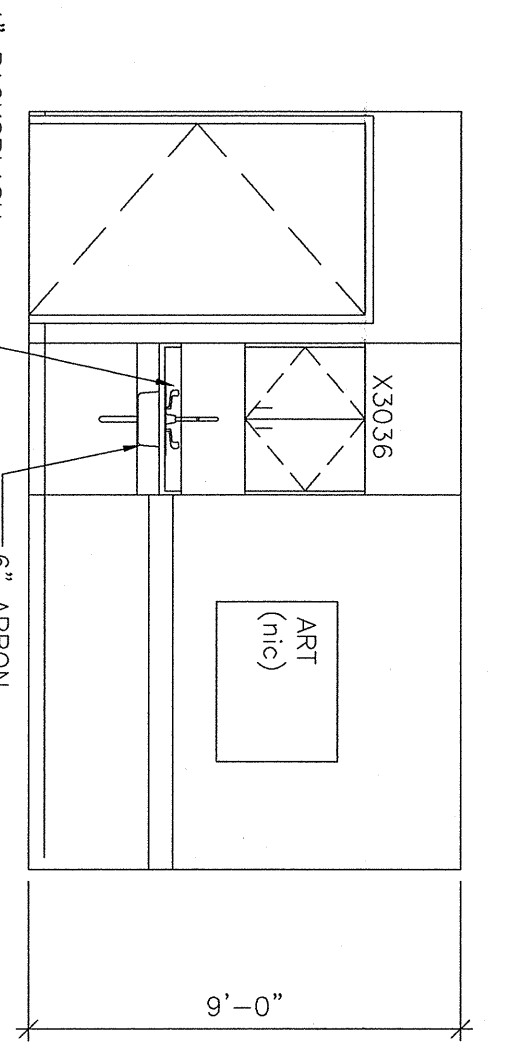
12 OBS. RM-S4012 & S4007
 A8.40 1/4"=1'-0"



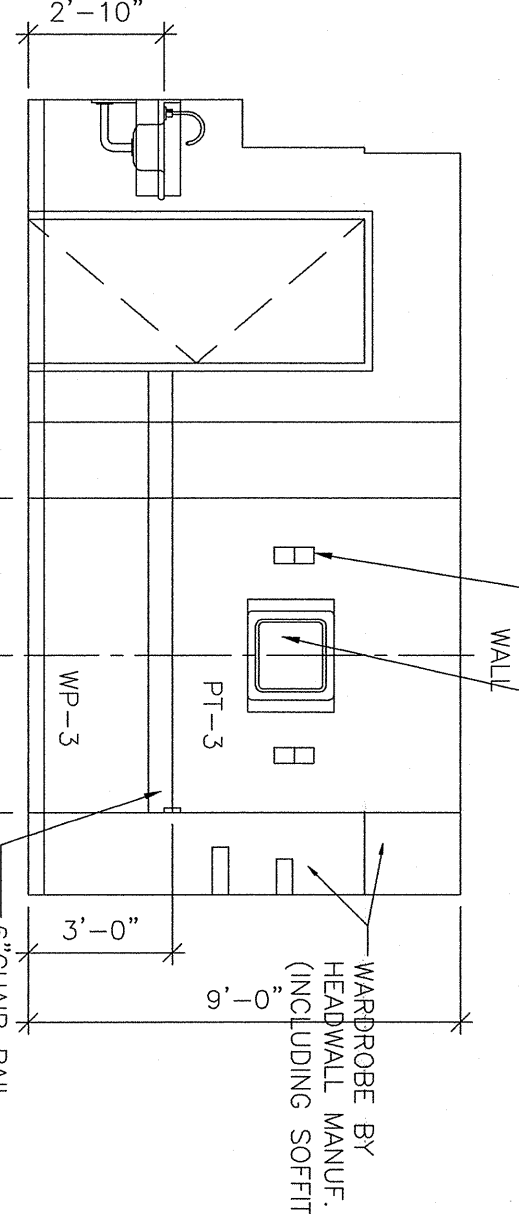
13 ISOLATION RM-S4019(TYP)
 A8.40 1/4"=1'-0"



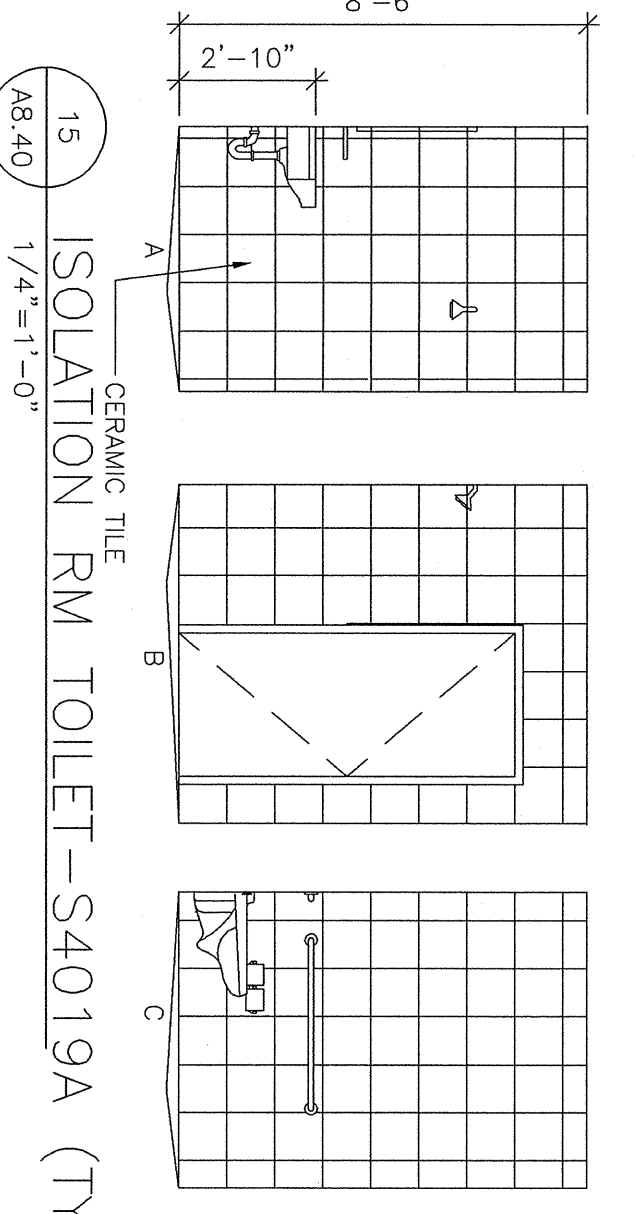
14 ISOLATION RM-S4019(TYP)
 A8.40 1/4"=1'-0"



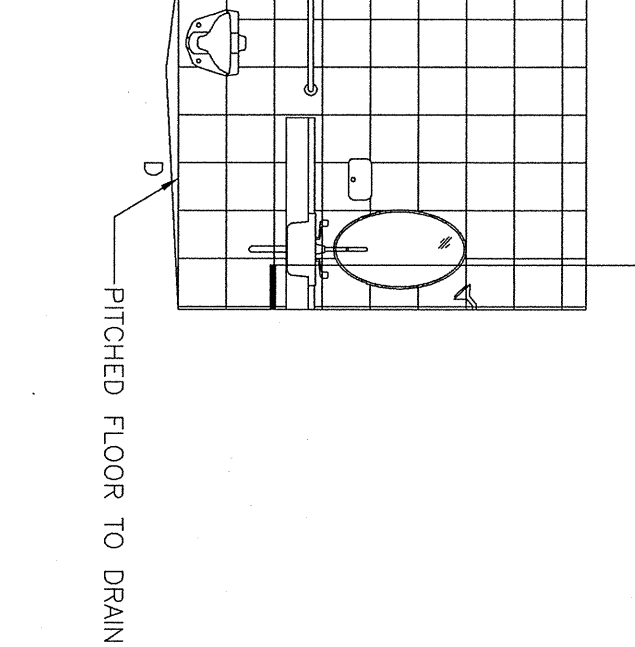
15 ISOLATION RM-S4019(TYP)
 A8.40 1/4"=1'-0"



16 ISOLATION RM-S4019(TYP)
 A8.40 1/4"=1'-0"



17 ISOLATION RM TOILET-S4019A (TYP)
 A8.40 1/4"=1'-0"



18 ISOLATION RM TOILET-S4019A (TYP)
 A8.40 1/4"=1'-0"