

Consultant
 Civil Engineer
 DeLore-Hoffman Associates, Inc.
 726 Main Street, Suite 800
 Philadelphia, PA 19103
 Phone: (207) 775-1121
 Fax: (207) 879-0898

Consultant
 ASSOCIATE ARCHITECT/STRUCTURAL ENGINEER
 SMRT
 5001 New Street P.O. Box 818
 Portland, Maine 04106
 Phone: (207) 772-3846
 Fax: (207) 772-1070

Consultant
 MECHANICAL/ELECTRICAL ENGINEER
 Bond, Root + Aronson Consulting Engineers, LLC
 311 Arsenal Street
 Portland, ME 04102
 Phone: (207) 724-0012
 Fax: (207) 724-0019

Consultant
 EQUIPMENT PLANNING
 M&P/JUL/CLB/CLJ
 1893 General George Patton Drive
 Franklin, Tennessee 37067
 Phone: (615) 376-3114
 Fax: (615) 376-3114

Consultant
 CONSTRUCTION MANAGER
 7 Anderson Walkway
 Providence, RI 02903
 Phone: (401) 456-8906
 Fax: (401) 456-5516

Consultant
 Interior Finish
 Innon-Federovics, LLC
 1808 West End Ave. Suite 1400
 Philadelphia, PA 19103
 Phone: (615) 321-5591
 Fax: (615) 321-5689

Date
 11/10/06 FINAL - ISSUE FOR BID
 Drawn By
 MAF/JUL/CLB/CLJ
 Scale
 AS NOTED

Francis
 Cauffman

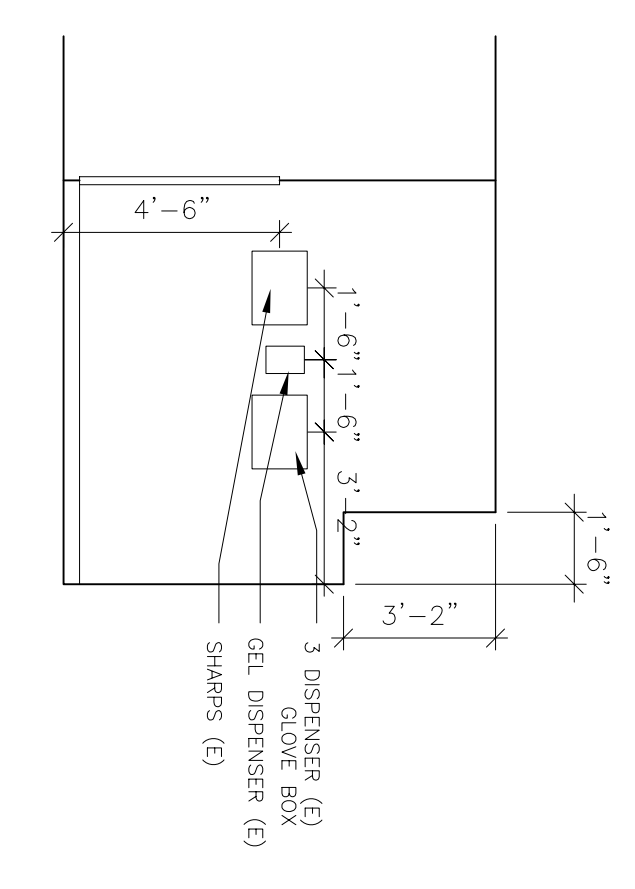
Foley
 Hoffmann

Project Title
 Mercy Health Core
 System of Maine
 FORE RIVER SHORT
 STAY HOSPITAL

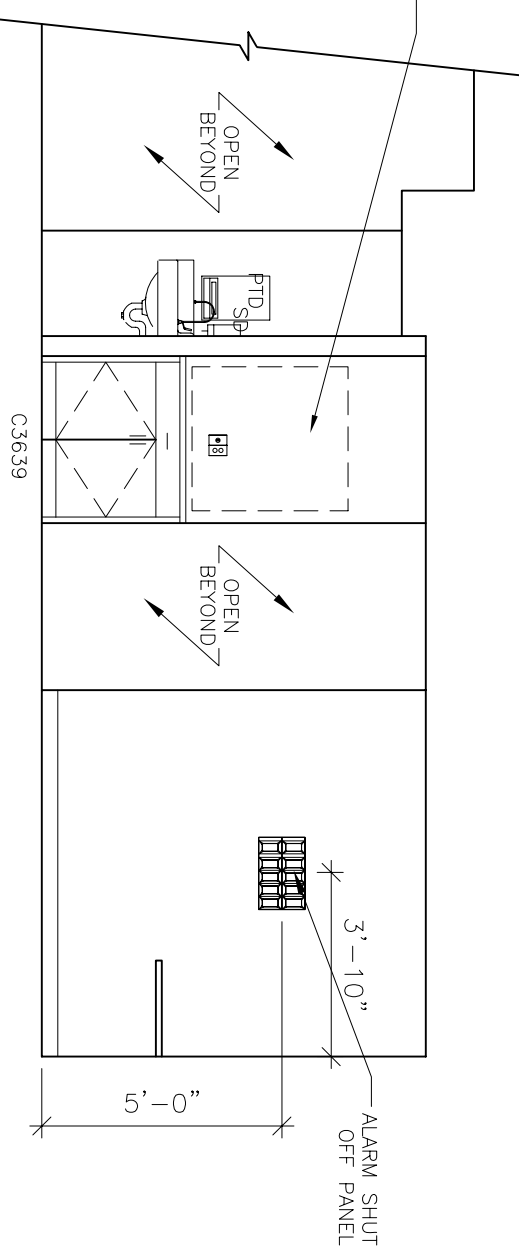


Project Number
 F05-4898
 Drawing Title Number
 Second Floor Surgical Suite
 Interior Elevations PACU/ACU

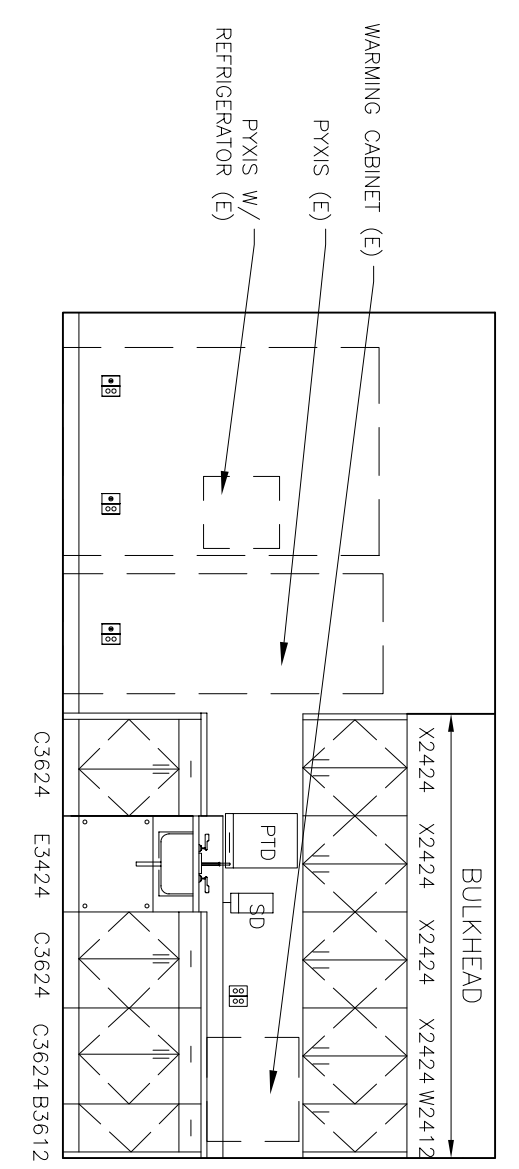
A8.21



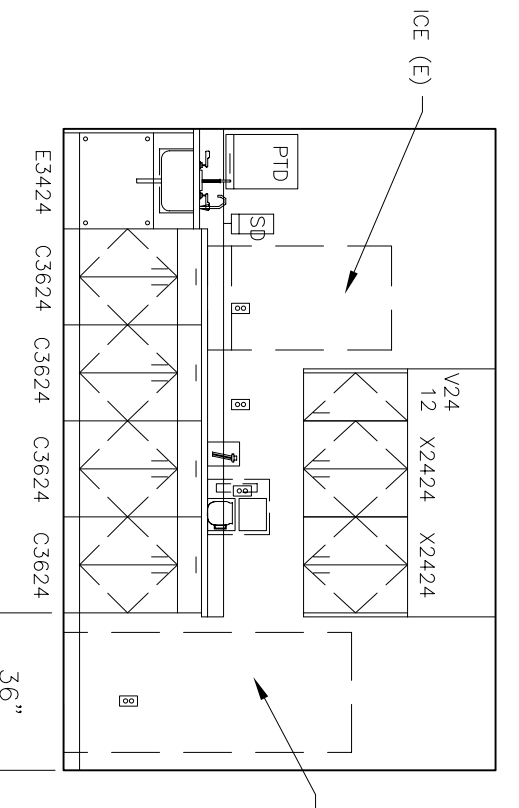
5 ACU BAY
 1/4"=1'-0"



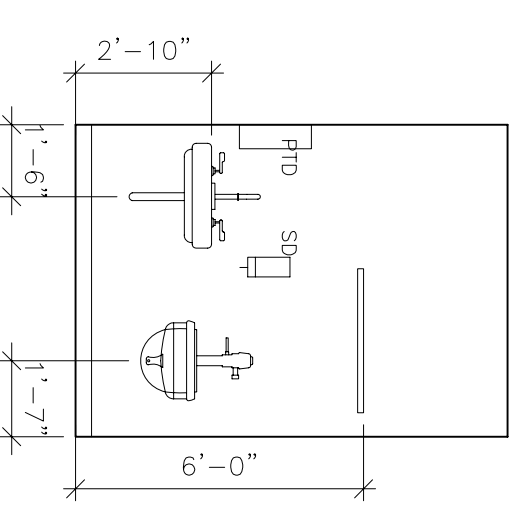
4 NURSES STATION
 1/4"=1'-0"



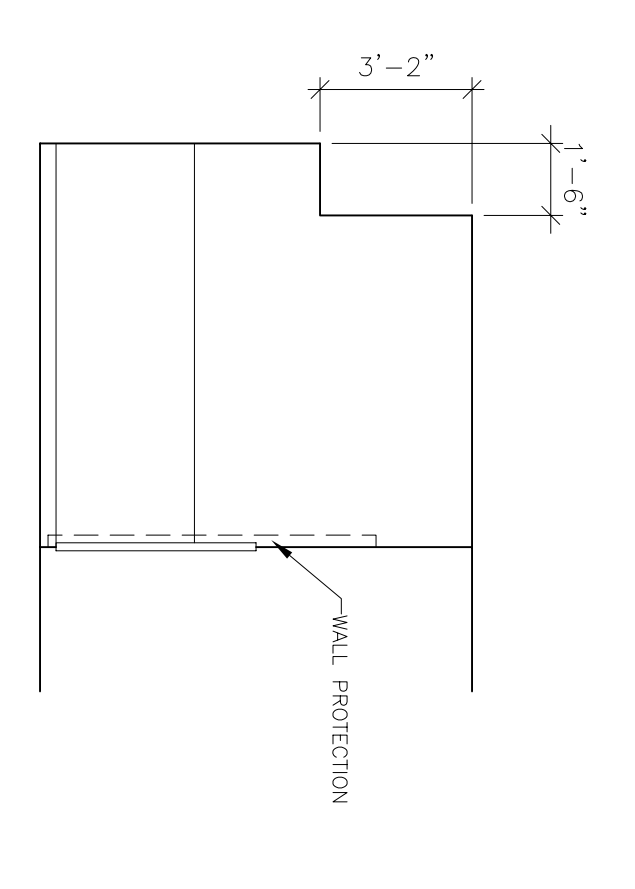
3 CLEAN ROOM
 1/4"=1'-0"



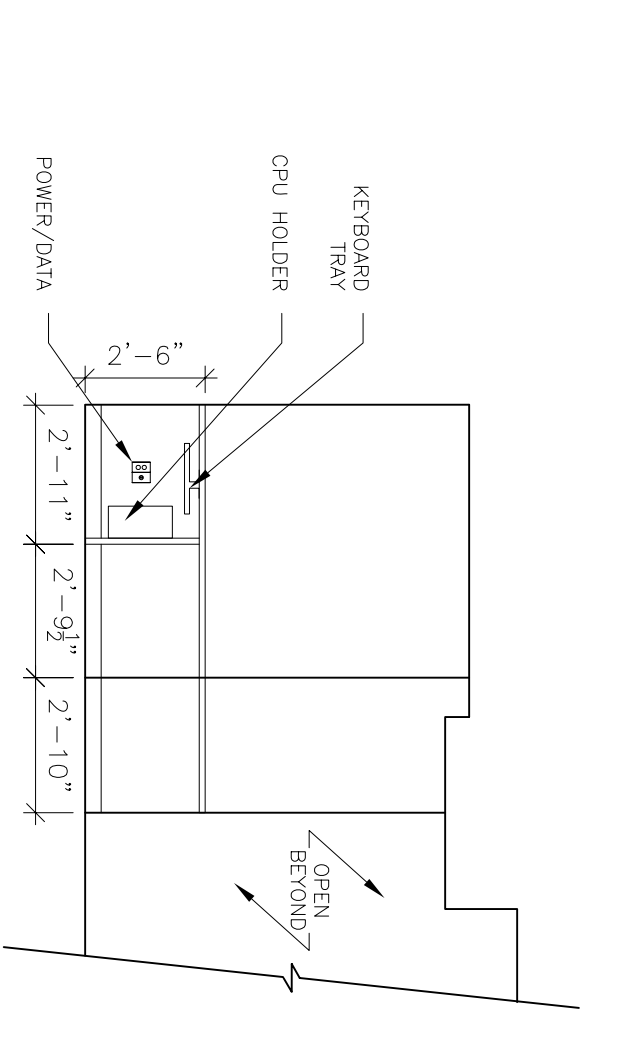
2 PANTRY
 1/4"=1'-0"



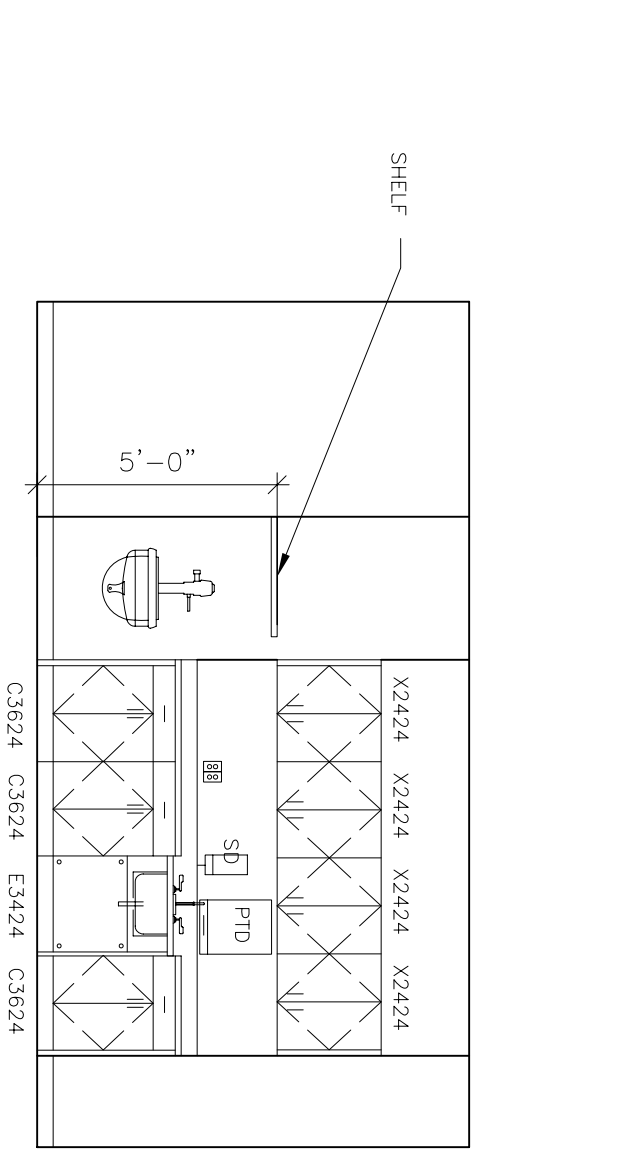
1 ANTE ROOM
 1/4"=1'-0"



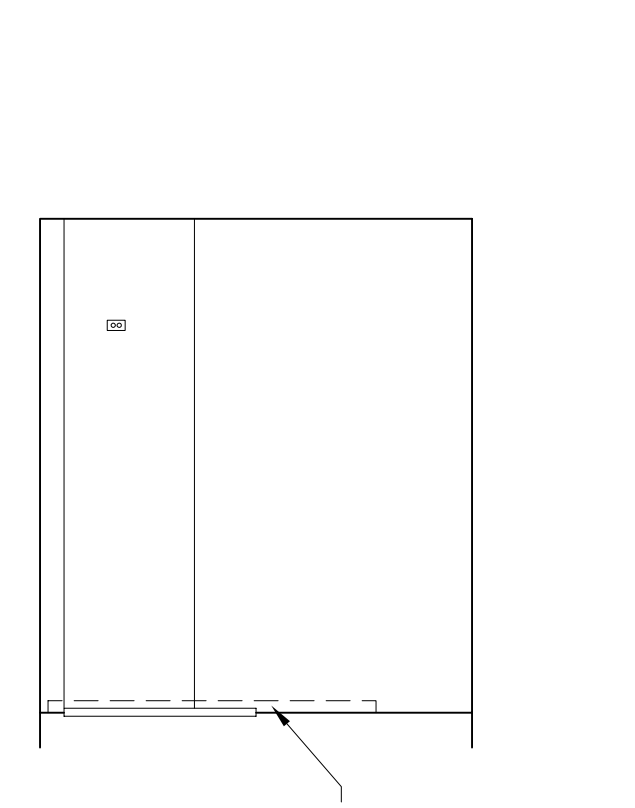
10 ACU BAY
 1/4"=1'-0"



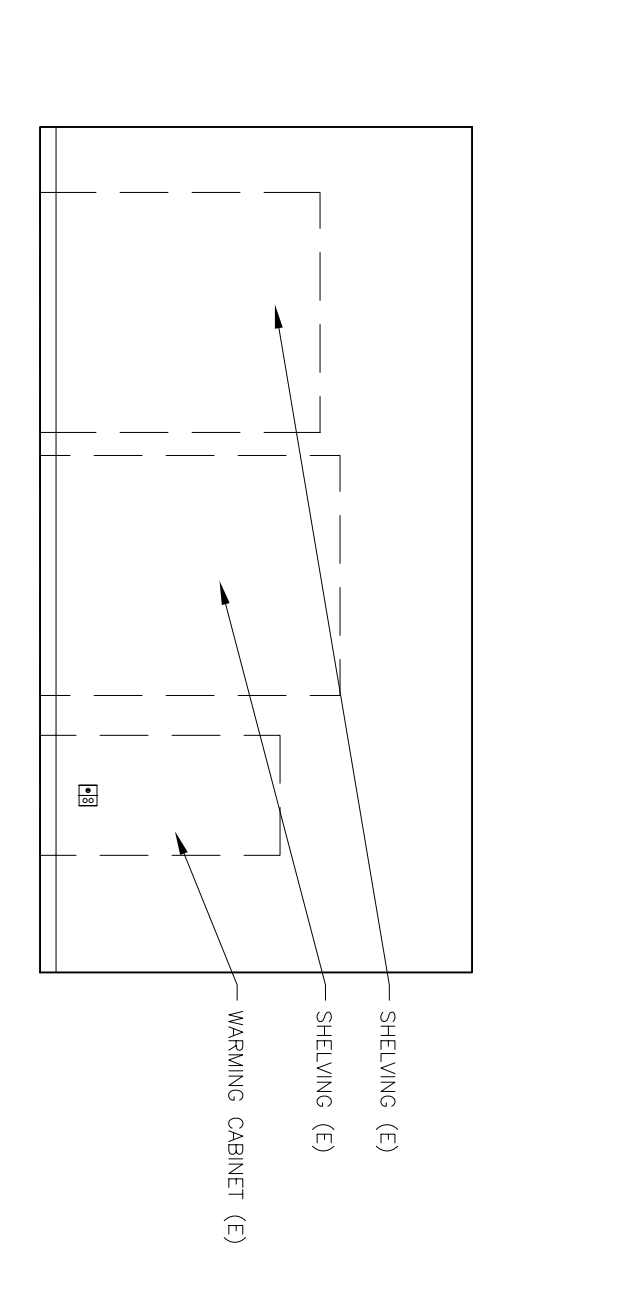
9 NURSES STATION
 1/4"=1'-0"



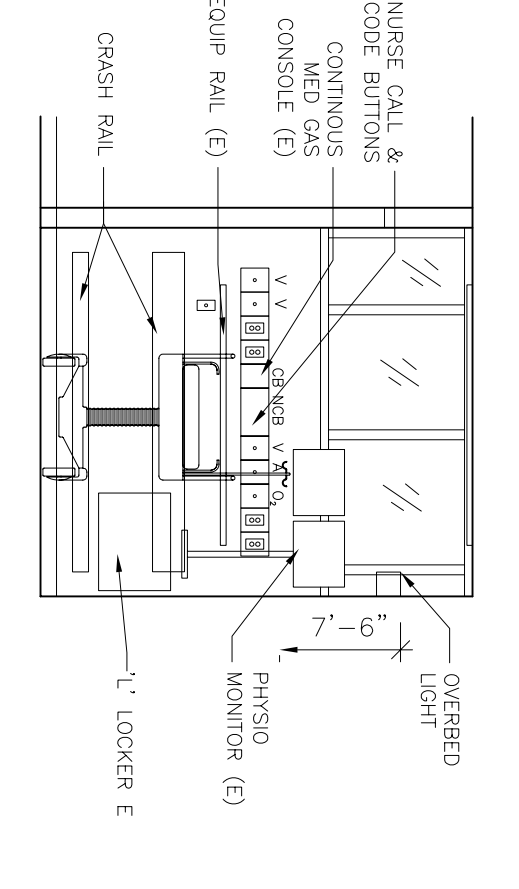
8 SOILED UTILITY
 1/4"=1'-0"



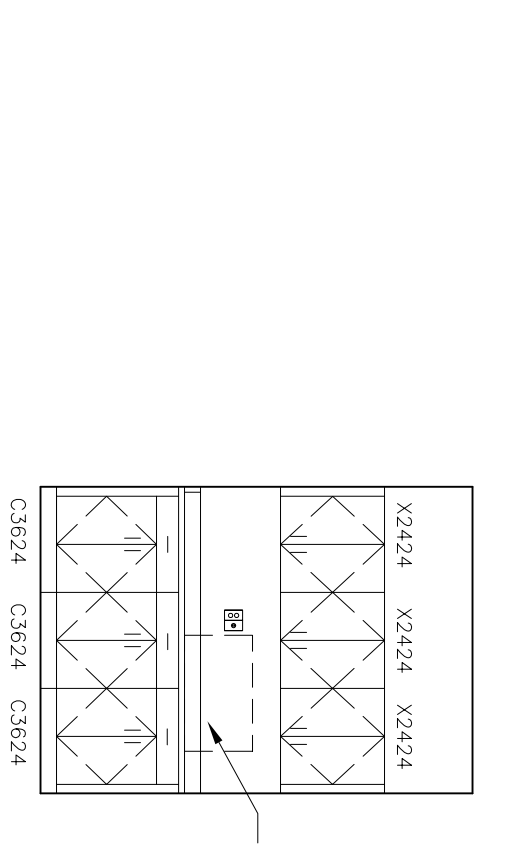
7 PACU BAY
 1/4"=1'-0"



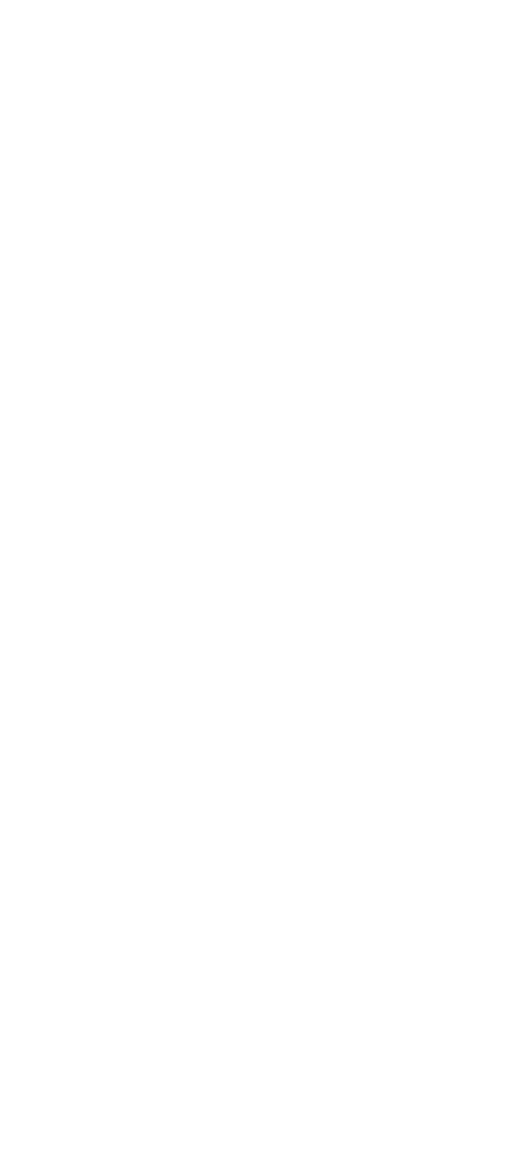
6 CLEAN ROOM
 1/4"=1'-0"



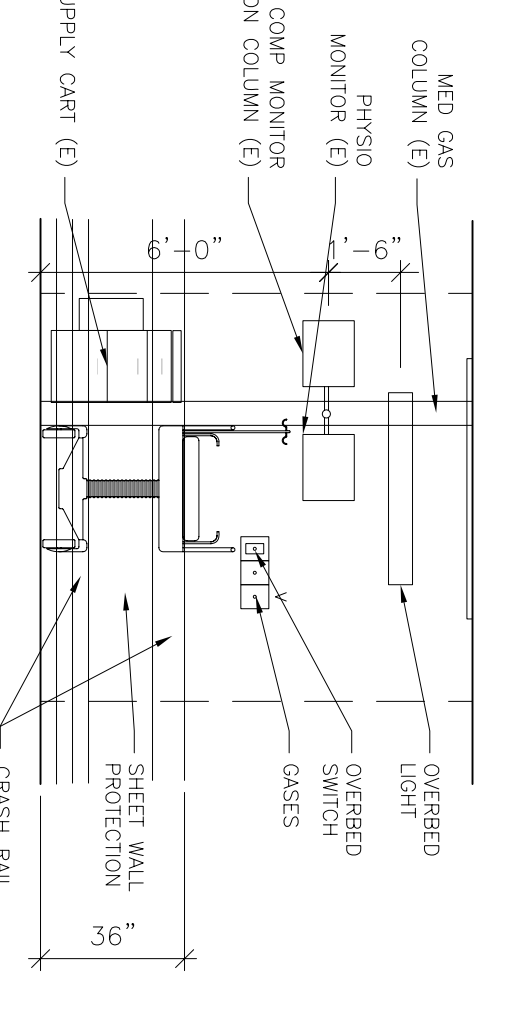
15 ACU BAY
 1/4"=1'-0"



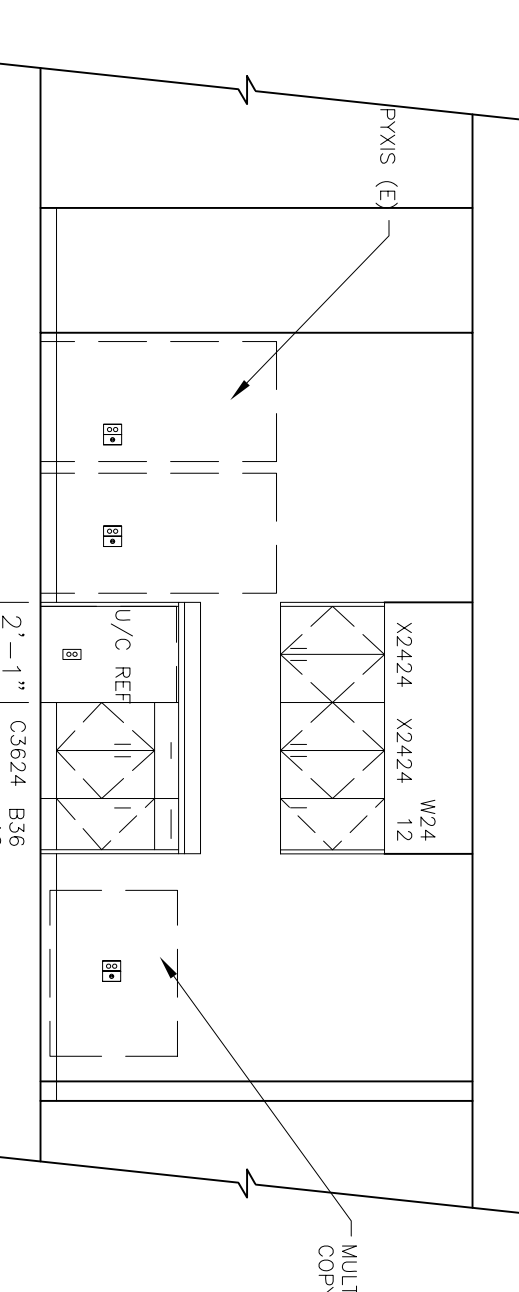
14 NURSES STATION
 1/4"=1'-0"



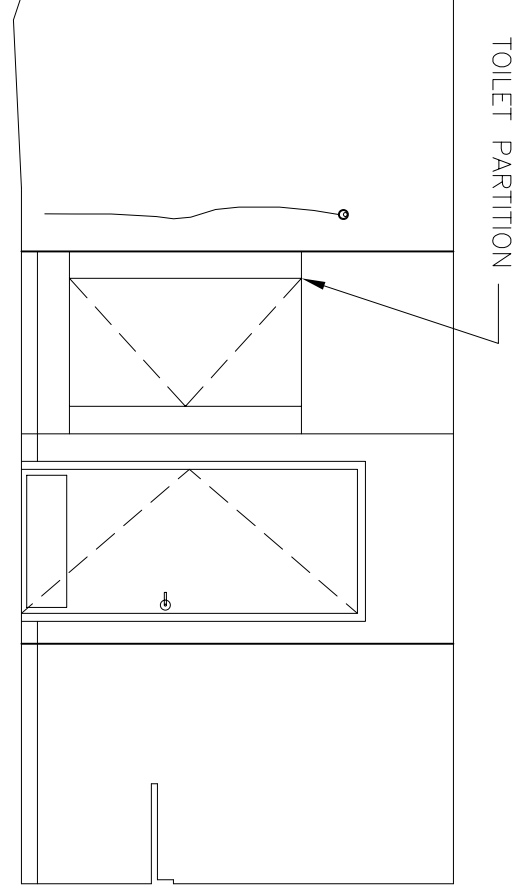
13 NOT USED
 1/4"=1'-0"



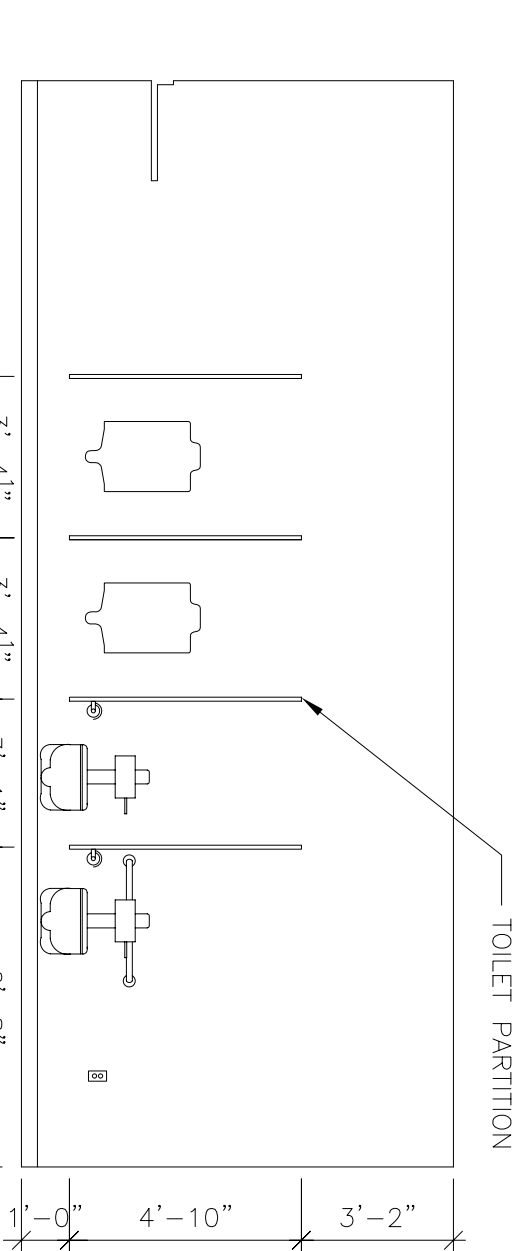
12 PACU BAY
 1/4"=1'-0"



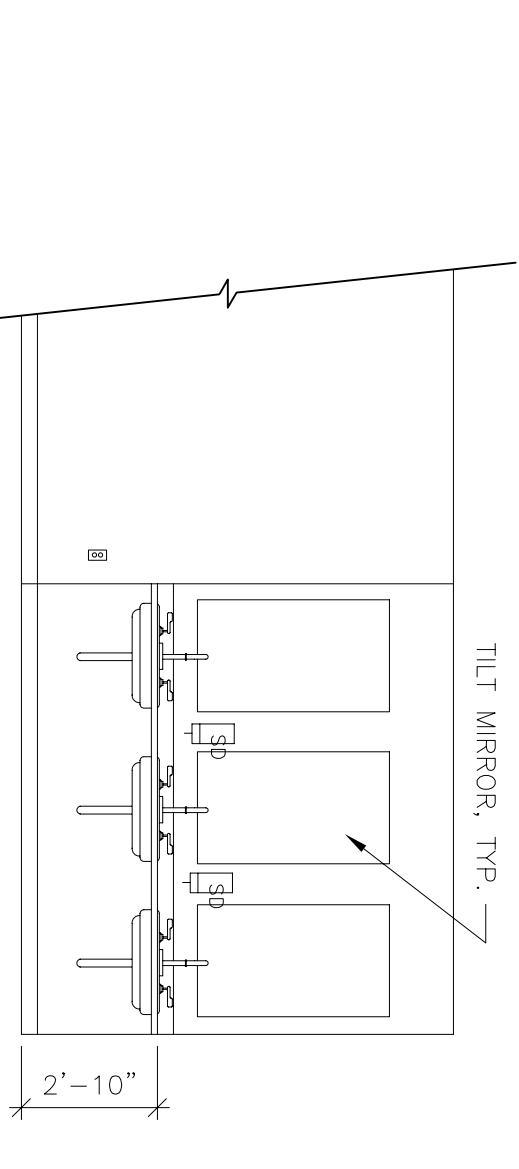
11 NURSES STATION
 1/4"=1'-0"



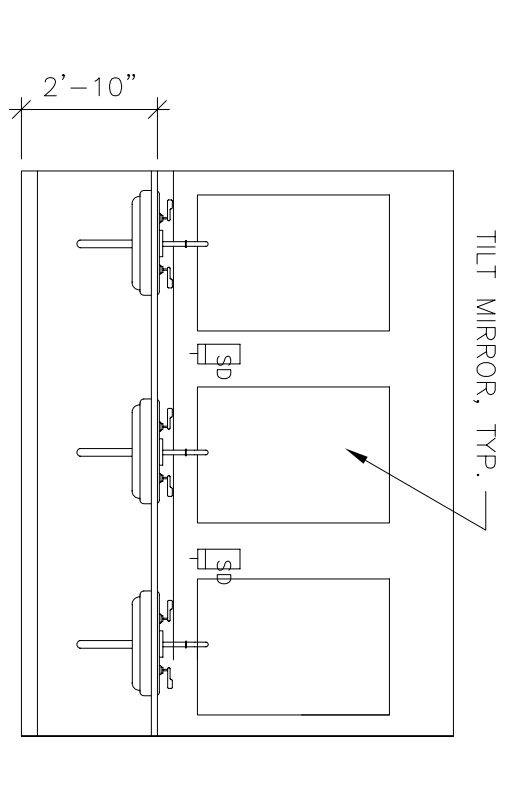
20 WOMEN'S TOILET
 1/4"=1'-0"



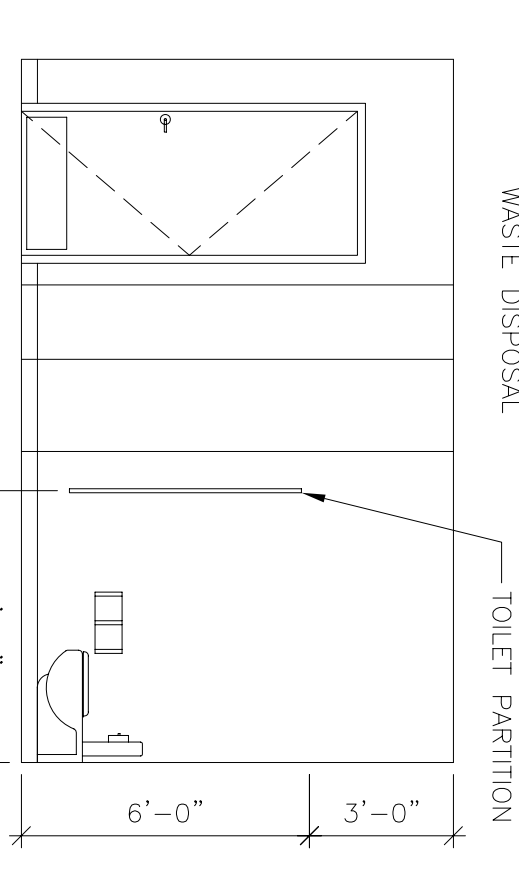
19 MEN'S TOILET
 1/4"=1'-0"



18 WOMEN'S TOILET
 1/4"=1'-0"



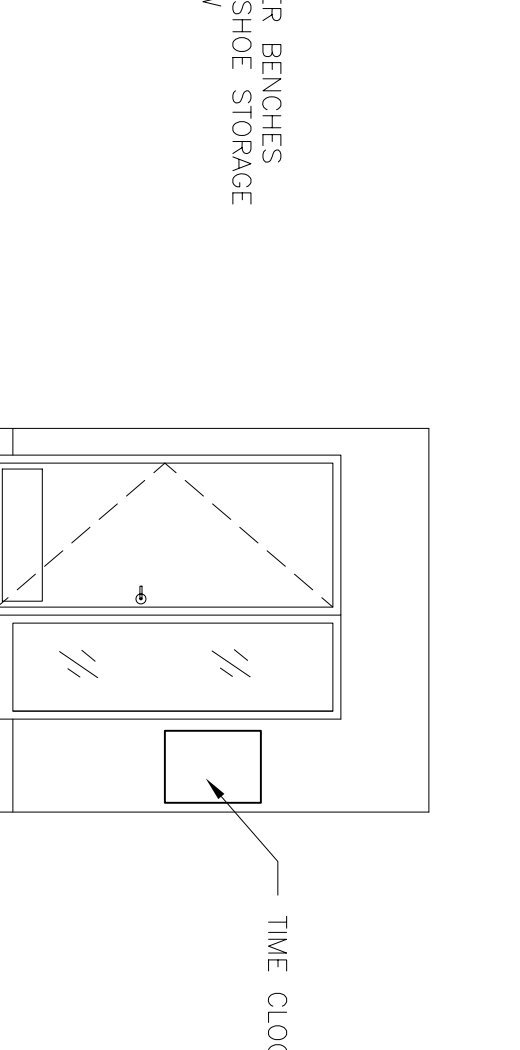
17 MEN'S TOILET
 1/4"=1'-0"



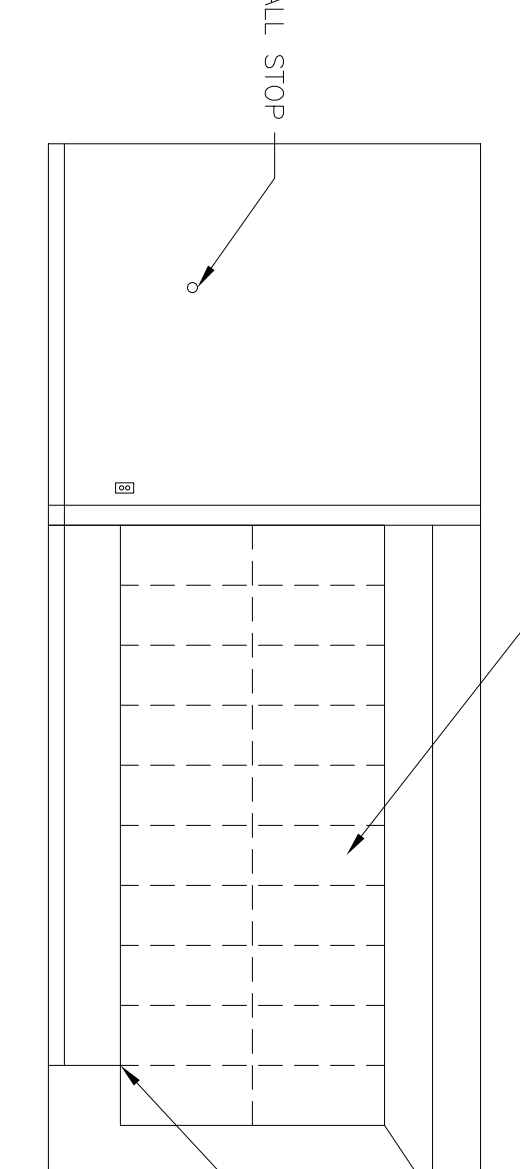
16 WOMEN'S TOILET
 1/4"=1'-0"



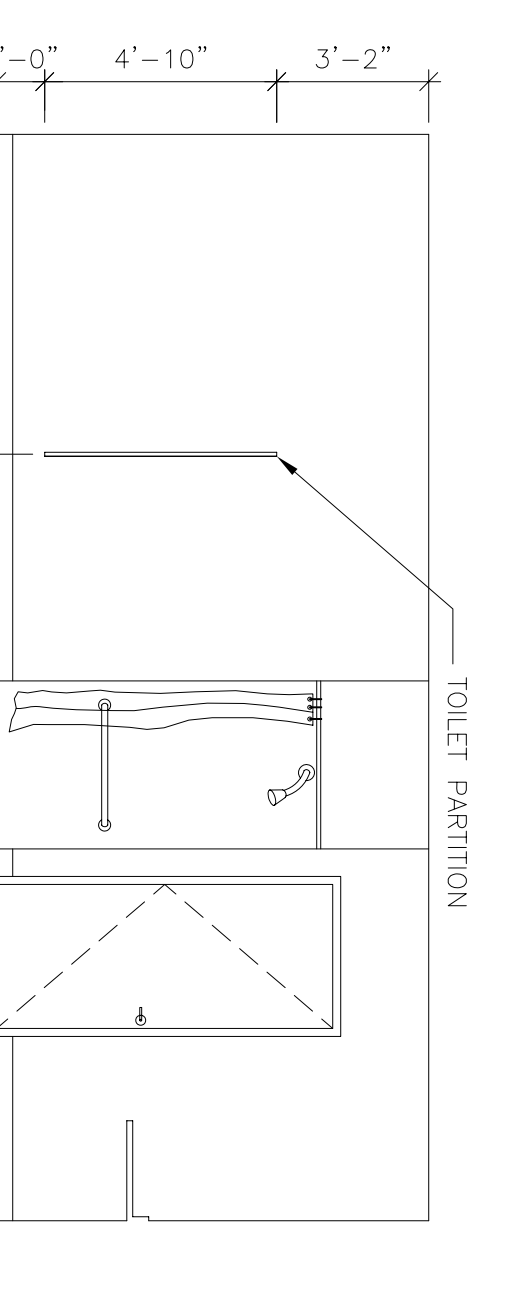
24 COATS
 1/4"=1'-0"



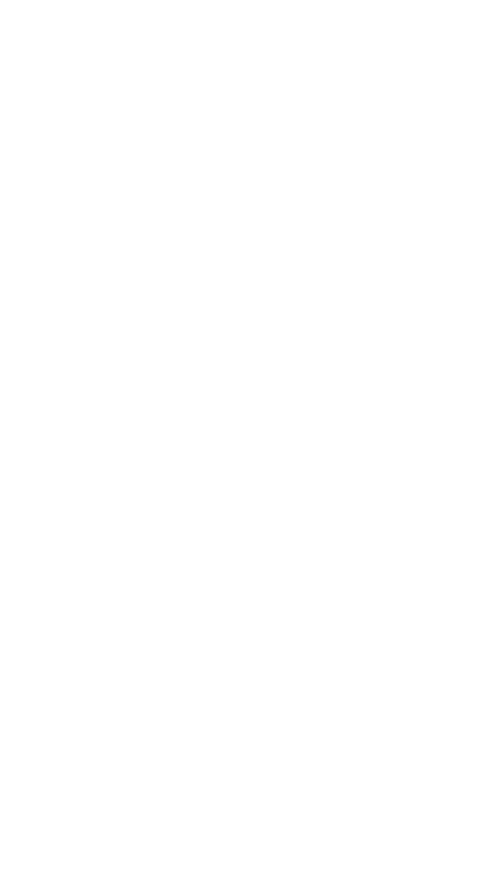
23 LOCKERS - TYP.
 1/4"=1'-0"



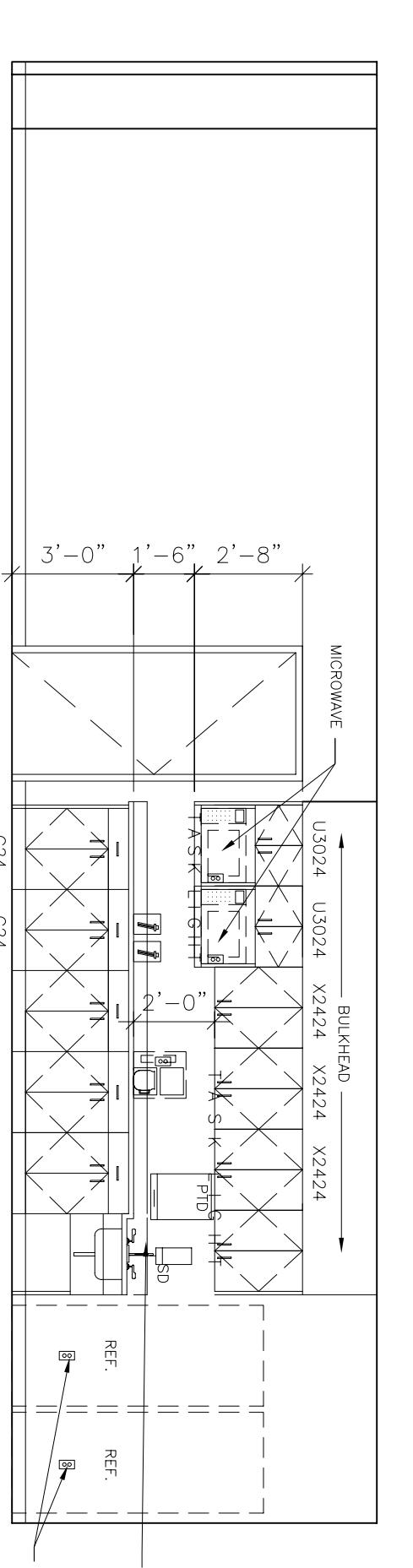
22 COATS
 1/4"=1'-0"



21 MEN'S TOILET
 1/4"=1'-0"



26 DOCTOR LOUNGE
 1/4"=1'-0"



25 STAFF LOUNGE
 1/4"=1'-0"