

CH2M HILL
 Project Director
 Delaney-Hoffman Associates, Inc.
 726 Robinson Street, Suite 816
 Philadelphia, PA 19103
 Phone: (207) 775-1121
 Fax: (207) 879-0898

Consultant
 ASSOCIATE ARCHITECT/STRUCTURAL ENGINEER
 SMART
 300 North Street P.O. Box 818
 Portland, Maine 04104
 Phone: (207) 772-3846
 Fax: (207) 772-1070

Consultant
 MECHANICAL/ELECTRICAL ENGINEER
 BOND, BOON & ARNONE CONSULTING ENGINEERS, LLC
 311 Arsenal Street, 5th Floor
 Philadelphia, PA 19106
 Phone: (215) 254-0011
 Fax: (215) 254-0010

Consultant
 EQUIPMENT PLANNING
 HANCOCK
 1893 General George Patton Drive
 Franklin, Tennessee 37067
 Phone: (615) 276-3114
 Fax: (615) 276-3114

Consultant
 CONSTRUCTION MANAGER
 DELANEY-HOFFMAN ASSOCIATES, INC.
 7 Anderson Walkway
 Philadelphia, PA 19103
 Phone: (215) 456-8906
 Fax: (401) 456-5516

Consultant
 INTERIOR DESIGNER
 HANCOCK
 1808 West End Ave. Suite 1400
 Philadelphia, PA 19103
 Phone: (615) 321-5591
 Fax: (615) 321-5689

The responsibility of the Consultant Manager/General Contractor and all other parties involved in the design and construction of this project is subject to the terms and conditions of prior work by related codes before proceeding with any work.

Date: 11/10/06 FINAL - ISSUE FOR BID

Drawn By: MAF/JUL/CLB/OLJ
 Scale: AS NOTED

Francis

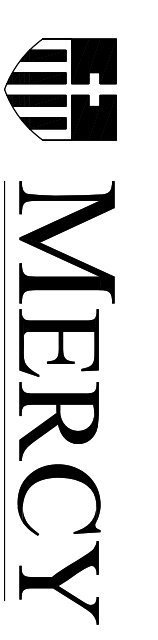
Cauffman

Foley

Hoffmann

Project: 2120 Ark Street
 Philadelphia, PA 19103
 Architects: 215-568-8250

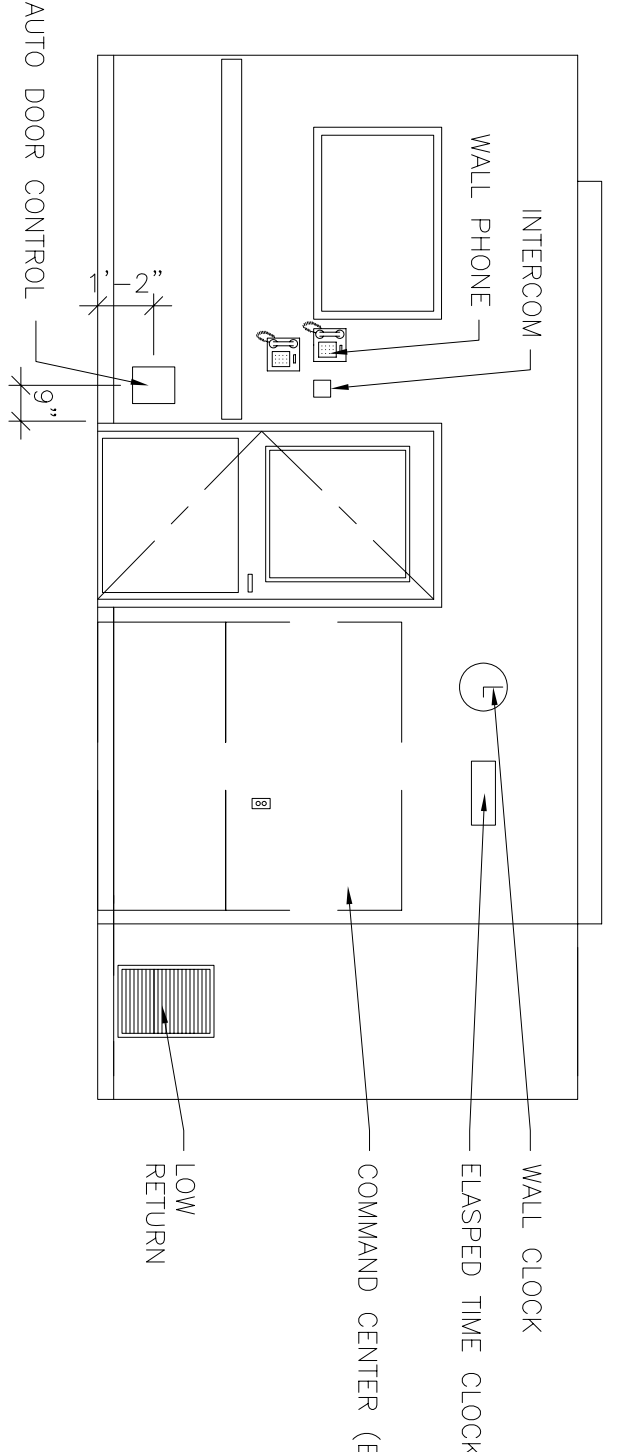
Project Title
 Mercy Health Core
 System of Maine
 FORE RIVER SHORT
 STAY HOSPITAL



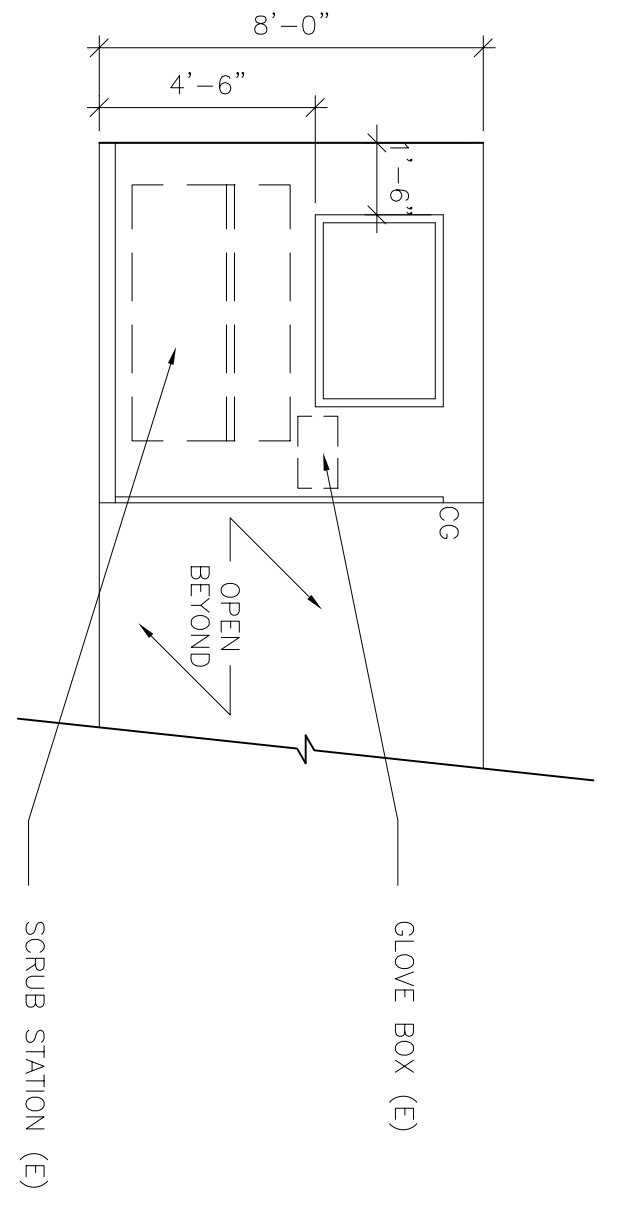
Project Number
 F05-4898

Drawing Title Number
 Second Floor, Surgical Suite
 Interior Elevations

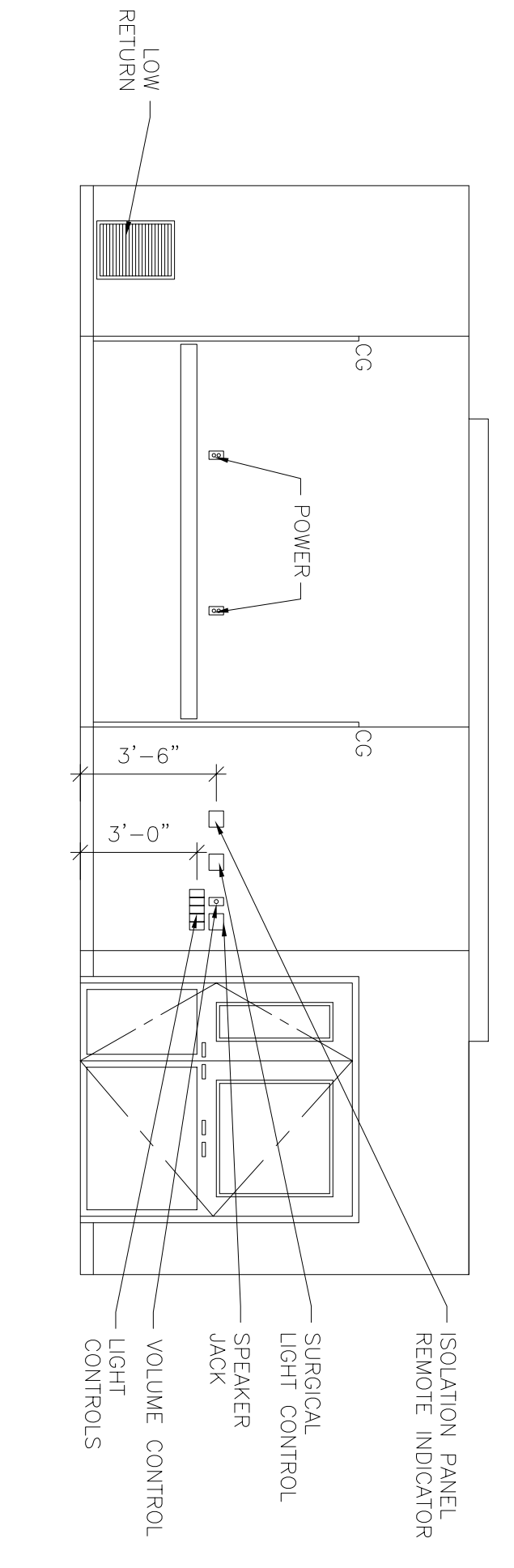
A8.20



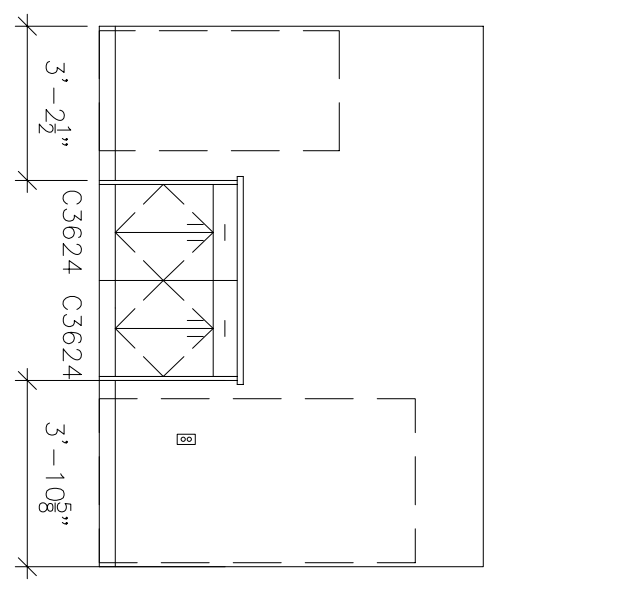
1 TYP. OPERATING ROOM
 1/4"=1'-0"



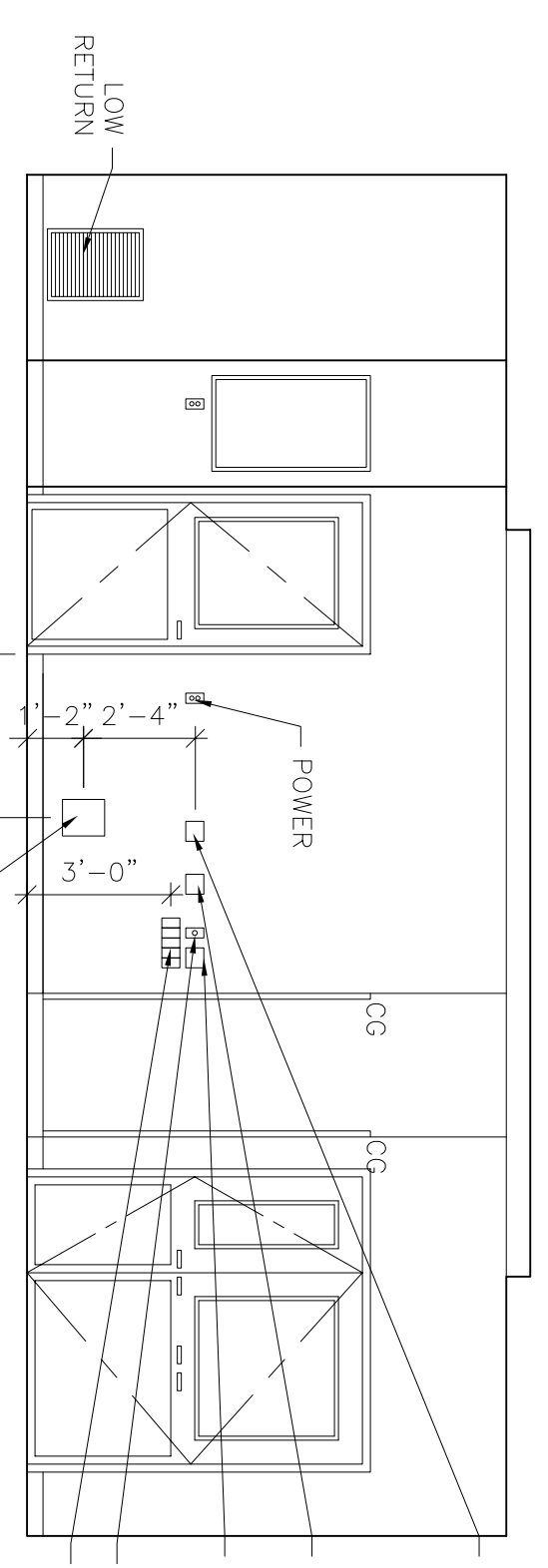
2 TYP. SCRUB ALCOVE
 1/4"=1'-0"



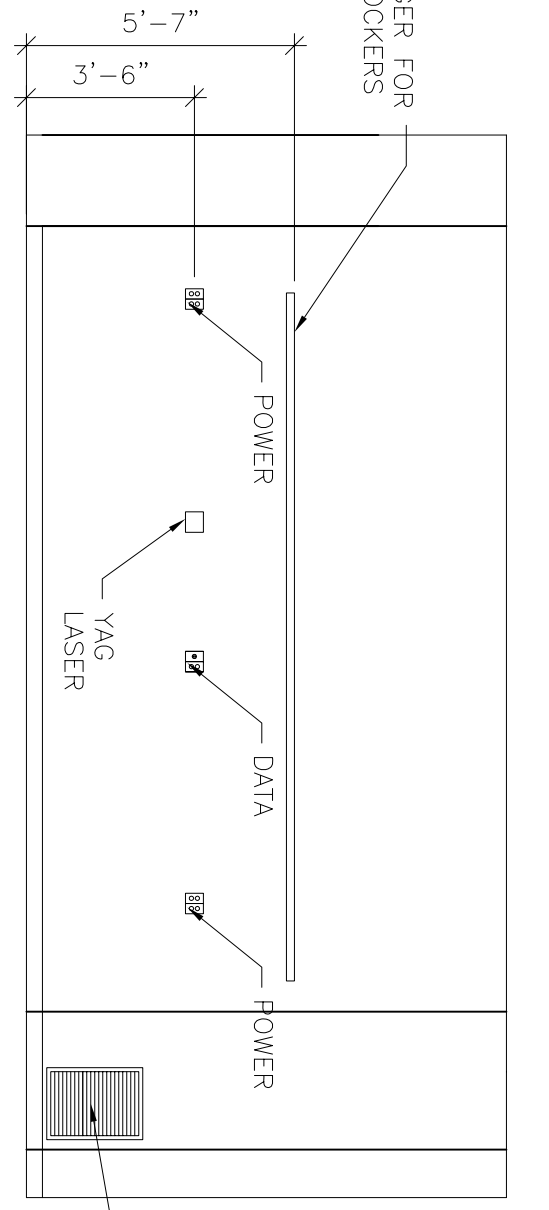
3 TYP. OPERATING ROOM
 1/4"=1'-0"



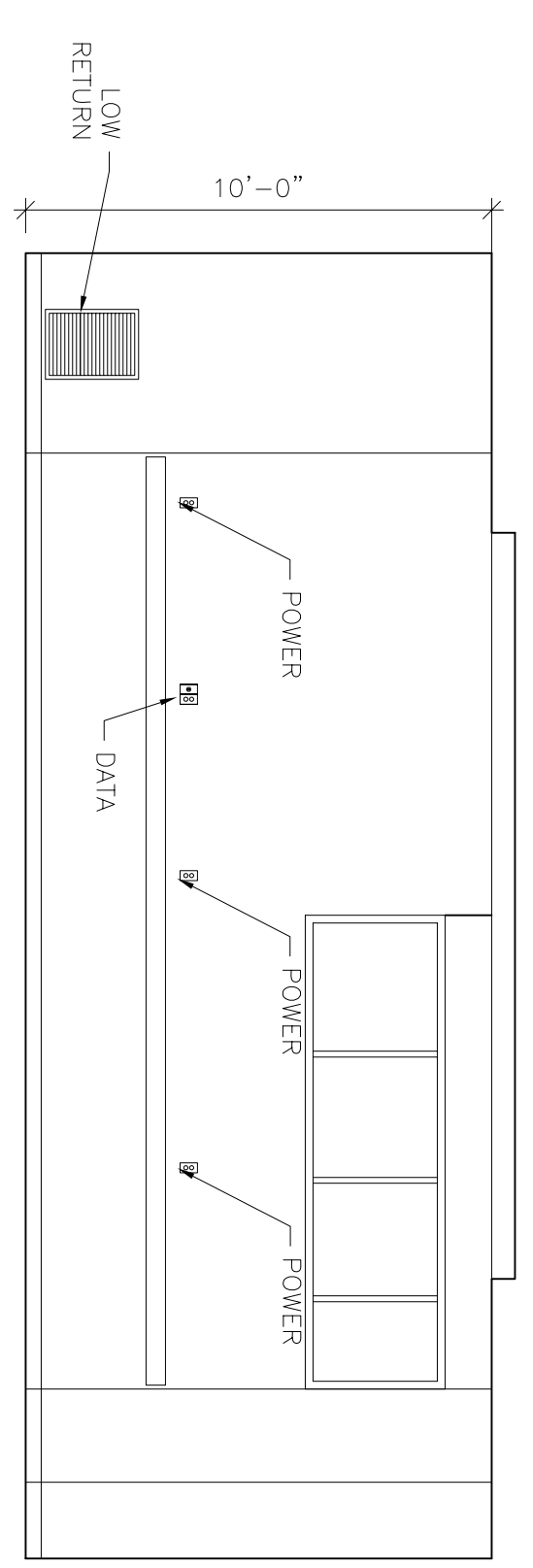
4 TYP. SUB-STERILE
 1/4"=1'-0"



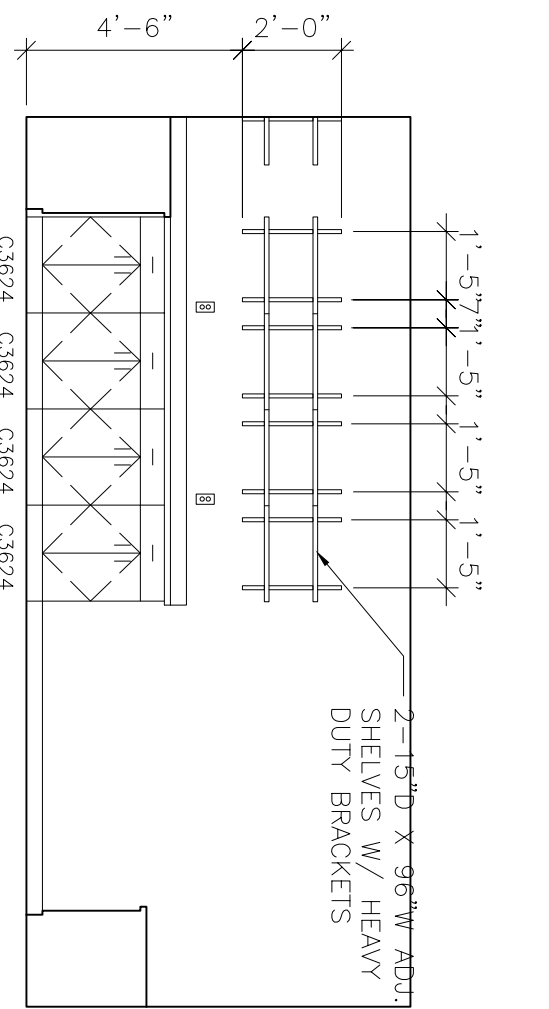
5 TYP. OPERATING ROOM
 1/4"=1'-0"



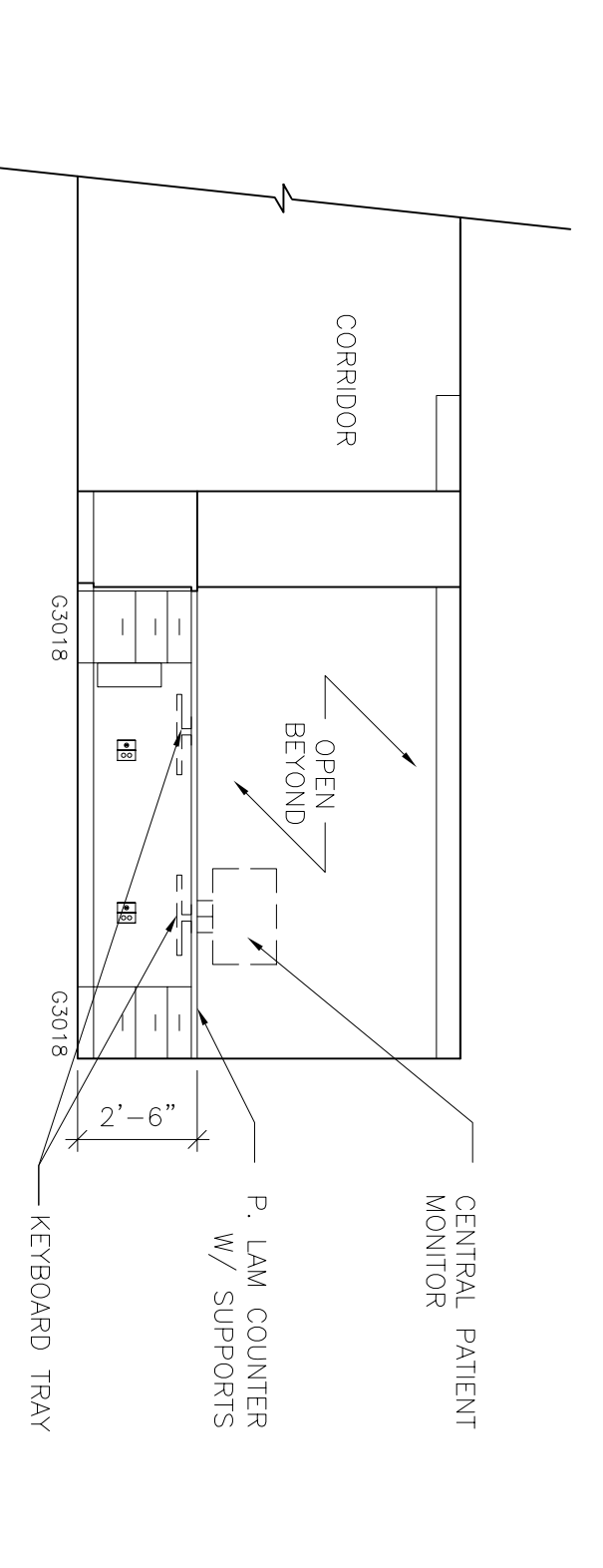
6 TYP. OPERATING ROOM
 1/4"=1'-0"



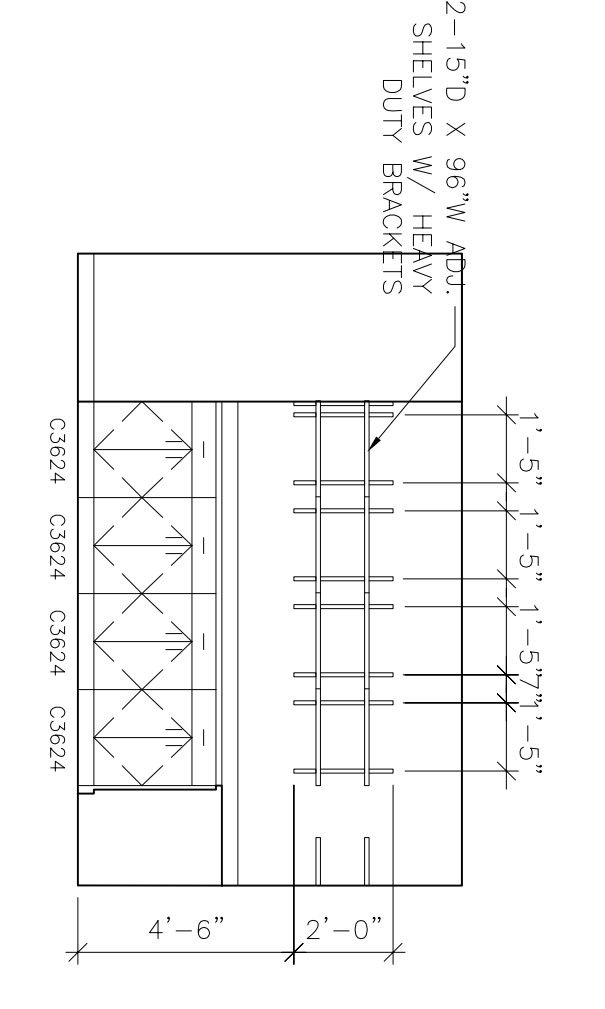
7 TYP. OPERATING ROOM
 1/4"=1'-0"



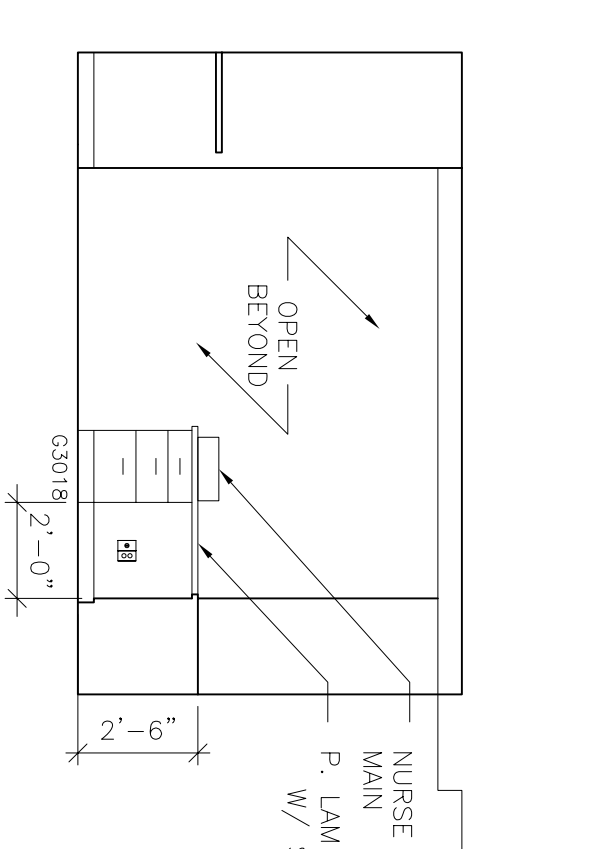
8 ANESTH. WORKROOM
 1/4"=1'-0"



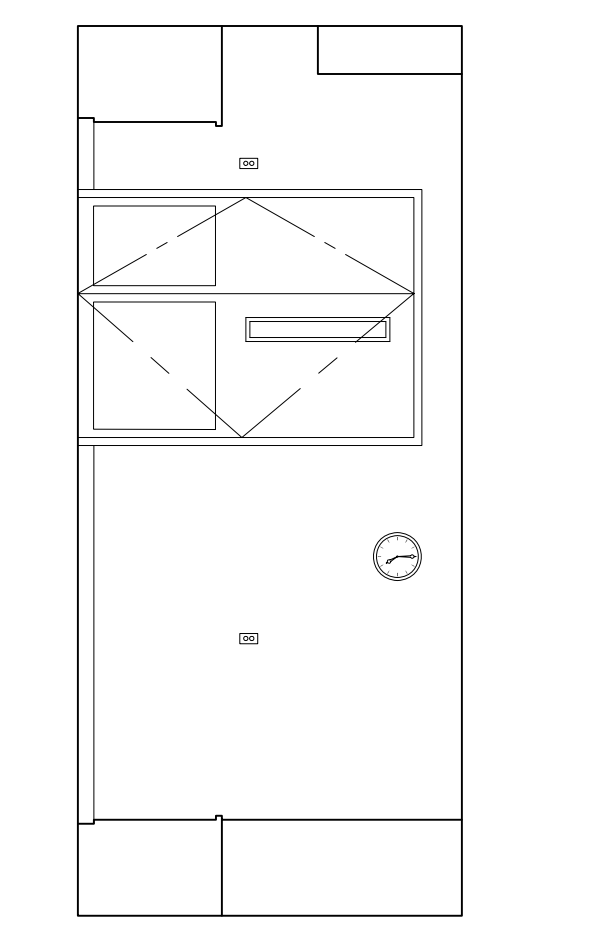
9 UNIT CLERK
 1/4"=1'-0"



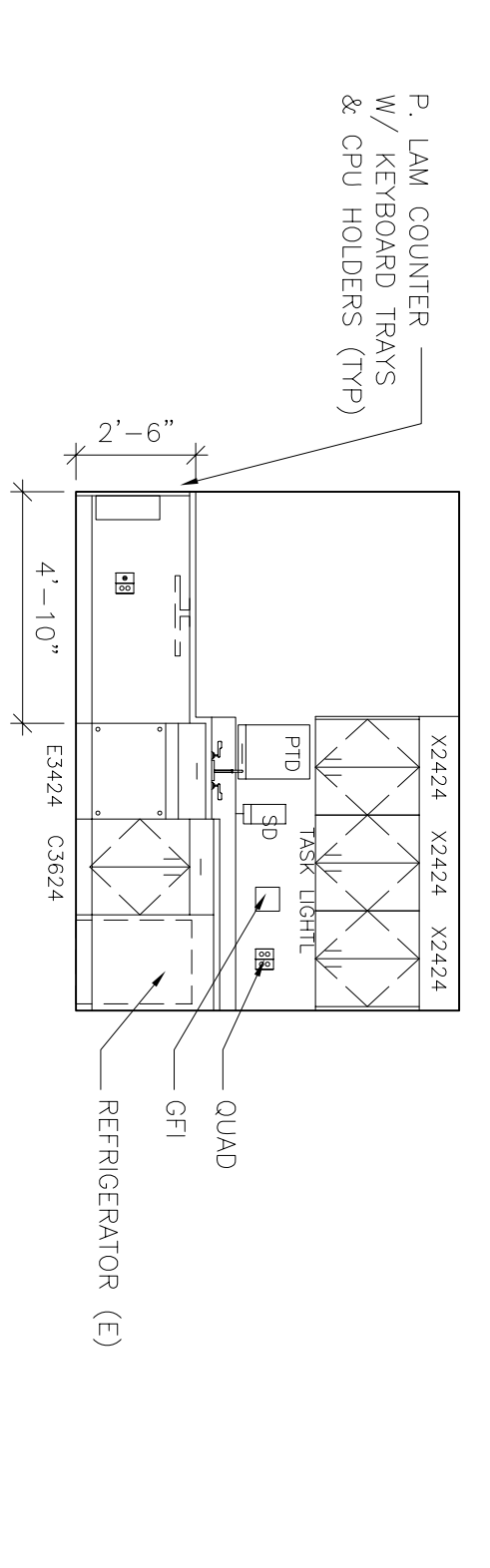
10 ANESTH. WORKROOM
 1/4"=1'-0"



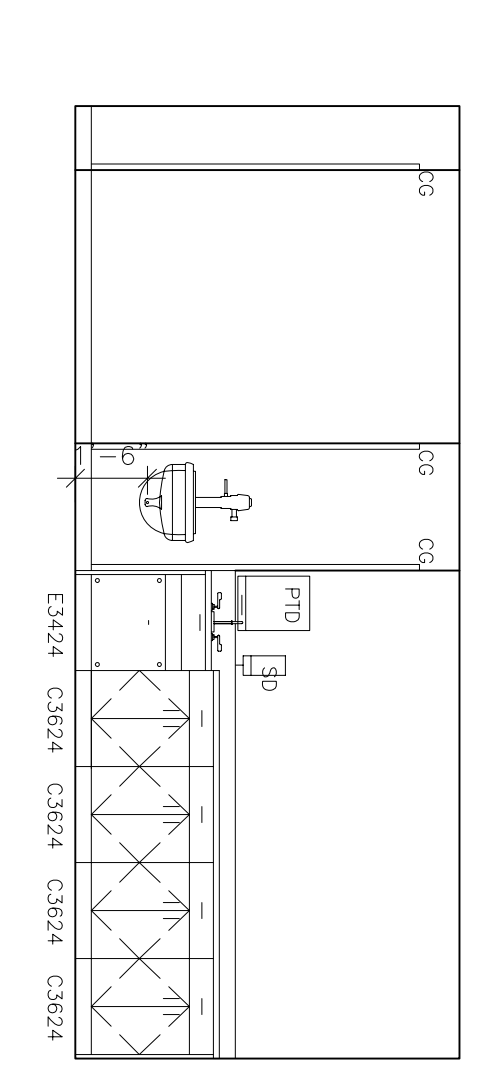
11 UNIT CLERK
 1/4"=1'-0"



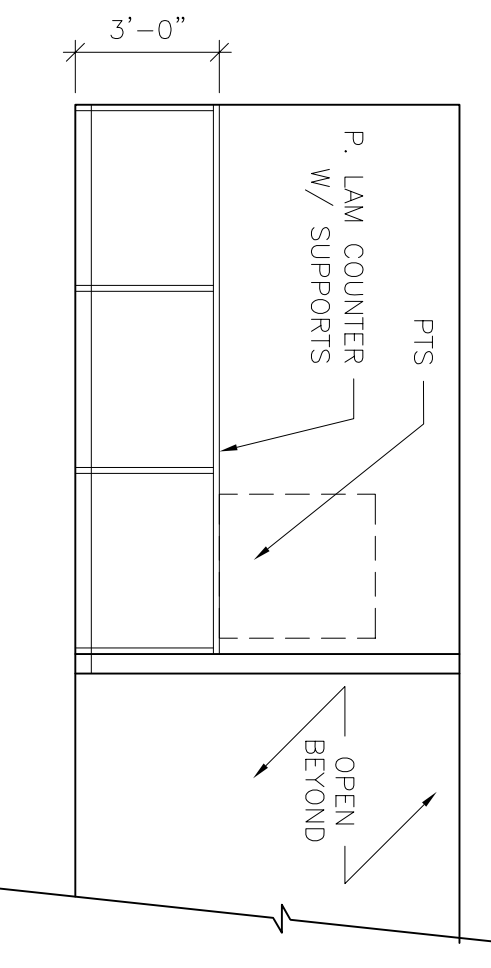
12 ANESTH. WORKROOM
 1/4"=1'-0"



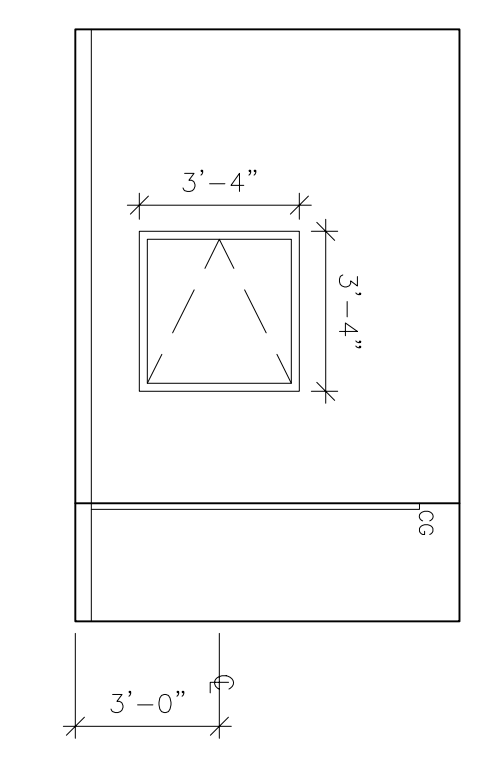
13 ANESTH. WORKROOM
 1/4"=1'-0"



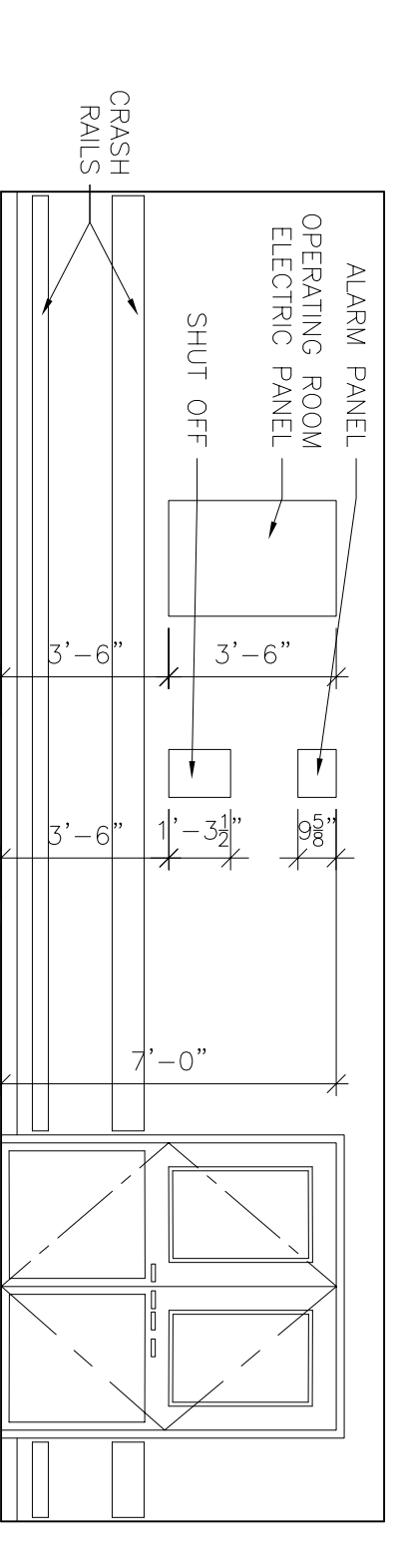
14 SOILED ROOM
 1/4"=1'-0"



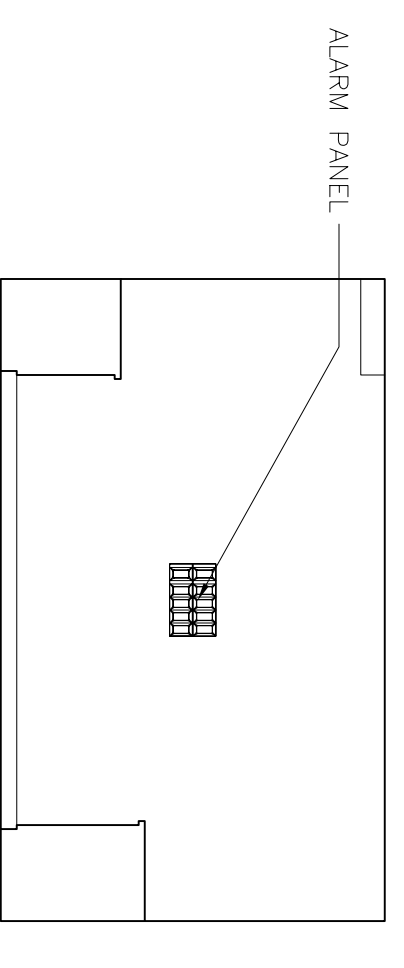
15 UNIT CLERK
 1/4"=1'-0"



16 SOILED ROOM
 1/4"=1'-0"



17 ALARM AND SHUT OFF PANEL-TYP.
 1/4"=1'-0"



18 UNIT CLERK
 1/4"=1'-0"

