

Consultant
ARCHITECT
 PETERSON
 Peterson-Hoffman Associates, Inc.
 726 Bon Street, Suite 806
 Raleigh, NC 27601
 Phone: (207) 775-1121
 Fax: (207) 879-0898

Consultant
ASSOCIATE ARCHITECT/STRUCTURE ENGINEER
 SMART
 Smart Associates, Inc.
 1000 North Street, P.O. Box 818
 Portland, Maine 04104
 Phone: (207) 772-2846
 Fax: (207) 772-1070

Consultant
MECHANICAL/ELECTRICAL ENGINEER
 Bond, Hood & Arneson Consulting Engineers, LLC
 311 Arsenal Street
 Portland, ME 04102
 Phone: (603) 754-0017
 Fax: (603) 754-0017

Consultant
EQUIPMENT PLANNING
 Equipment Planning
 1893 General George Patton Drive
 Franklin, Tennessee 37067
 Phone: (615) 376-3114
 Fax: (615) 376-3114

Consultant
CONSTRUCTION MANAGER
 7 Johnson Walkway
 Providence, RI 02903
 Phone: (401) 456-5905
 Fax: (401) 456-5516

Consultant
Interior
 Interior Federation, LLC
 1808 West End Ave. Suite 1400
 Nashville, TN 37203
 Phone: (615) 321-5591
 Fax: (615) 321-5889

Consultant
MEP
 M&F/JUL/C/LB/O/L
 AS NOTED

Francis
 Cauffman
 Foley
 Hoffmann

Project Title
 Mercy Health Core
 System of Maine
 FORE RIVER SHORT
 STAY HOSPITAL

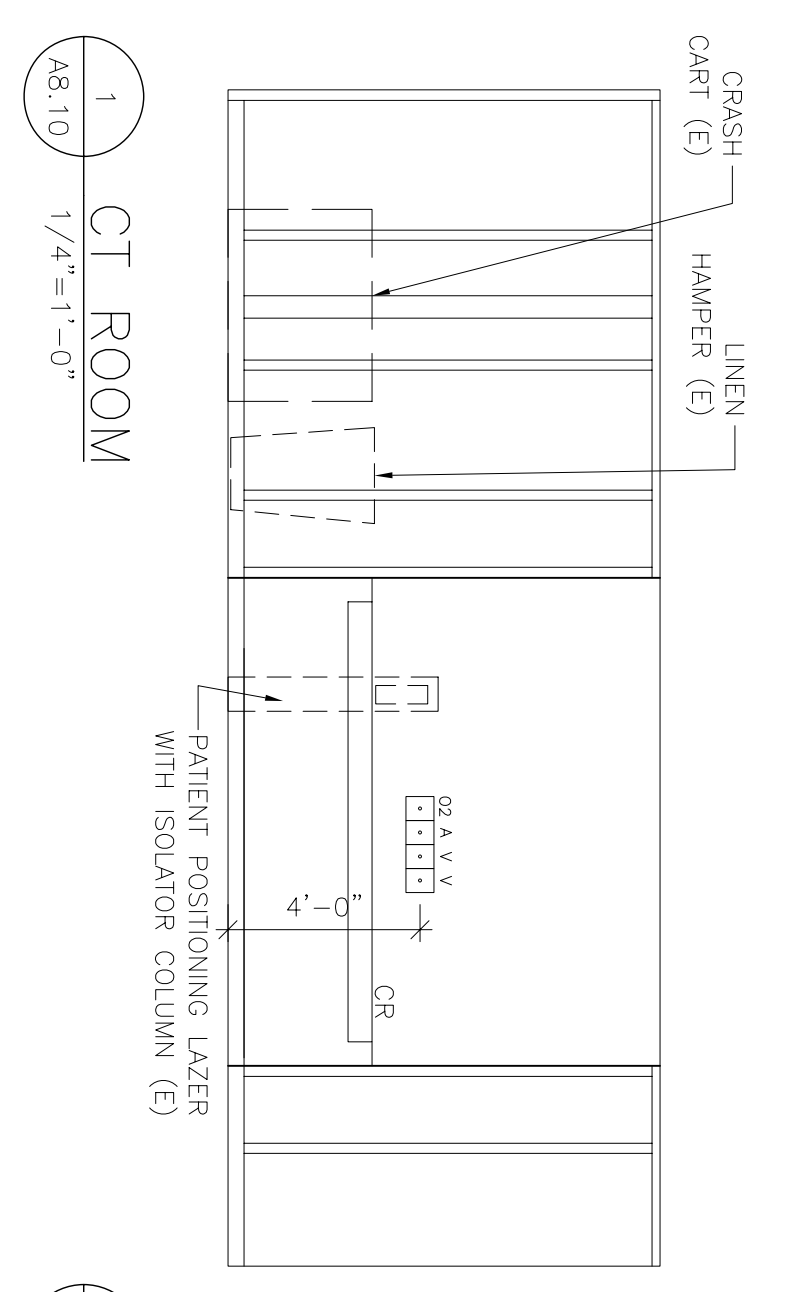
Project Location
 3120 Ash Street
 Philadelphia, PA 19103
 Architects Ltd.
 215-568-8250



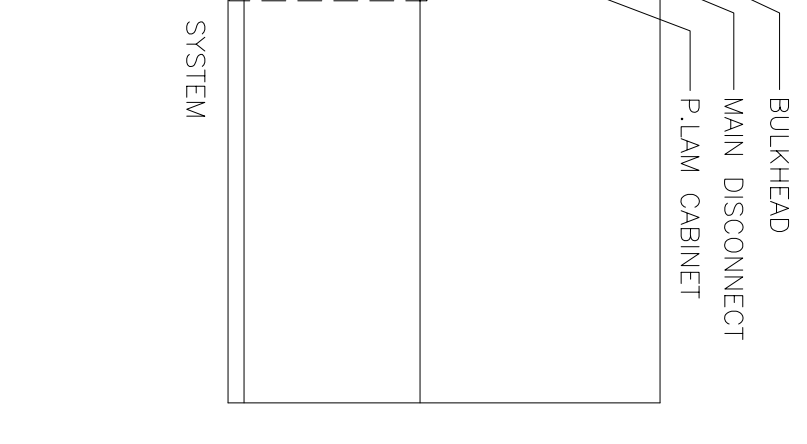
Project Number
 F05-4898

Drawing Title
 Interior Elevations-Imaging

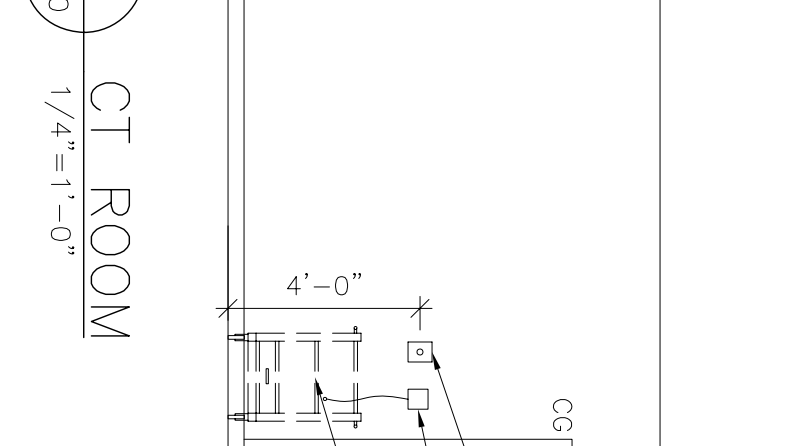
A8.10



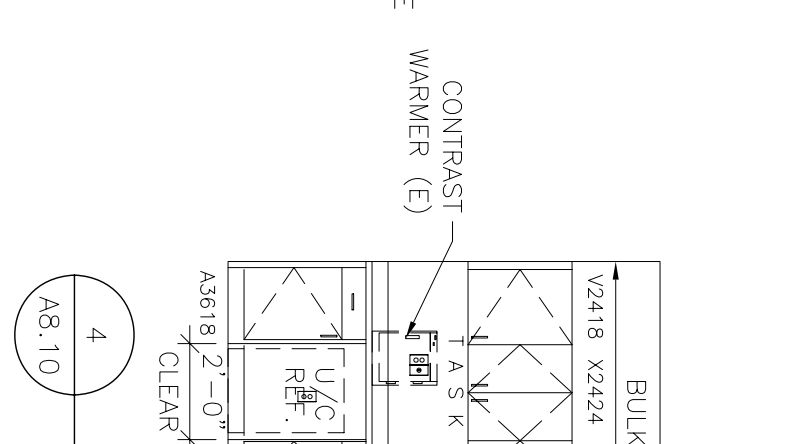
1 CT ROOM
 1/4"=1'-0"



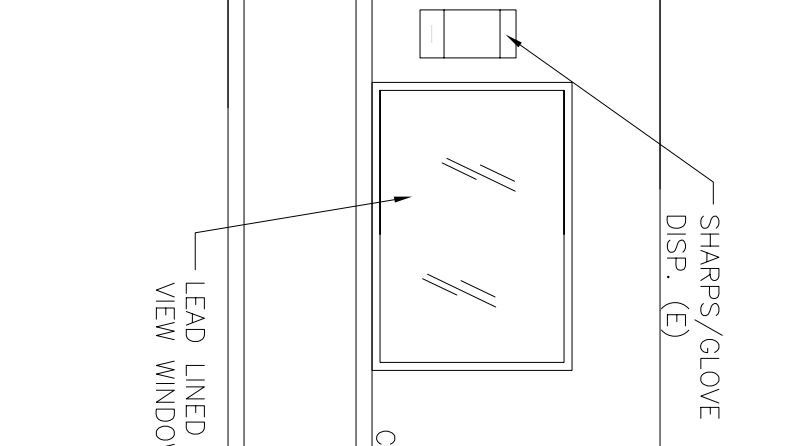
2 CT ROOM
 1/4"=1'-0"



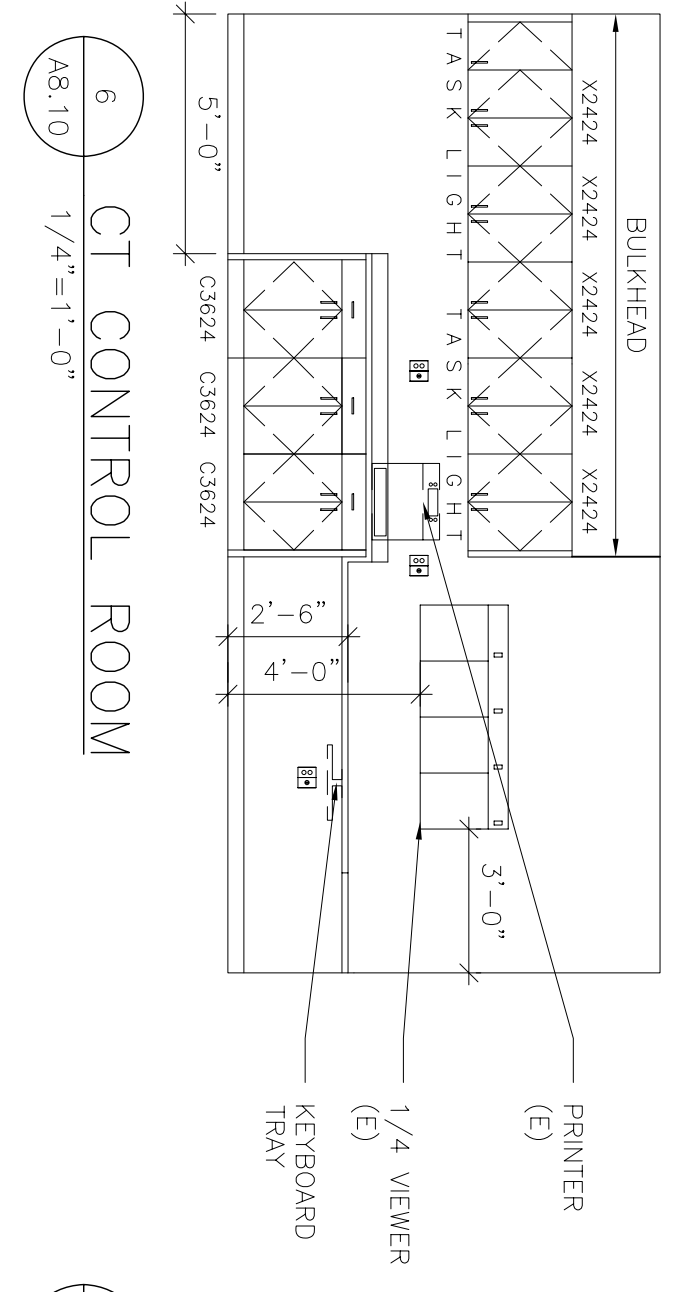
3 CT ROOM
 1/4"=1'-0"



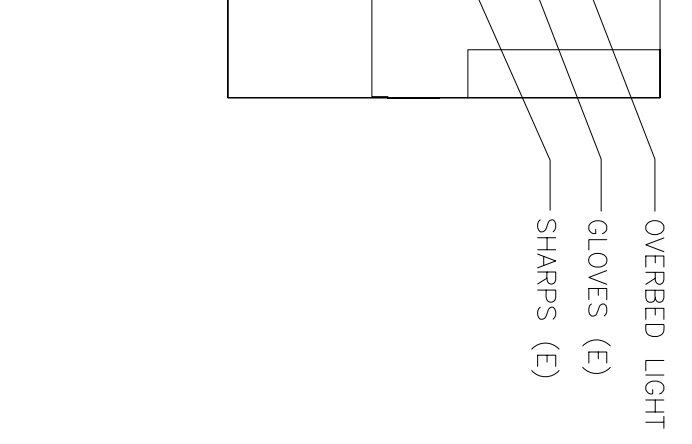
4 CT ROOM
 1/4"=1'-0"



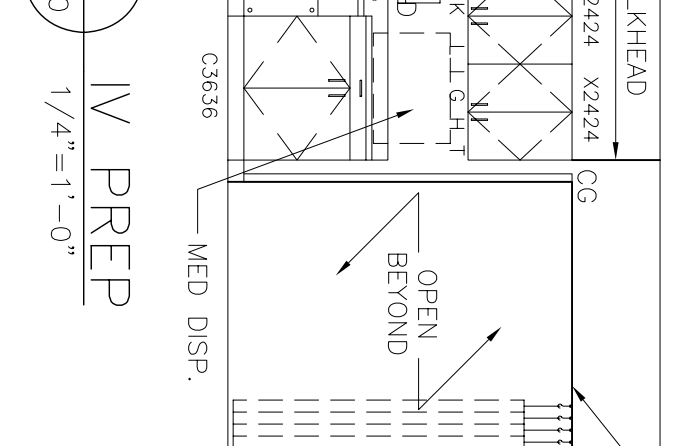
5 CT CONTROL ROOM
 1/4"=1'-0"



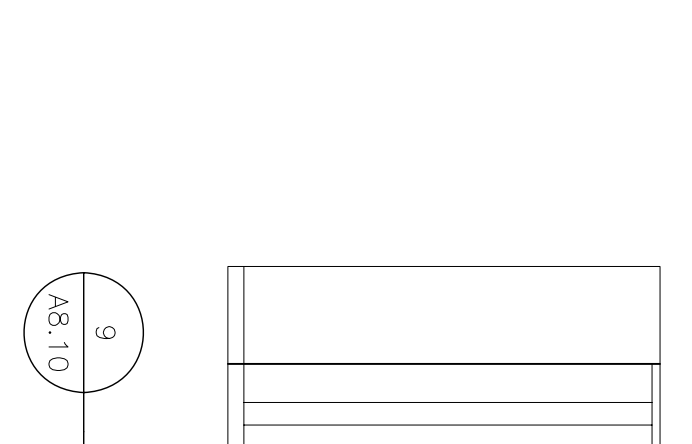
6 CT CONTROL ROOM
 1/4"=1'-0"



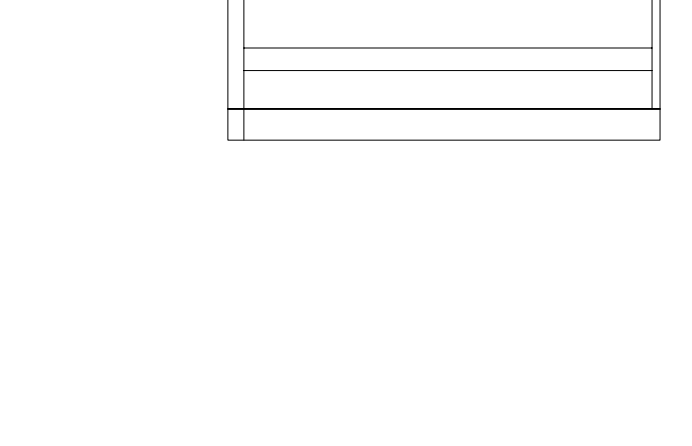
7 IV PREP
 1/4"=1'-0"



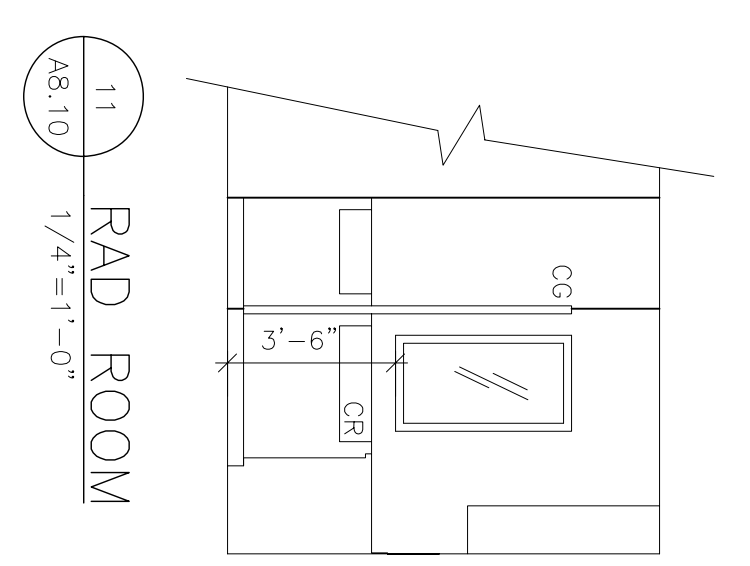
8 IV PREP
 1/4"=1'-0"



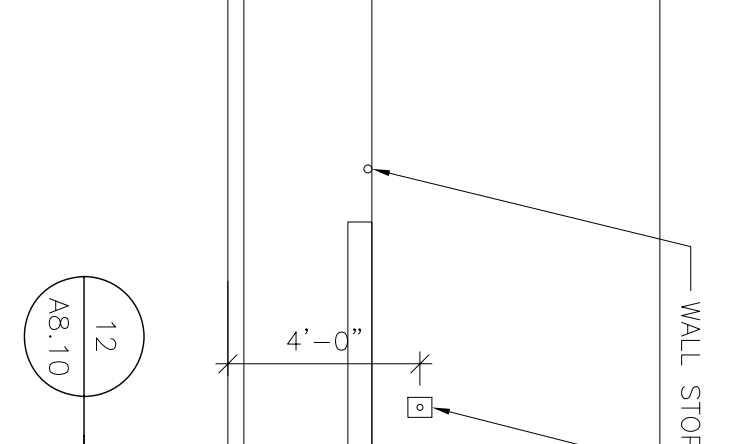
9 RAD ROOM
 1/4"=1'-0"



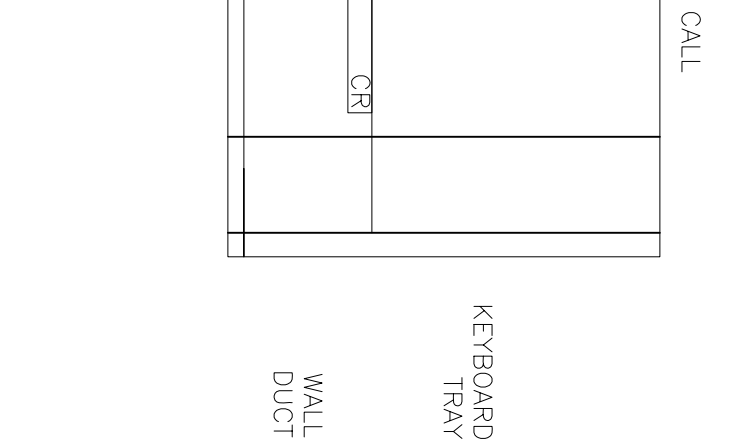
10 RAD ROOM
 1/4"=1'-0"



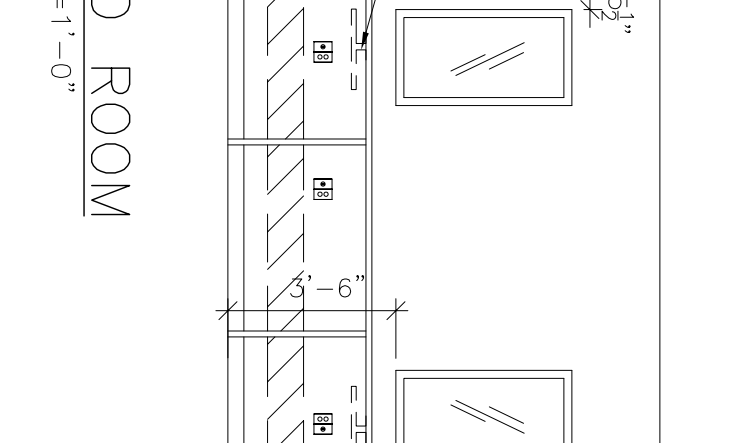
11 RAD ROOM
 1/4"=1'-0"



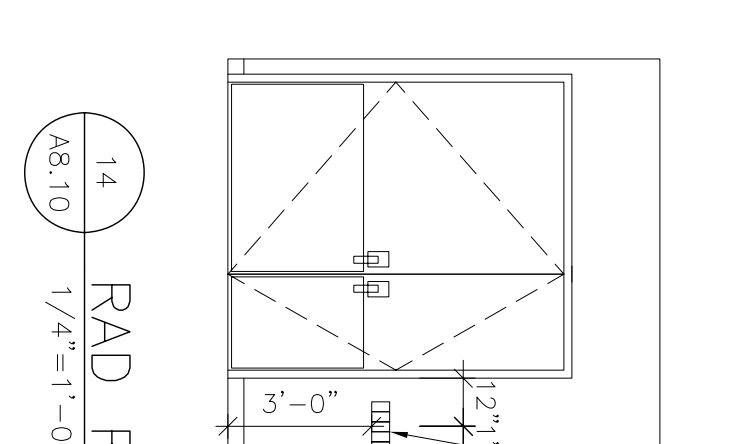
12 RAD ROOM
 1/4"=1'-0"



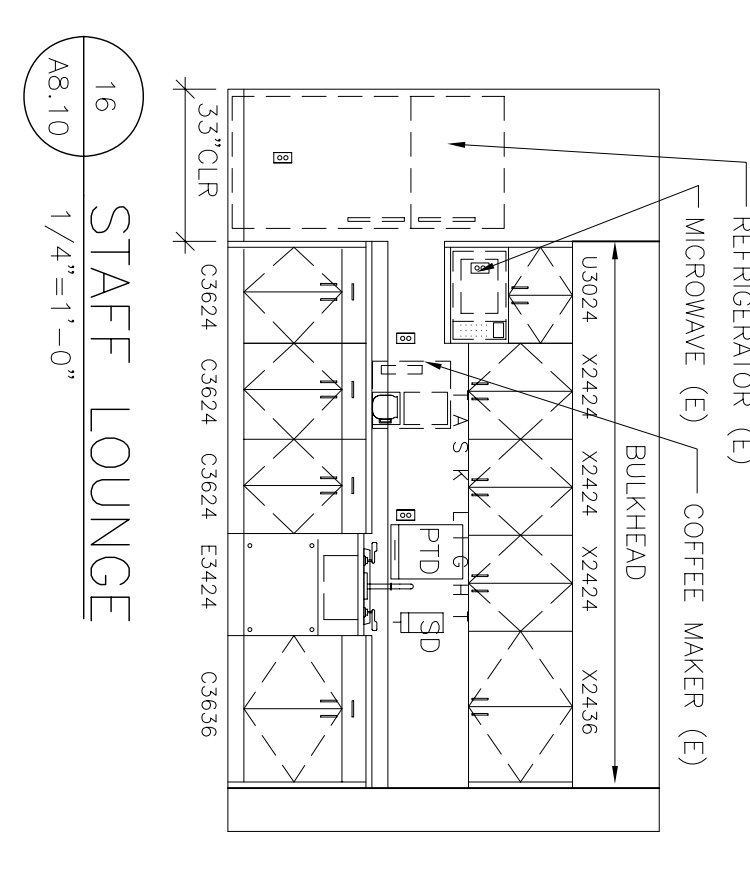
13 RAD ROOM
 1/4"=1'-0"



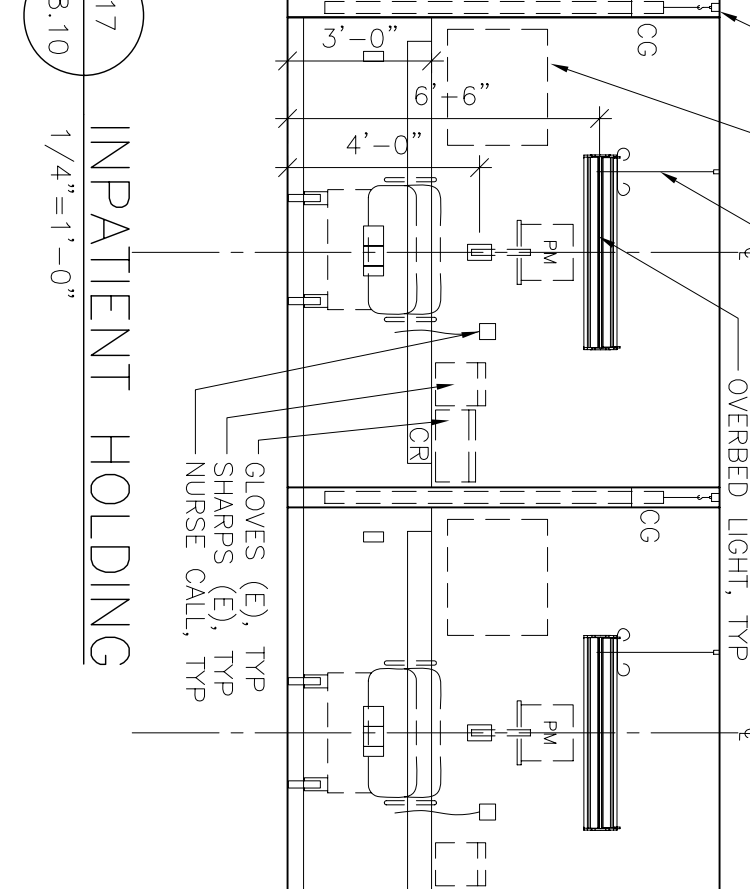
14 RAD ROOM
 1/4"=1'-0"



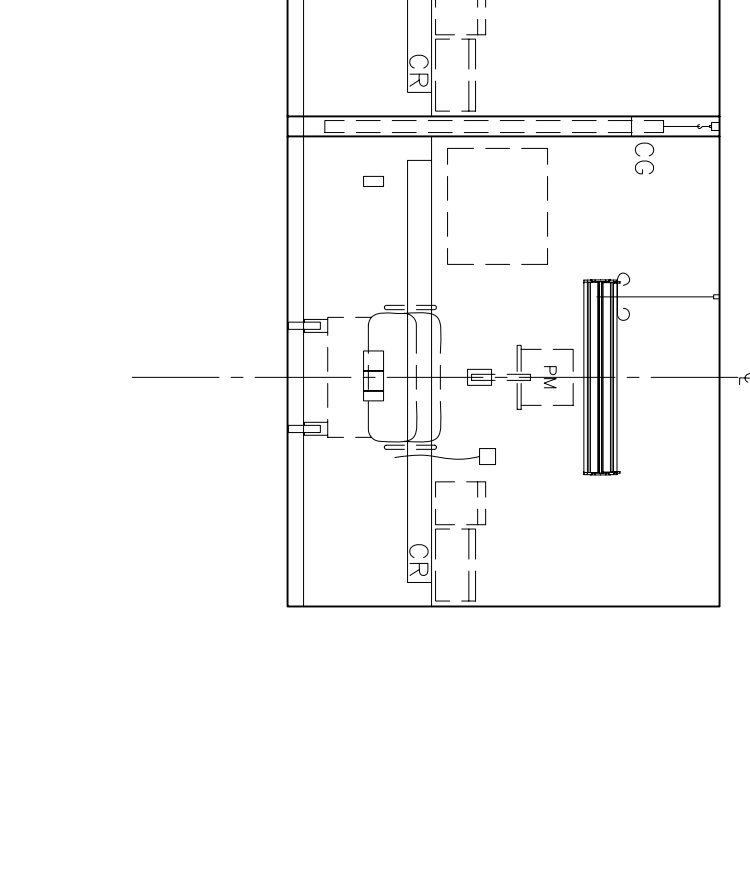
15 STAFF LOUNGE
 1/4"=1'-0"



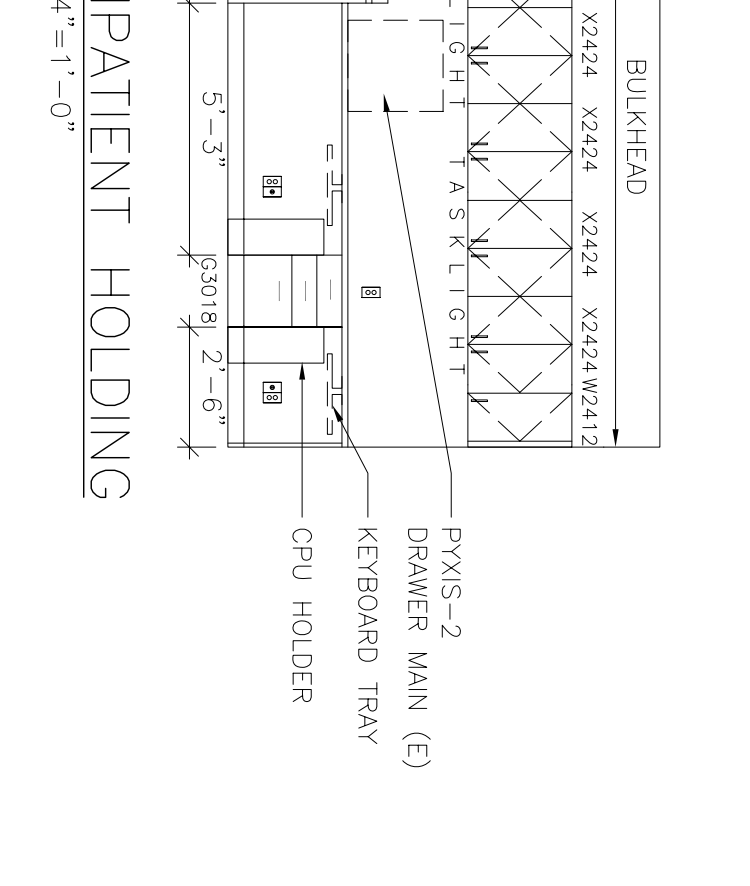
16 STAFF LOUNGE
 1/4"=1'-0"



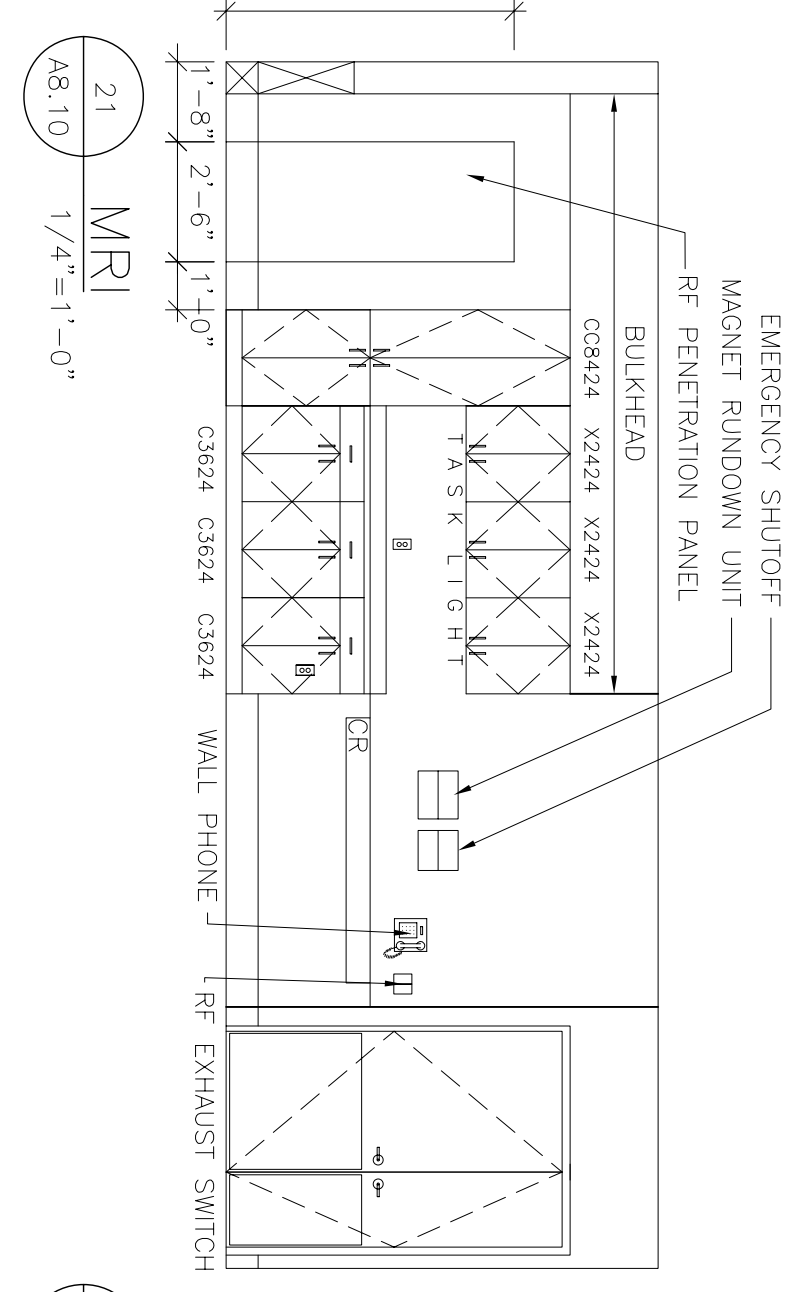
17 INPATIENT HOLDING
 1/4"=1'-0"



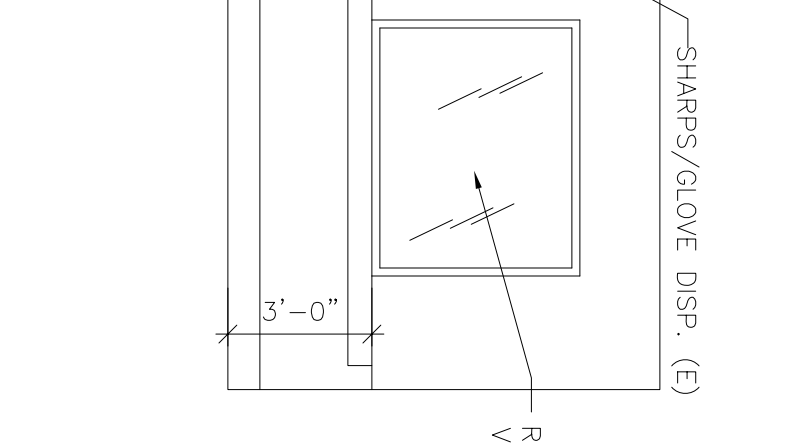
19 INPATIENT HOLDING
 1/4"=1'-0"



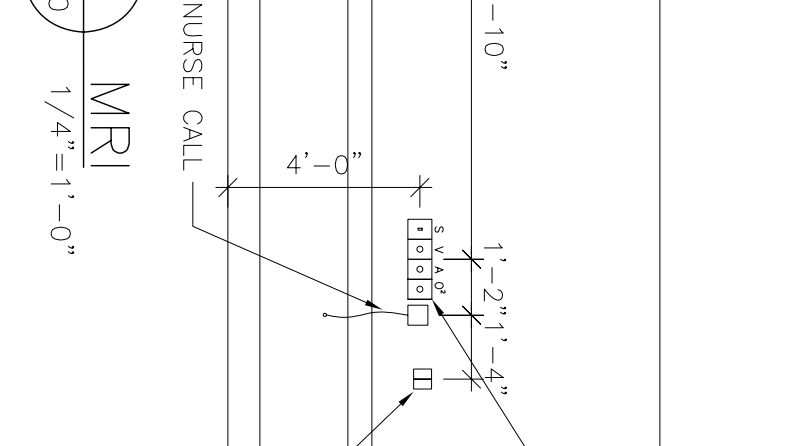
20 MRI
 1/4"=1'-0"



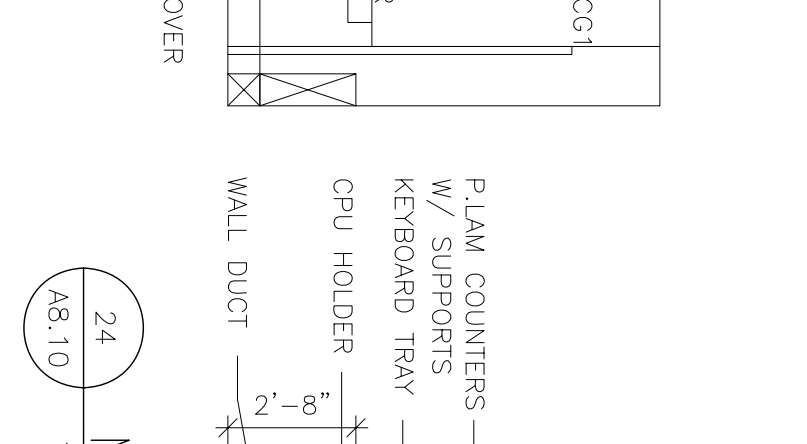
21 MRI
 1/4"=1'-0"



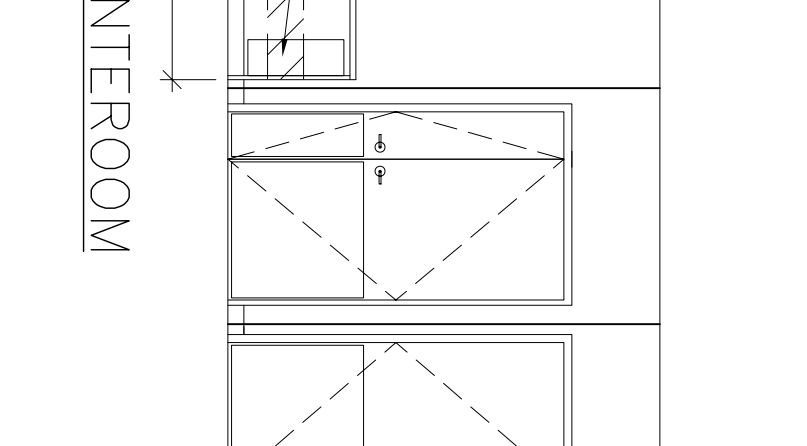
22 MRI
 1/4"=1'-0"



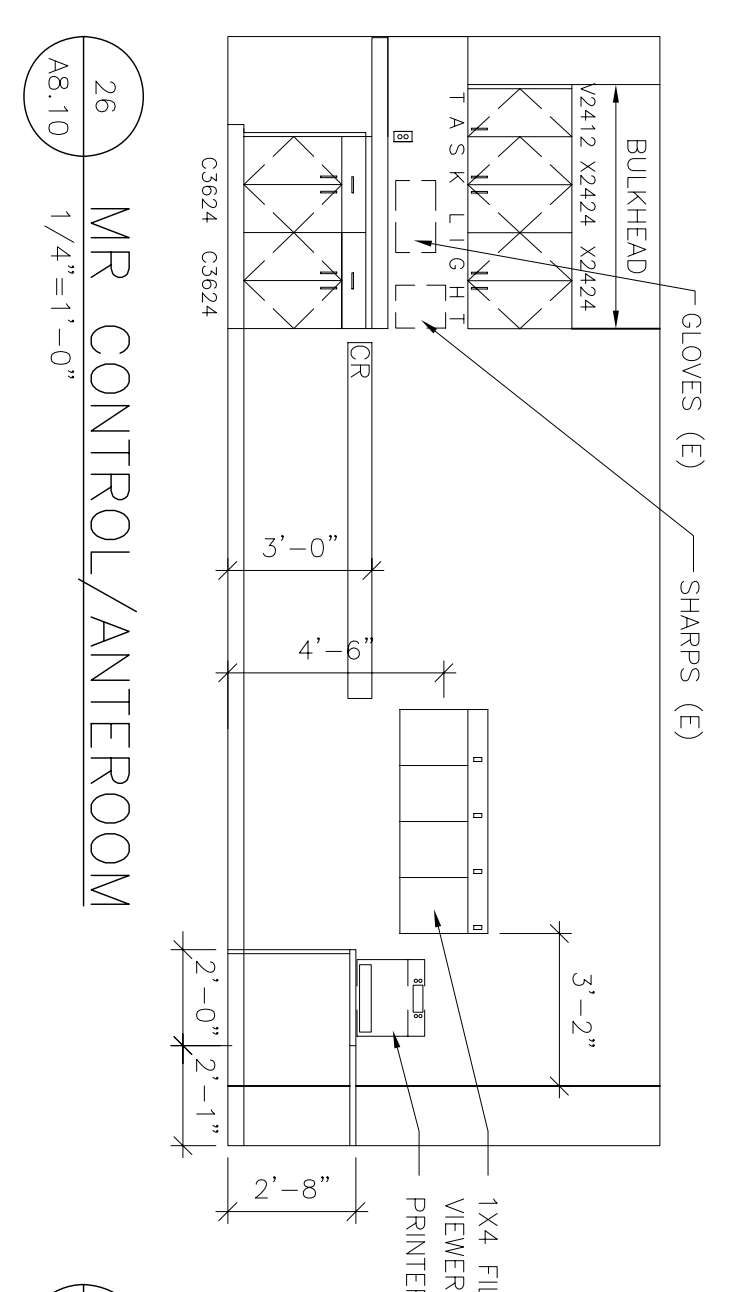
23 MRI
 1/4"=1'-0"



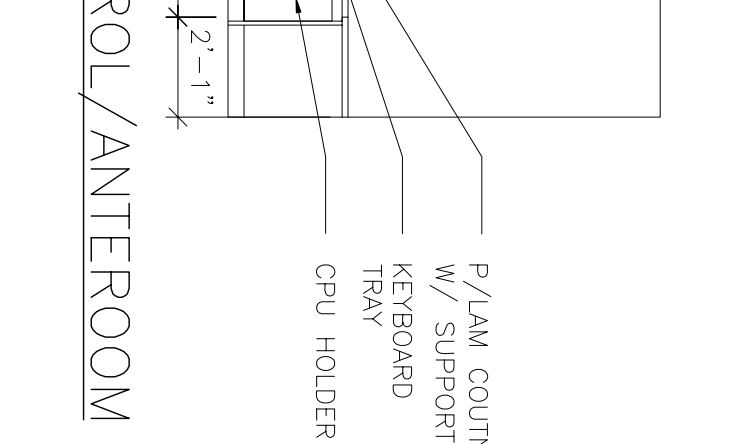
24 MR CONTROL/ANTEROOM
 1/4"=1'-0"



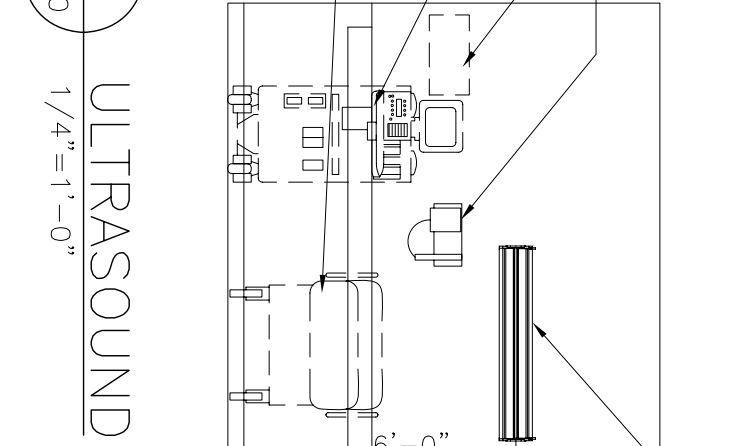
25 MR CONTROL/ANTEROOM
 1/4"=1'-0"



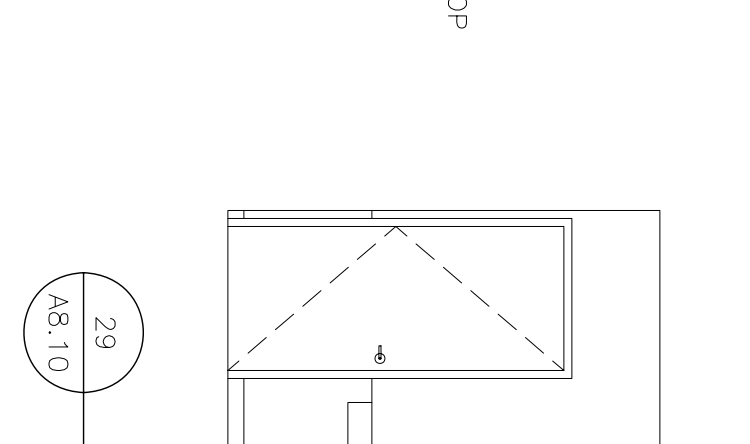
26 MR CONTROL/ANTEROOM
 1/4"=1'-0"



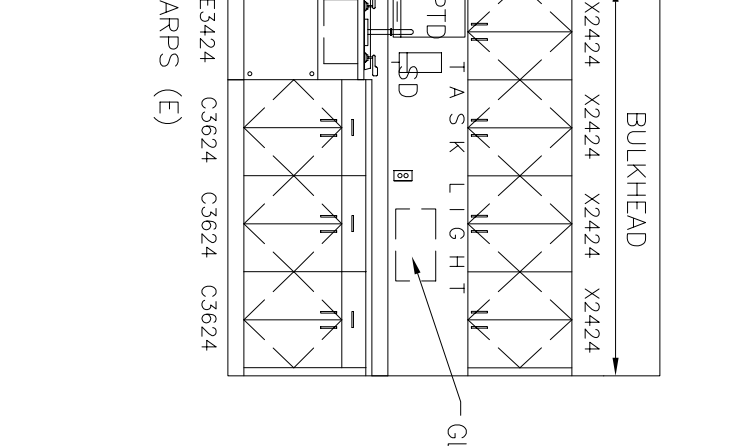
27 MR CONTROL/ANTEROOM
 1/4"=1'-0"



28 ULTRASOUND
 1/4"=1'-0"



29 ULTRASOUND
 1/4"=1'-0"



30 ULTRASOUND
 1/4"=1'-0"