

Consultant
 Civil/Structural
 Dulac-Hoffman Associates, Inc.
 726 Main Street, Suite 800
 Philadelphia, PA 19103
 Phone: (207) 775-1121
 Fax: (207) 879-0898

Consultant
 ASSOCIATE ARCHITECT/STRUCTURAL ENGINEER
 SMRT
 5000 New Street P.O. Box 818
 Philadelphia, PA 19104
 Phone: (207) 772-5846
 Fax: (207) 772-1070

Consultant
 MECHANICAL/ELECTRICAL ENGINEER
 Bond, Hood + Aronson Consulting Engineers, LLC
 311 Arsenal Street
 Philadelphia, PA 19106
 Phone: (215) 261-7889
 Fax: 6173243339

Consultant
 EQUIPMENT PLANNING
 Equipment Planning
 1893 General George Patton Drive
 Franklin, Tennessee 37067
 Phone: (615) 376-3114
 Fax: (615) 376-3114

Consultant
 CONSTRUCTION MANAGER
 7 Johnson Walkway
 Philadelphia, PA 19104
 Phone: (401) 456-8906
 Fax: (401) 456-5516

Consultant
 Interior Foundation, LLC
 1808 West End Ave. Suite 1400
 Philadelphia, PA 19103
 Phone: (615) 321-5591
 Fax: (615) 321-5689

ME/PE/General Contractor and all other trades accept conditions of prior work by sealed codes before proceeding with any work.

Date
 11/10/06 FINAL - ISSUE FOR BID
 Drawn By
 MAF/JLL/CLB/CLJ
 Scale
 AS NOTED

Francis

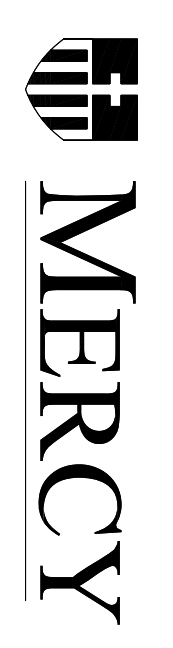
Caufman

Foley

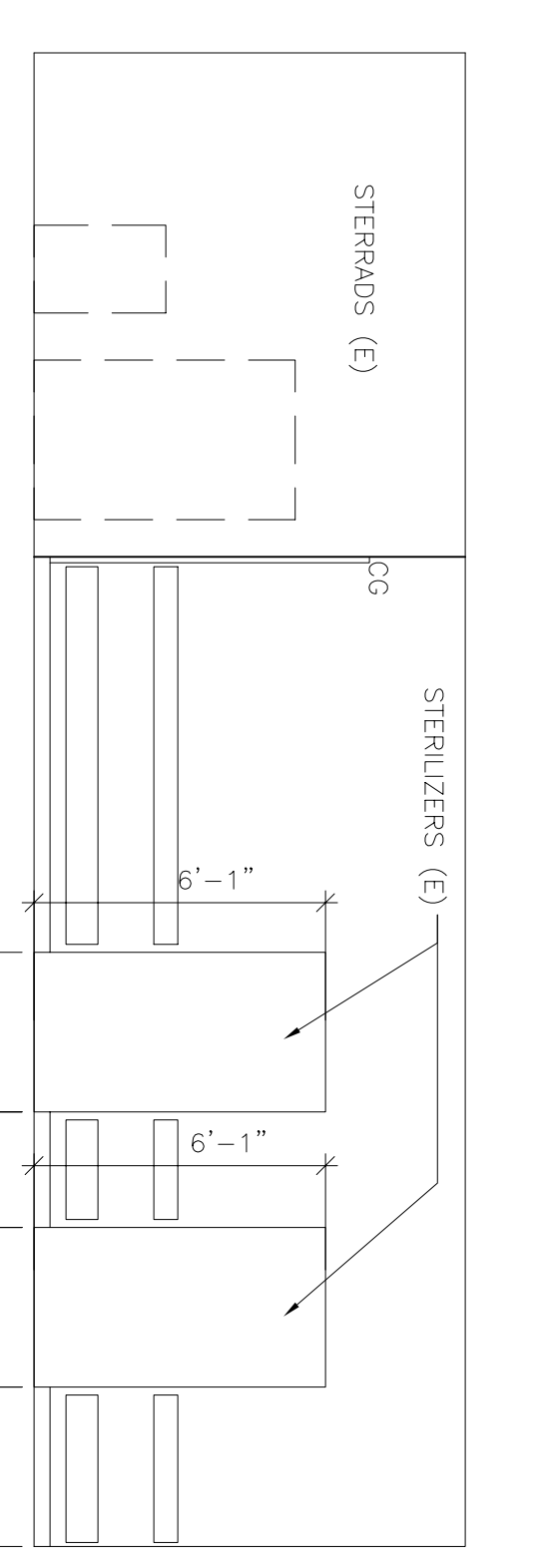
Hoffmann

Project File
 Francis, Caulman
 Foley Hoffmann
 Architects Ltd.
 2120 Arch Street
 Philadelphia, PA 19103
 215-568-8250

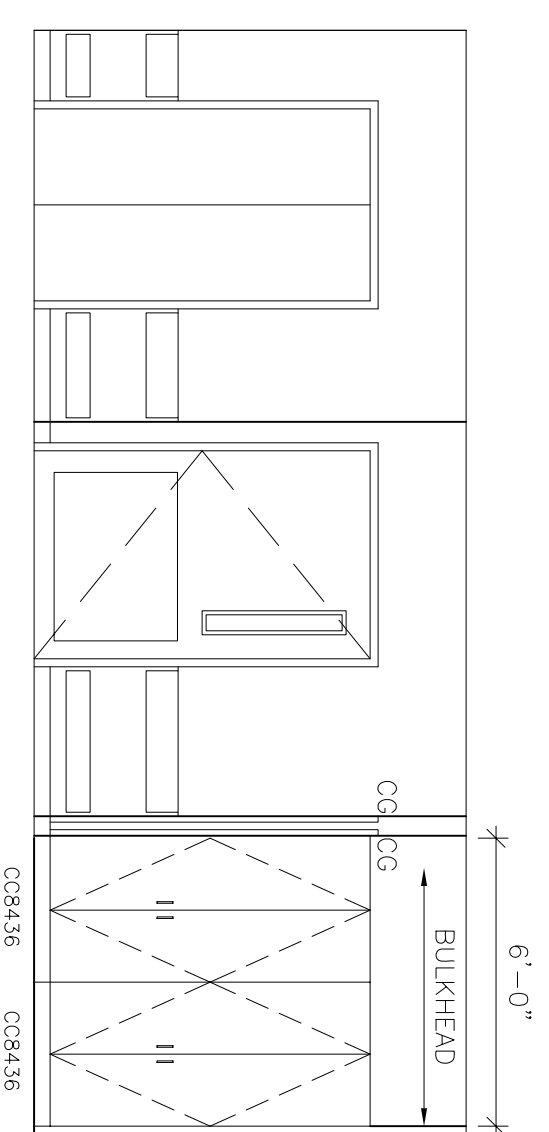
Mercy Health Core
 System of Maine
 FORE RIVER SHORT
 STAY HOSPITAL



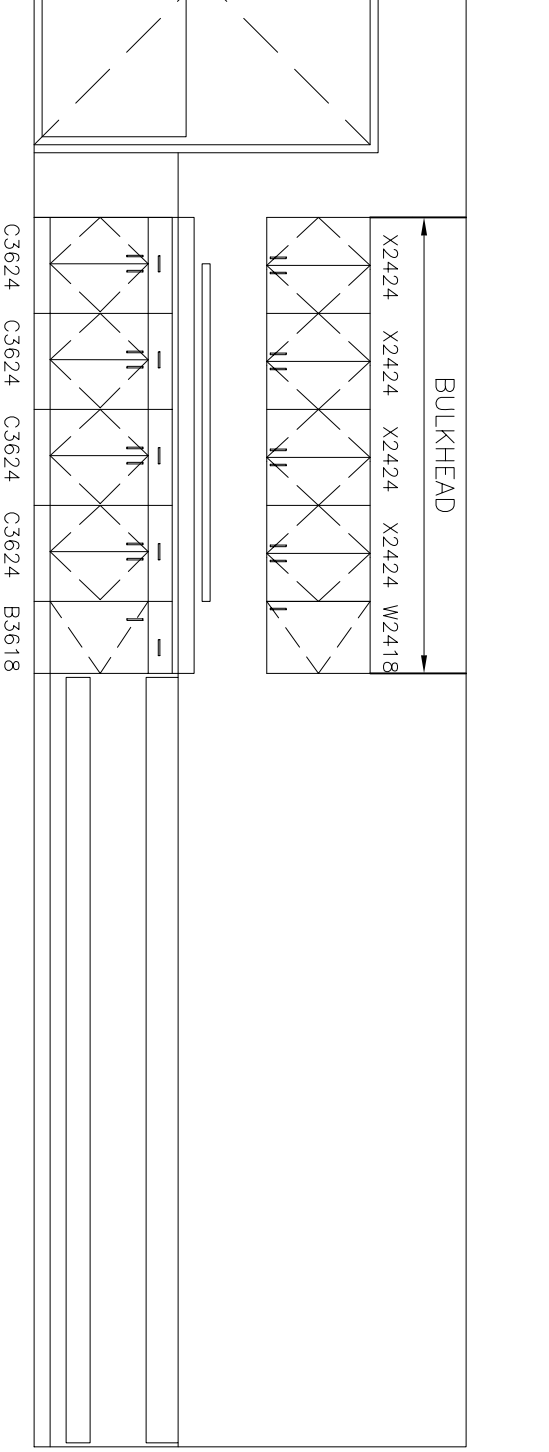
Project Number
 F05-4898
 Drawing Title Number
 Interior Elevations-SPD



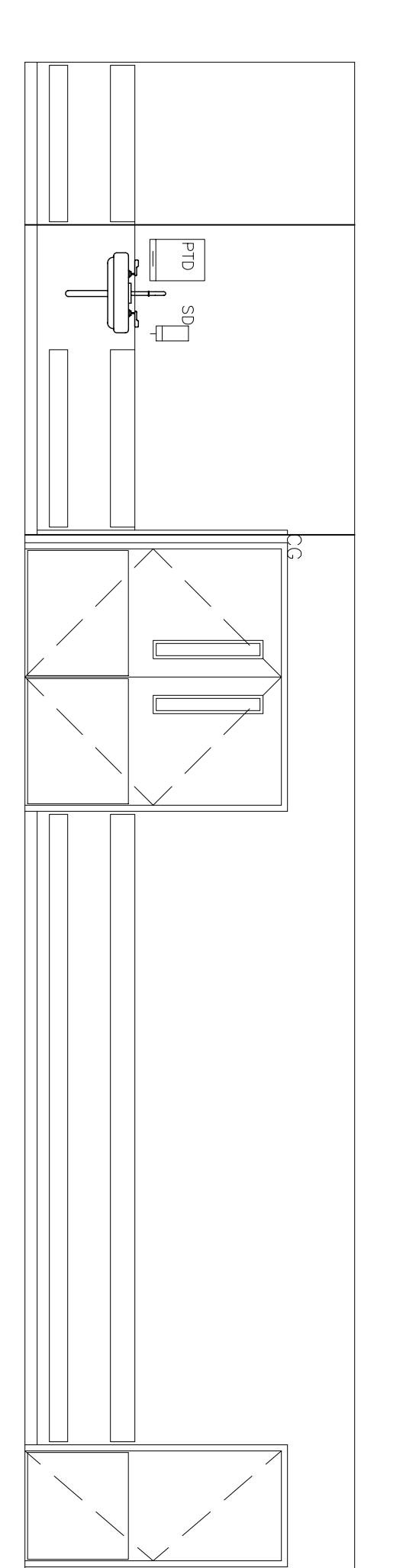
1 CENTRAL STERILE-CLEAN
 A8.02 1/4"=1'-0"



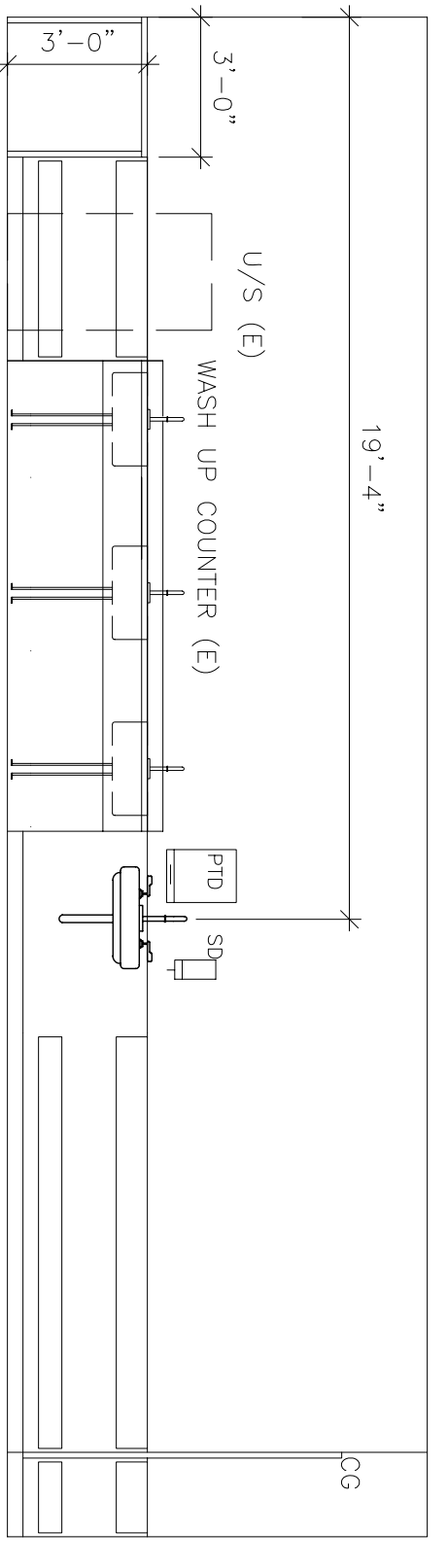
2 CENTRAL STERILE-CLEAN
 A8.02 1/4"=1'-0"



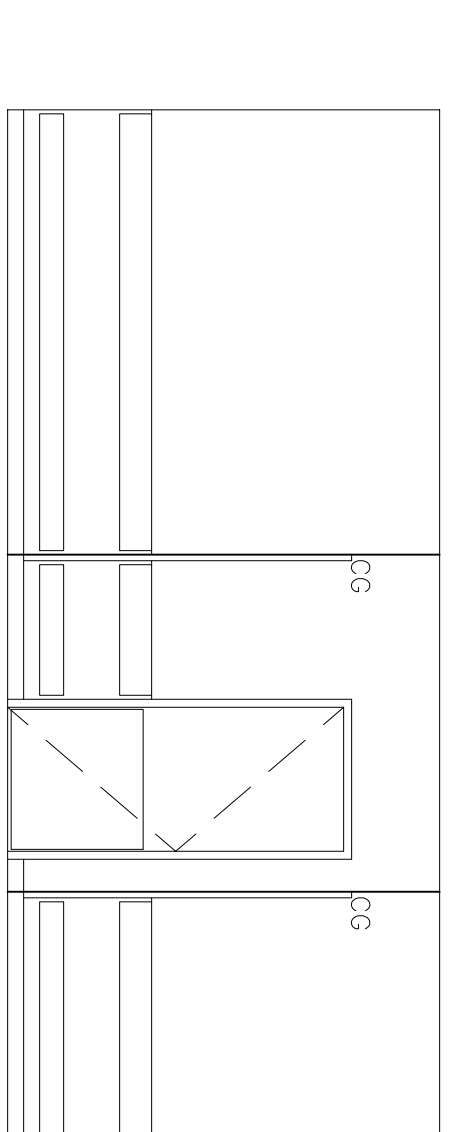
3 CENTRAL STERILE-CLEAN
 A8.02 1/4"=1'-0"



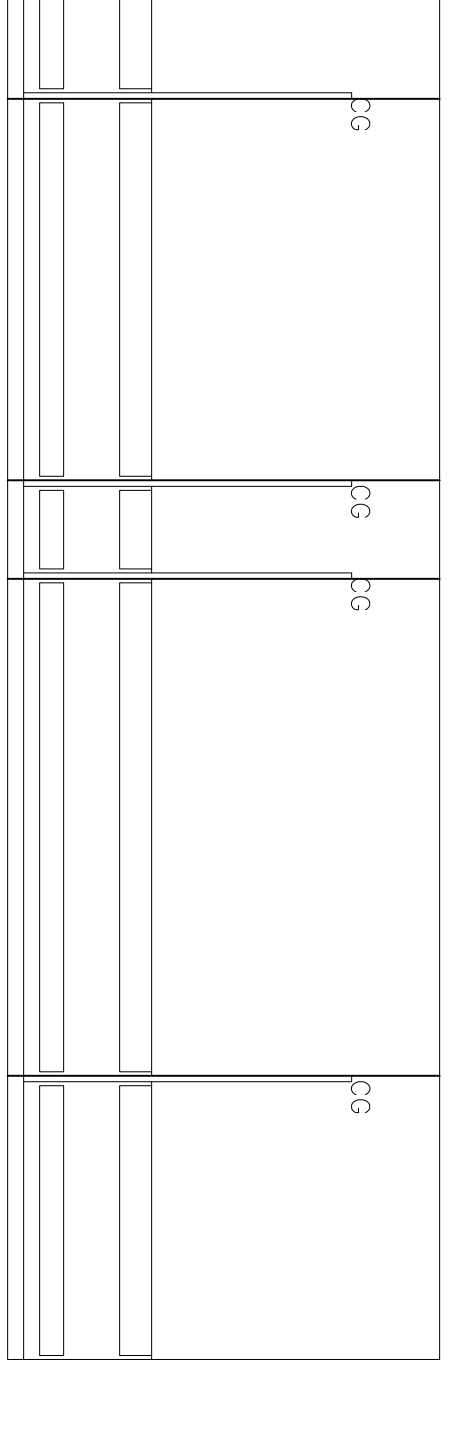
4 CENTRAL STERILE-SOILED
 A8.02 1/4"=1'-0"



5 CENTRAL STERILE-SOILED
 A8.02 1/4"=1'-0"



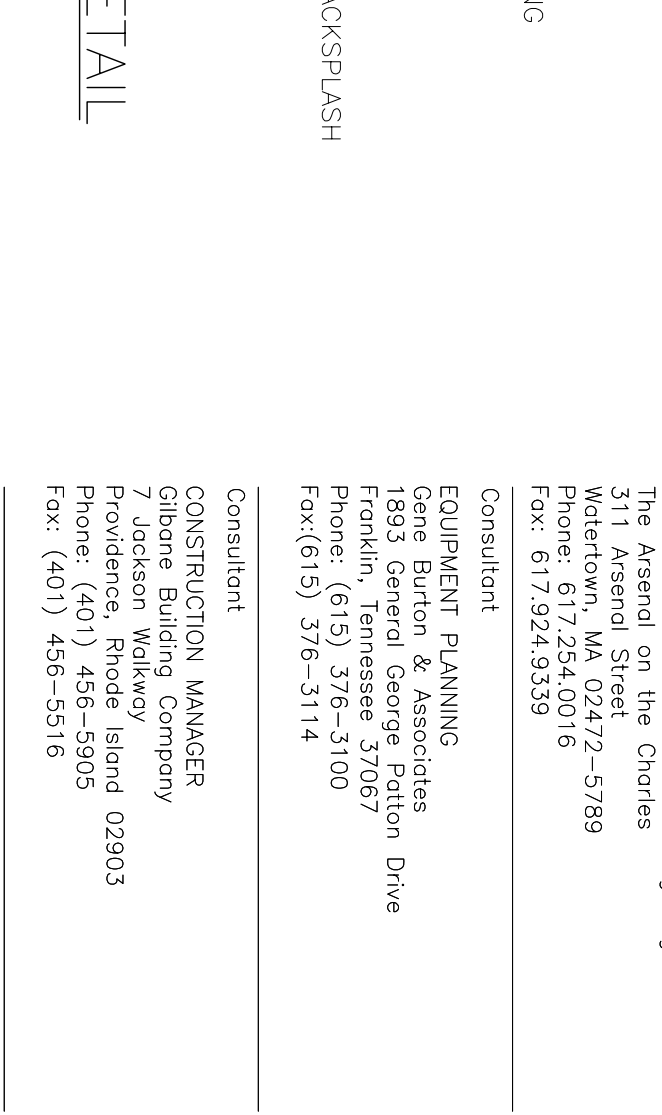
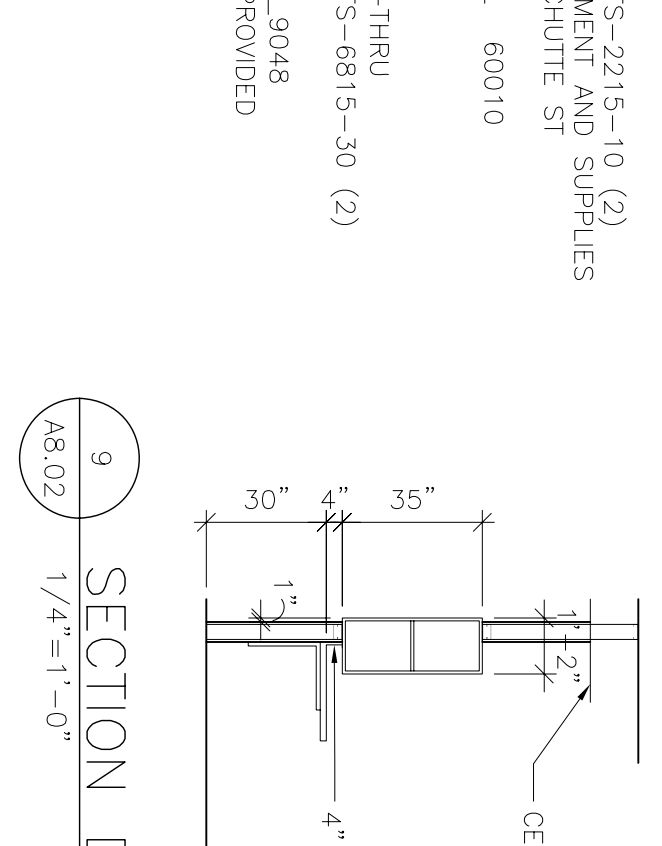
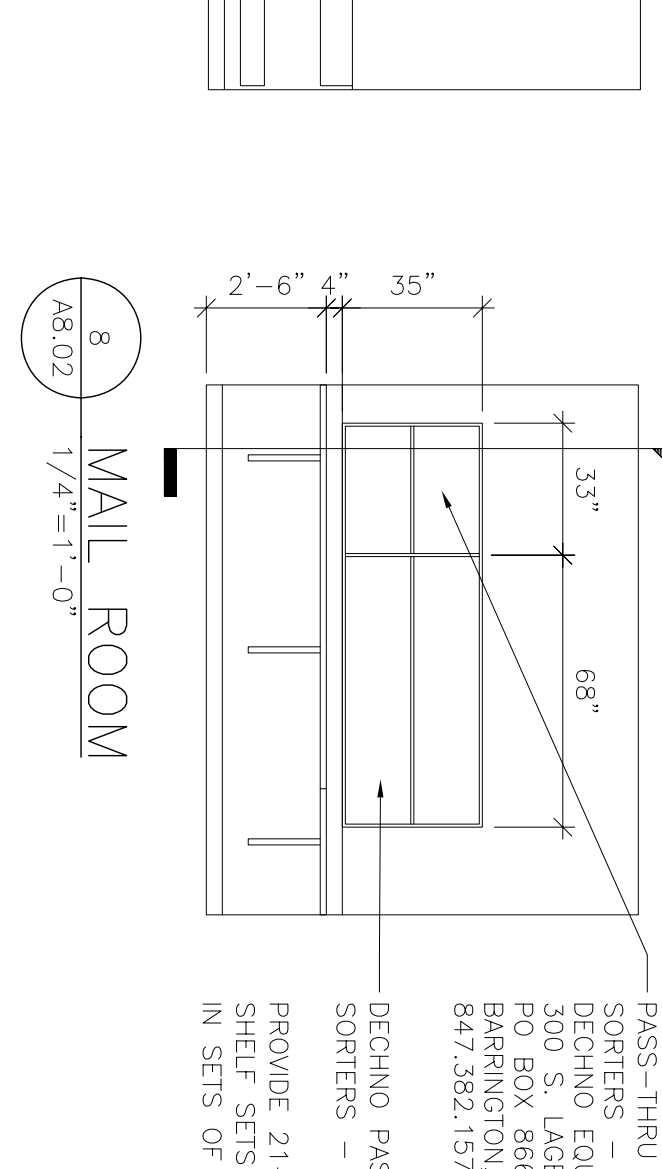
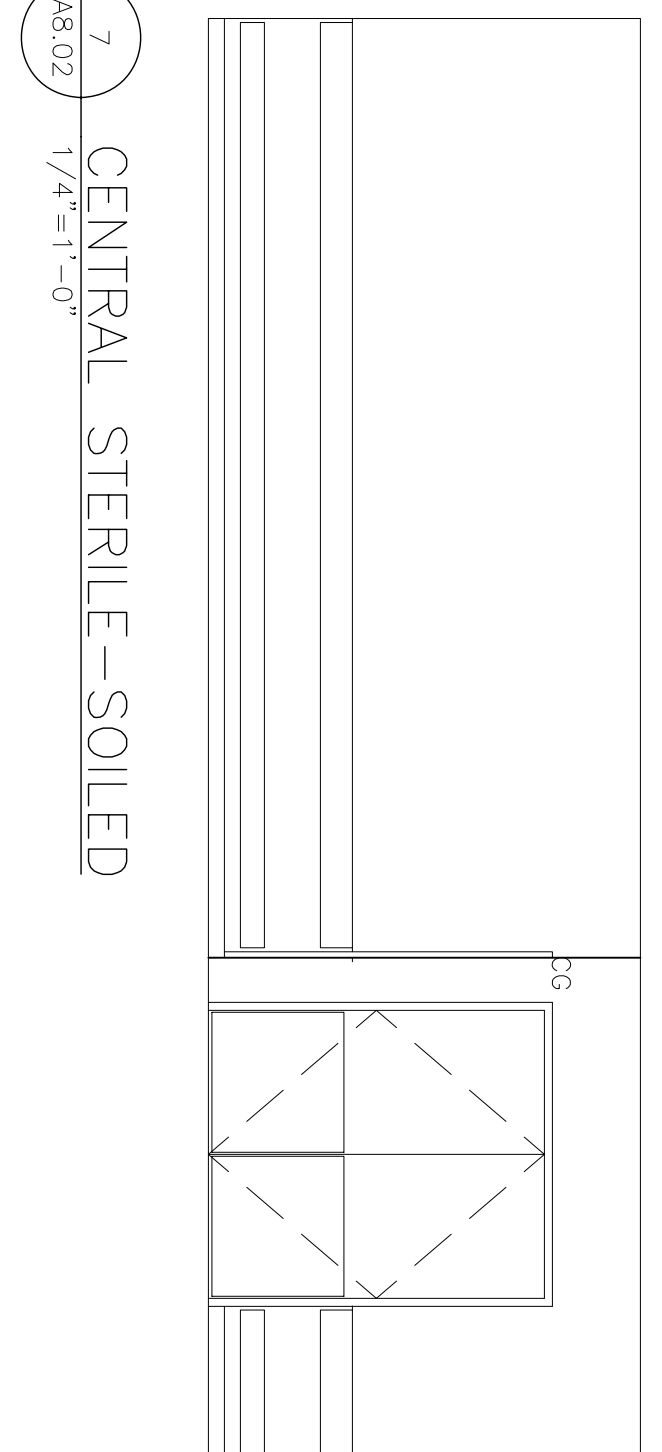
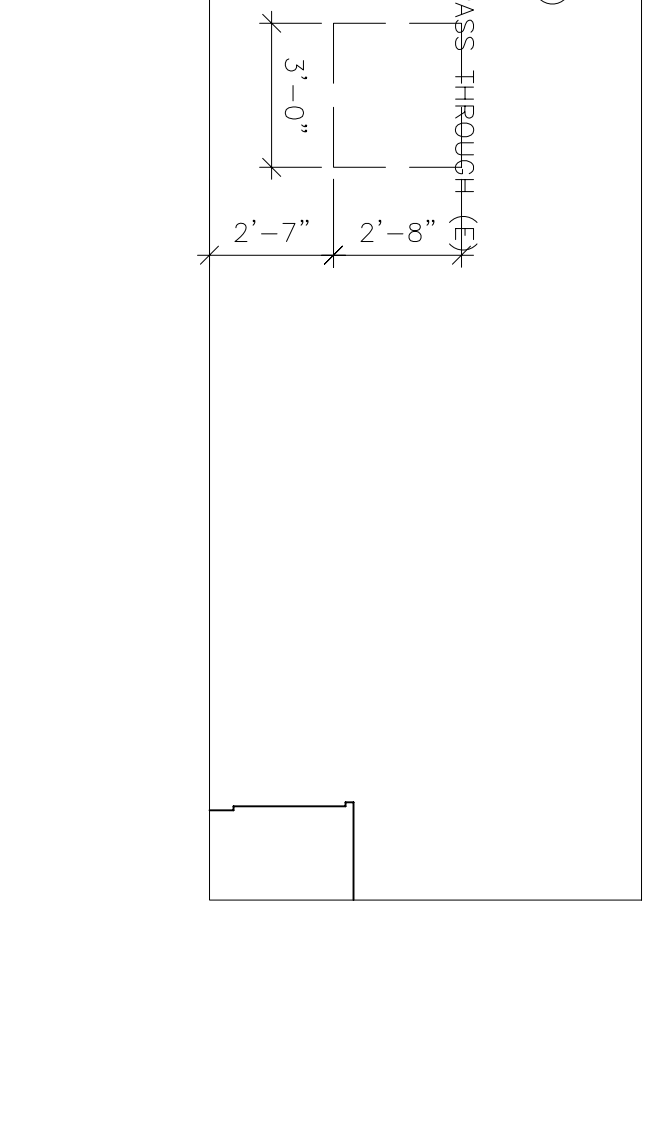
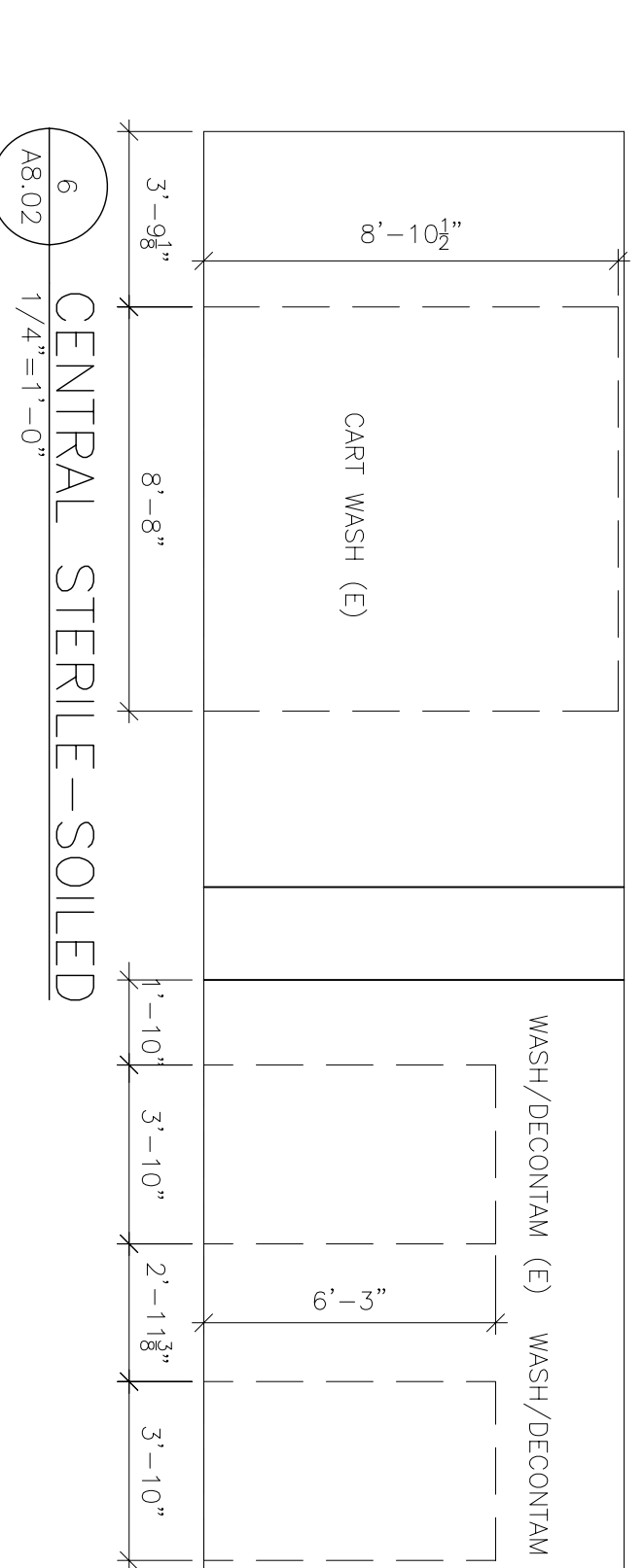
6 CENTRAL STERILE-SOILED
 A8.02 1/4"=1'-0"



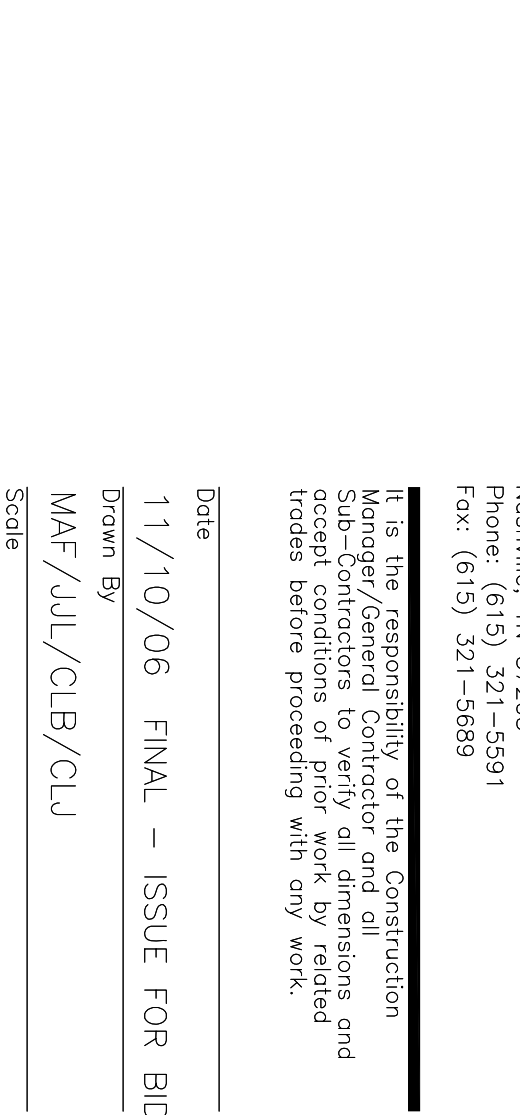
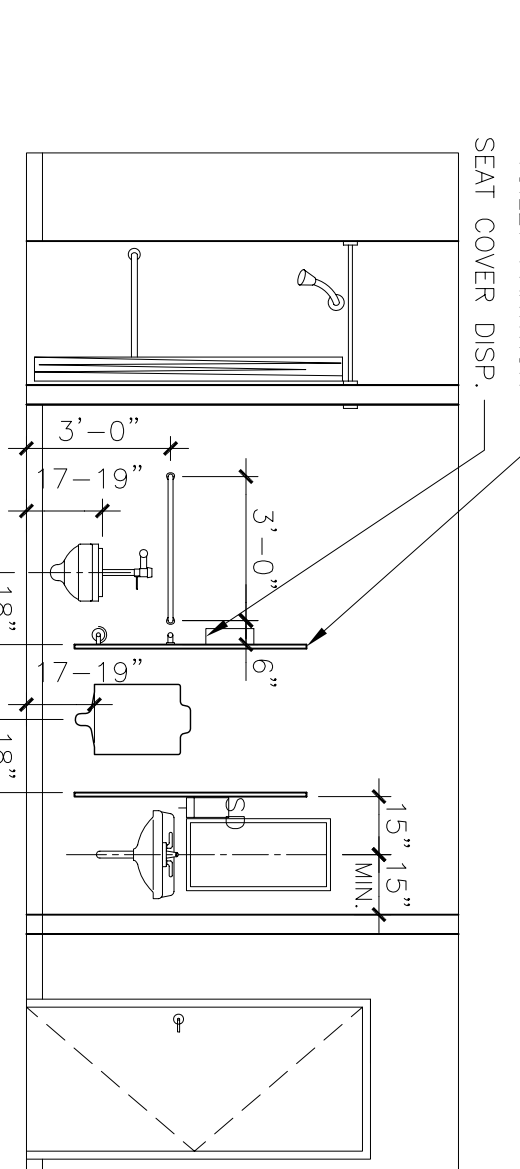
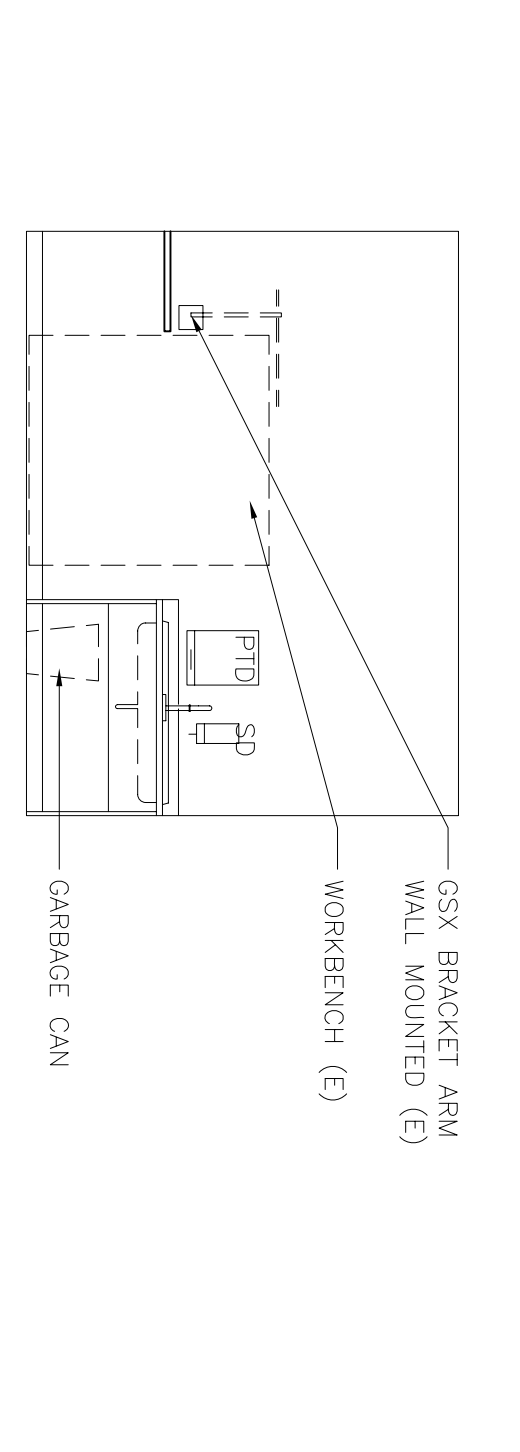
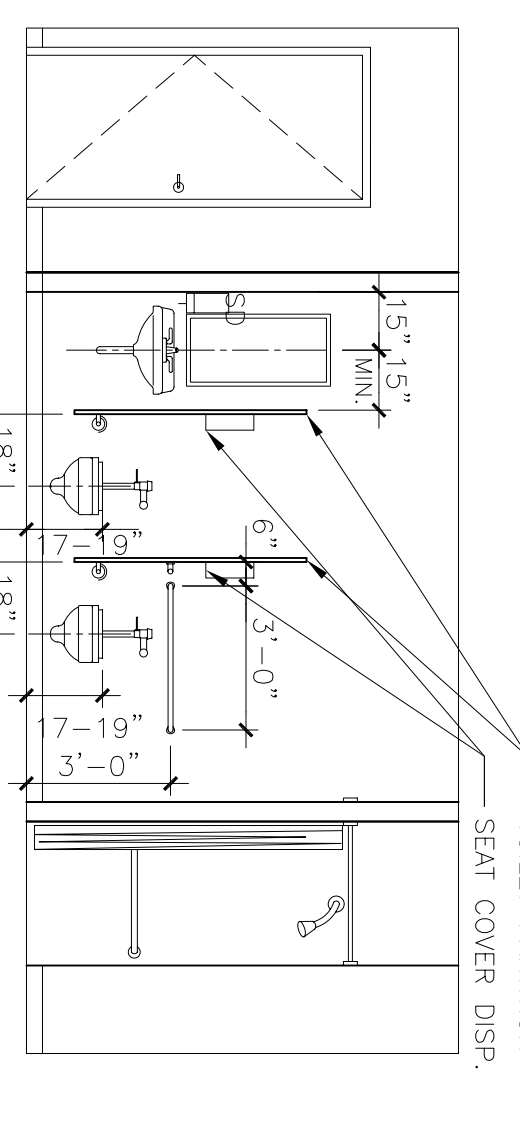
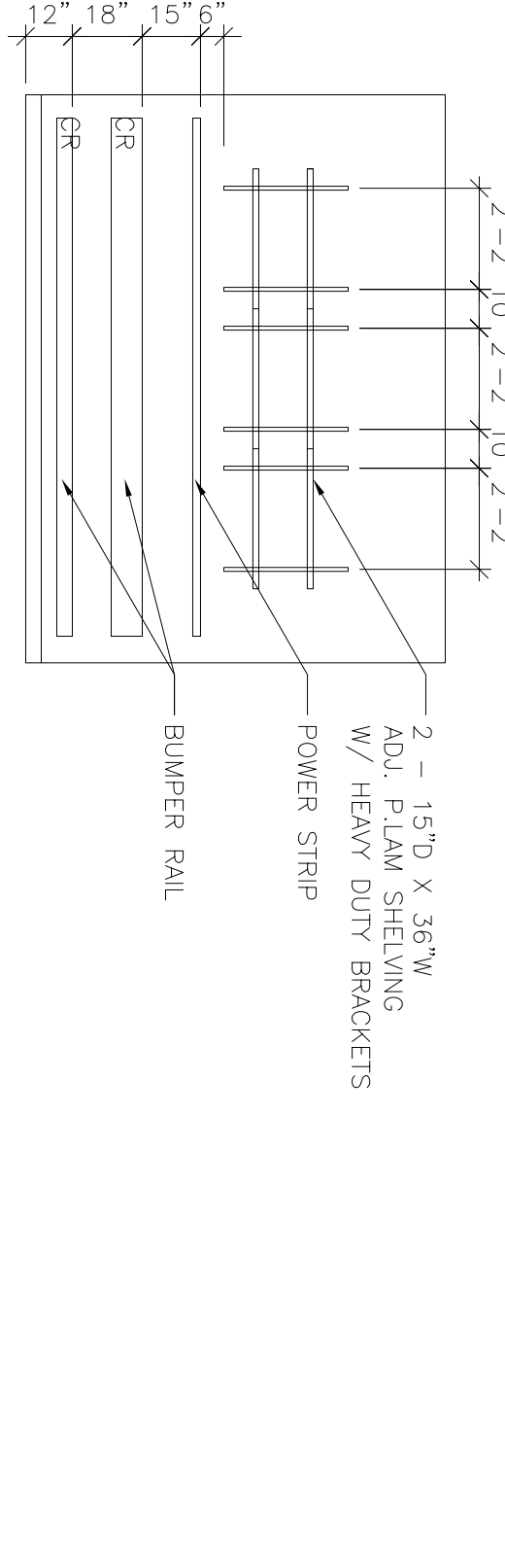
7 CENTRAL STERILE-SOILED
 A8.02 1/4"=1'-0"



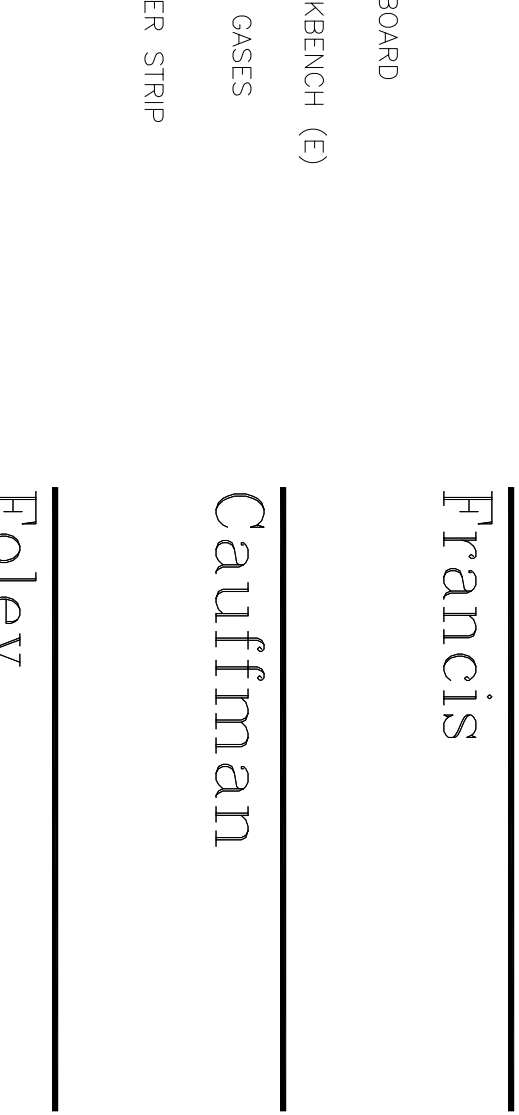
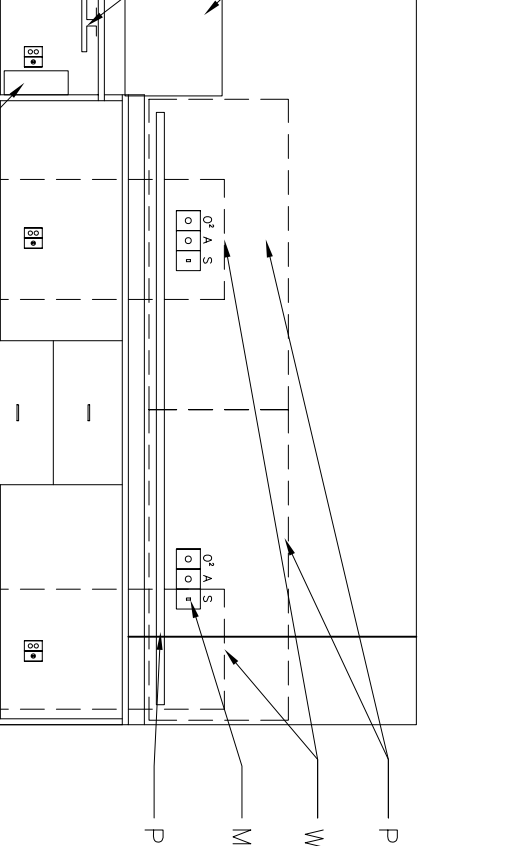
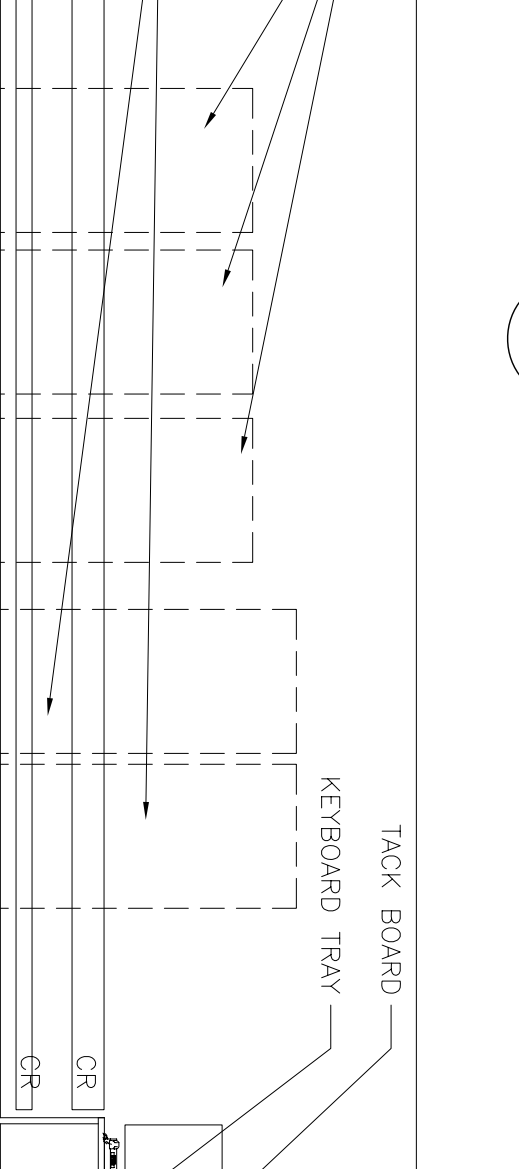
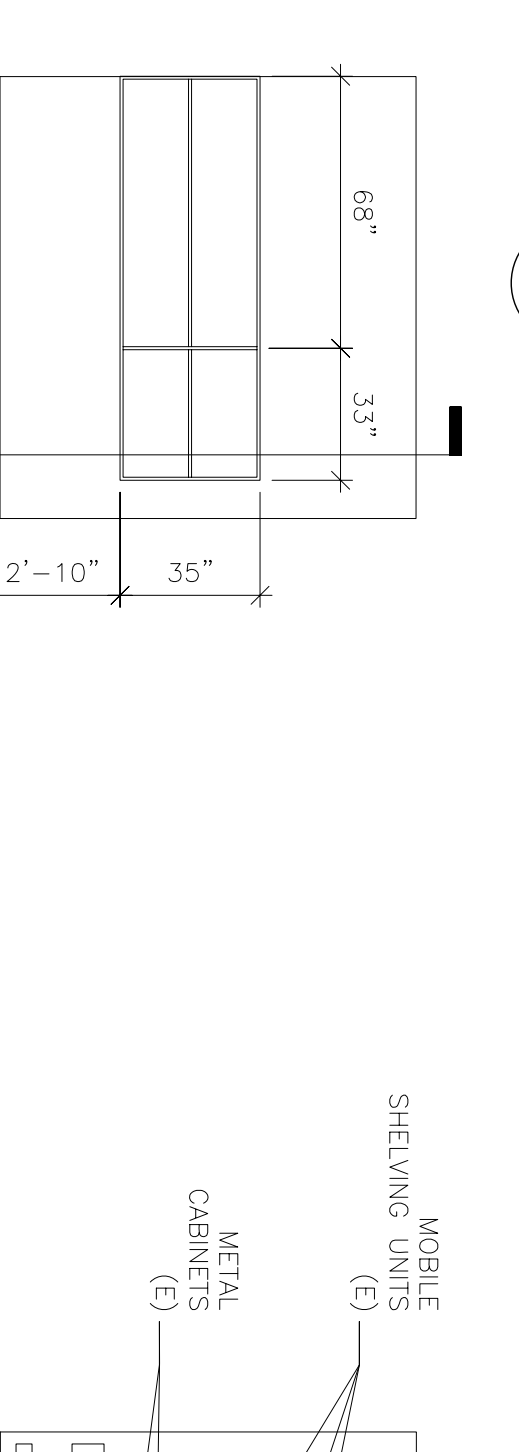
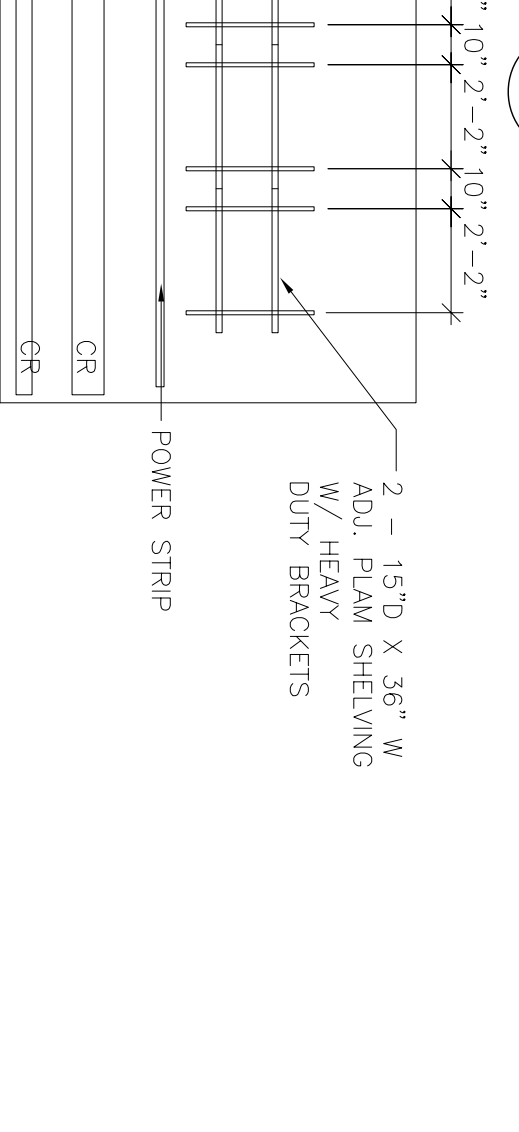
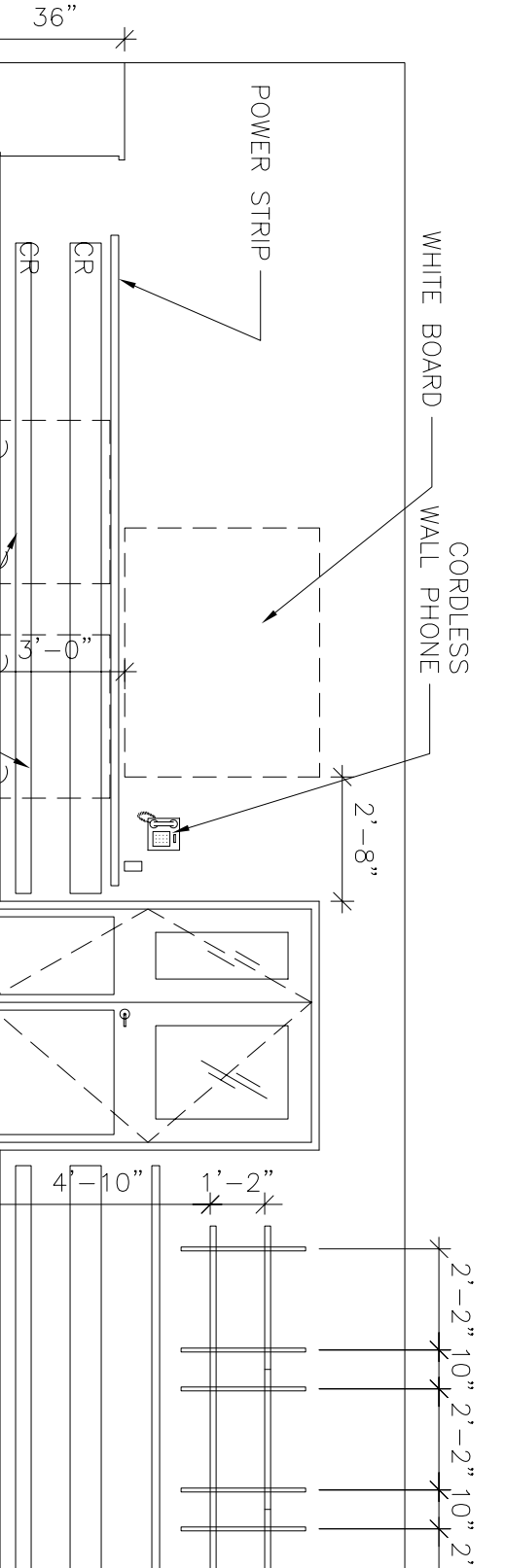
8 MAIL ROOM
 A8.02 1/4"=1'-0"



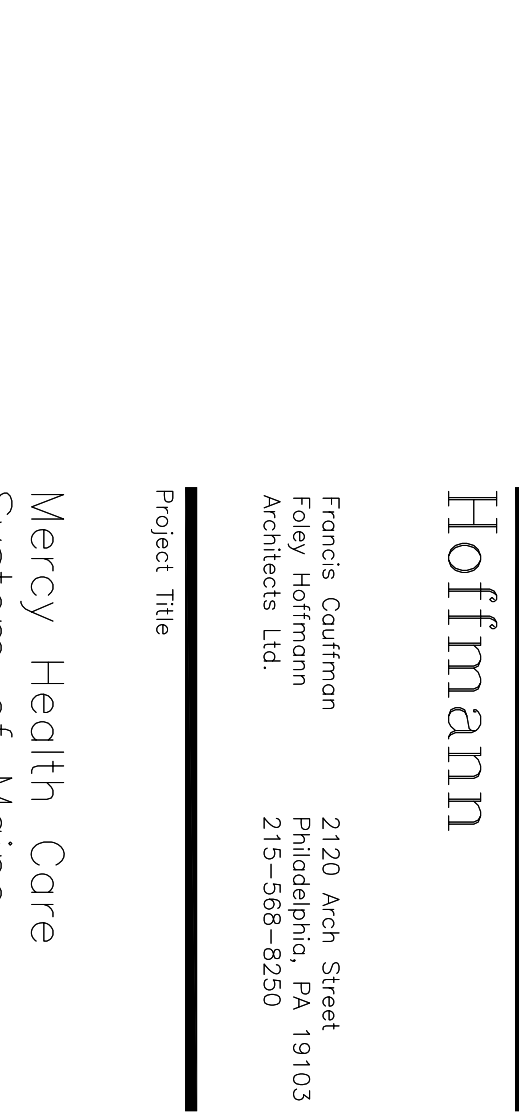
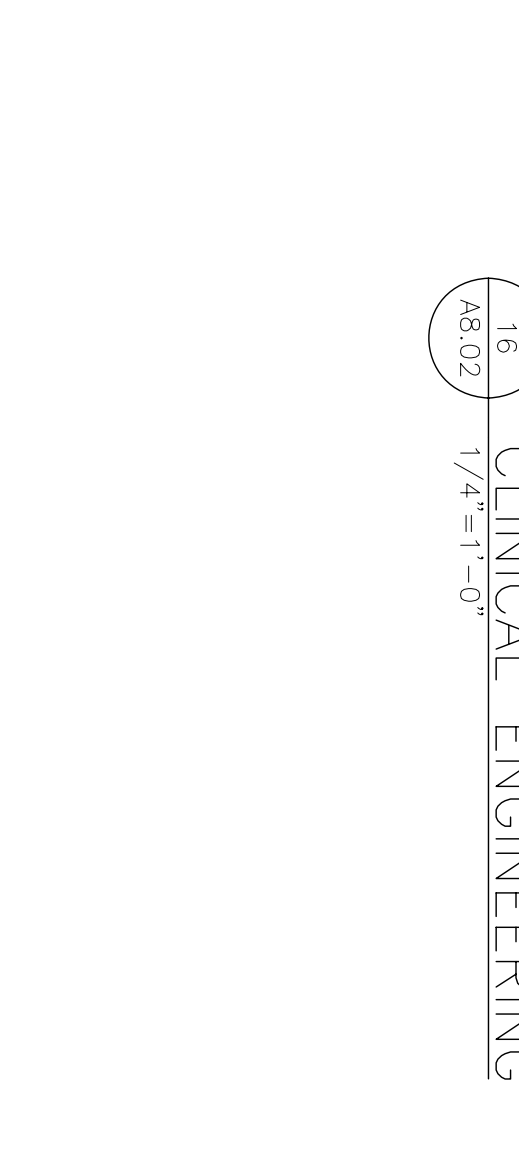
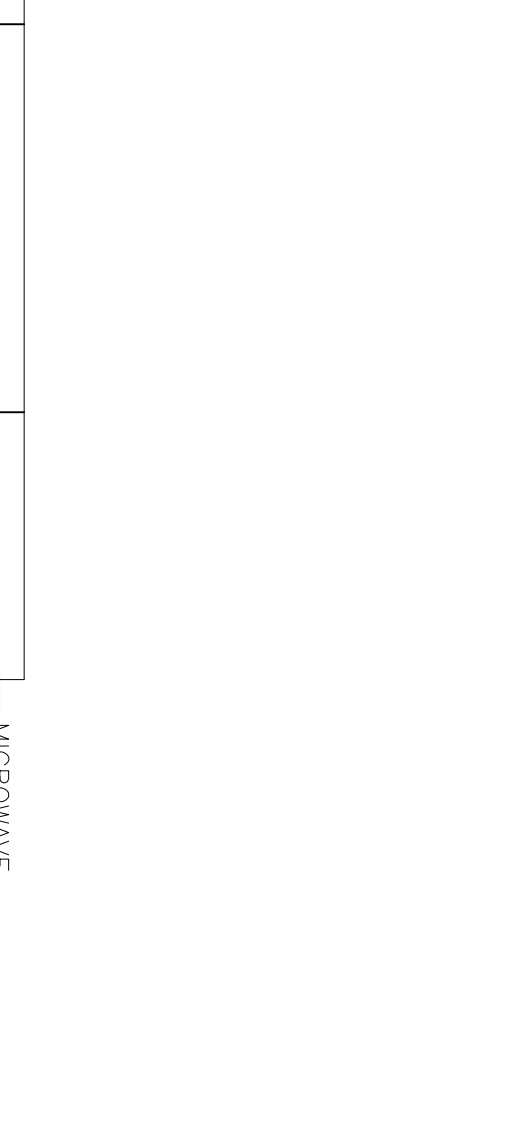
14 CLINICAL ENGINEERING
 A8.02 1/4"=1'-0"



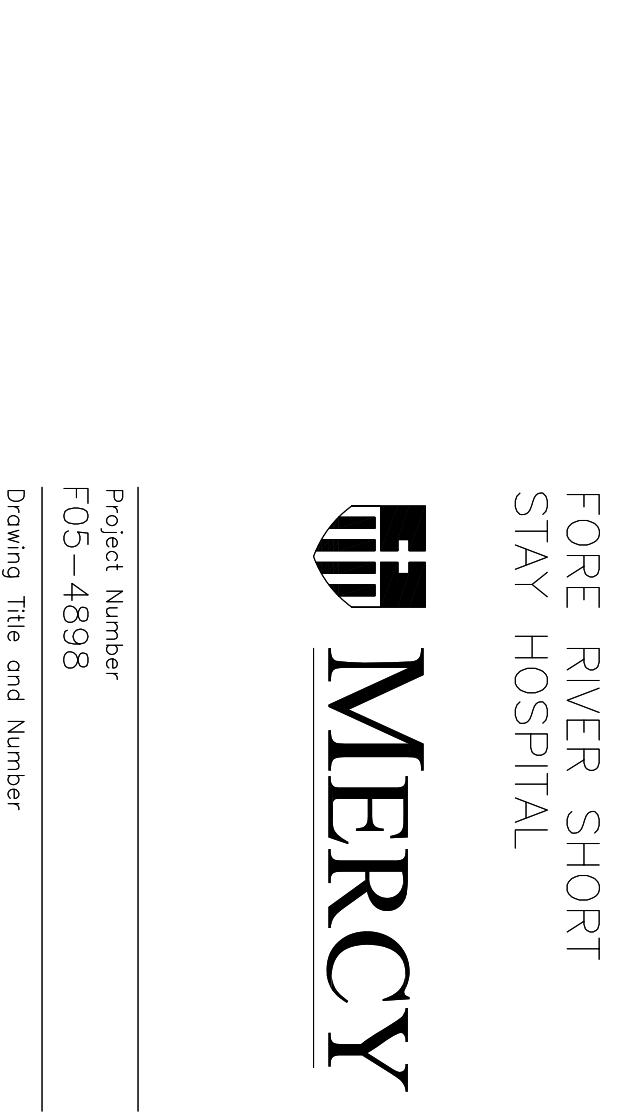
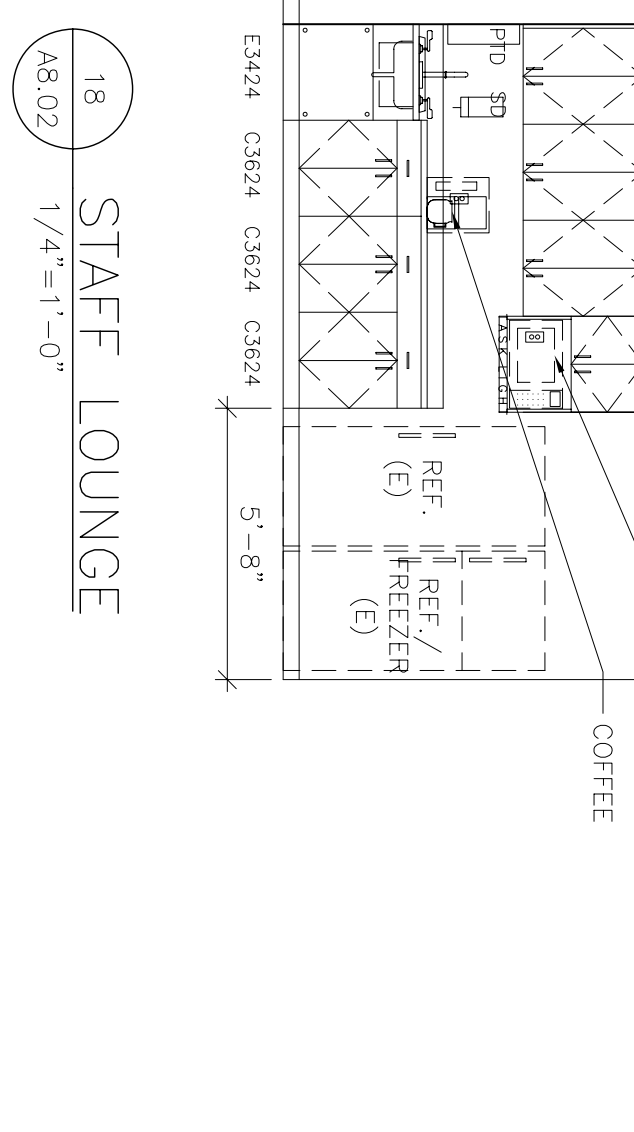
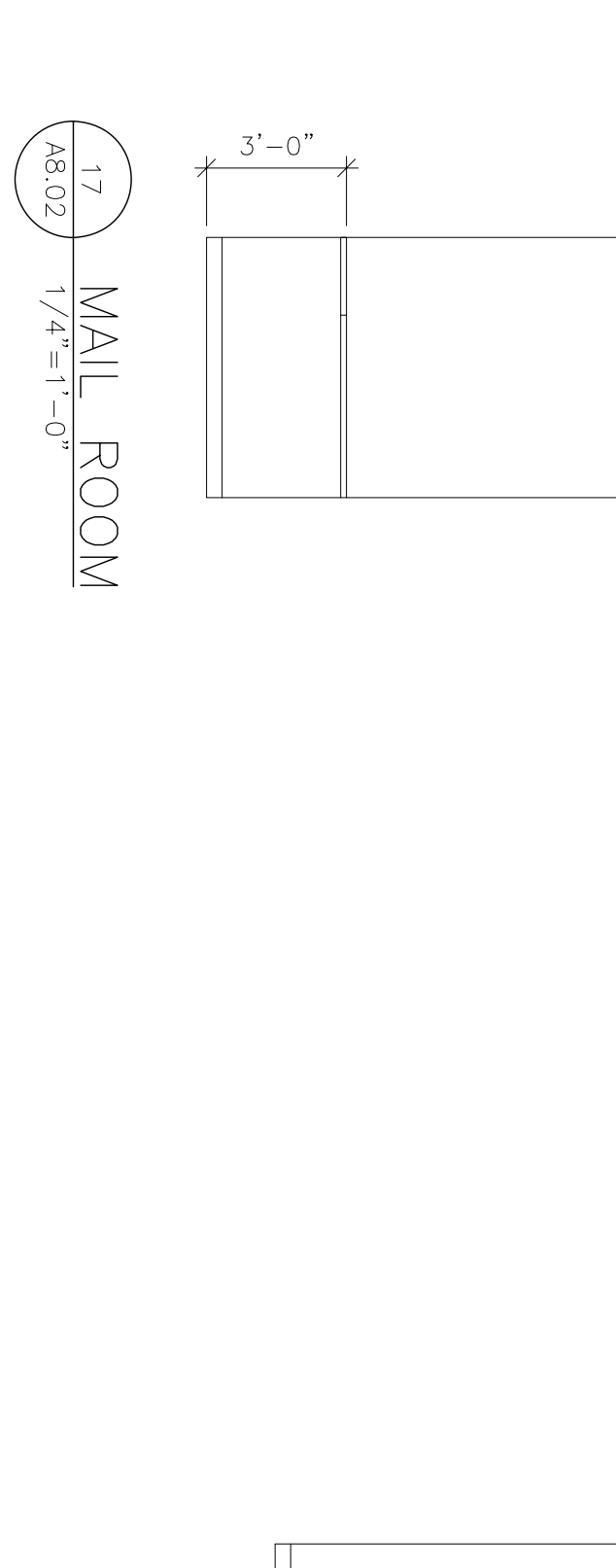
20 CLINICAL ENGINEERING
 A8.02 1/4"=1'-0"



26 CLINICAL ENGINEERING
 A8.02 1/4"=1'-0"



32 CLINICAL ENGINEERING
 A8.02 1/4"=1'-0"



38 CLINICAL ENGINEERING
 A8.02 1/4"=1'-0"