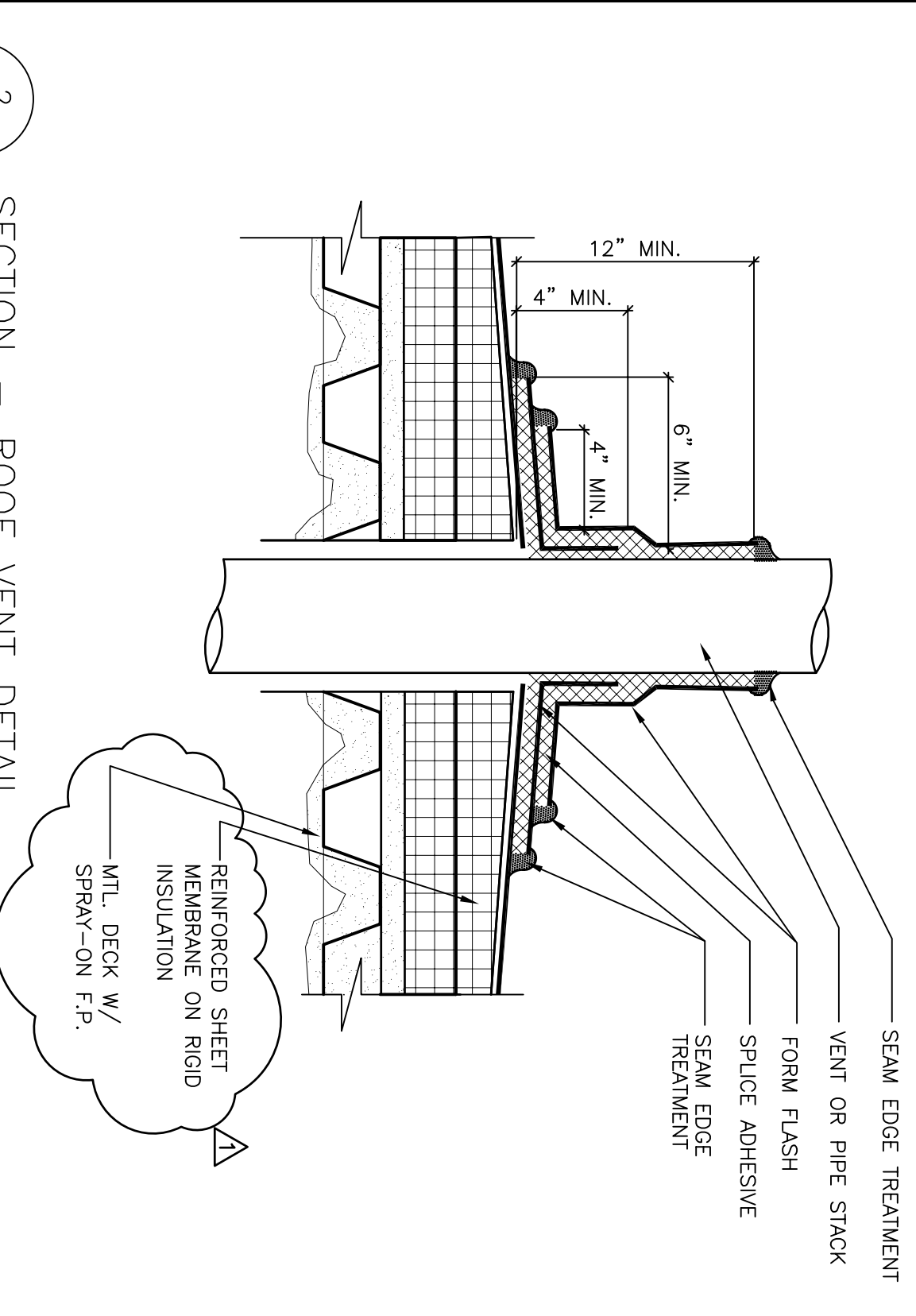
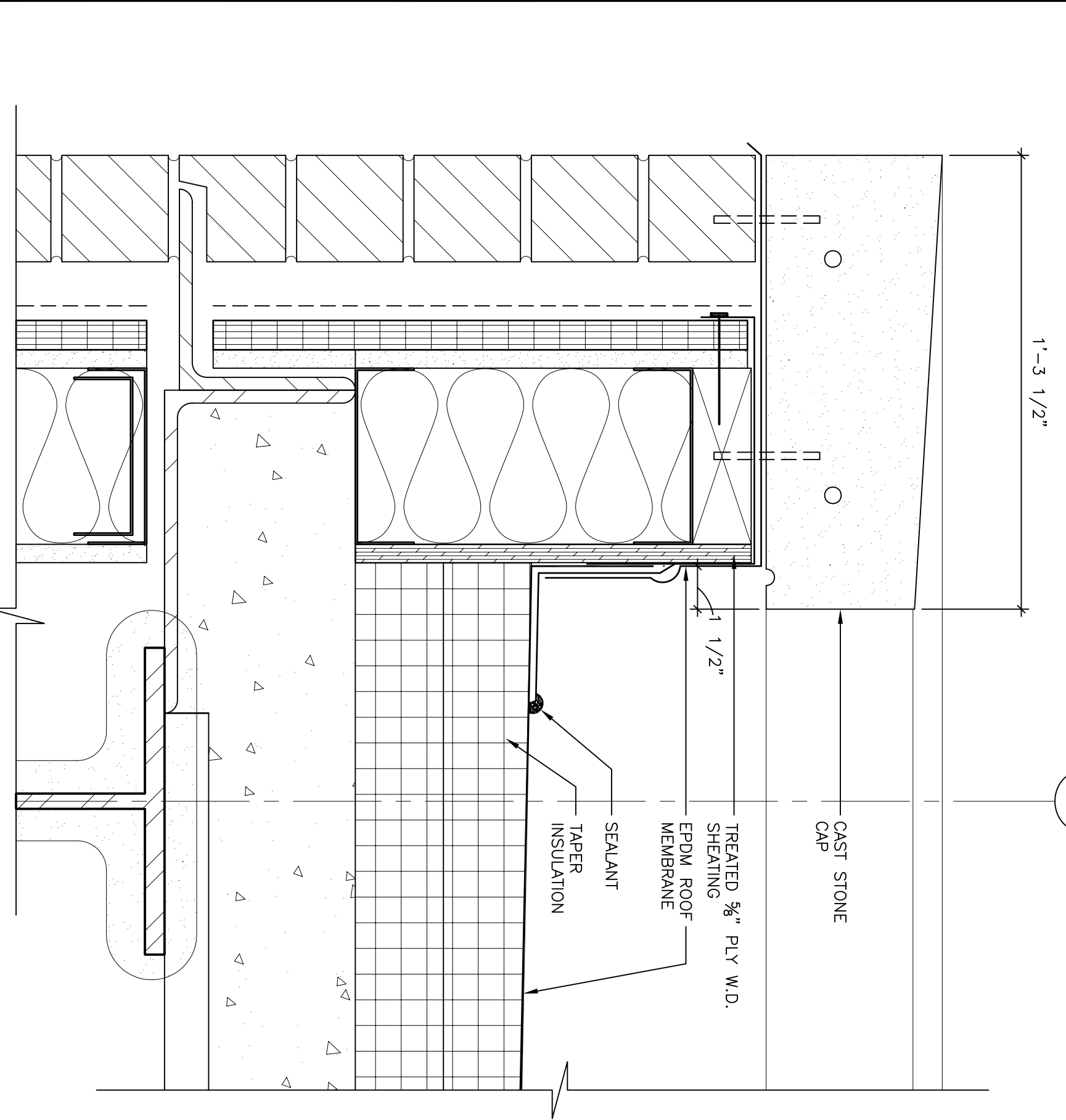


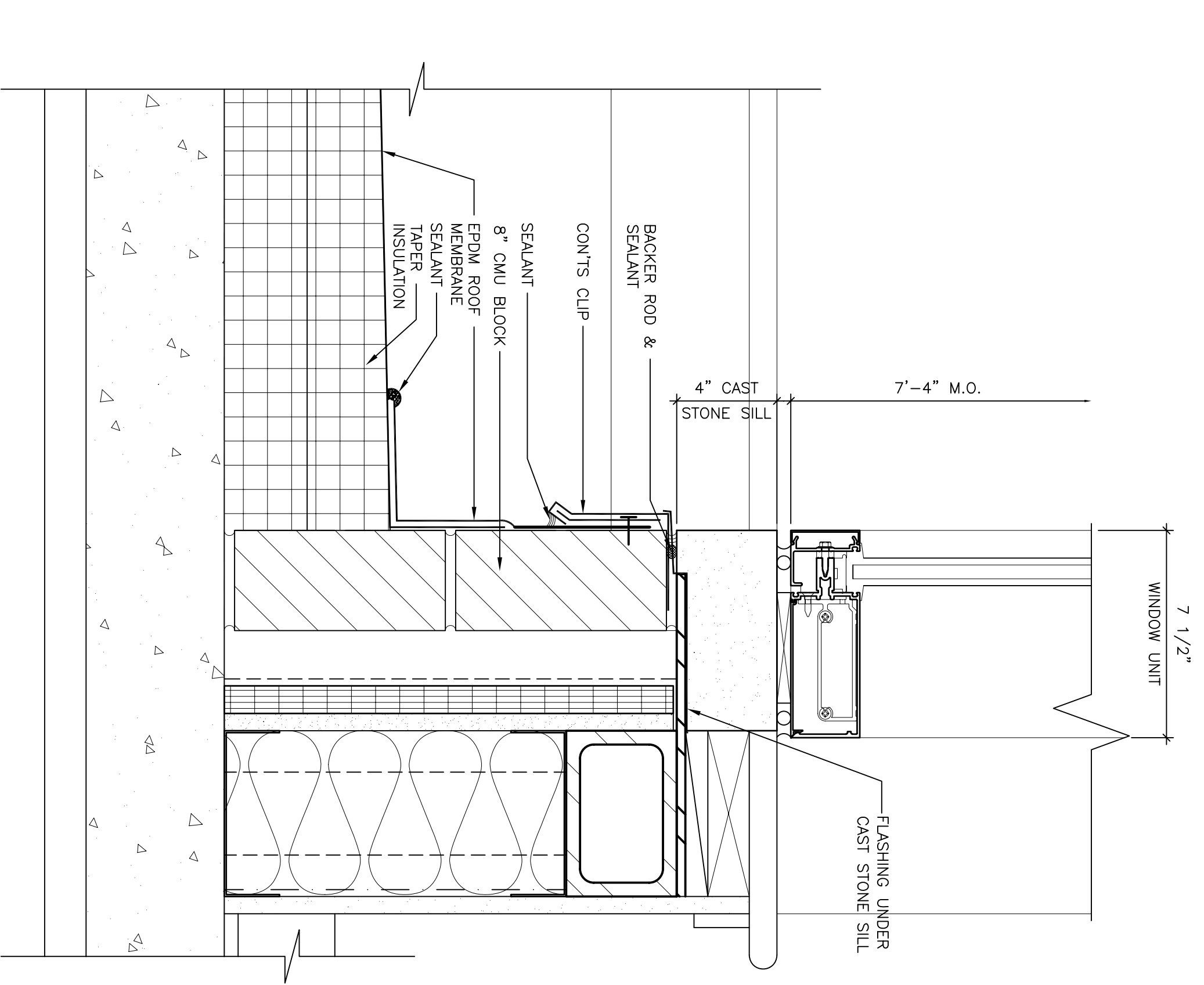
1 SECTION - ROOF DRAIN DETAIL
SCALE: 3/4"=1'-0"



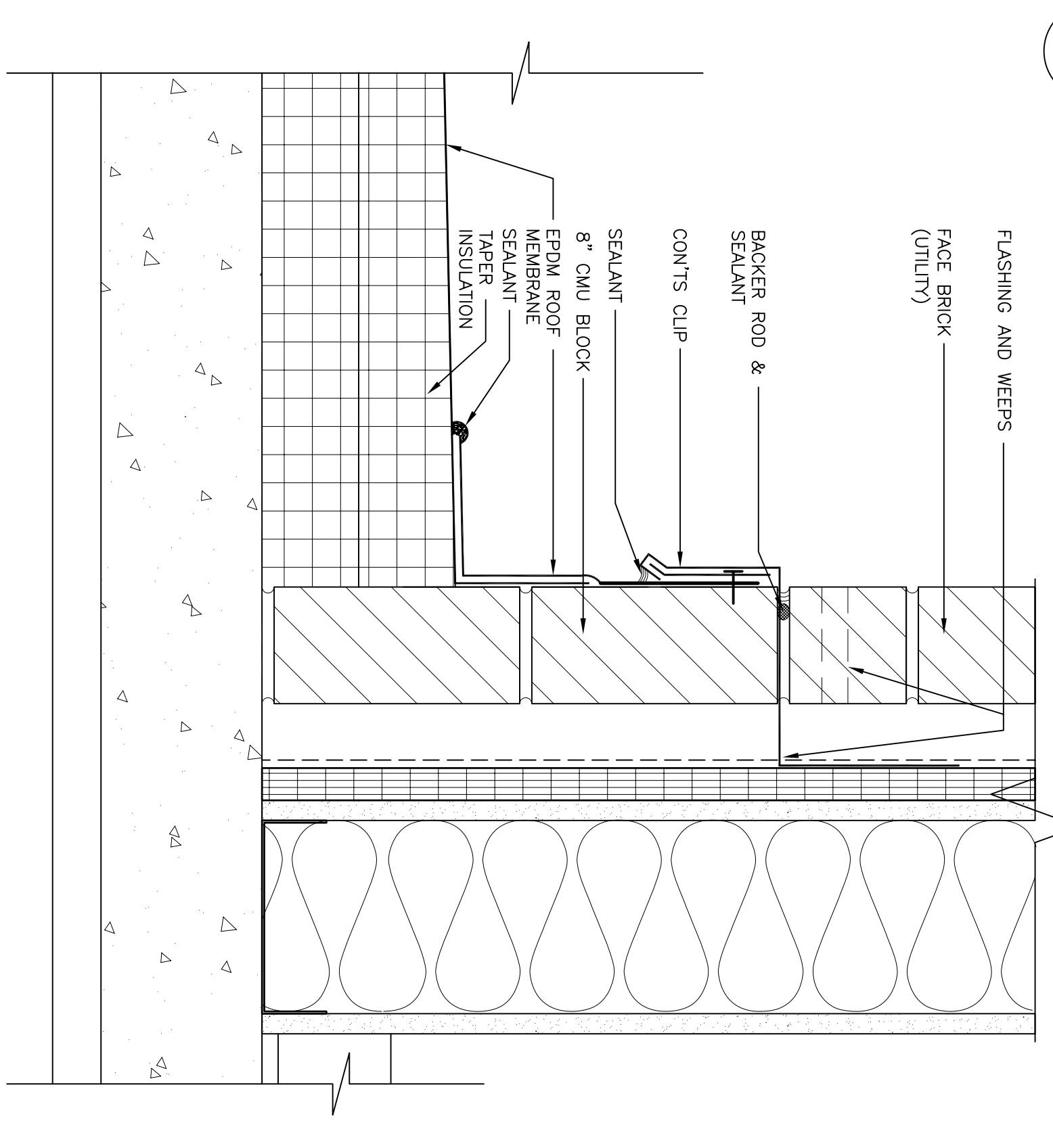
2 SECTION - ROOF VENT DETAIL
SCALE: 3/4"=1'-0"



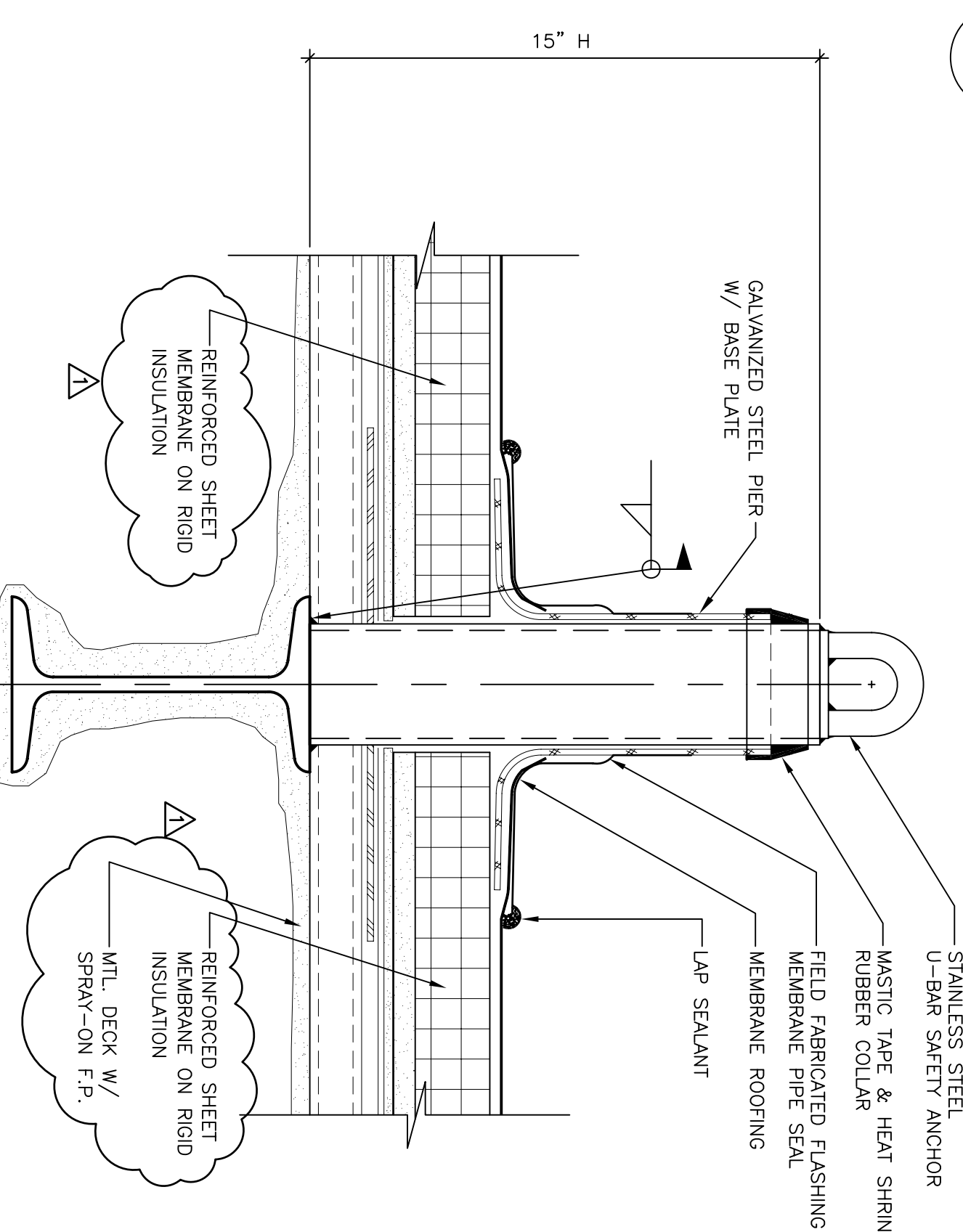
3 TYPICAL PARAPET FLASHING DETAIL
SCALE: 3/4"=1'-0"



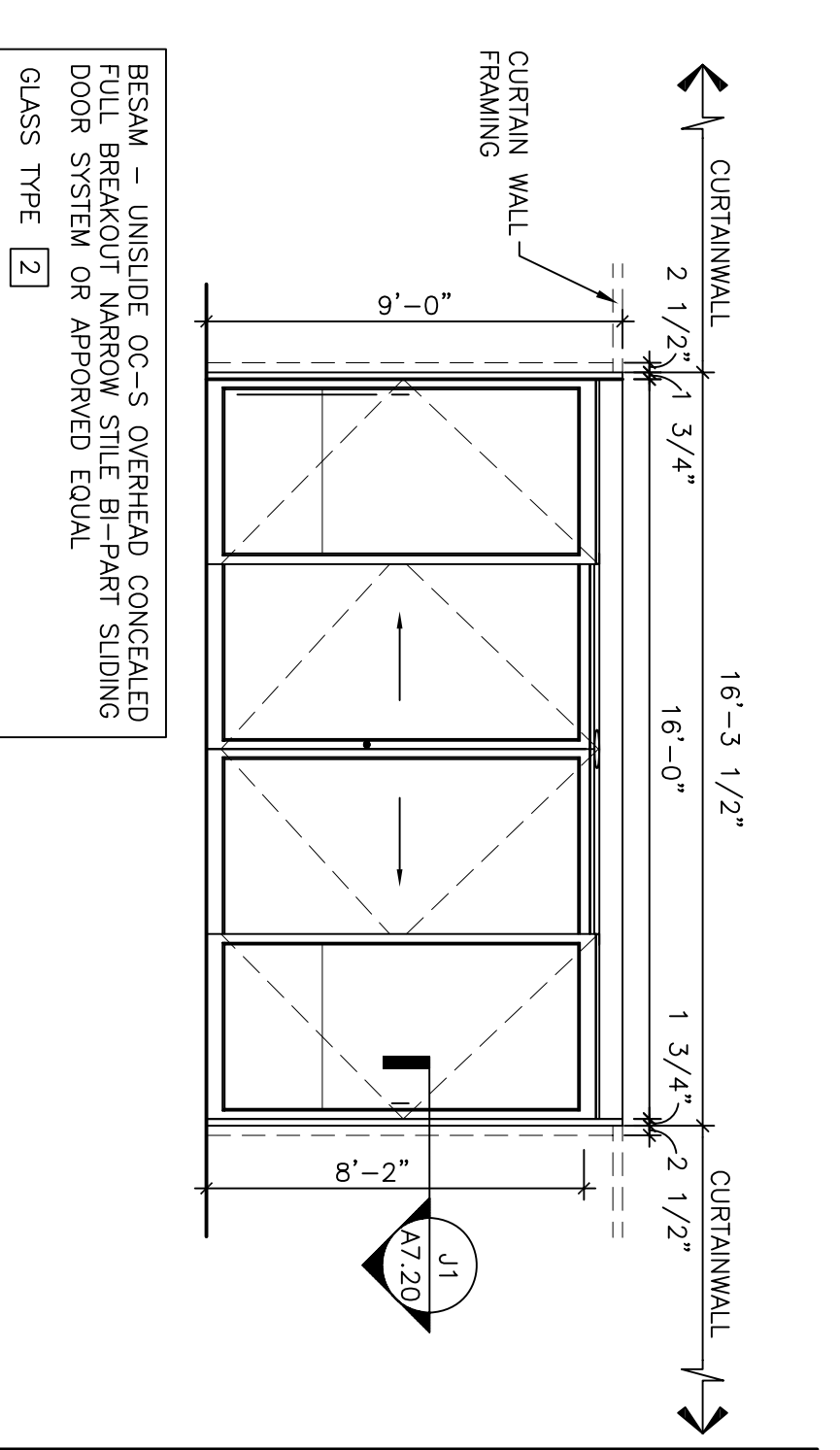
4 TYPICAL BASE FLASHING DETAIL
SCALE: 3/4"=1'-0"



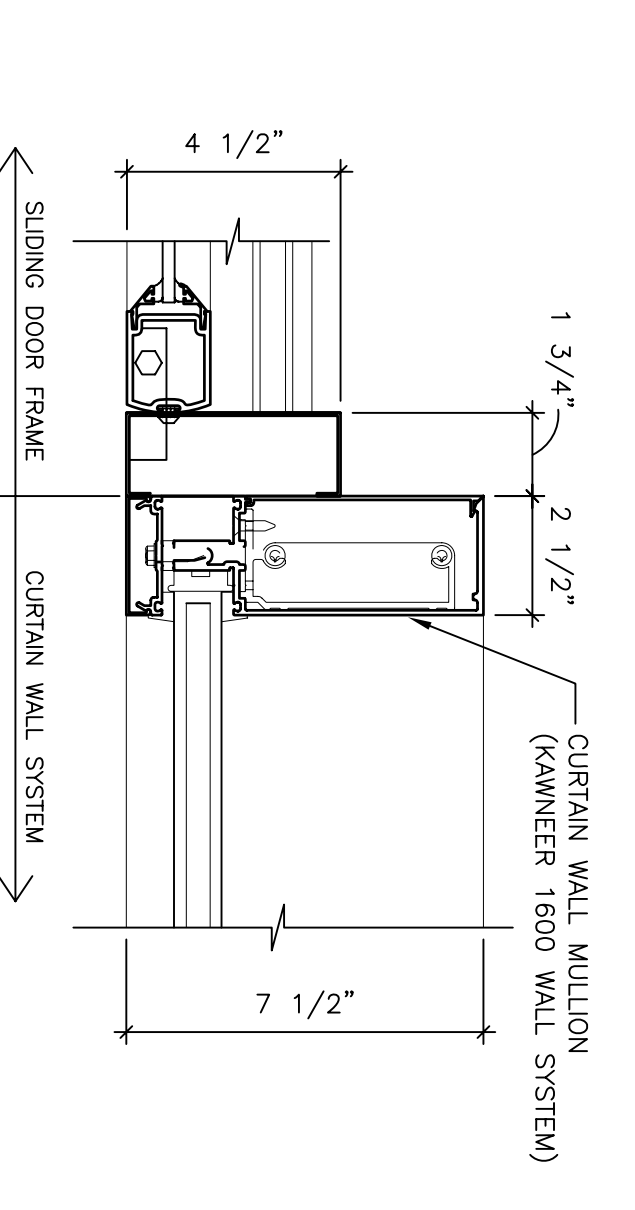
5 TYPICAL BASE FLASHING DETAIL
SCALE: 3/4"=1'-0"



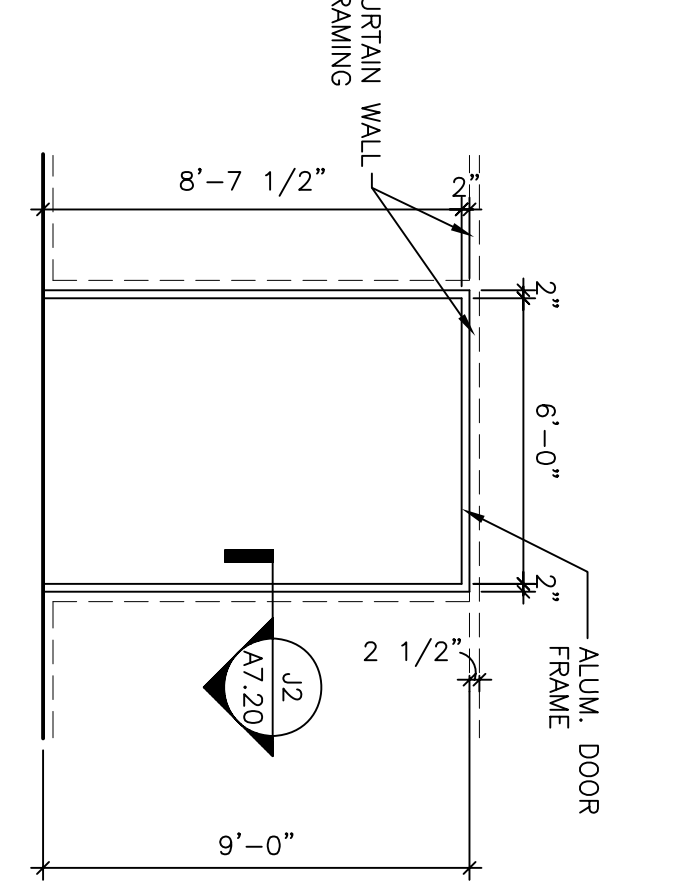
12 WINDOW WASHING ROOF ANCHOR DETAIL
SCALE: N.T.S.



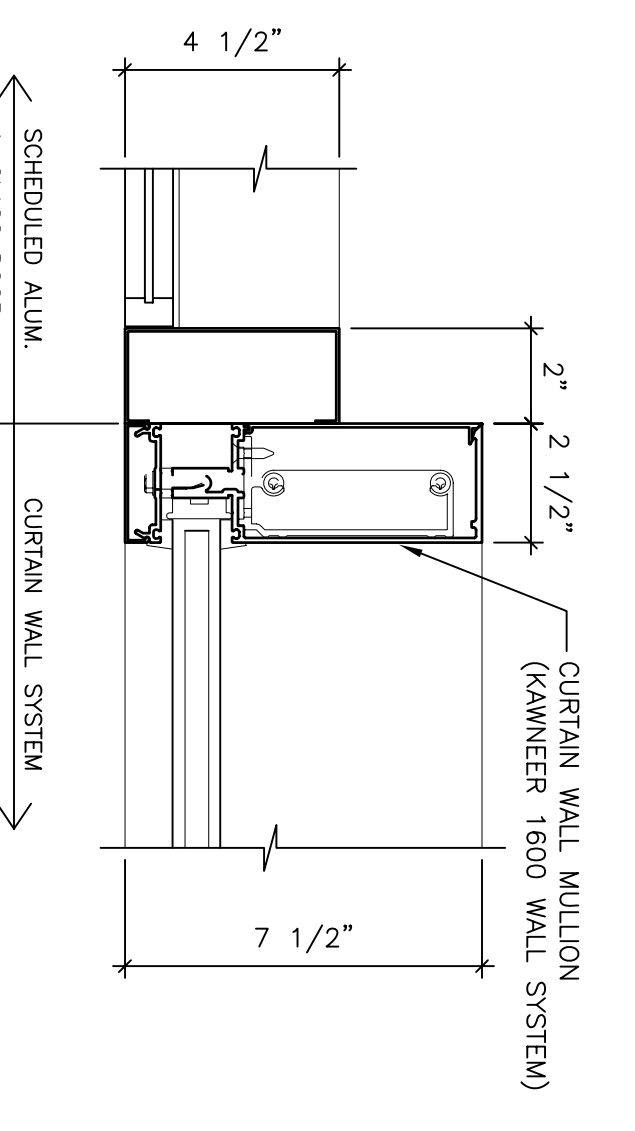
6 ALUMINUM/GLASS SLIDING ENTRANCE DOOR & VESTIBULE
SCALE: 3/4"=1'-0"



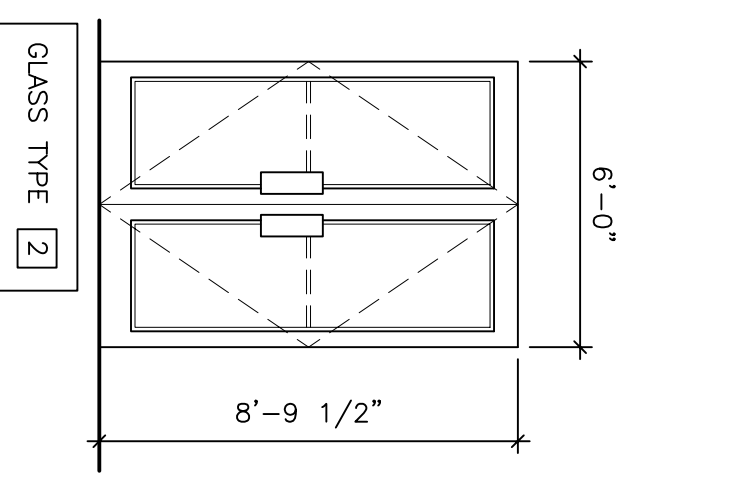
7 JAMB DETAIL - SLIDING DOOR SYSTEM @ CURTAIN WALL
SCALE: 3/4"=1'-0"



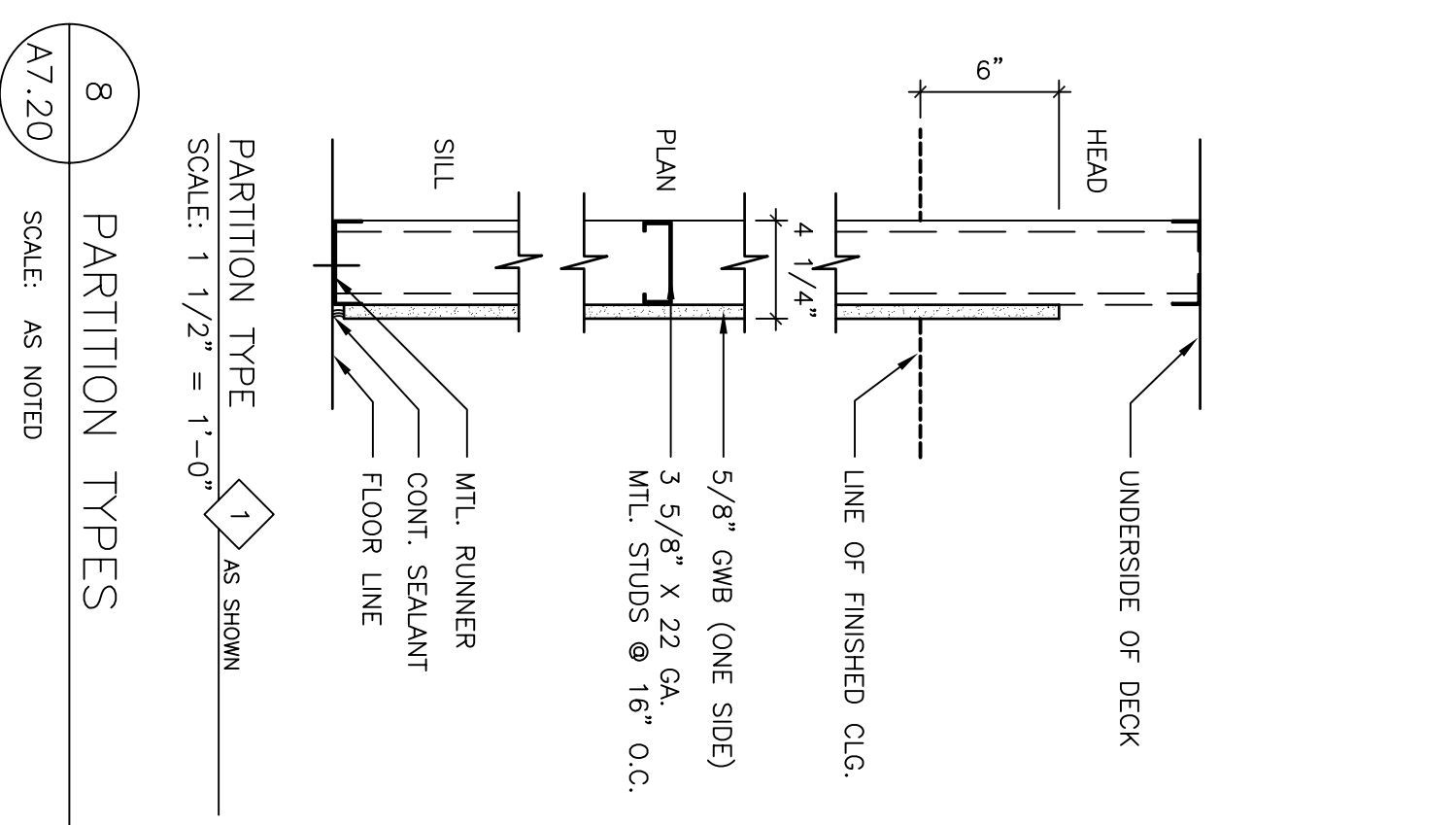
9 ALUMINUM FRAME TYPE
SCALE: 3/4"=1'-0"



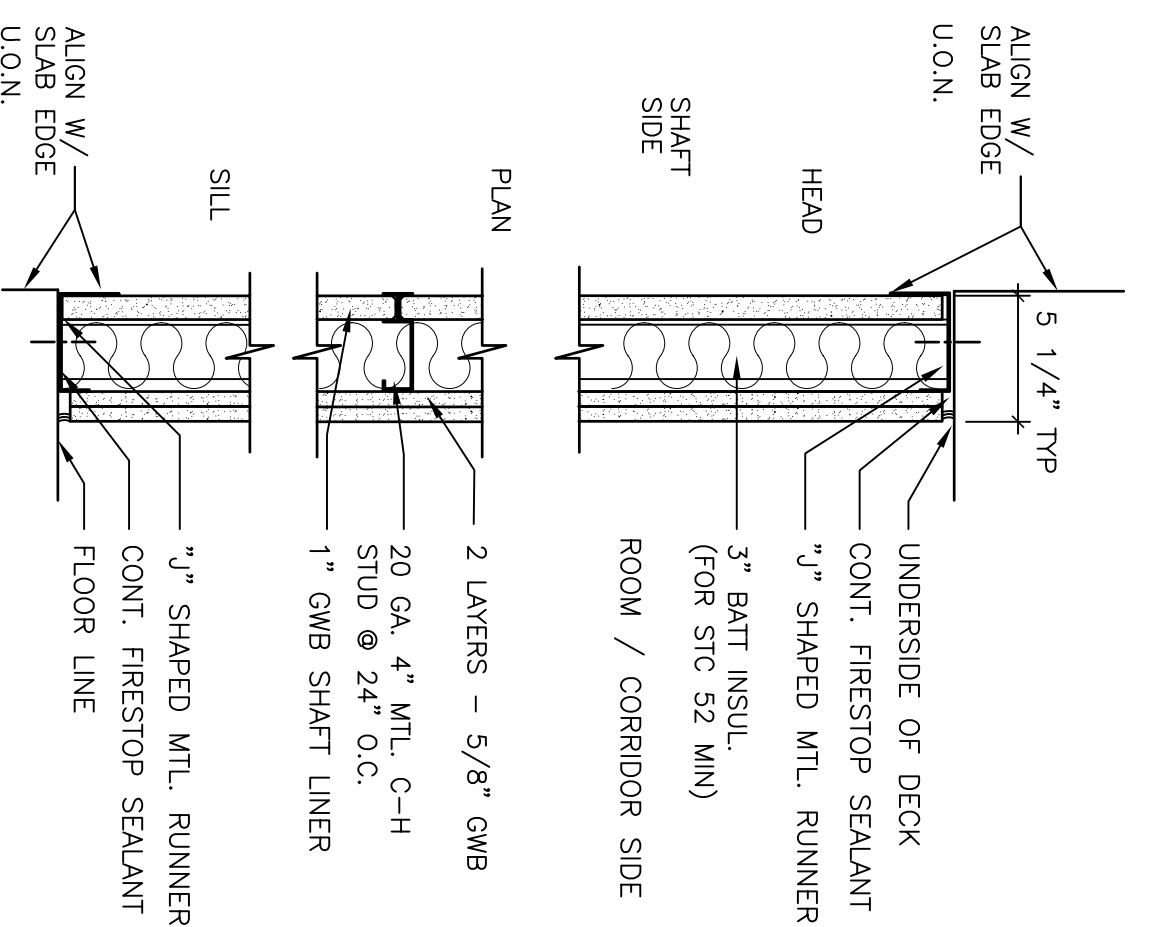
10 JAMB DETAIL - ALUM. ENTRANCE DOOR @ CURTAIN WALL
SCALE: 3/4"=1'-0"



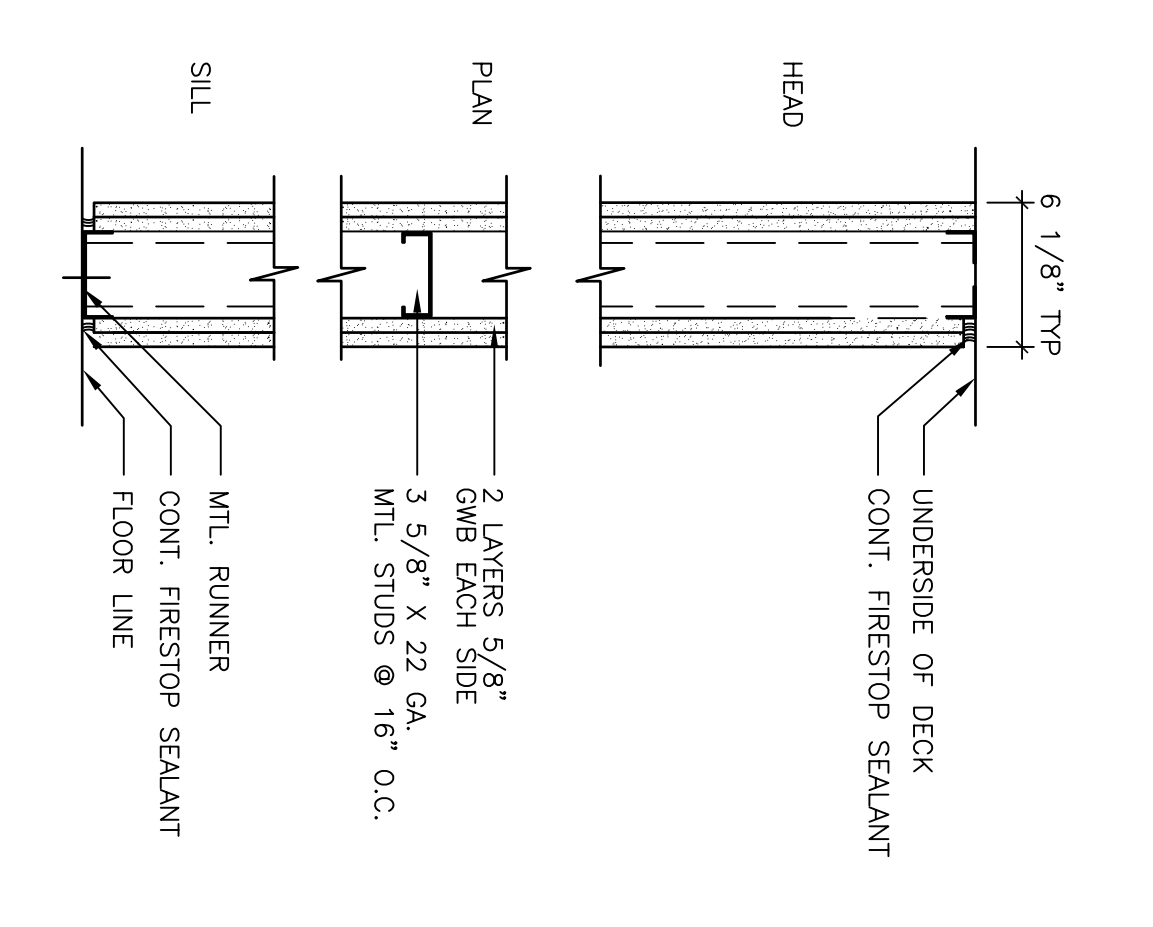
11 DOOR TYPE
SCALE: 3/4"=1'-0"



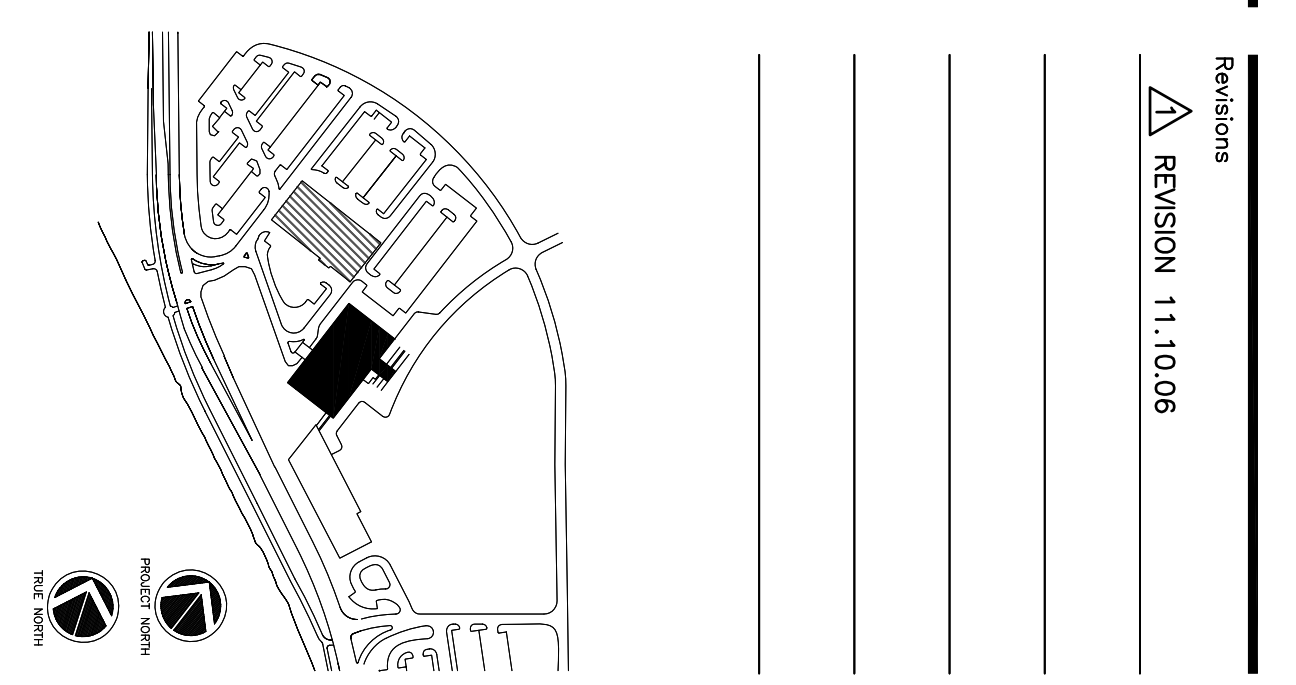
8 PARTITION TYPES
SCALE: AS NOTED



PARTITION TYPE 7 2 HOUR RATED U.L. DESIGN NO. U415
SCALE: 1 1/2\"/>



PARTITION TYPE 9 2 HOUR RATED U.L. DESIGN NO. U419
SCALE: 1 1/2\"/>



Revisions
A REVISION 11.10.06

Consultant
O&L ENGINEERS Associates, Inc.
278 Main Street, Suite 806
Providence, RI 02903
Phone: (401) 772-1121
Fax: (401) 879-0896

Consultant
MECHANICAL/ELECTRICAL ENGINEER
Burd, Roe & Atkins Consulting Engineers, LLC
311 Assonet Street, Charles
Woburn, MA 02472-5789
Phone: (617) 224-3118
Fax: (617) 224-9339

Consultant
EQUIPMENT PLANNING
Ergo Building & Associates
144 Fore Street P.O. Box 618
Providence, Rhode Island 02907
Phone: (401) 772-3846
Fax: (401) 772-1070

Consultant
CONSTRUCTION MANAGER
7 Jackson Highway
Providence, Rhode Island 02903
Phone: (401) 458-5516
Fax: (401) 458-5516

Consultant
FOOT SERVICES
1808 West End Ave, Suite 1400
Providence, Rhode Island 02903
Phone: (401) 321-5591
Fax: (401) 321-5689

Consultant
MAF/ALV/CLB/CLW/LMS
10.02.06 FOR CONSTRUCTION
DATE: 10.02.06
SCALE: AS NOTED

Francis Coffman
Foley Hoffmann
Architects Ltd.
210 Acorn Street
Philadelphia, PA 19103
Phone: 215-568-6250

MERCY
Mercy Health
System of Maine
FORE RIVER SHORT
STAY HOSPITAL

A7.20