

Revisions

Consultant
CML ENGINEERS
 278 Main Street, Suite 806
 Portland, Maine 04102
 Phone: (207) 772-1121
 Fax: (207) 893-0886

Consultant
SMART ARCHITECT/STRUCTURAL ENGINEER
 144 Fore Street P.O. Box 618
 Portland, Maine 04102
 Phone: (207) 772-2846
 Fax: (207) 772-1070

Consultant
MECHANICAL/ELECTRICAL ENGINEER
 Bart, Roe & Atkins Consulting Engineers, LLC
 311 Arsenal Street
 Portland, ME 04102
 Phone: (207) 772-1121
 Fax: (207) 772-1121

Consultant
EQUIPMENT PLANNING
 Greg Barton & Associates
 700 Commercial Street
 Portland, Tennessee 37087
 Phone: (615) 321-5991
 Fax: (615) 321-5991

Consultant
CONSTRUCTION MANAGER
 Construction Management
 7 Jackson Millway
 Providence, Rhode Island 02903
 Phone: (401) 458-5816
 Fax: (401) 458-5816

Consultant
POOL SERVICE
 Pool Service, LLC
 1808 West End Ave. Suite 1400
 Portland, ME 04102
 Phone: (615) 321-5991
 Fax: (615) 321-5991

Date
 10.02.06
 FOR CONSTRUCTION

Drawn By
 MAF/JLV/CLB/CLW/LMS

AS NOTED

Francis

Coffman

Roley

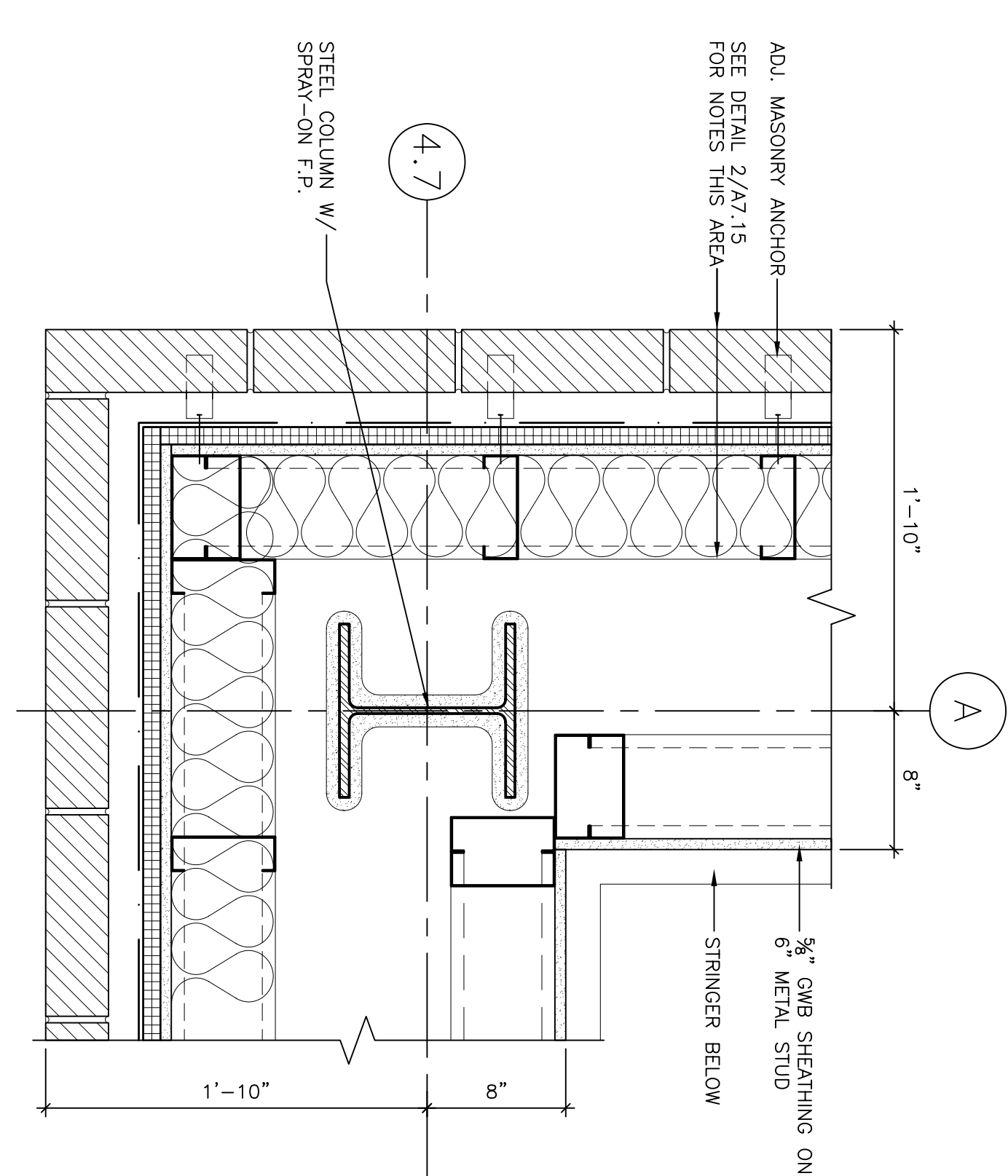
Hoffmann

Francis Coffman
 Chief Architect
 2120 Acin Street
 Philadelphia, PA 19103
 Phone: 215-568-6250

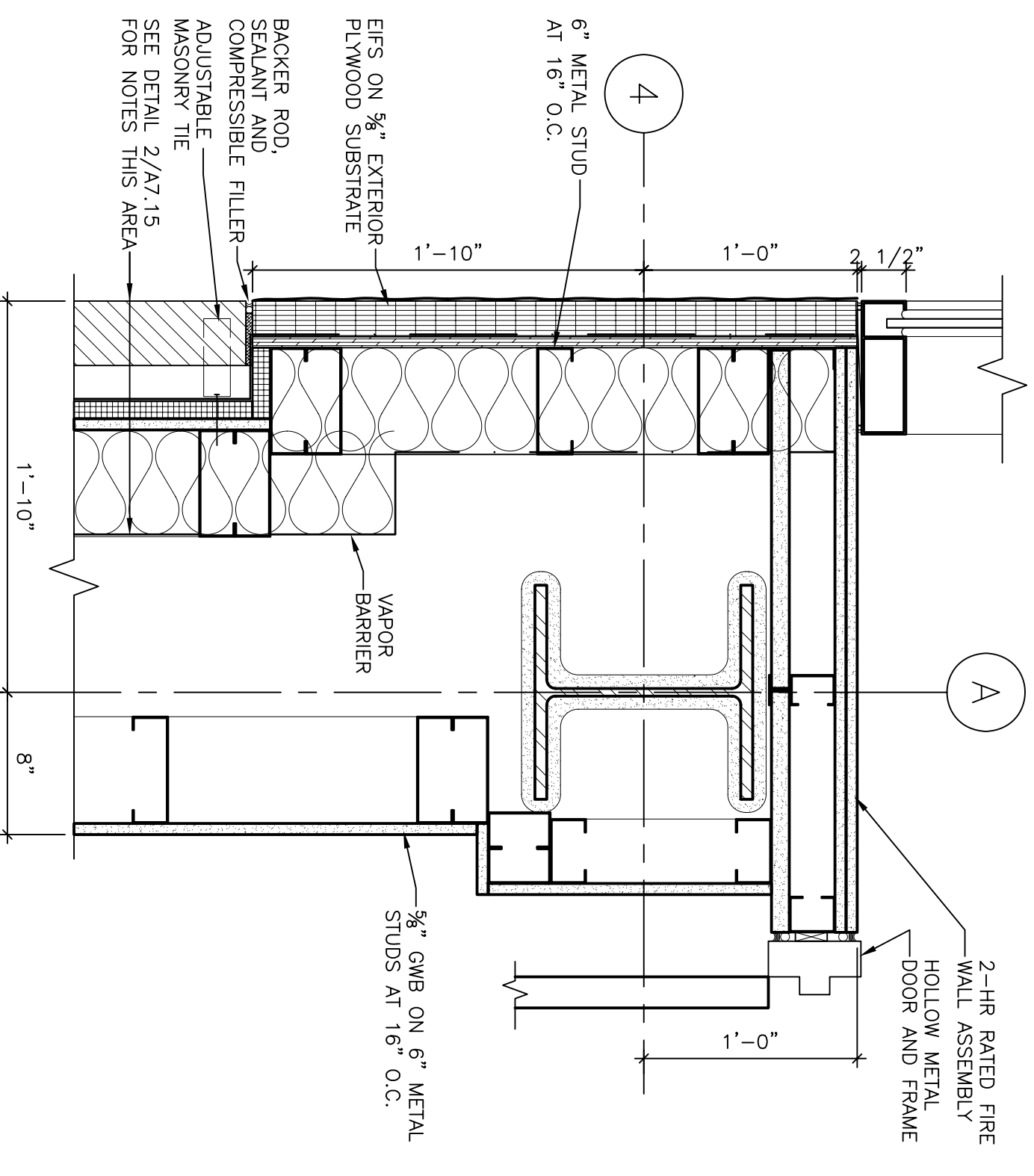


Mercy Health
 System of Maine
 FORE RIVER SHORT
 STAY HOSPITAL

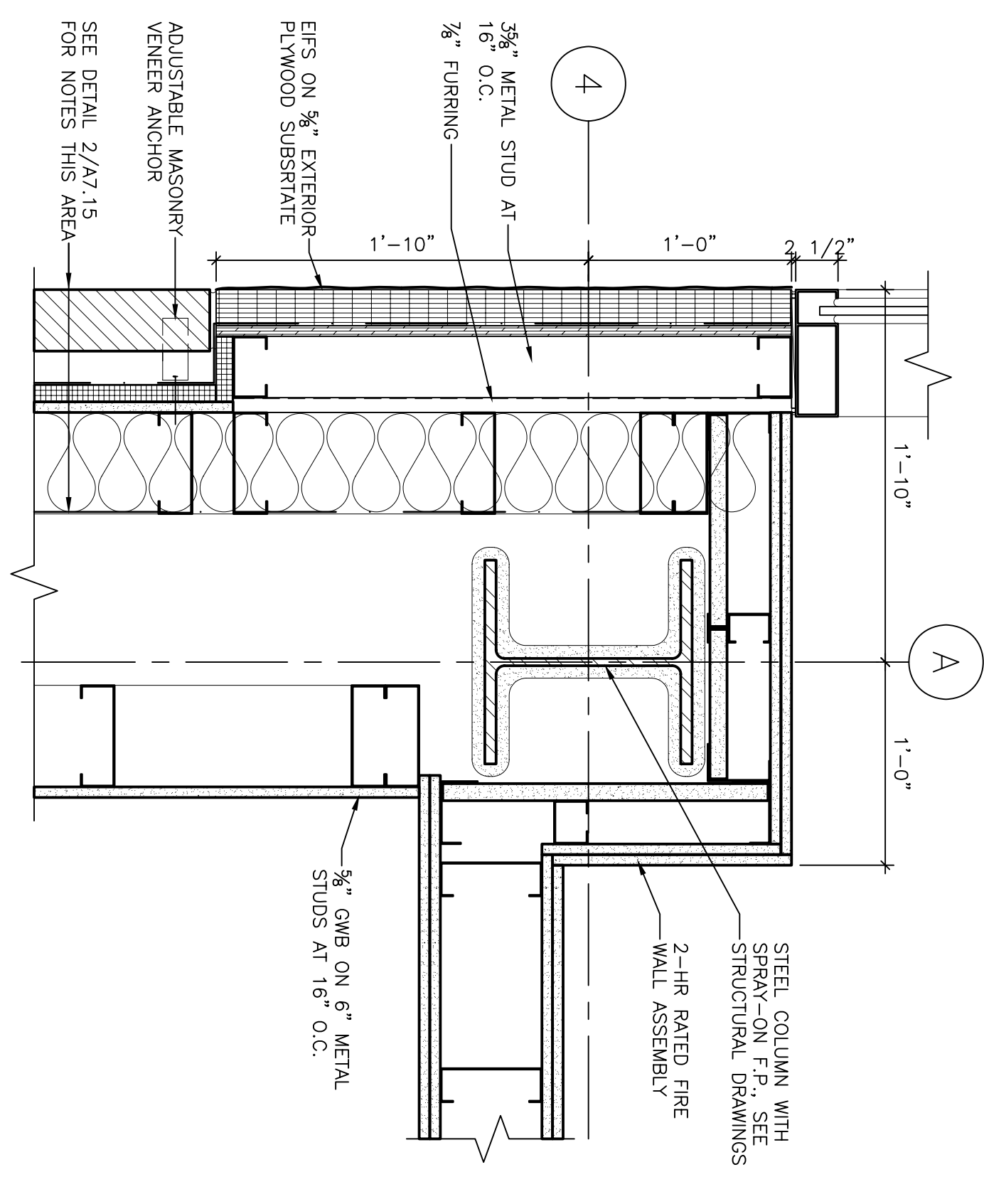
Project Number
 F05-4989
 Drawing Title and Number
 Plan Details at Stairs
A7.15



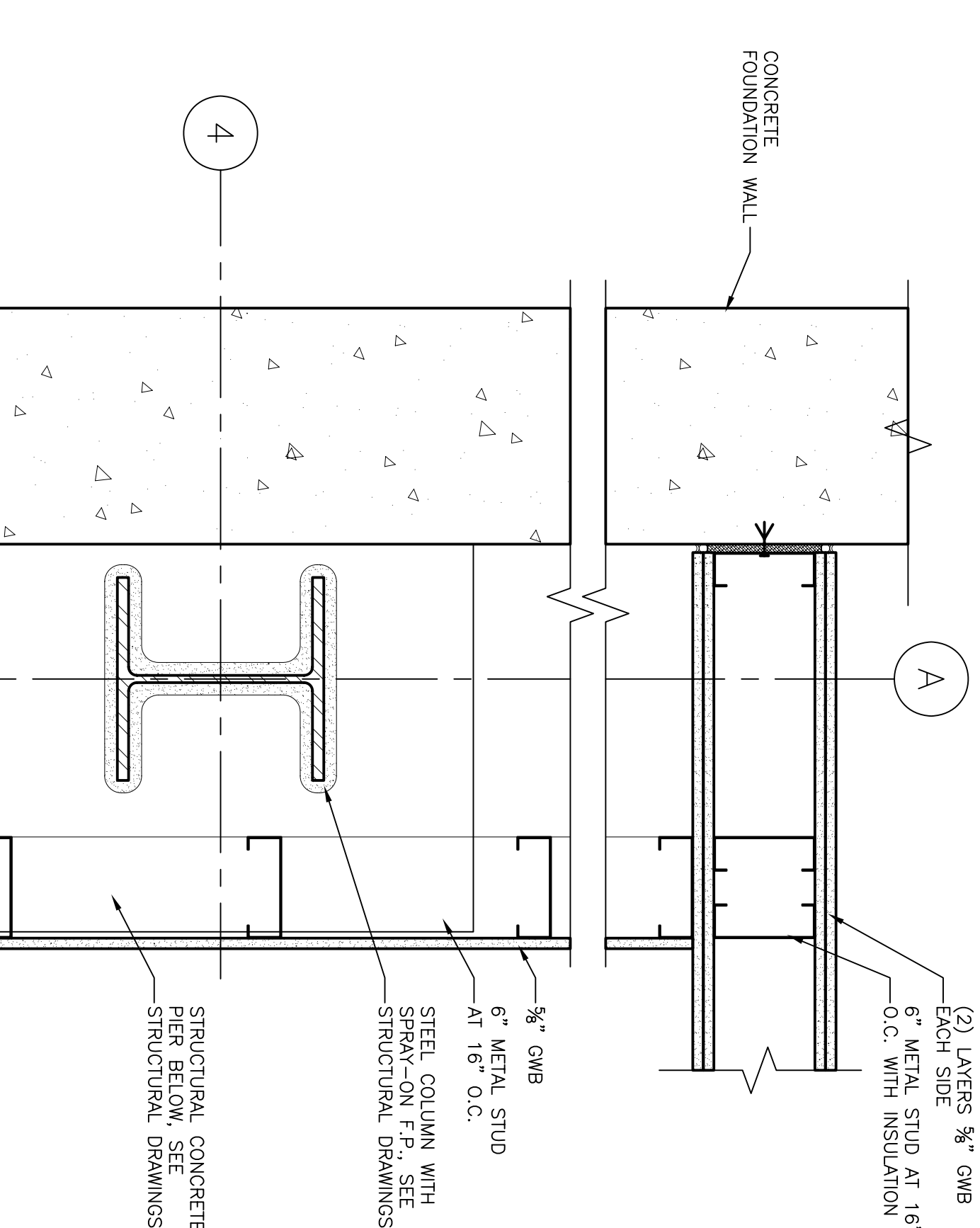
10 PLAN DETAIL -FIFTH FLOOR
 SCALE: 1/2"=1'-0"



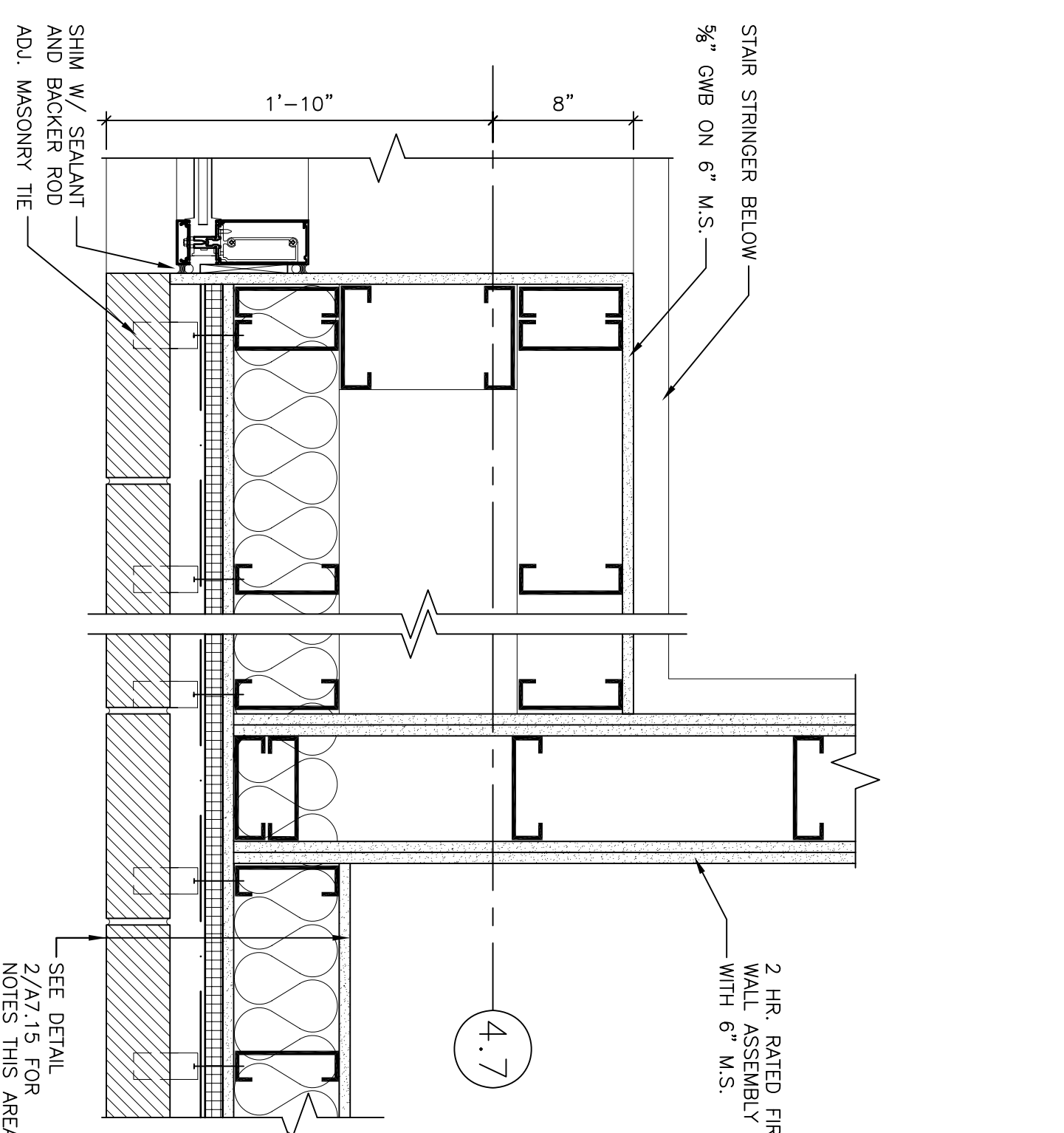
7 PLAN DETAIL -THIRD AND FOURTH FLOOR
 SCALE: 1/2"=1'-0"



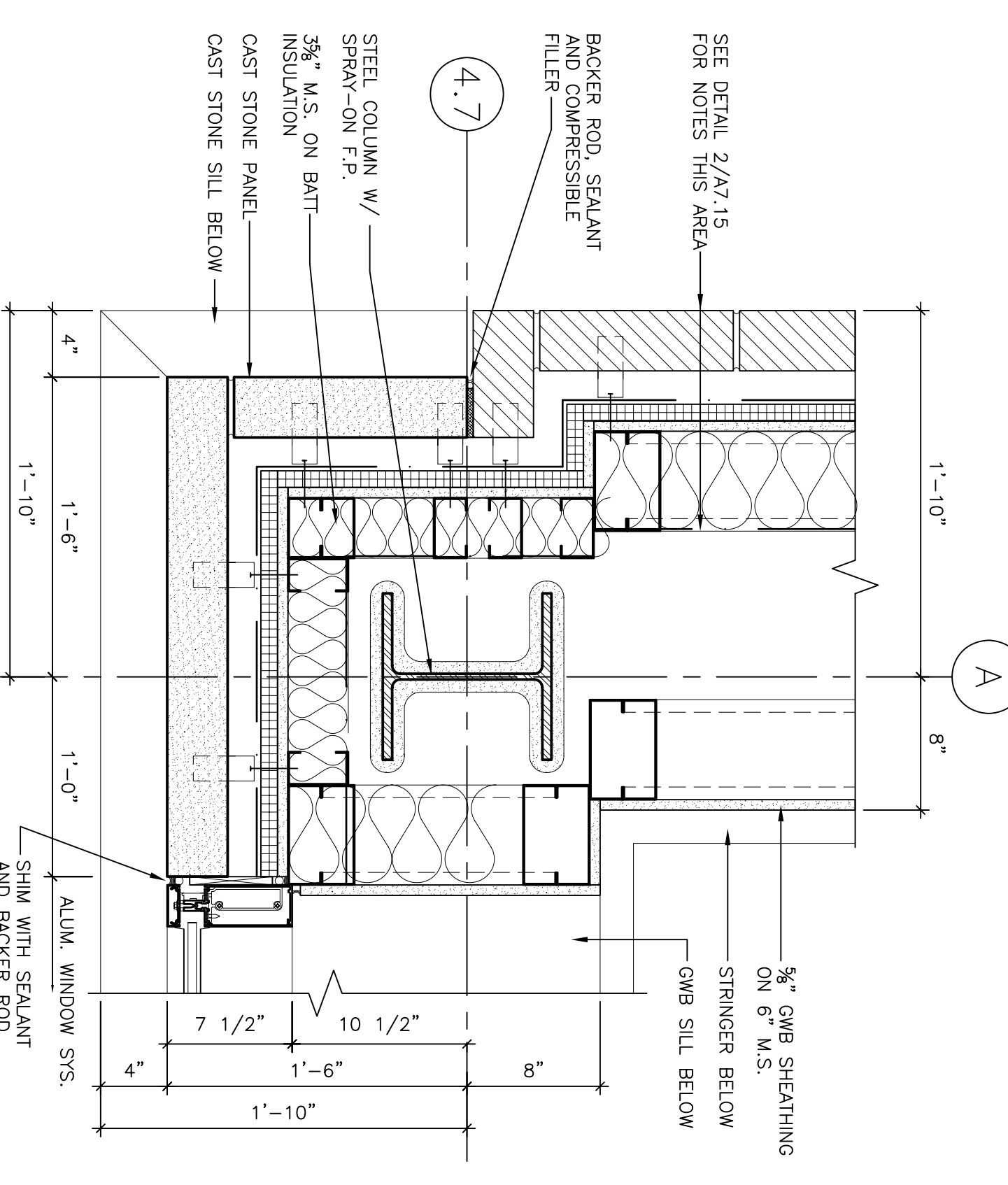
5 PLAN DETAIL -SECOND FLOOR
 SCALE: 1/2"=1'-0"



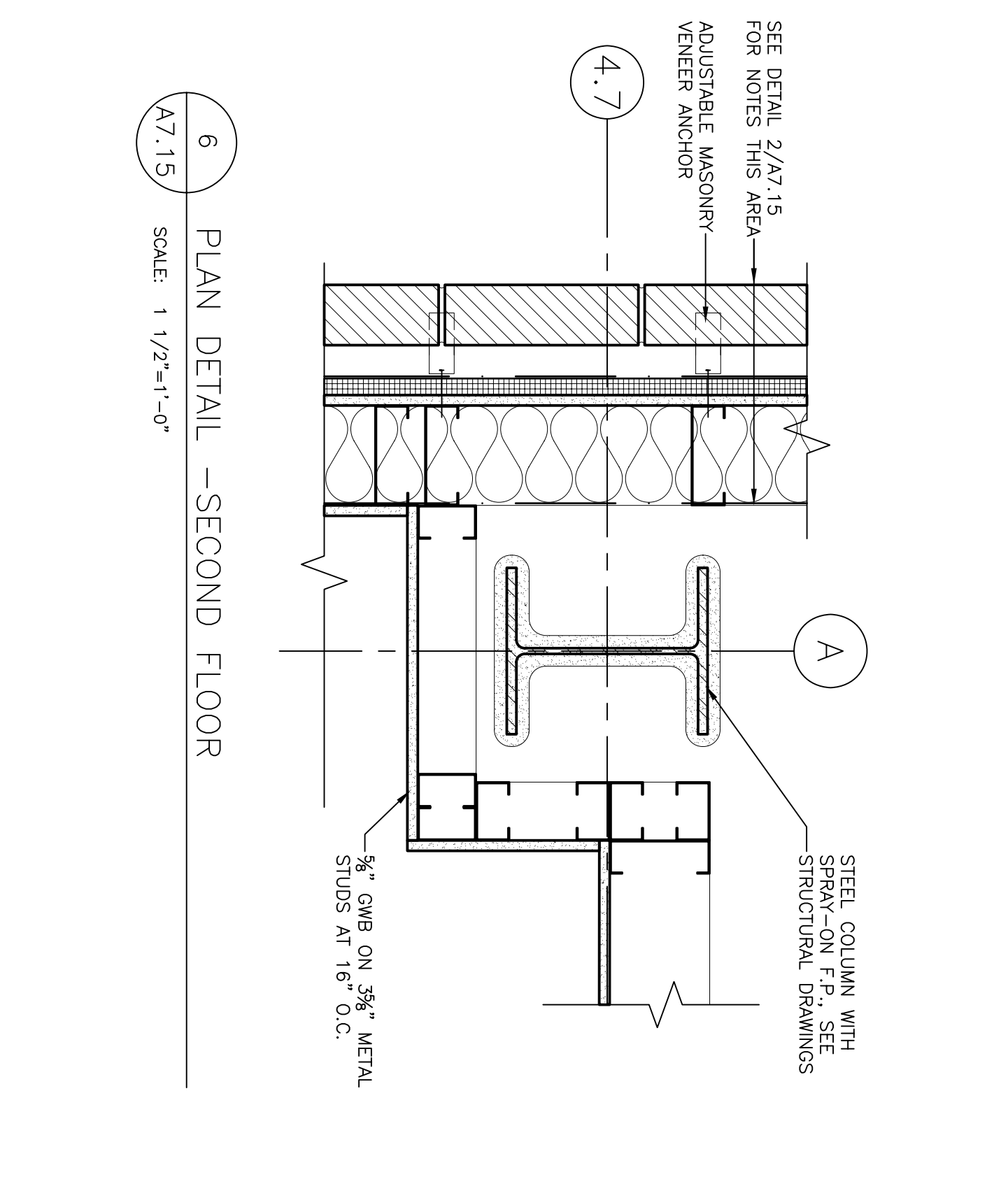
1 PLAN DETAIL -GROUND FLOOR
 SCALE: 1/2"=1'-0"



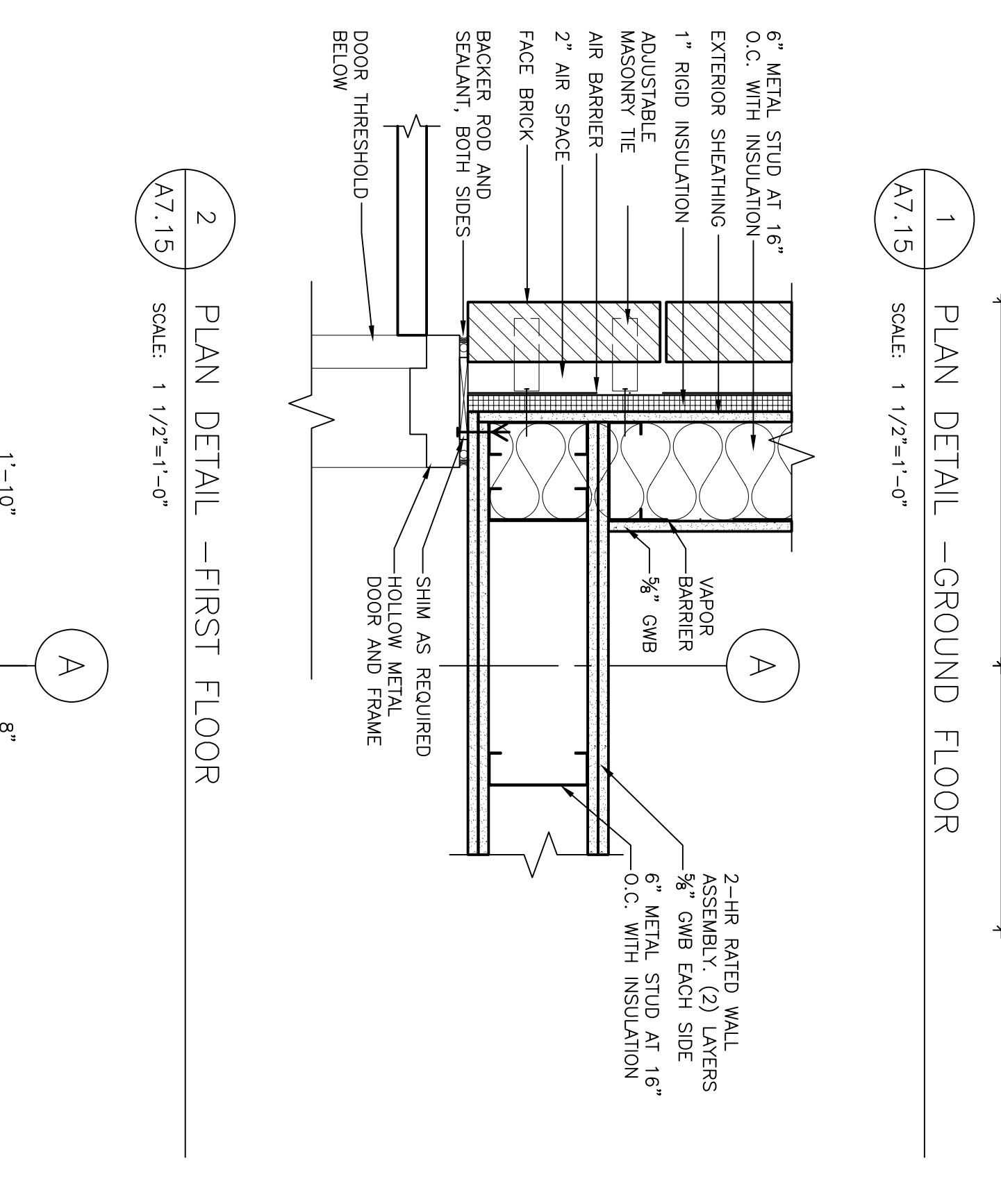
11 PLAN DETAIL -THIRD AND FOURTH FLOOR
 SCALE: 1/2"=1'-0"



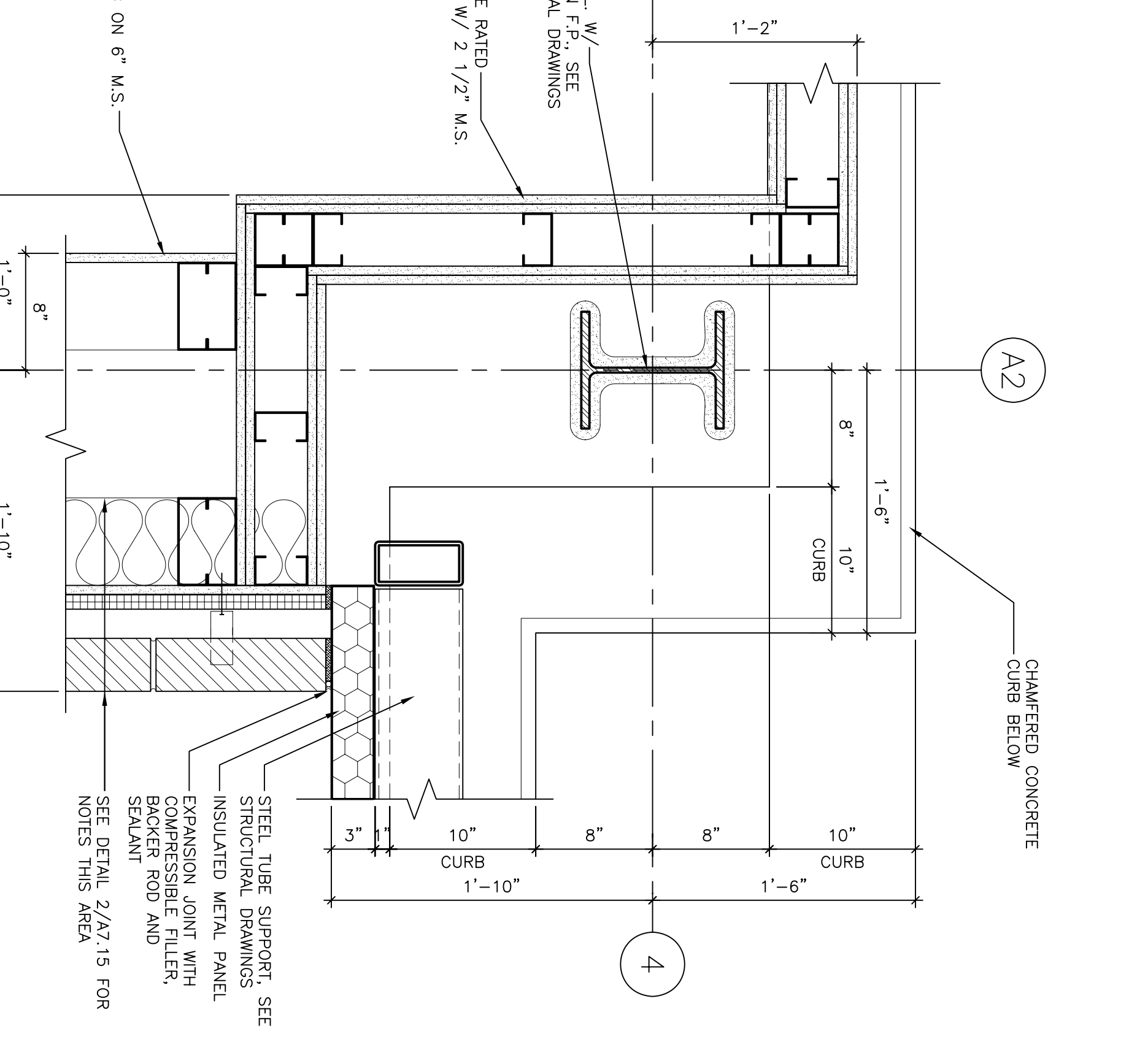
8 PLAN DETAIL -THIRD AND FOURTH FLOOR
 SCALE: 1/2"=1'-0"



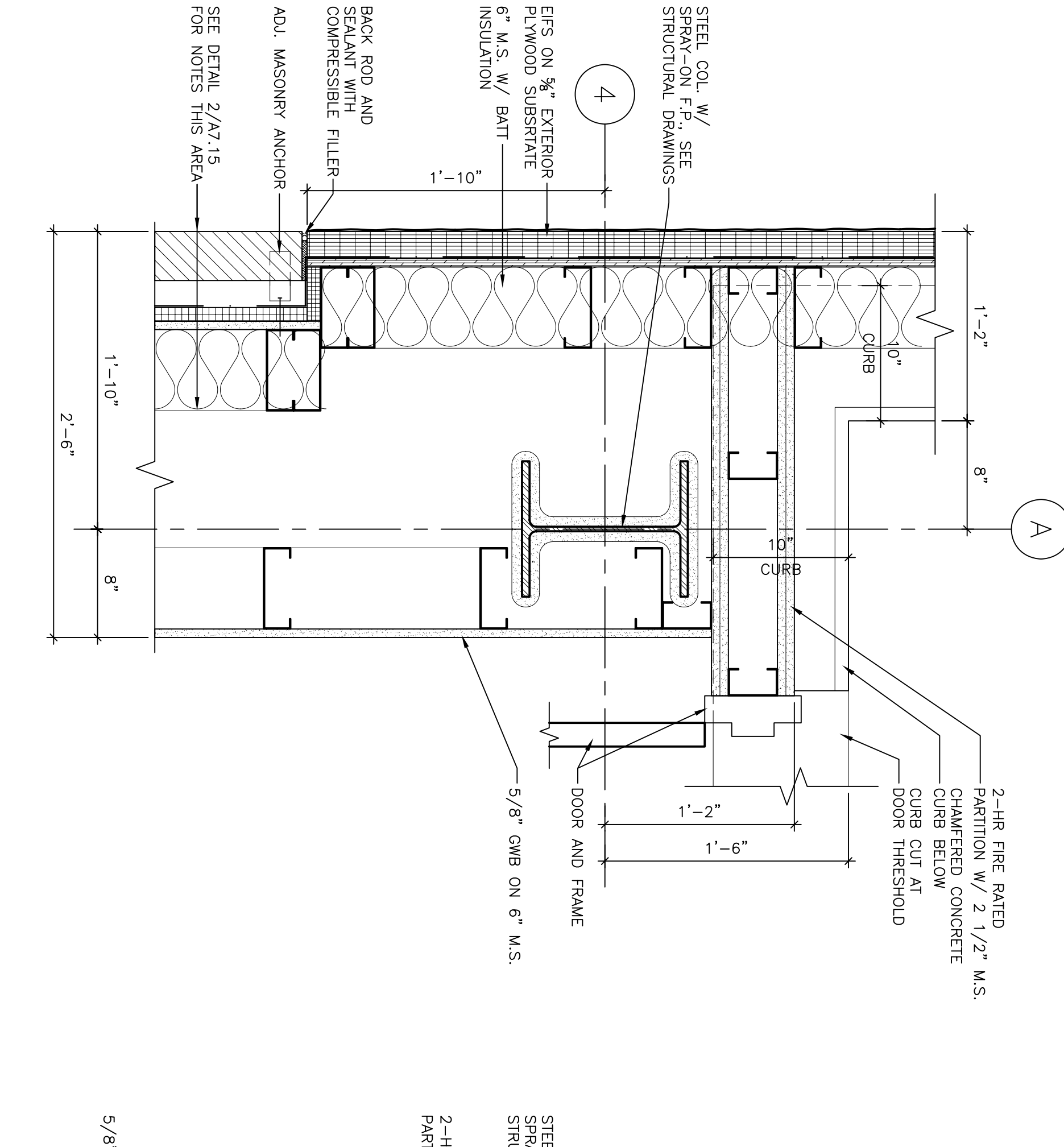
6 PLAN DETAIL -SECOND FLOOR
 SCALE: 1/2"=1'-0"



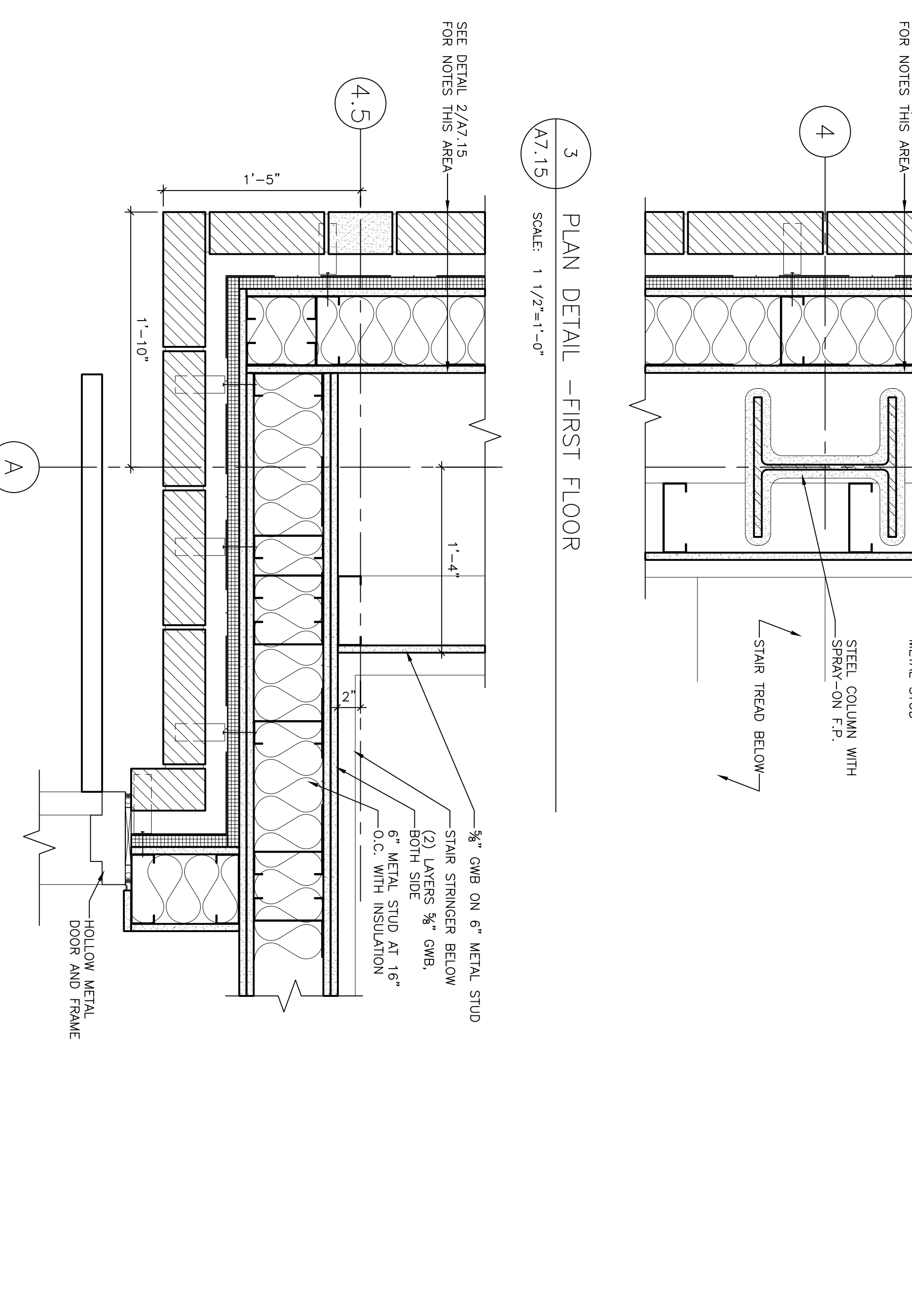
2 PLAN DETAIL -FIRST FLOOR
 SCALE: 1/2"=1'-0"



12 PLAN DETAIL -FIFTH FLOOR
 SCALE: 1/2"=1'-0"



9 PLAN DETAIL -FIFTH FLOOR
 SCALE: 1/2"=1'-0"



4 PLAN DETAIL -FIRST FLOOR
 SCALE: 1/2"=1'-0"