

Consultant
 CIVIL ENGINEER
 CMV ENGINEERS Associates, Inc.
 278 Main Street, Suite 806
 Philadelphia, PA 19103
 Phone: (207) 772-1121
 Fax: (207) 893-0896

Consultant
 MECHANICAL/ELECTRICAL ENGINEER
 BIRD, ROY & ATHENS Consulting Engineers, LLC
 311 Arsenal Street
 Worcester, MA 02272-5789
 Phone: (508) 853-1100
 Fax: (508) 853-1110

Consultant
 EQUIPMENT PLANNING
 Equipment Planning & Associates
 144 Fore Street P.O. Box 618
 Philadelphia, PA 19103
 Phone: (207) 772-3846
 Fax: (207) 772-1070

Consultant
 CONSTRUCTION MANAGER
 Construction Management Services, LLC
 7 Jackson Walkway
 Providence, Rhode Island 02903
 Phone: (401) 458-5516
 Fax: (401) 458-5516

Consultant
 FLOOR FINISHES
 FLOOR FINISHES, LLC
 1808 West End Ave, Suite 1400
 Philadelphia, PA 19103
 Phone: (610) 321-5591
 Fax: (610) 321-5689

Consultant
 MAF/JLV/CLB/CLU/LMS
 10.02.06 FOR CONSTRUCTION
 CORE & SHELL ISSUED
 AS NOTED

Francis

Caulfman

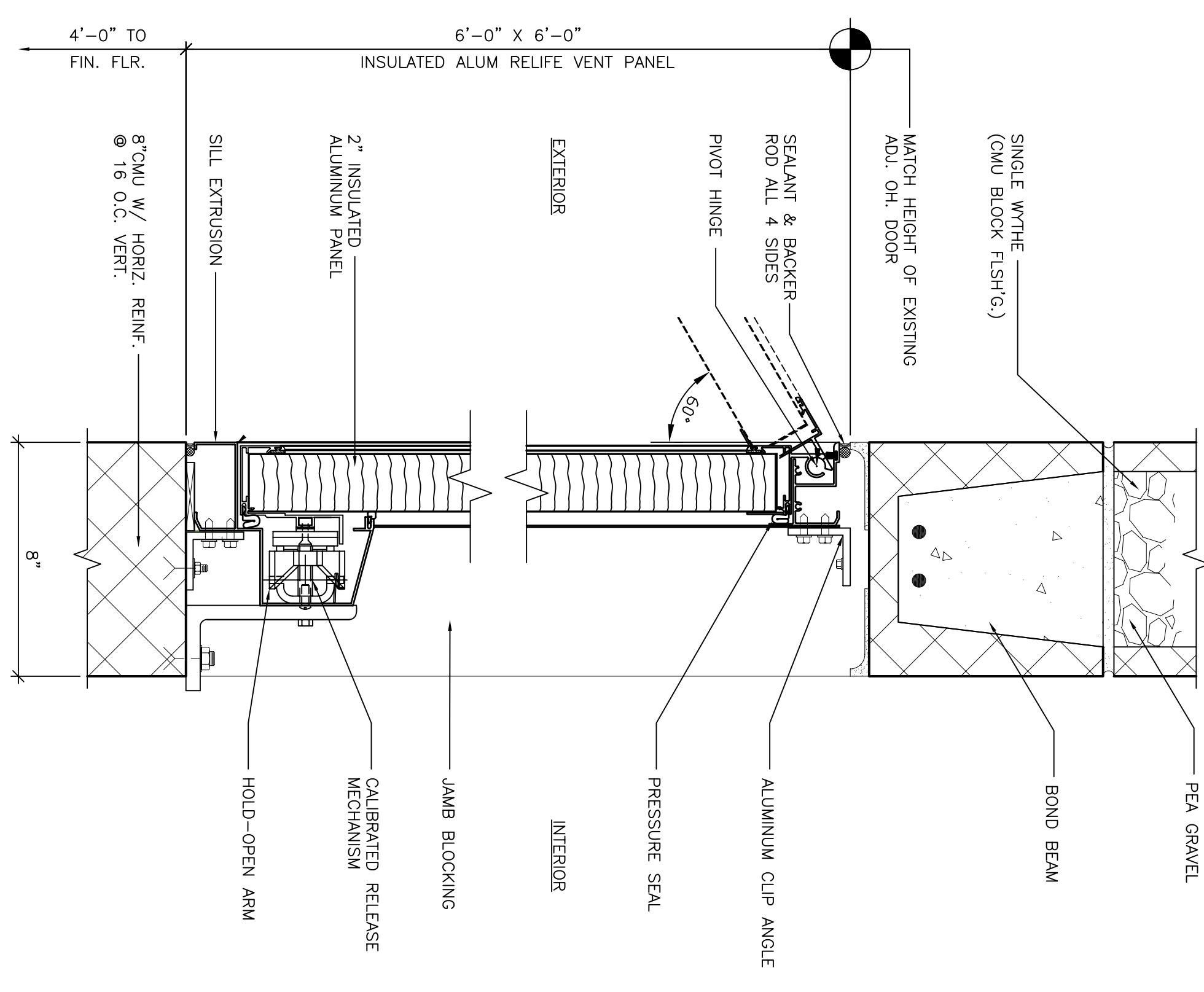
Roley

Hoffmann

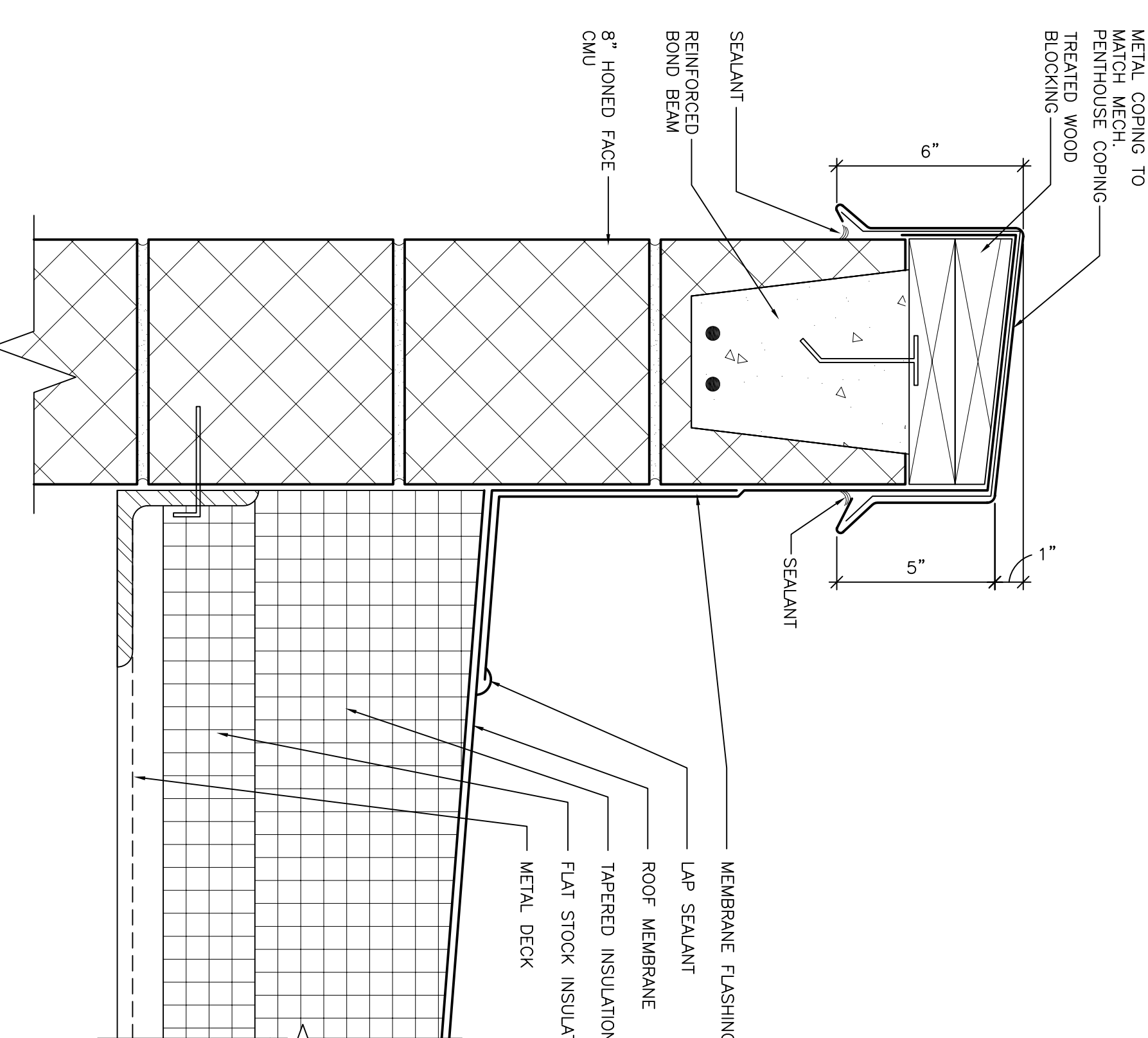
Francis Caulfman
 2120 Arch Street
 Philadelphia, PA 19103
 Phone: (215) 268-8250

MERCY
 Mercy Health
 System of Maine
 FORE RIVER SHORT
 STAY HOSPITAL

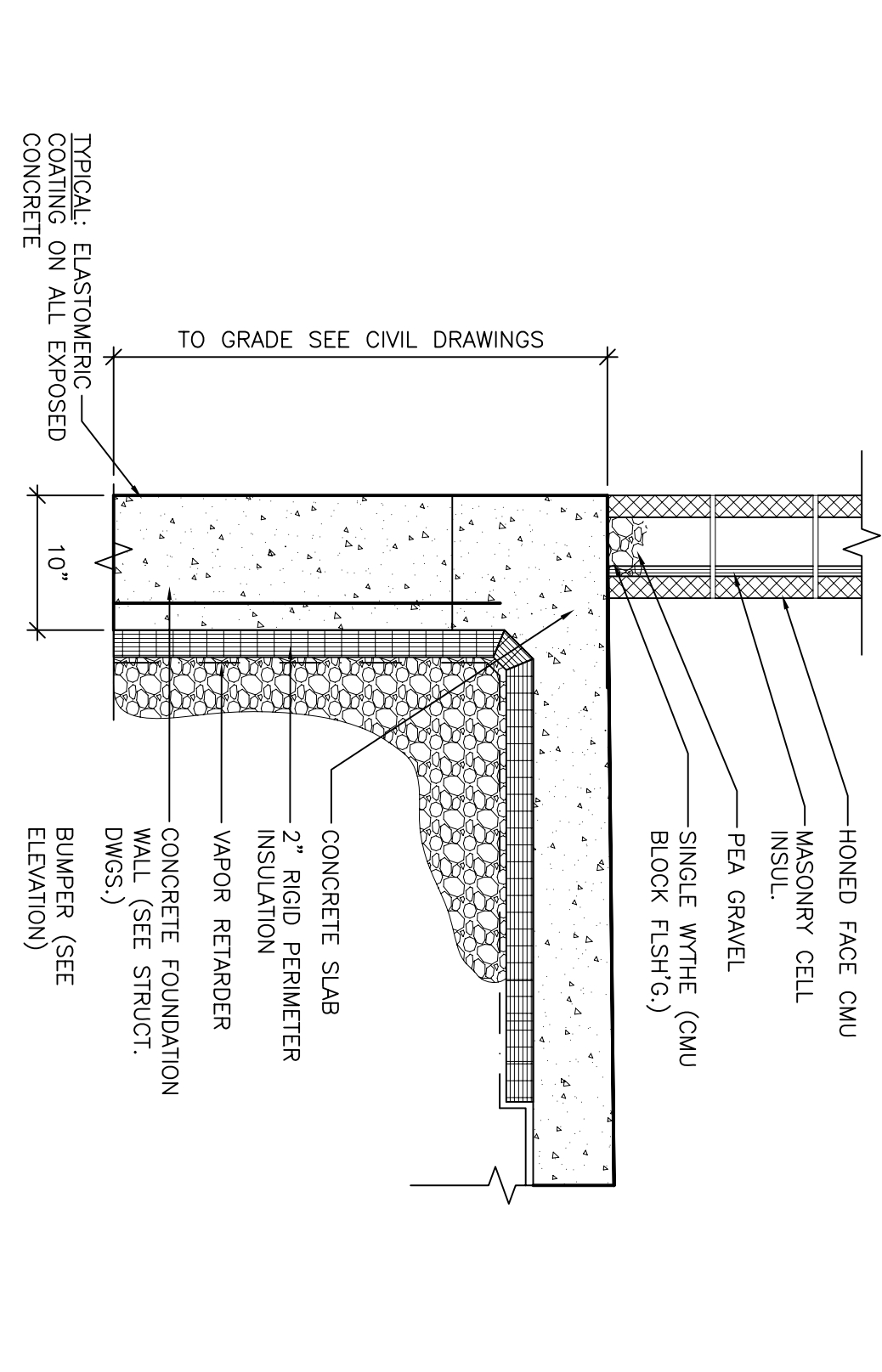
Project Number
 F05-4898
 Drawing Title and Number
 Loading Dock Details



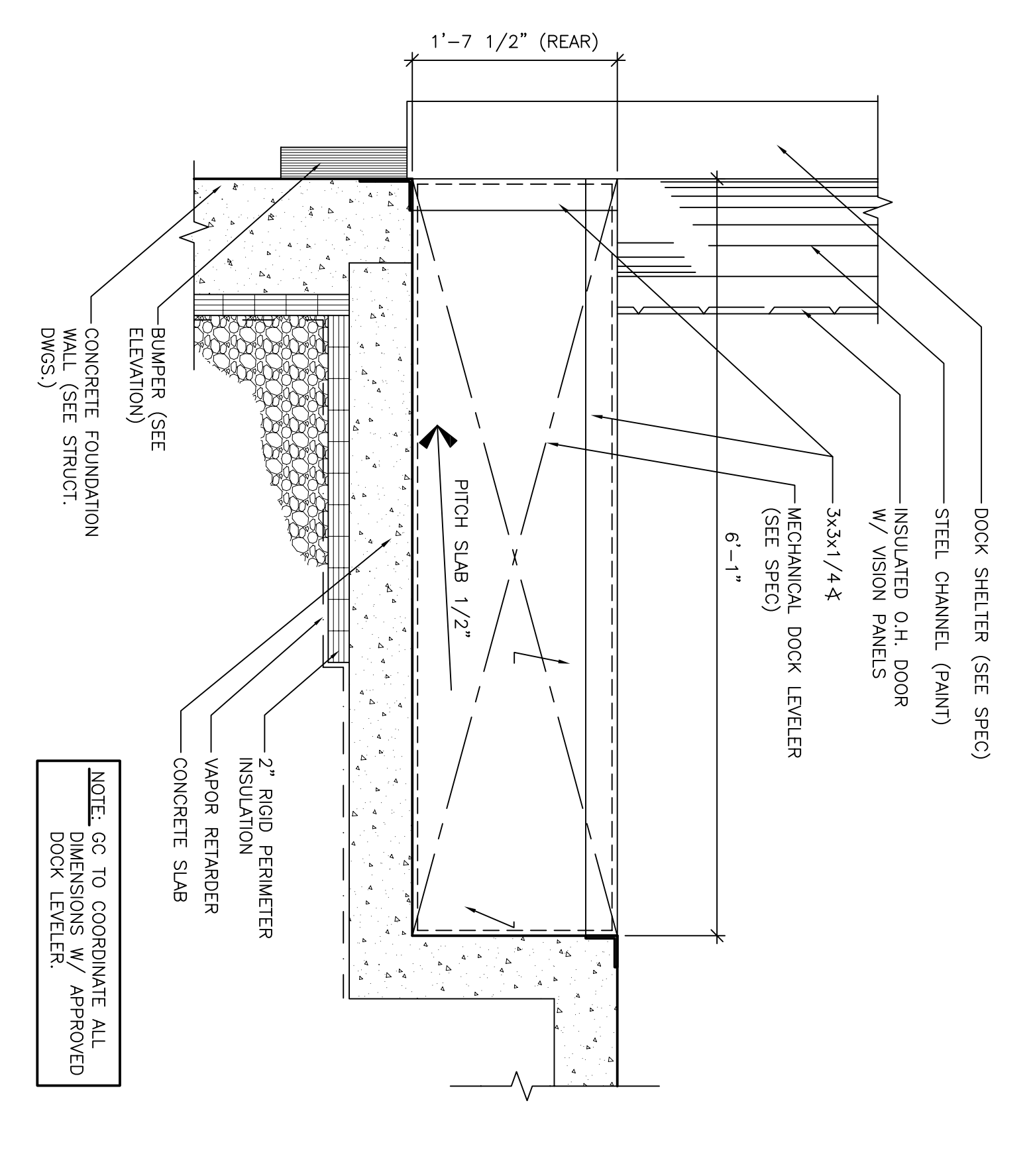
10 EXPLOSION VENT DETAIL
 SCALE: 3/4"=1'-0"



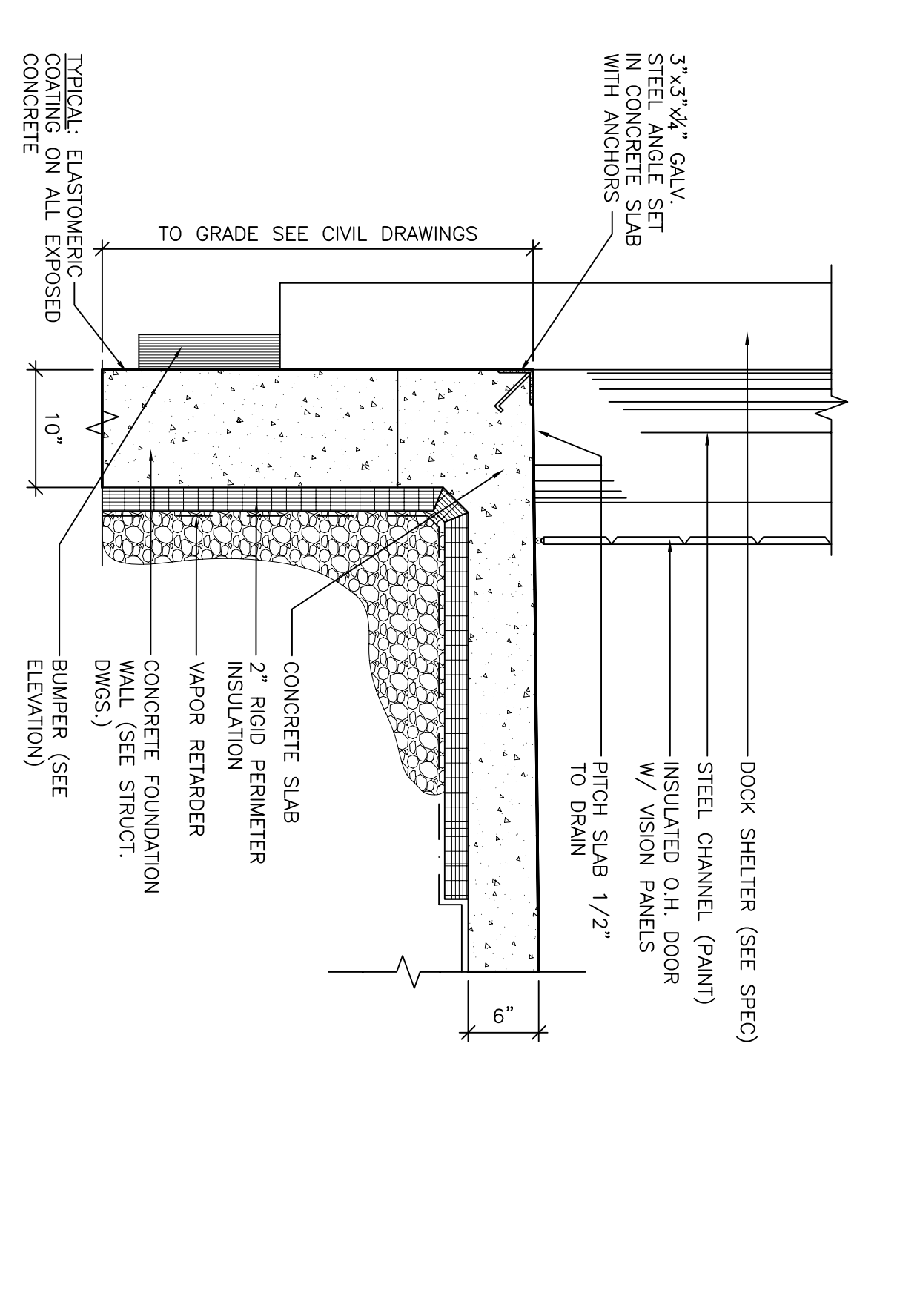
11 PARAPET DETAIL
 SCALE: 3/4"=1'-0"



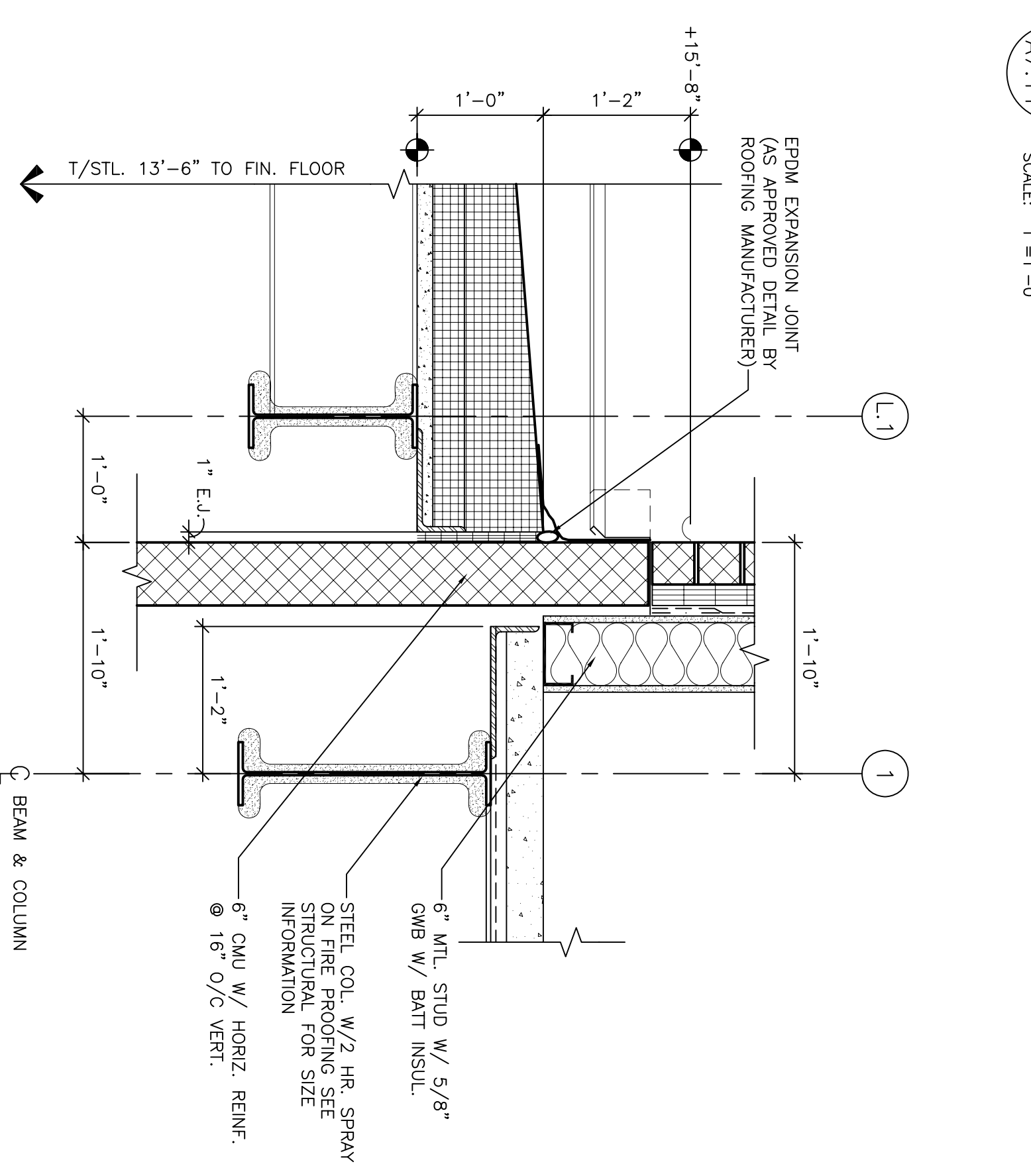
12 DETAIL
 SCALE: 1"=1'-0"



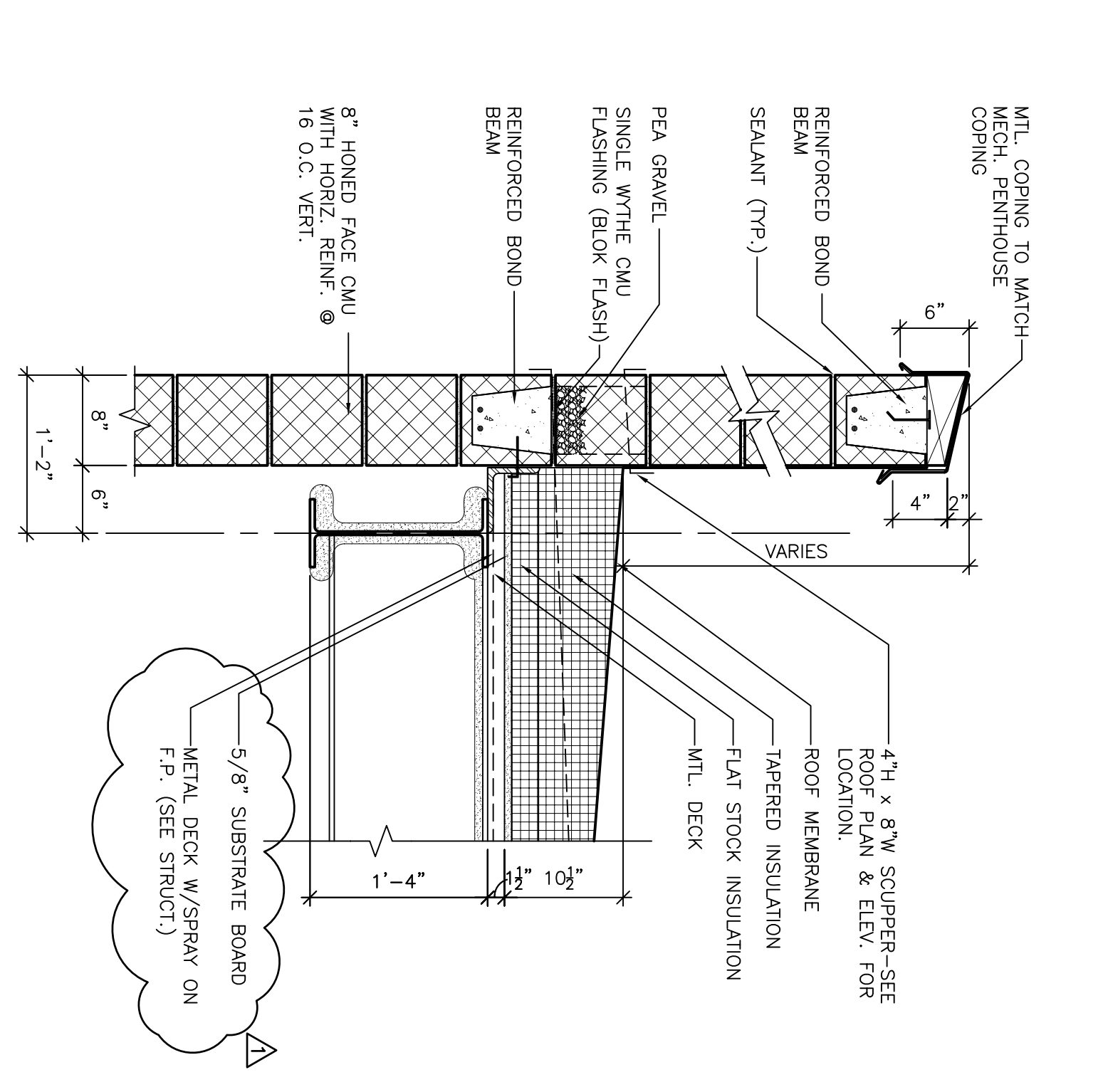
7 MECHANICAL DOCK LEVELER
 SCALE: 1"=1'-0"



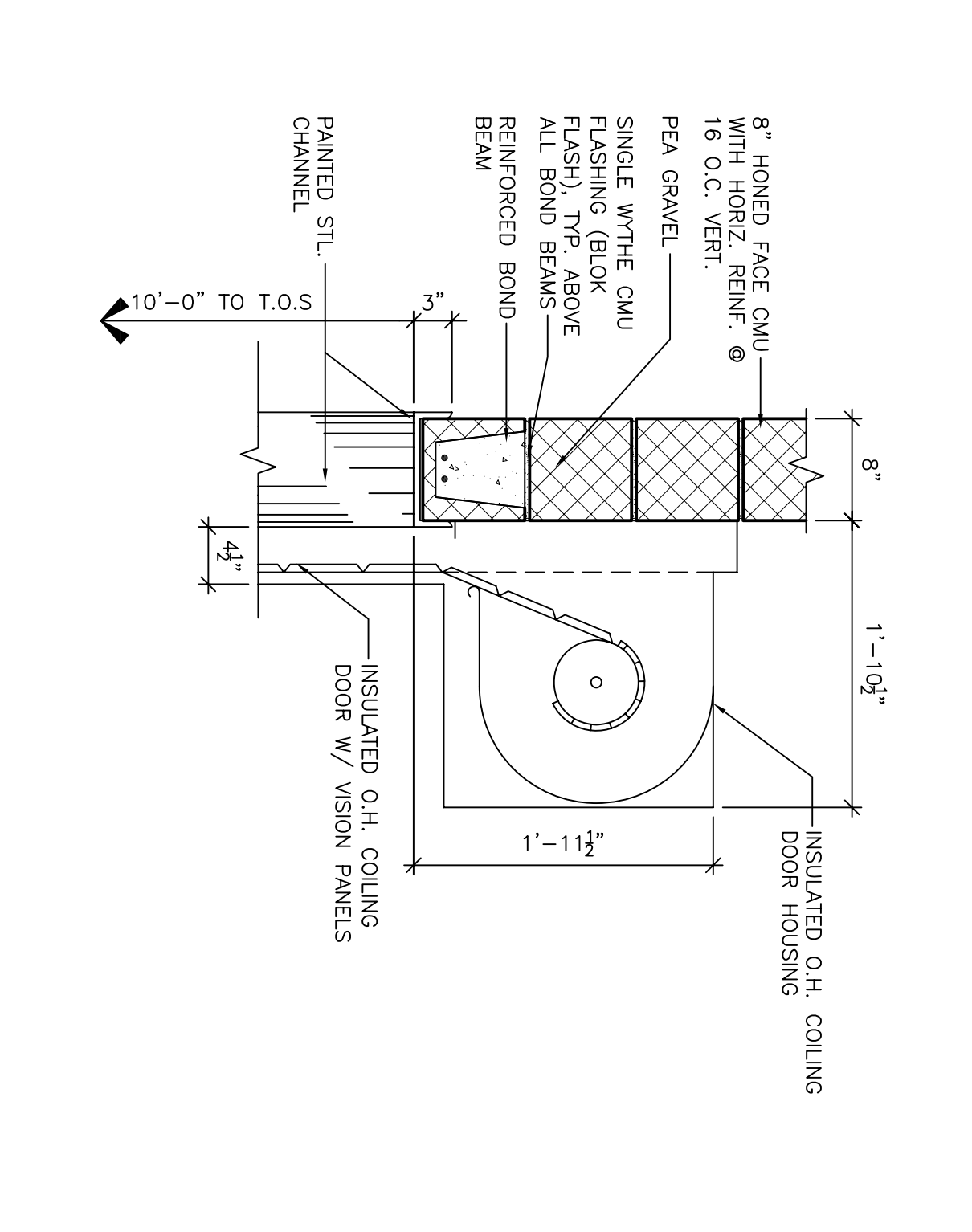
8 REAR DOCK
 SCALE: 1"=1'-0"



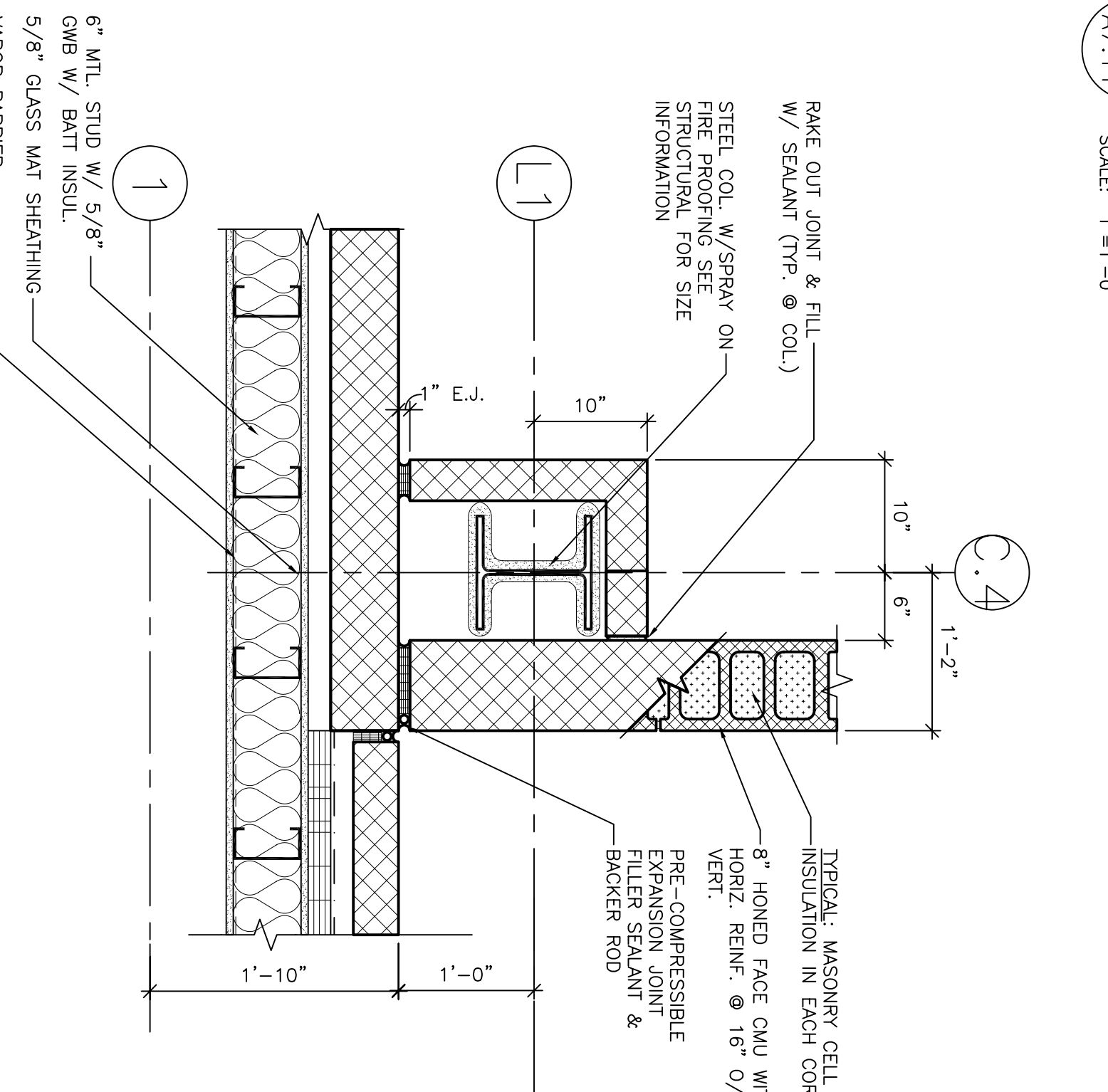
9 DETAIL - BASE FLASHING
 SCALE: 1"=1'-0"



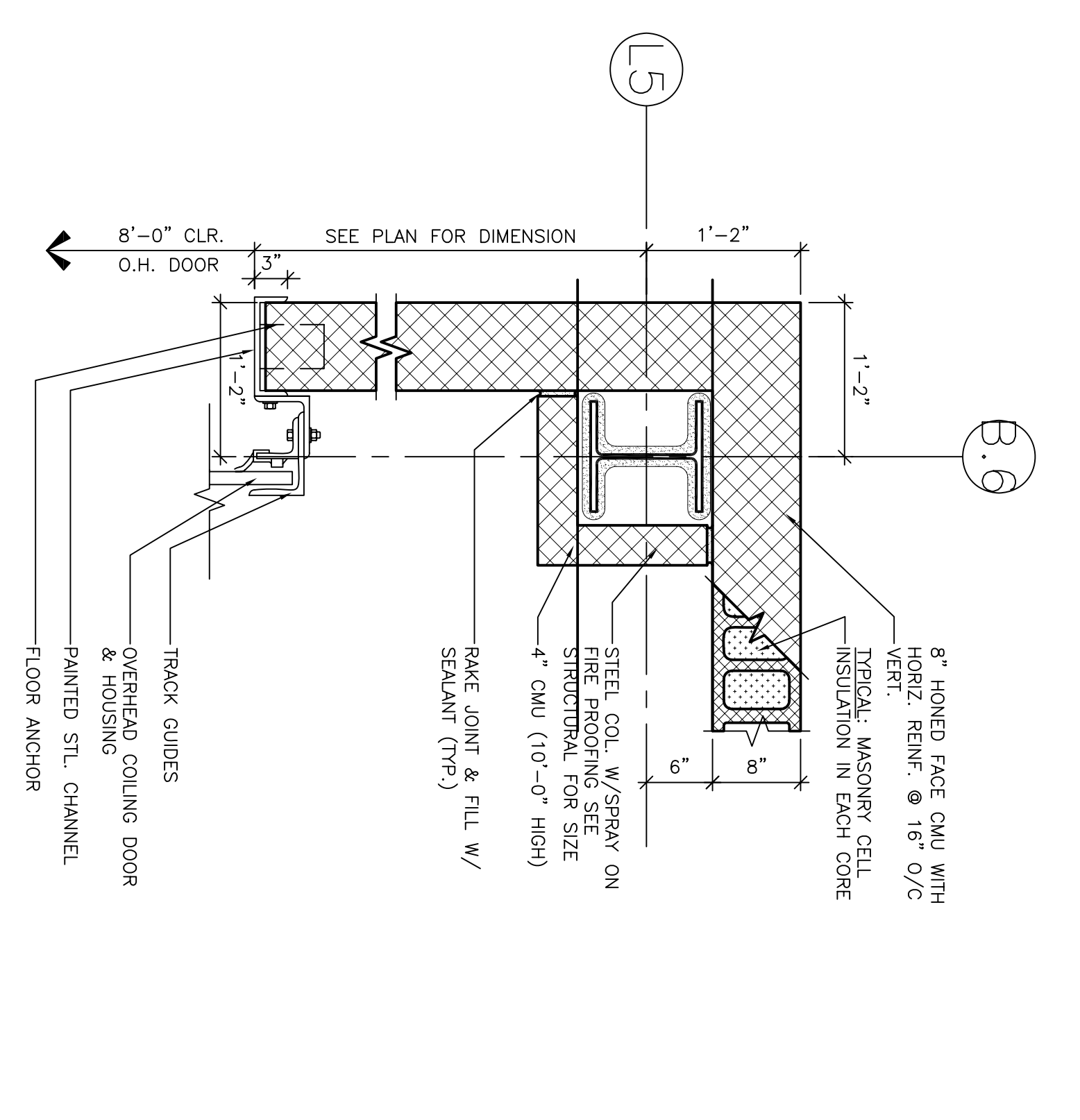
4 PARAPET DETAIL
 SCALE: 1"=1'-0"



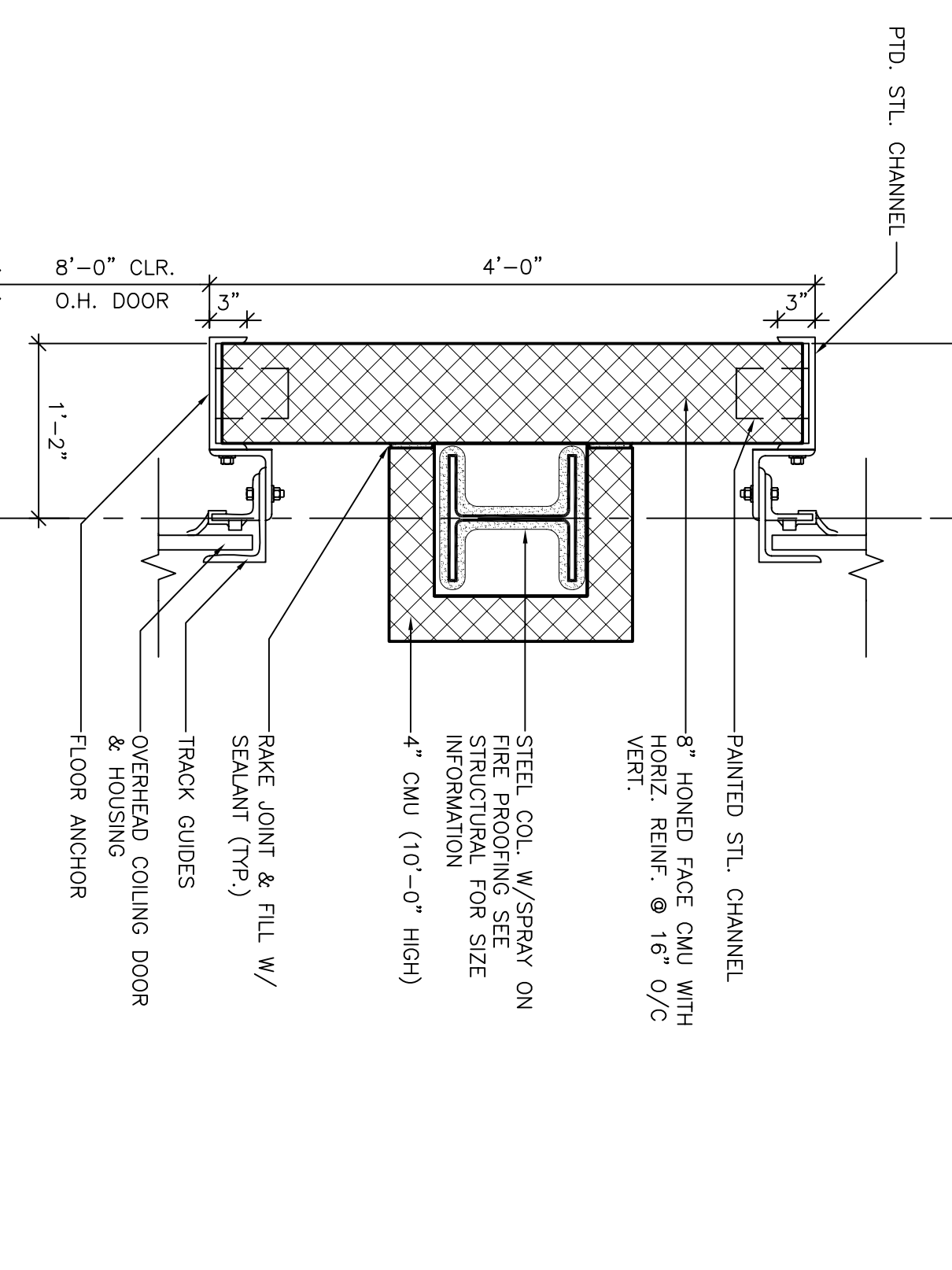
5 DETAIL - OVERHEAD DOOR
 SCALE: 1"=1'-0"



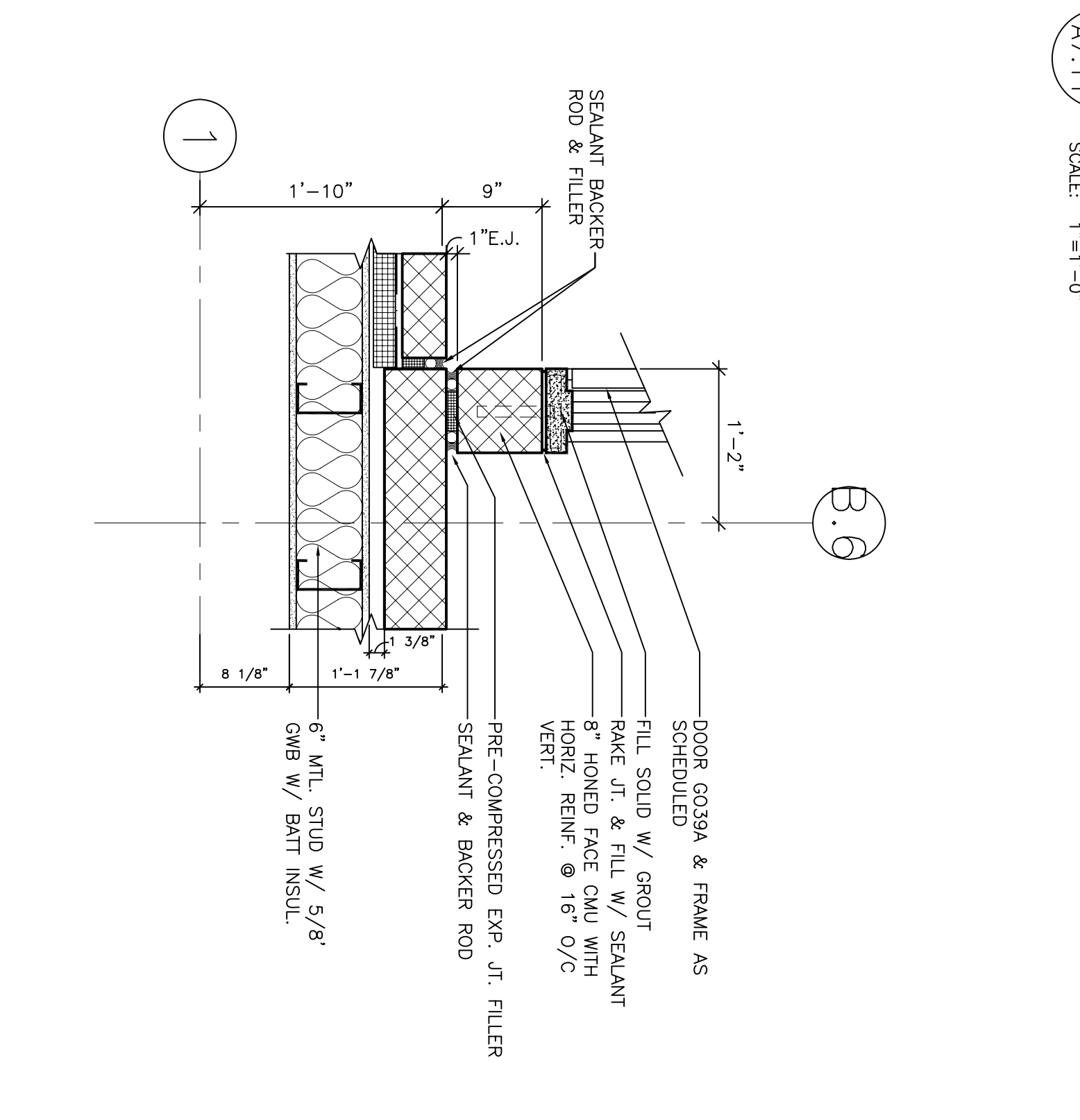
6 PLAN DETAIL
 SCALE: 1"=1'-0"



1 PLAN DETAIL
 SCALE: 1"=1'-0"



2 PLAN DETAIL
 SCALE: 1"=1'-0"



3 PLAN DETAIL
 SCALE: 1"=1'-0"