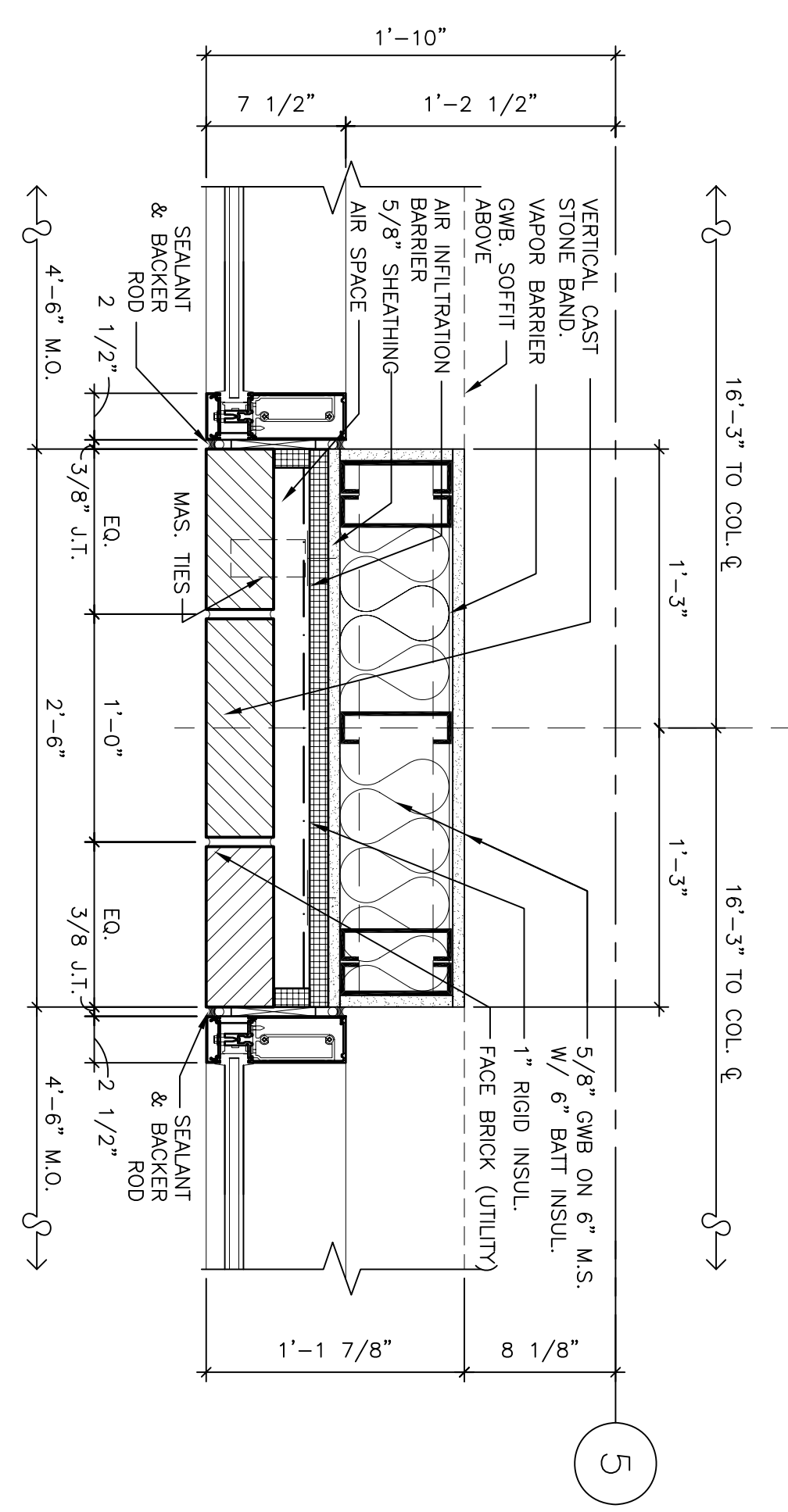
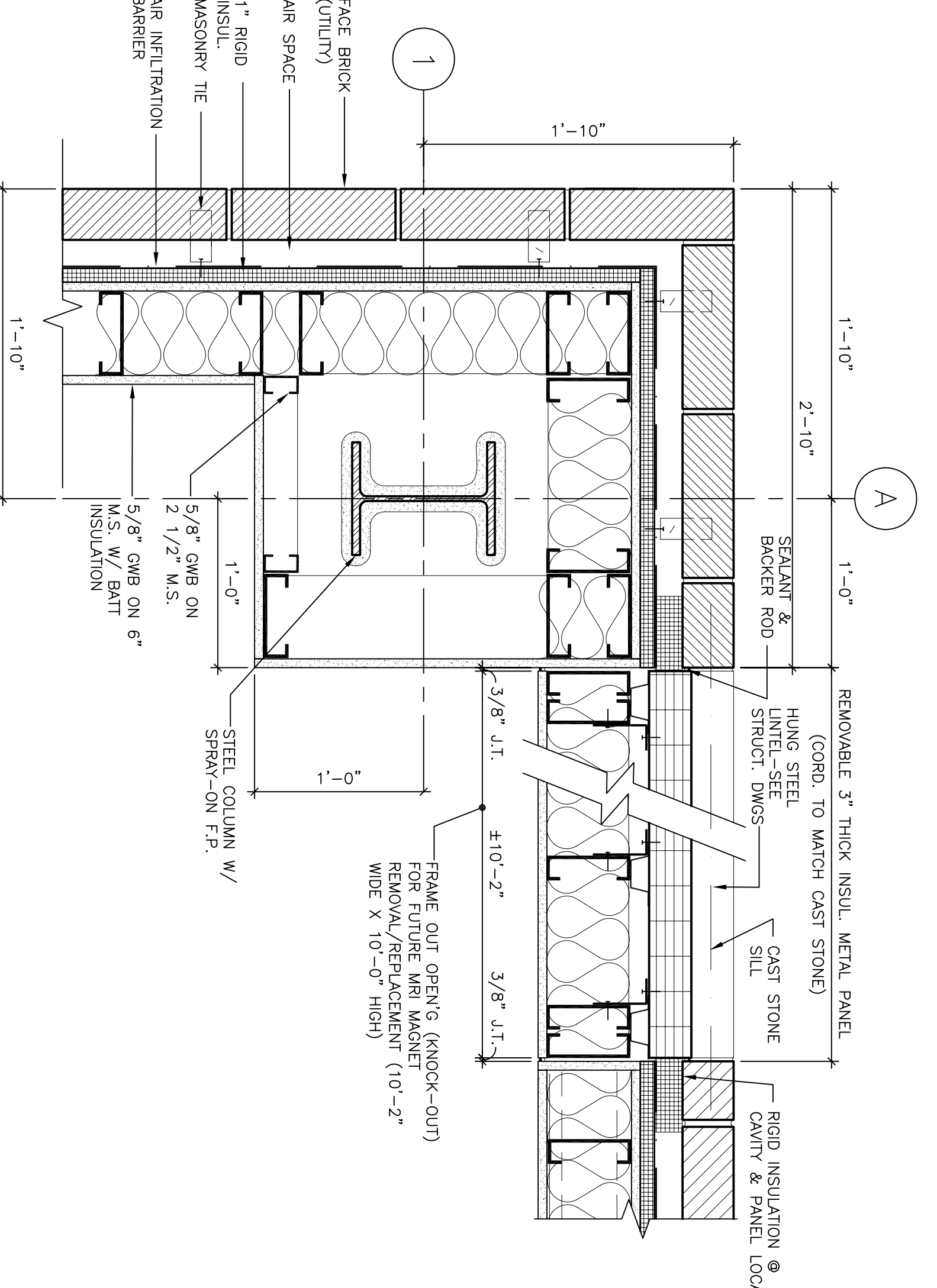


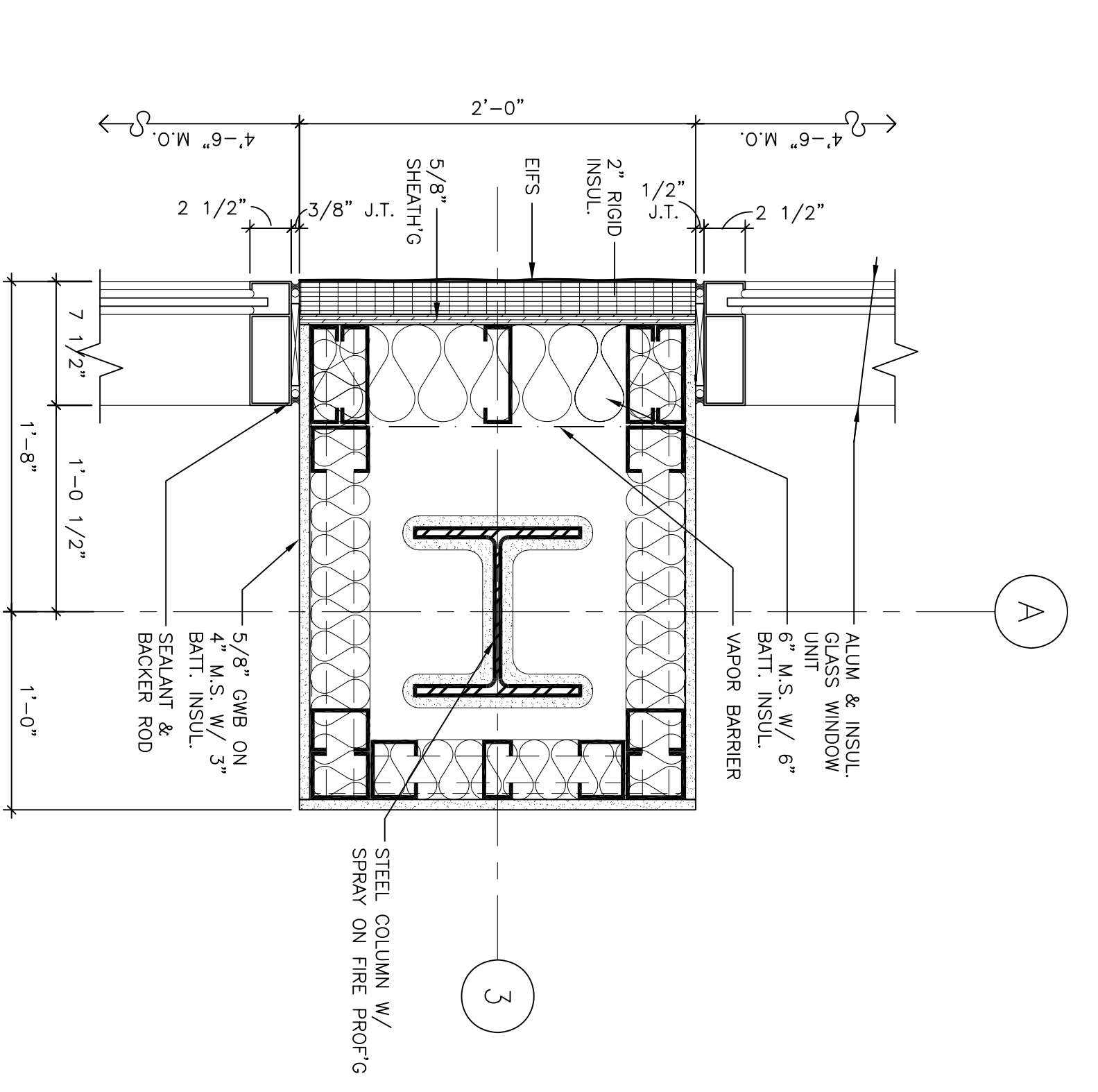
1 PLAN DETAIL @ COL. & WINDOW
SCALE: 1/2"=1'-0"



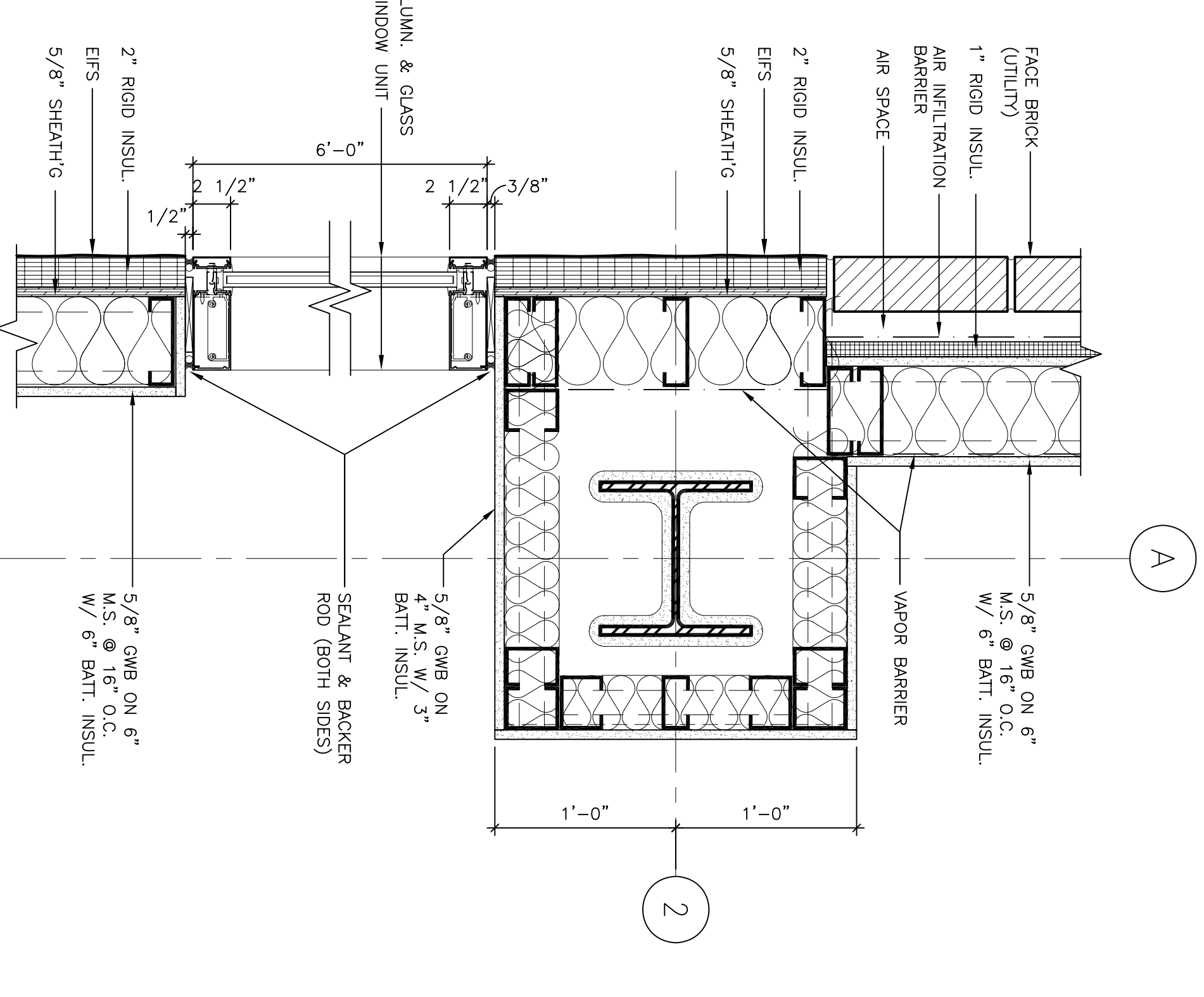
2 PLAN DETAIL @ WINDOW
SCALE: 1/2"=1'-0"



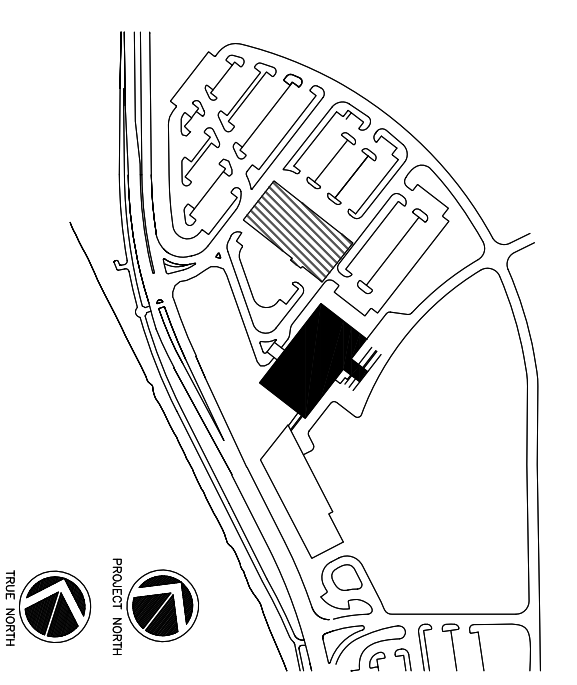
3 PLAN DETAIL @ REMOVABLE PANEL @ MRI ROOM
SCALE: 1/2"=1'-0"



4 PLAN DETAIL @ COL. & WINDOW
SCALE: 1/2"=1'-0"



5 PLAN DETAIL @ COL. A/2
SCALE: 1/2"=1'-0"



Consultant:
CIVIL ENGINEER
SMART ENGINEERING Associates, Inc.
278 Main Street, Suite 806
Portland, Tennessee 37057
Phone: (207) 772-1121
Fax: (207) 879-0896

Consultant:
MECHANICAL/ELECTRICAL ENGINEER
Burd, Roe & Athanas Consulting Engineers, LLC
144 Fore Street P.O. Box 618
Portland, Tennessee 37057
Phone: (207) 772-3846
Fax: (207) 772-1070

Consultant:
EQUIPMENT PLANNING
Dana Burton & Associates
1000 Southpark Drive
Franklin, Tennessee 37067
Phone: (615) 321-1100
Fax: (615) 378-3114

Consultant:
CONSTRUCTION MANAGER
7 Jackson Walkway
Providence, Rhode Island 02903
Phone: (401) 458-5516
Fax: (401) 458-5516

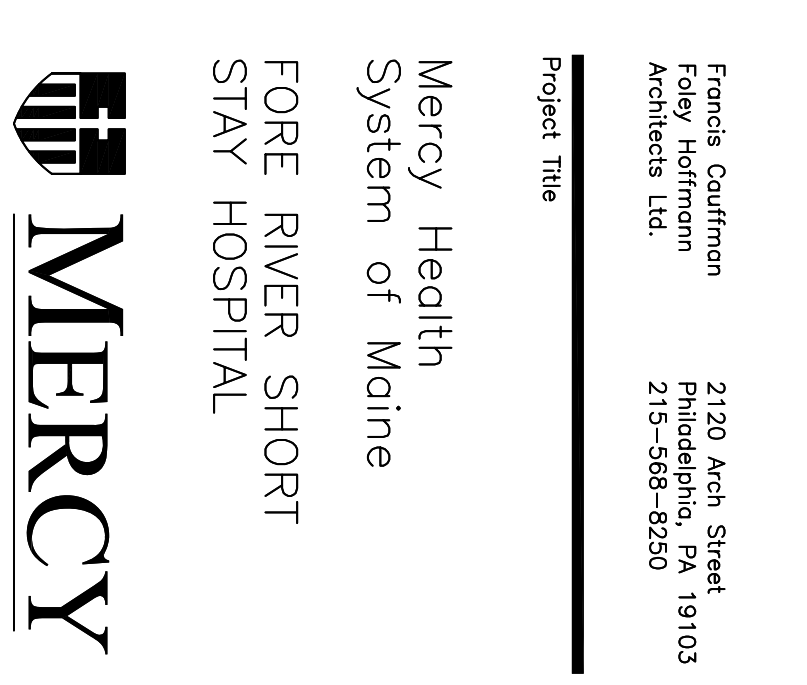
Consultant:
FOOD SERVICE
1808 West End Ave Suite 1400
Nashville, Tennessee 37203
Phone: (615) 321-5591
Fax: (615) 321-5689

It is the responsibility of the Construction Manager/General Contractor and all other subcontractors to verify all dimensions and conditions of prior work by field notes before proceeding with any work.

Date: 10.02.06
CORE & SHELL ISSUED FOR CONSTRUCTION
Drawn By: MAF/JUL/CLB/CU/LMS
Scale: AS NOTED

Francis
Cauffman
Foley
Hoffmann

Project Title:
Mercy Health
System of Maine
FORE RIVER SHORT
STAY HOSPITAL



Project Number:
F05-4898
Drawing Title and Number:
Plan Details

A7.04