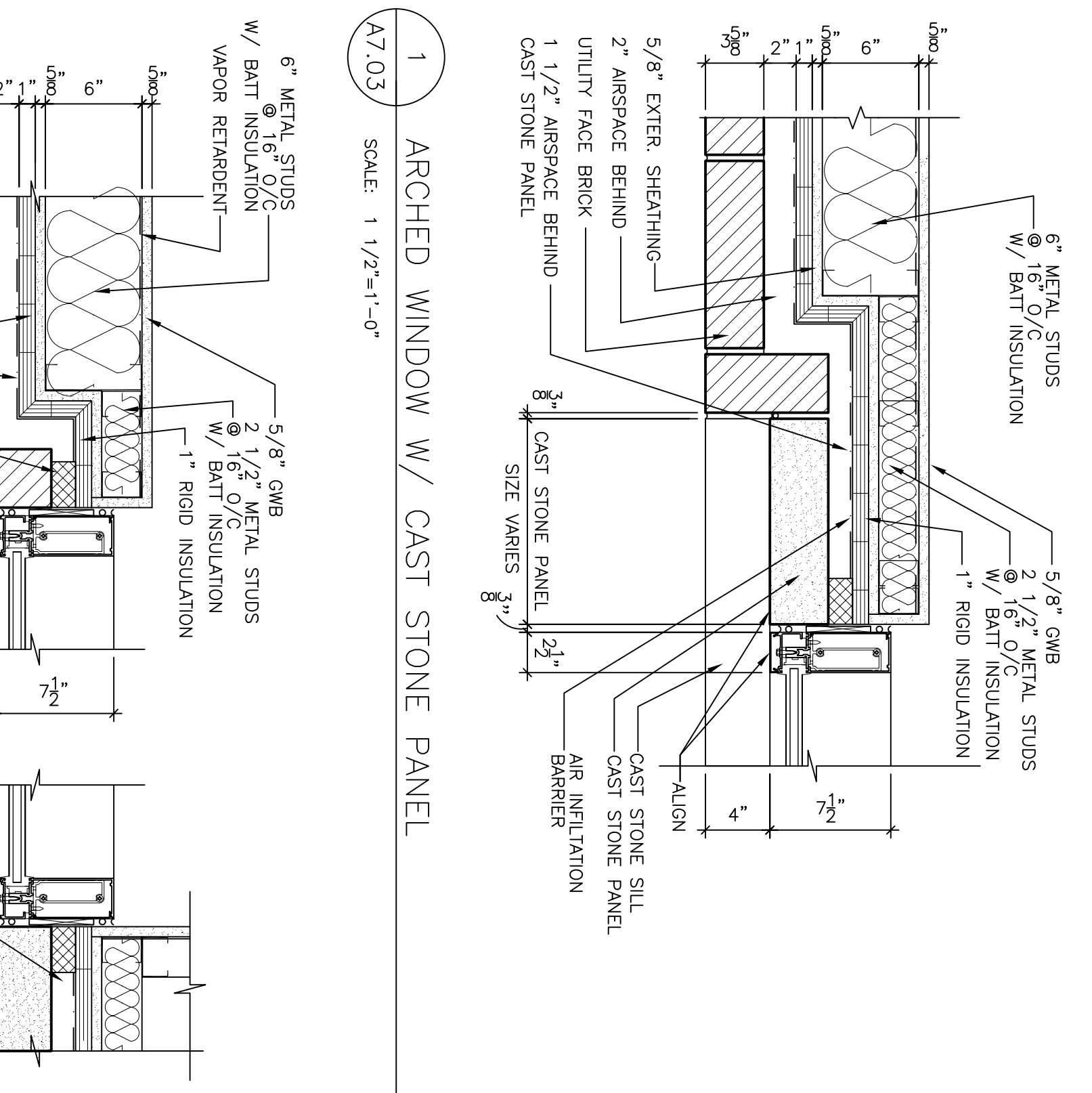


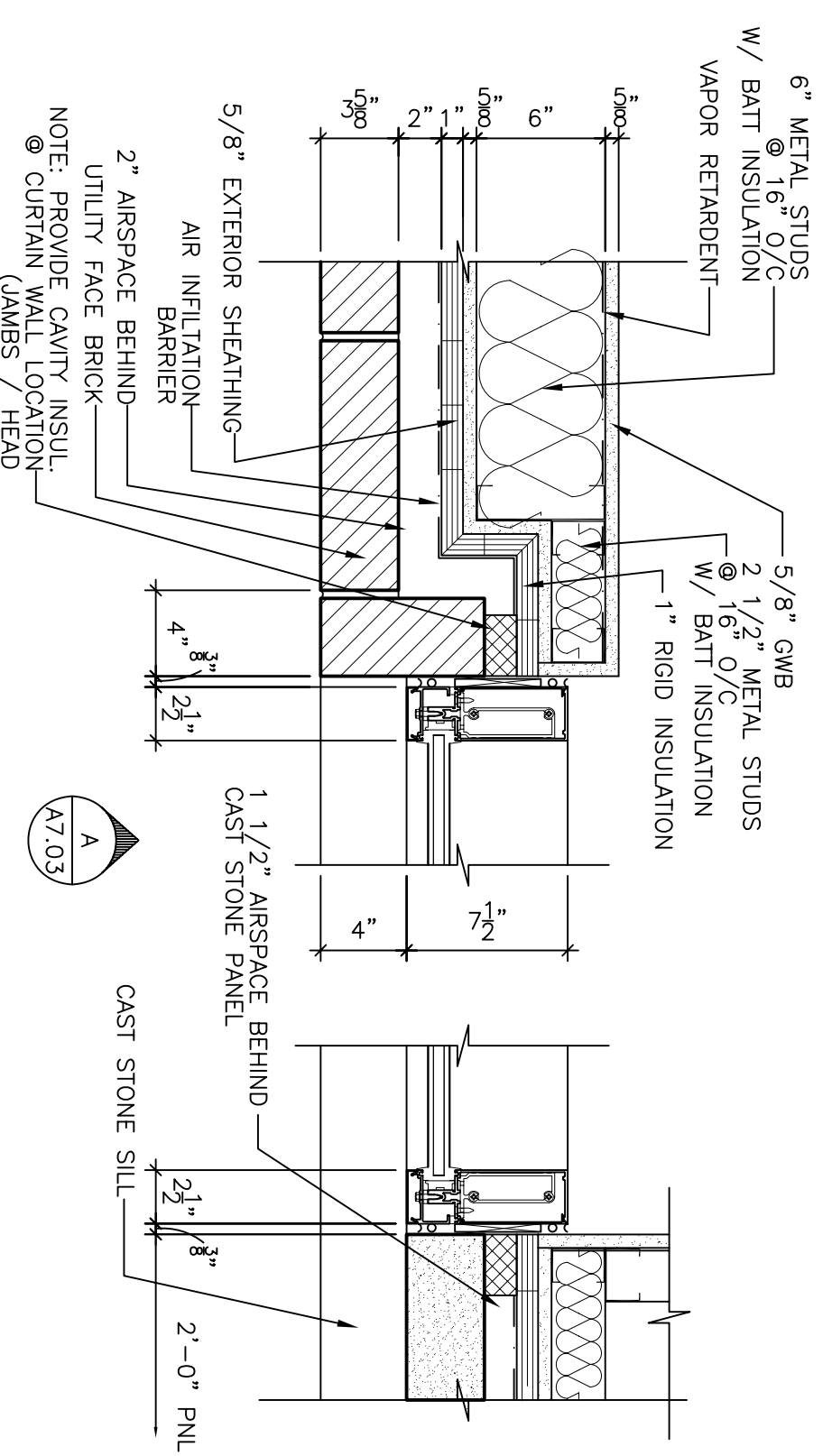
A7.03 ARCHED WINDOW W/
CAST STONE PANEL DETAIL (WEST ELEVATION)

A7.03 SCALE: 1/4"=1'-0"



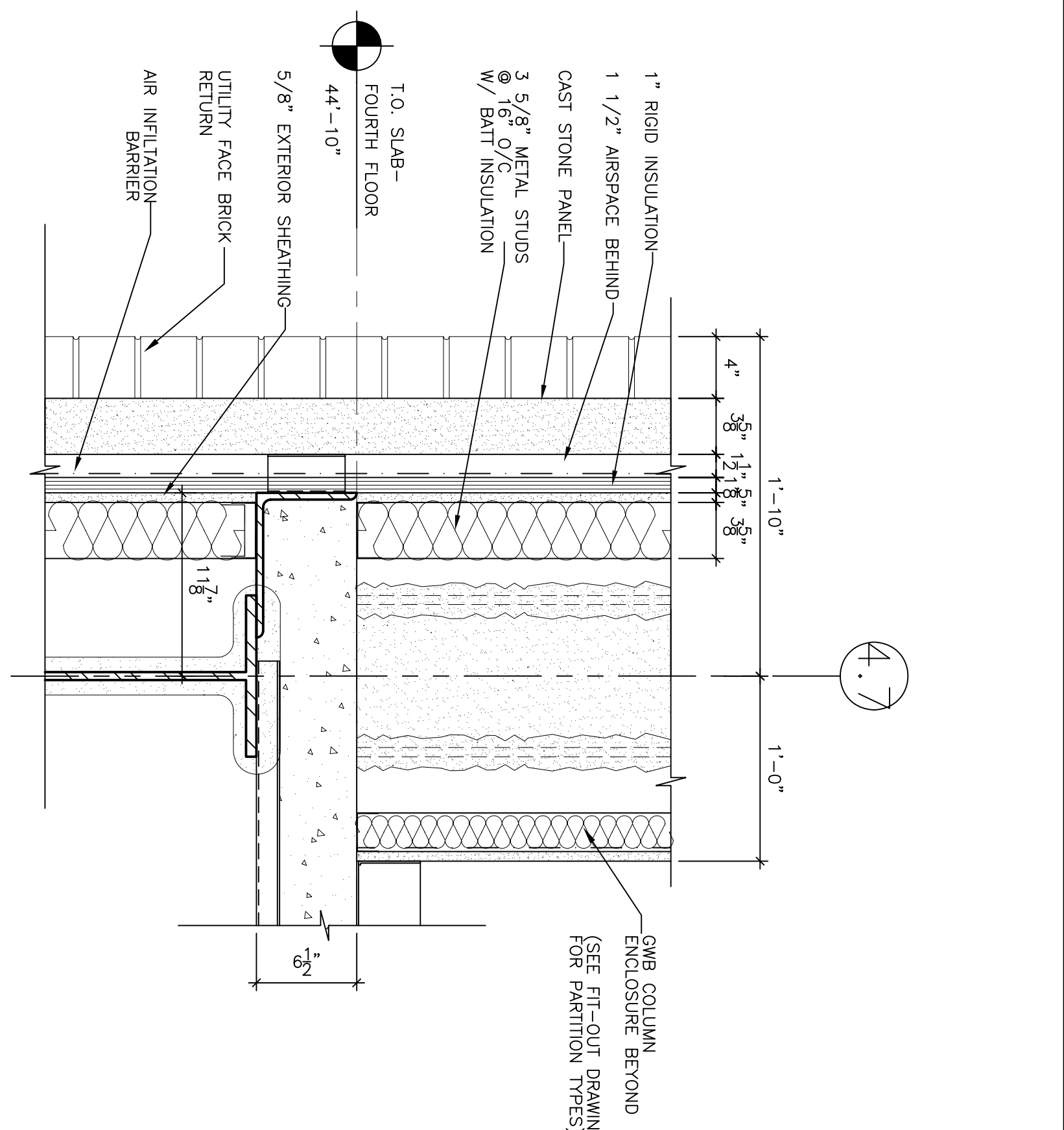
A7.03 ARCHED WINDOW W/ CAST STONE PANEL

A7.03 SCALE: 1/2"=1'-0"



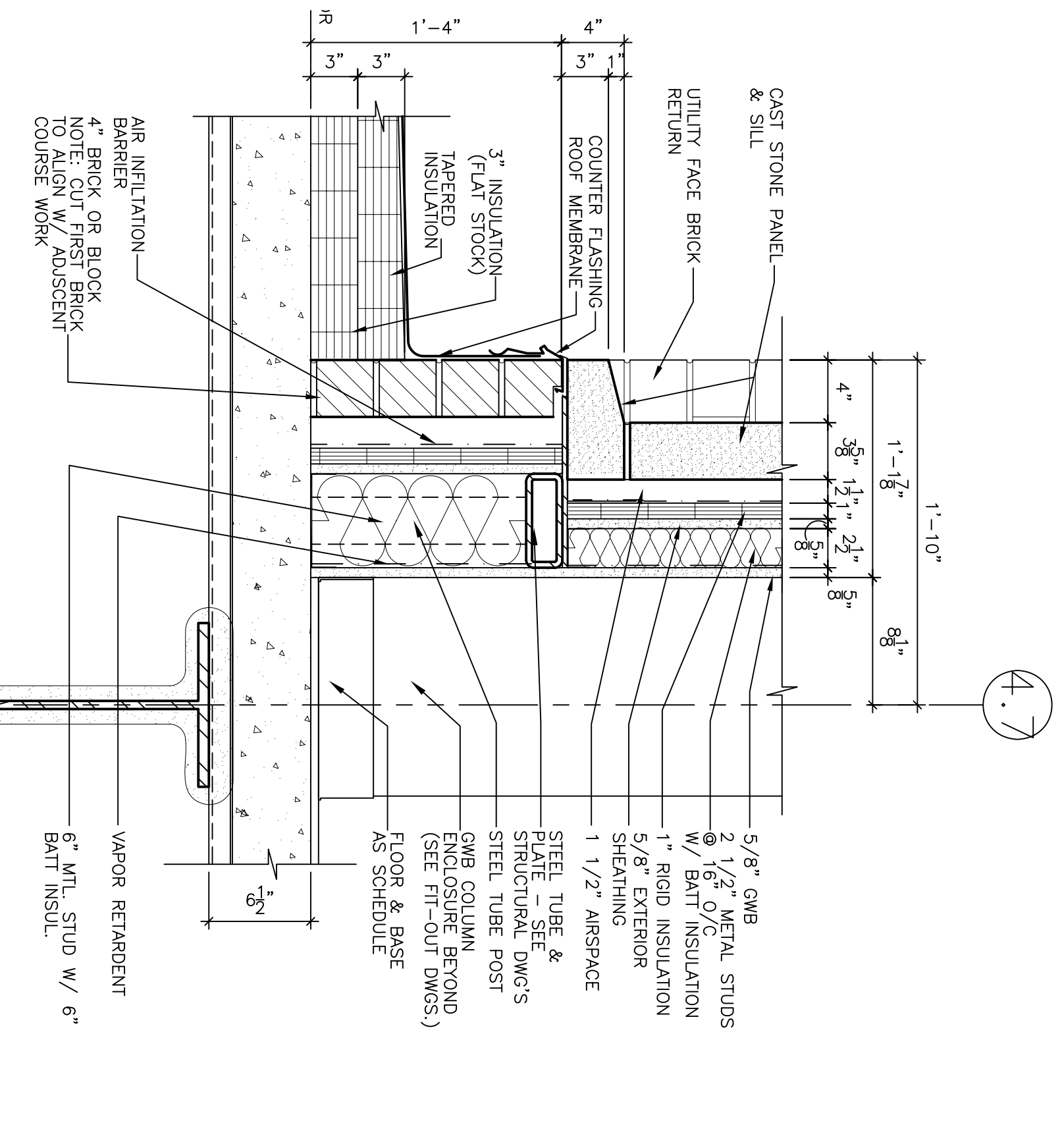
A7.03 ARCHED WINDOW W/
CAST STONE PANEL - SILL DETAIL

A7.03 SCALE: 1/2"=1'-0"



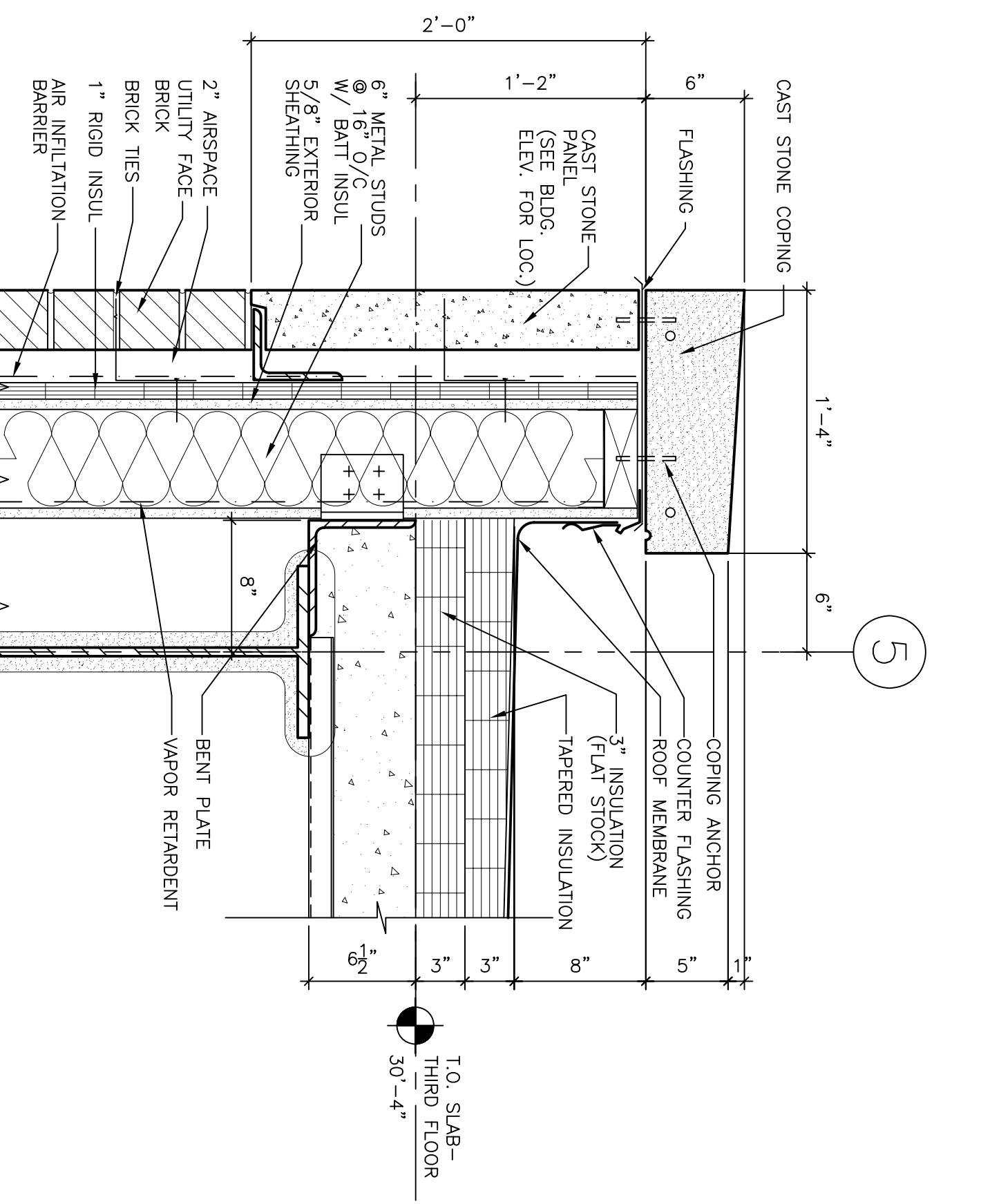
A7.03 CAST STONE PANEL BETWEEN ARCHED WINDOW

A7.03 SCALE: 1/2"=1'-0"



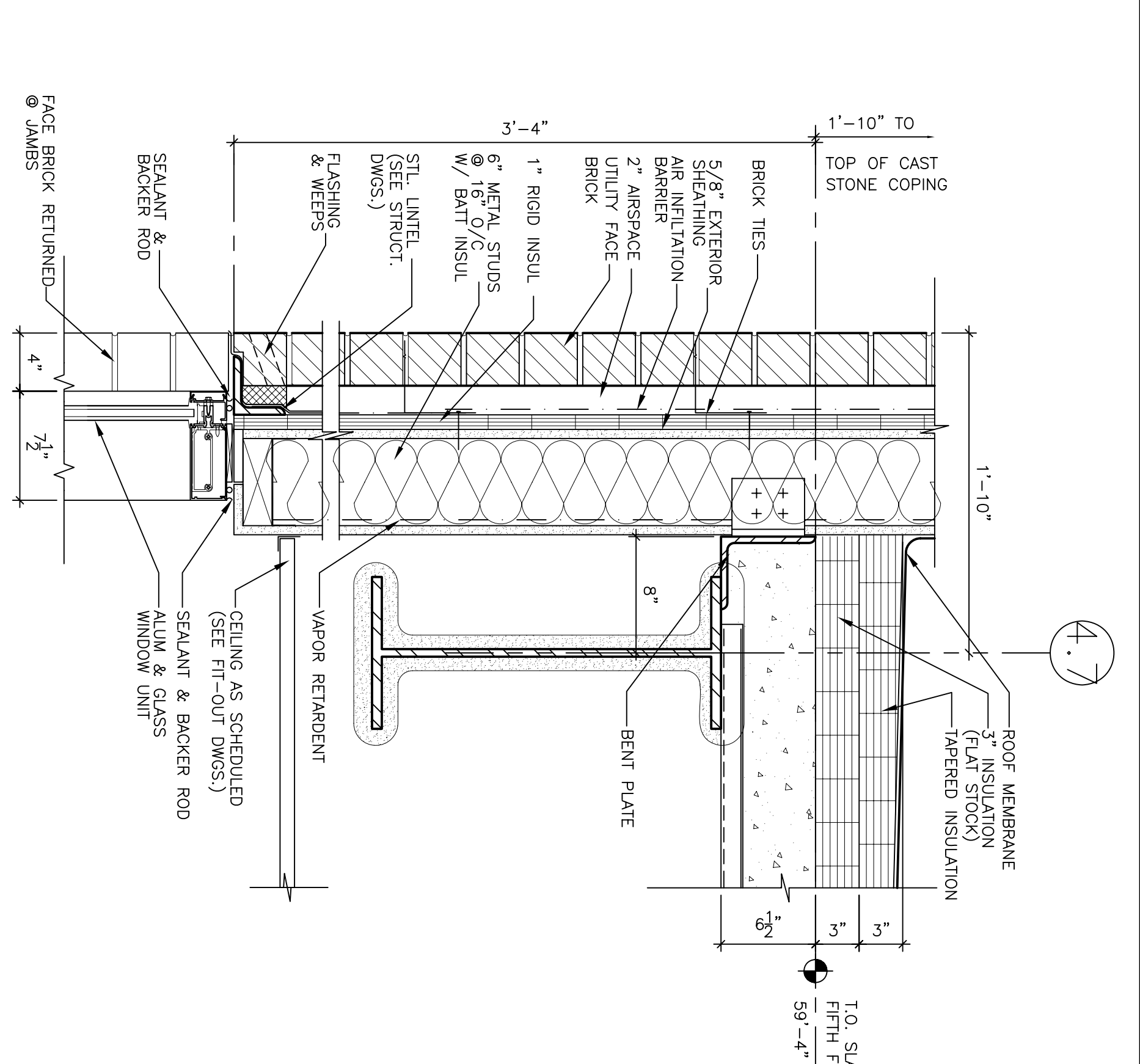
A7.03 SILL DETAIL @ ARCHED WINDOW (CAST STONE)

A7.03 SCALE: 1/2"=1'-0"



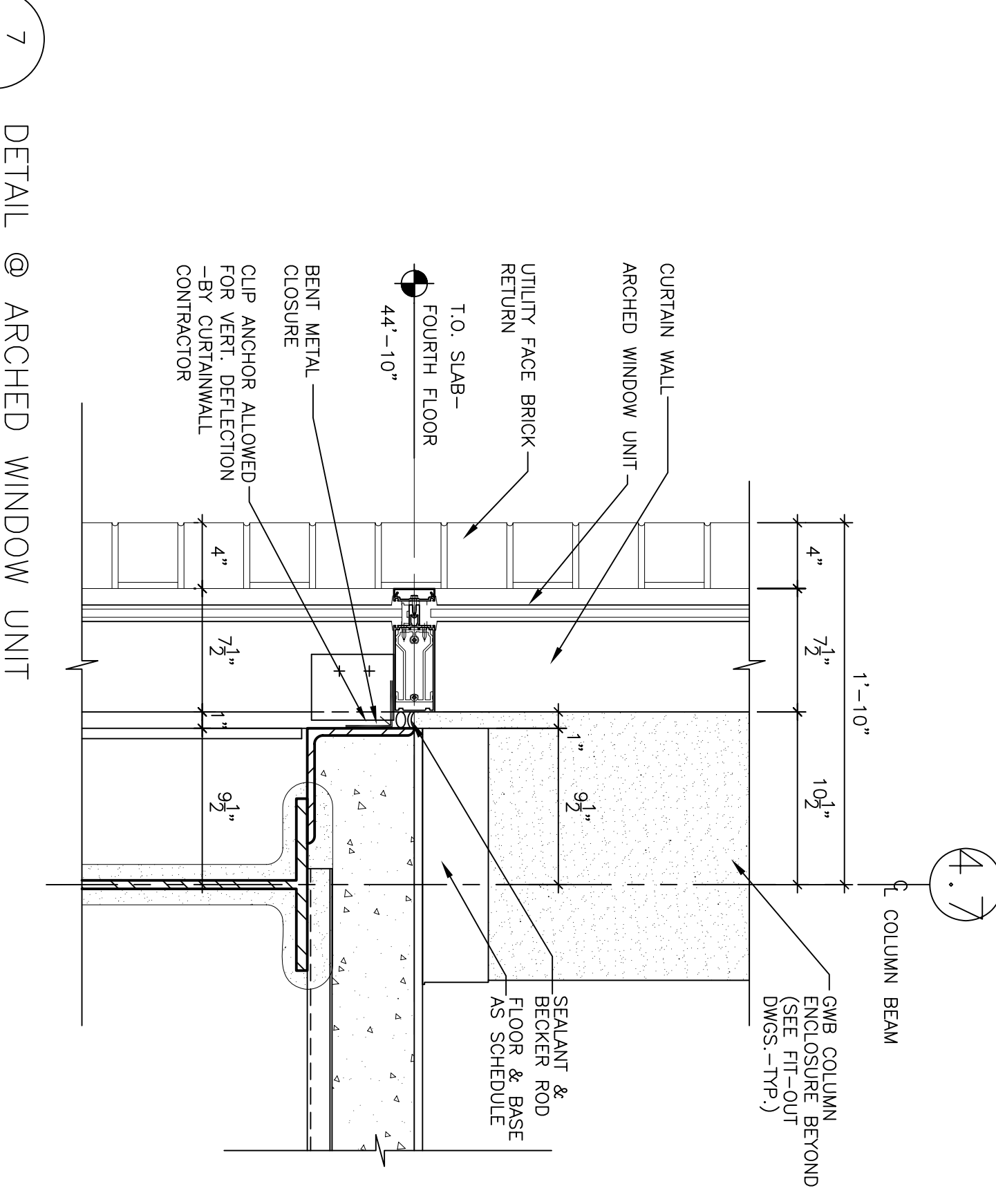
A7.03 PARAPET DETAIL

A7.03 SCALE: 1/2"=1'-0"



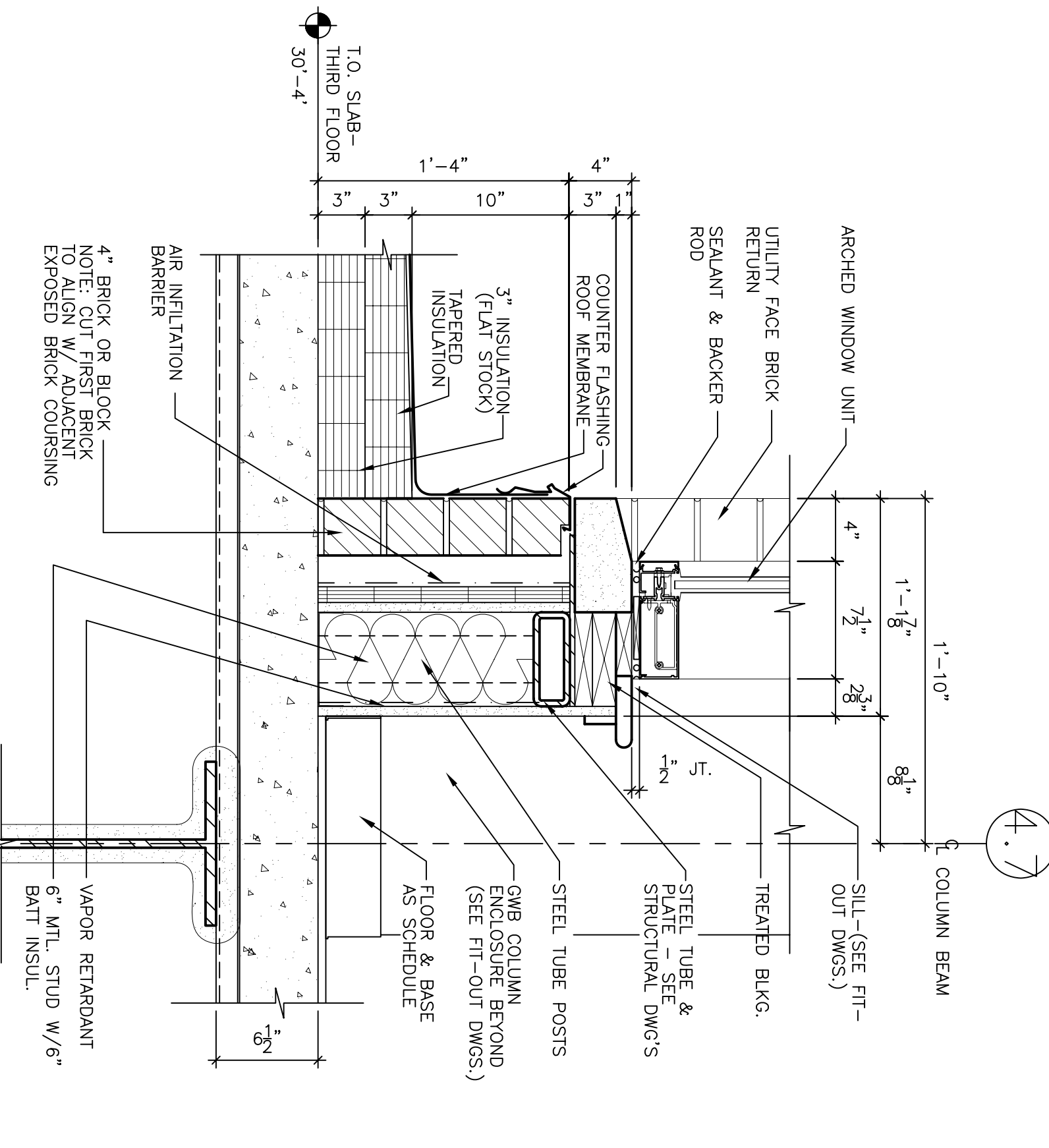
A7.03 HEAD DETAIL @ ARCHED WINDOW

A7.03 SCALE: 1/2"=1'-0"



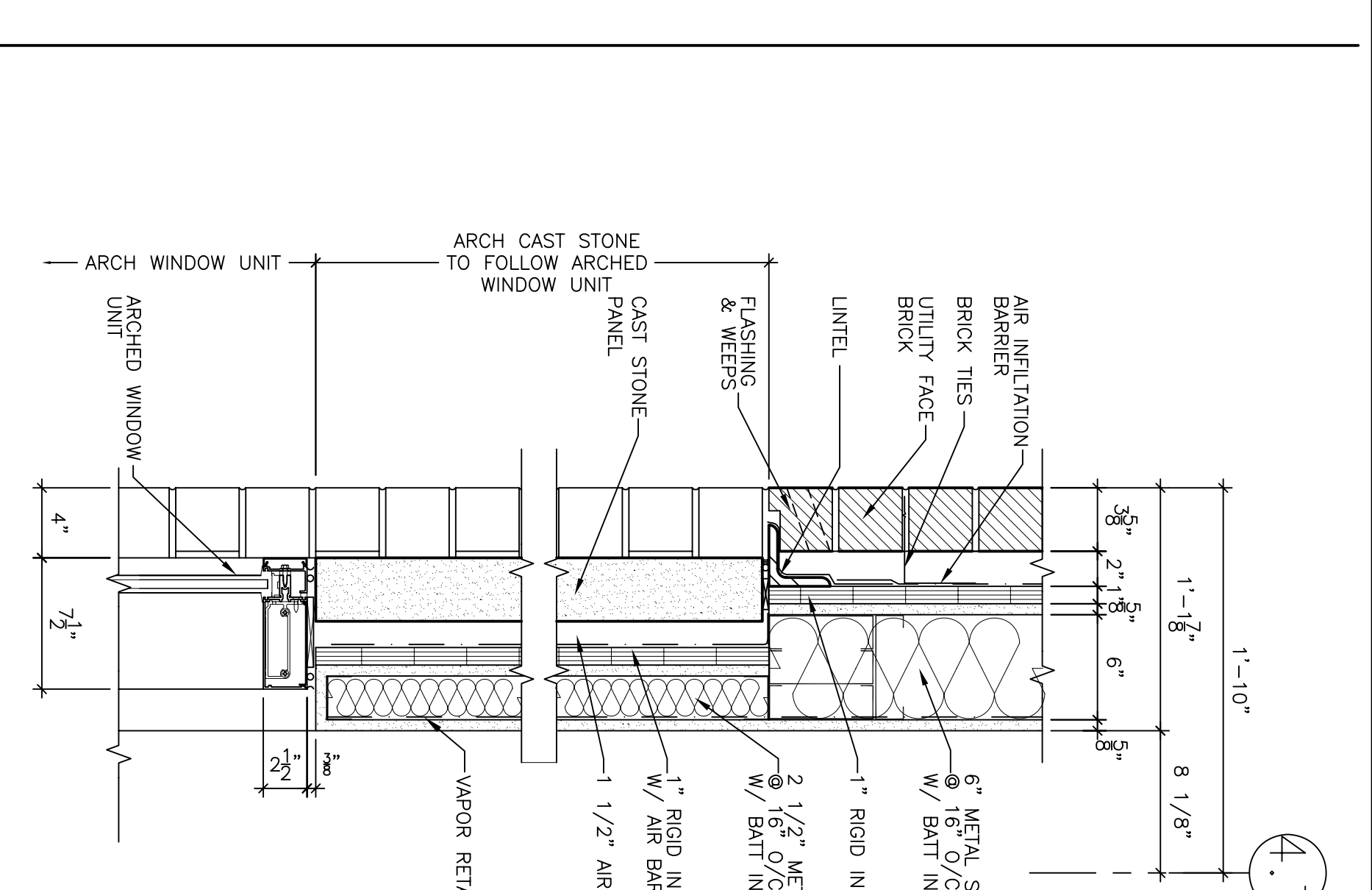
A7.03 DETAIL @ ARCHED WINDOW UNIT

A7.03 SCALE: 1/2"=1'-0"



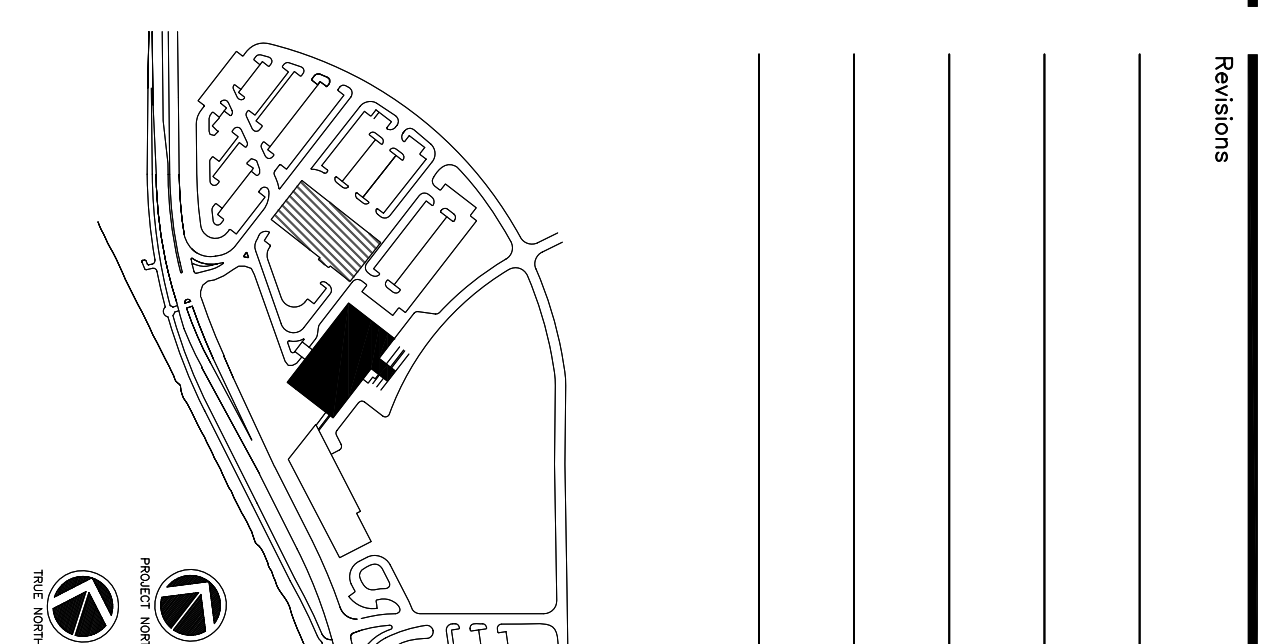
A7.03 SILL DETAIL @ ARCHED WINDOW

A7.03 SCALE: 1/2"=1'-0"



A7.03 HEAD DETAIL @ ARCHED WINDOW

A7.03 SCALE: 1/2"=1'-0"



Consultant
Civil Engineer
Associates, Inc.
278 Main Street, Suite 806
Philadelphia, PA 19106
Phone: (207) 772-1121
Fax: (207) 879-0886

Consultant
Mechanical/Electrical Engineer
Burd, Roe & Atkins Consulting Engineers, LLC
144 Fore Street P.O. Box 618
Philadelphia, PA 19106
Phone: (207) 772-2846
Fax: (207) 772-1070

Consultant
Equipment Planning
Gardner & Theobald
311 Kessell Street
Woburn, MA 02472-5789
Phone: (617) 221-1111
Fax: (617) 221-9339

Consultant
Construction Manager
Gardner & Theobald
7 Jackson Walkway
Providence, Rhode Island 02903
Phone: (401) 468-5816
Fax: (401) 468-5816

Consultant
MAF/ALB/CLB/CLV/LMS
10.02.06 FOR CONSTRUCTION

Date
10.02.06 CORE & SHELL ISSUED

Drawn By
MAF/ALB/CLB/CLV/LMS

Scale
AS NOTED

Notes
It is the responsibility of the Construction Manager/General Contractor and all subcontractors to verify all dimensions and conditions of prior work by reference to drawings and specifications and to report any discrepancies to the Architect before proceeding with any work.

Francis Cauffman
Foley Hoffmann Architects Ltd.
2130 Arch Street
Philadelphia, PA 19103
215-968-8250

Project Title
Mercy Health
System of Maine
FORE RIVER SHORT
STAY HOSPITAL

MERCY

Project Number
F05-4838

Drawing Title and Number
Partial Elevations & Details

A7.03