

Consultant  
 CIVIL ENGINEER  
 CONSTRUCTION ENGINEER  
 278 Main Street, Suite 806  
 Providence, RI 02903  
 Phone: (401) 725-1121  
 Fax: (401) 879-0886

Consultant  
 ARCHITECT/STRUCTURAL ENGINEER  
 114 East Street P.O. Box 618  
 Providence, RI 02903  
 Phone: (401) 772-2846  
 Fax: (401) 772-1070

Consultant  
 MECHANICAL/ELECTRICAL ENGINEER  
 Brent, Roy & Atkins Consulting Engineers, LLC  
 311 Keston Street  
 Woburn, MA 02472-5789  
 Phone: (617) 924-9318  
 Fax: (617) 924-9339

Consultant  
 EQUIPMENT PLANNING  
 1888 Barton & Associates  
 1888 Barton & Associates  
 Frontline, Tennessee 37087  
 Phone: (615) 321-5591  
 Fax: (615) 321-5889

Consultant  
 CONSTRUCTION MANAGER  
 7 Jackson Millway  
 Providence, Rhode Island 02903  
 Phone: (401) 458-5816  
 Fax: (401) 458-5816

Consultant  
 FOOD SERVICE  
 Rood Service, LLC  
 1808 West End Ave, Suite 1400  
 Providence, RI 02903  
 Phone: (615) 321-5591  
 Fax: (615) 321-5889

Consultant  
 AS NOTED

Date  
 10.02.06 FOR CONSTRUCTION

Drawn By  
 MAF/JLV/CLB/CLV/LMS

Scale  
 AS NOTED

Francis  
 Cauffman  
 Foley

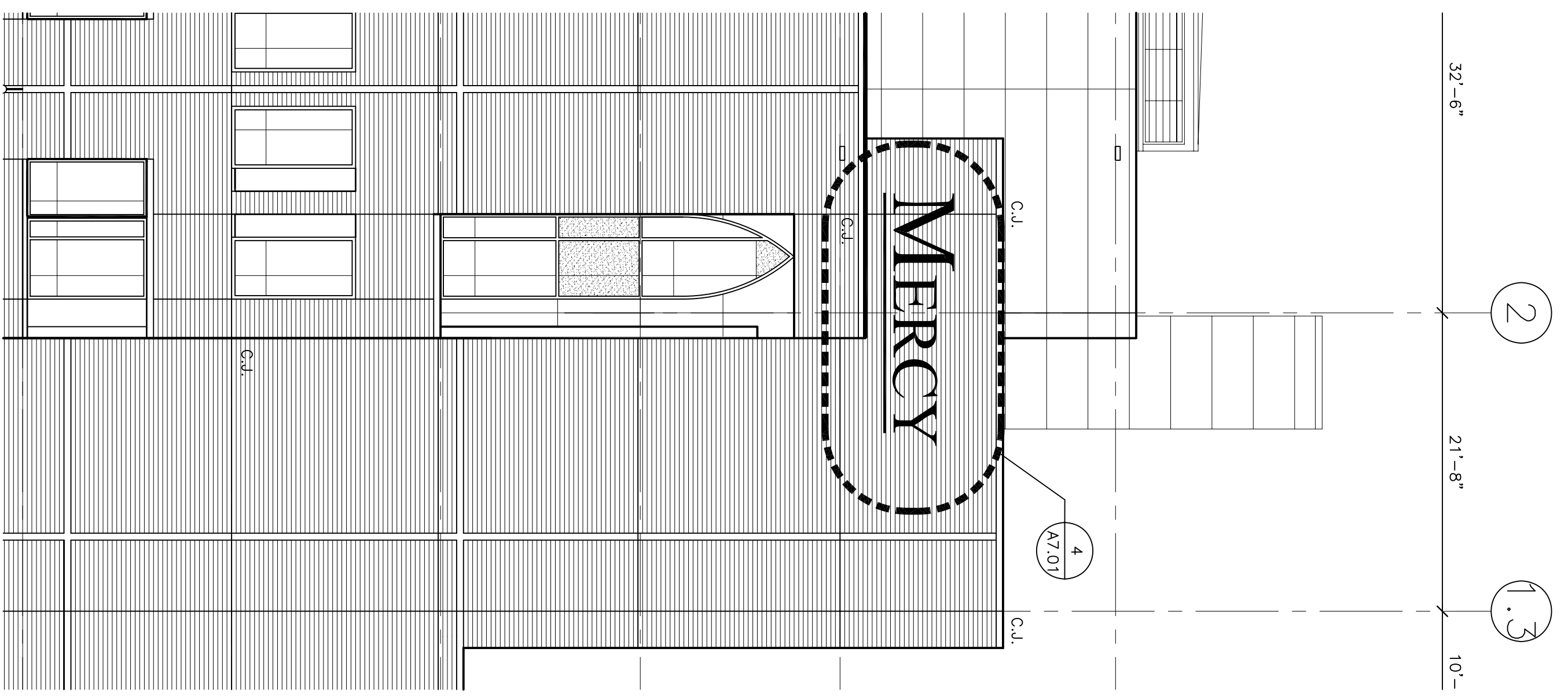
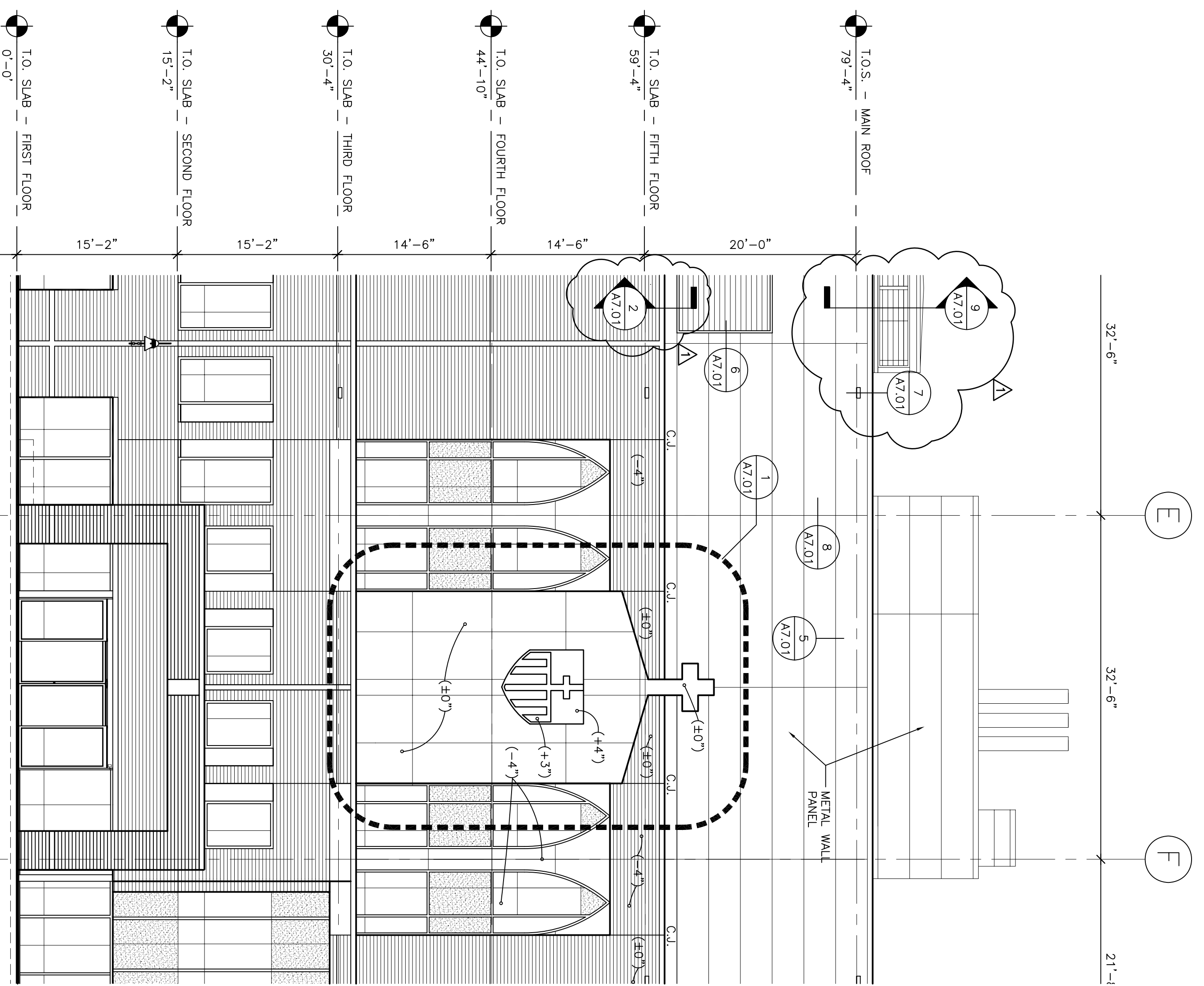
Hoffmann

Francis Cauffman  
 Foley Hoffmann  
 Architects Ltd.  
 2120 Acorn Street  
 Philadelphia, PA 19103  
 215-568-8250

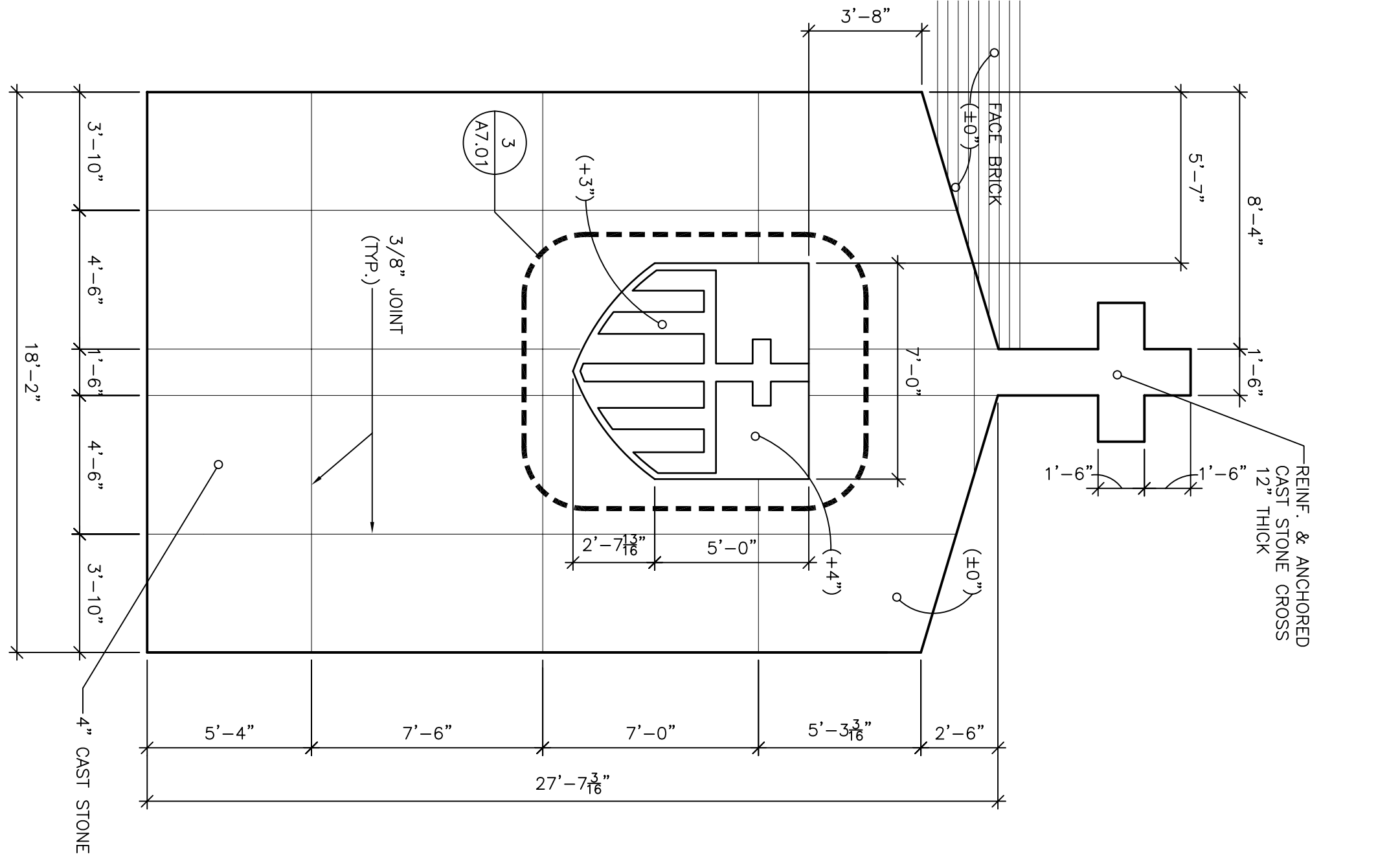
Project Title  
 Mercy Health  
 System of Maine  
 FORE RIVER SHORT  
 STAY HOSPITAL

Project Number  
 05-4898

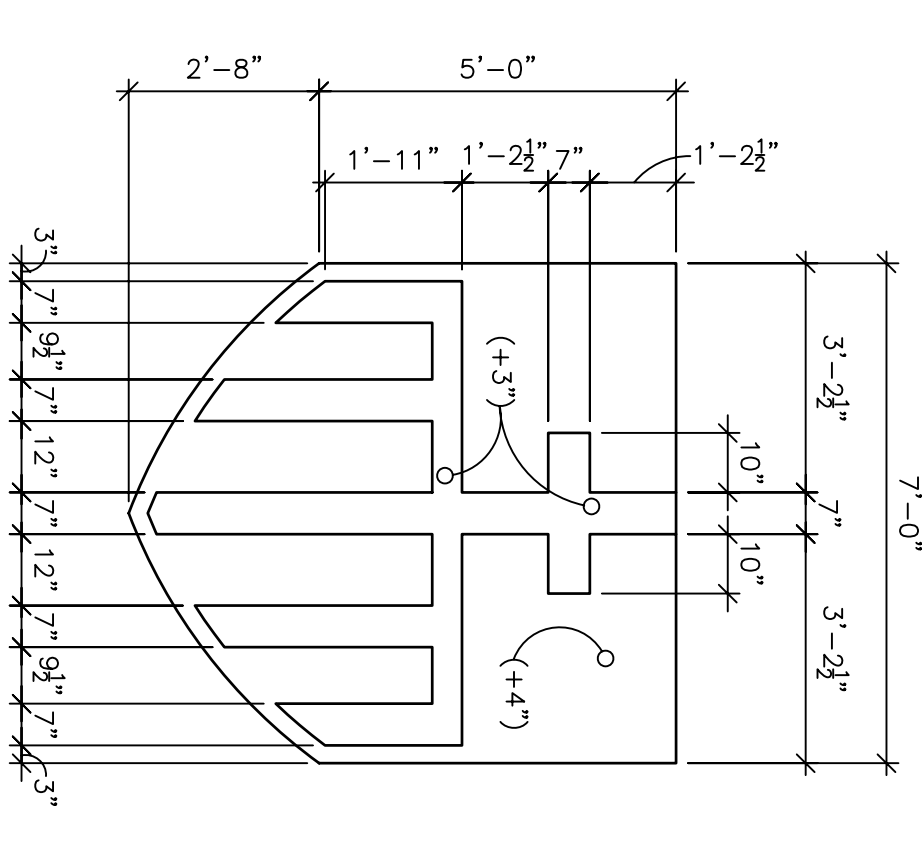
Project Name  
 Mercy Health  
 System of Maine  
 FORE RIVER SHORT  
 STAY HOSPITAL



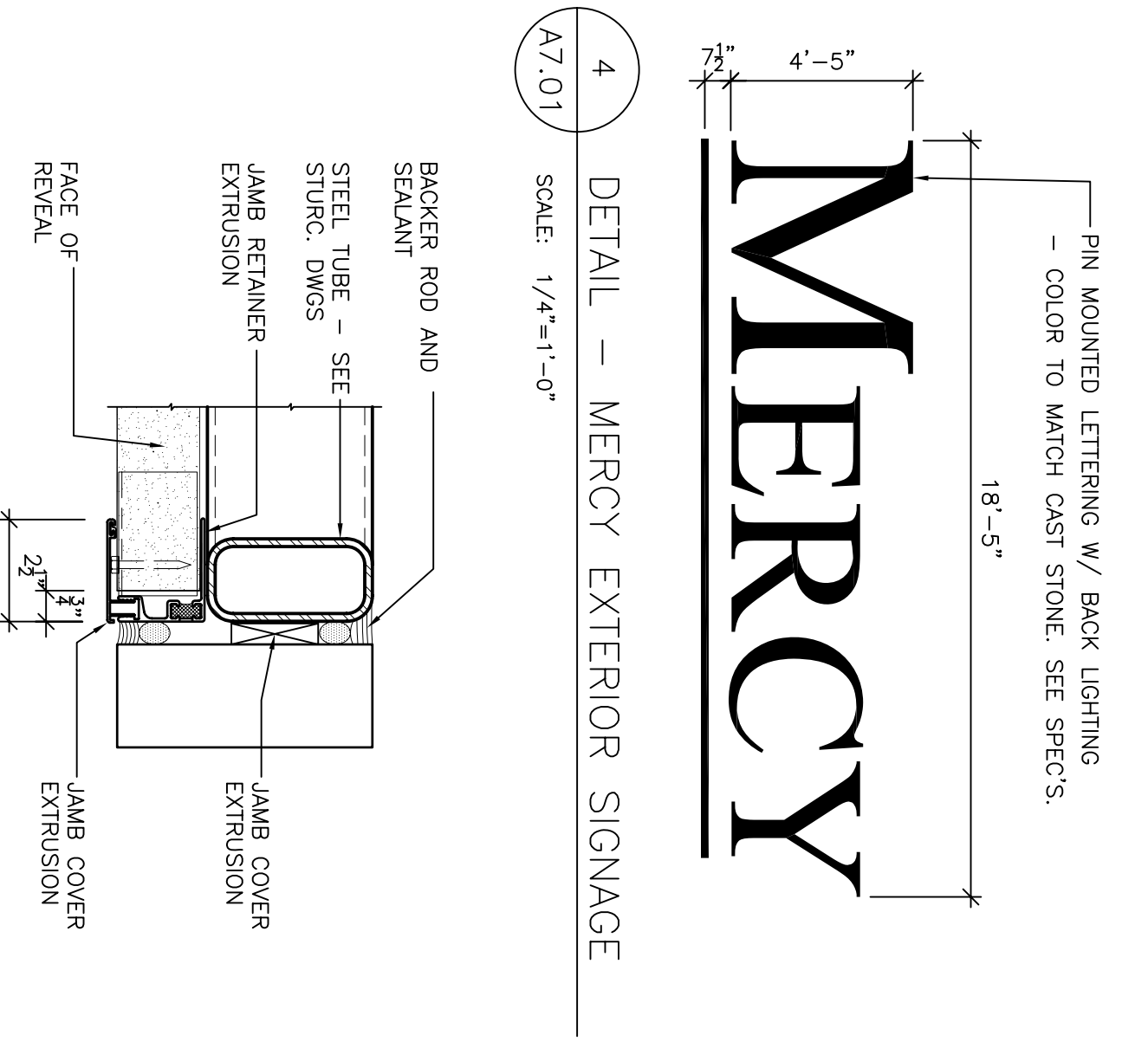
1 DETAIL - CAST STONE PANEL  
 SCALE: 1/4"=1'-0"



3 DETAIL - STONE INLAY  
 SCALE: 3/8"=1'-0"



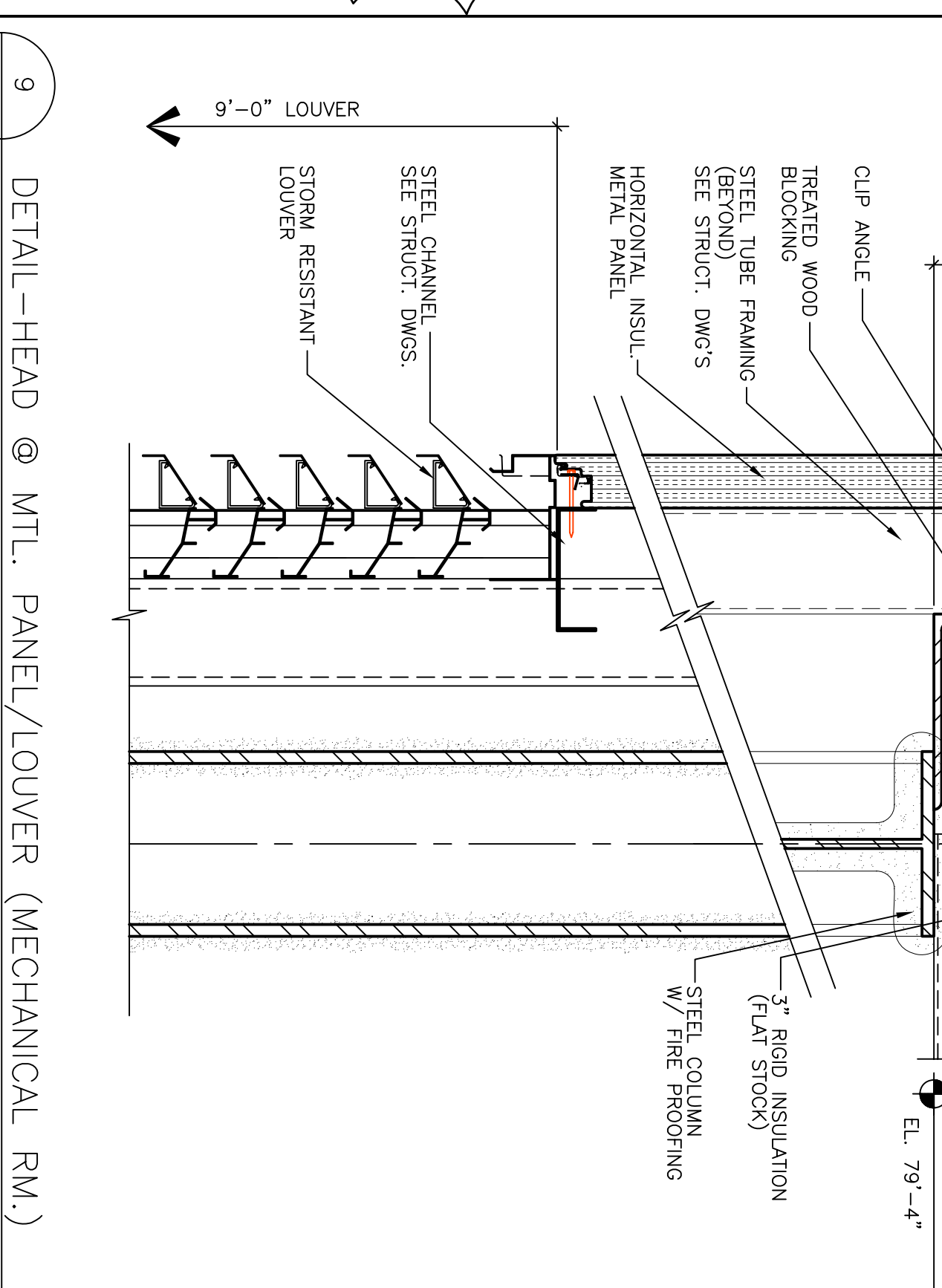
4 DETAIL - MERCY EXTERIOR SIGNAGE  
 SCALE: 1/4"=1'-0"



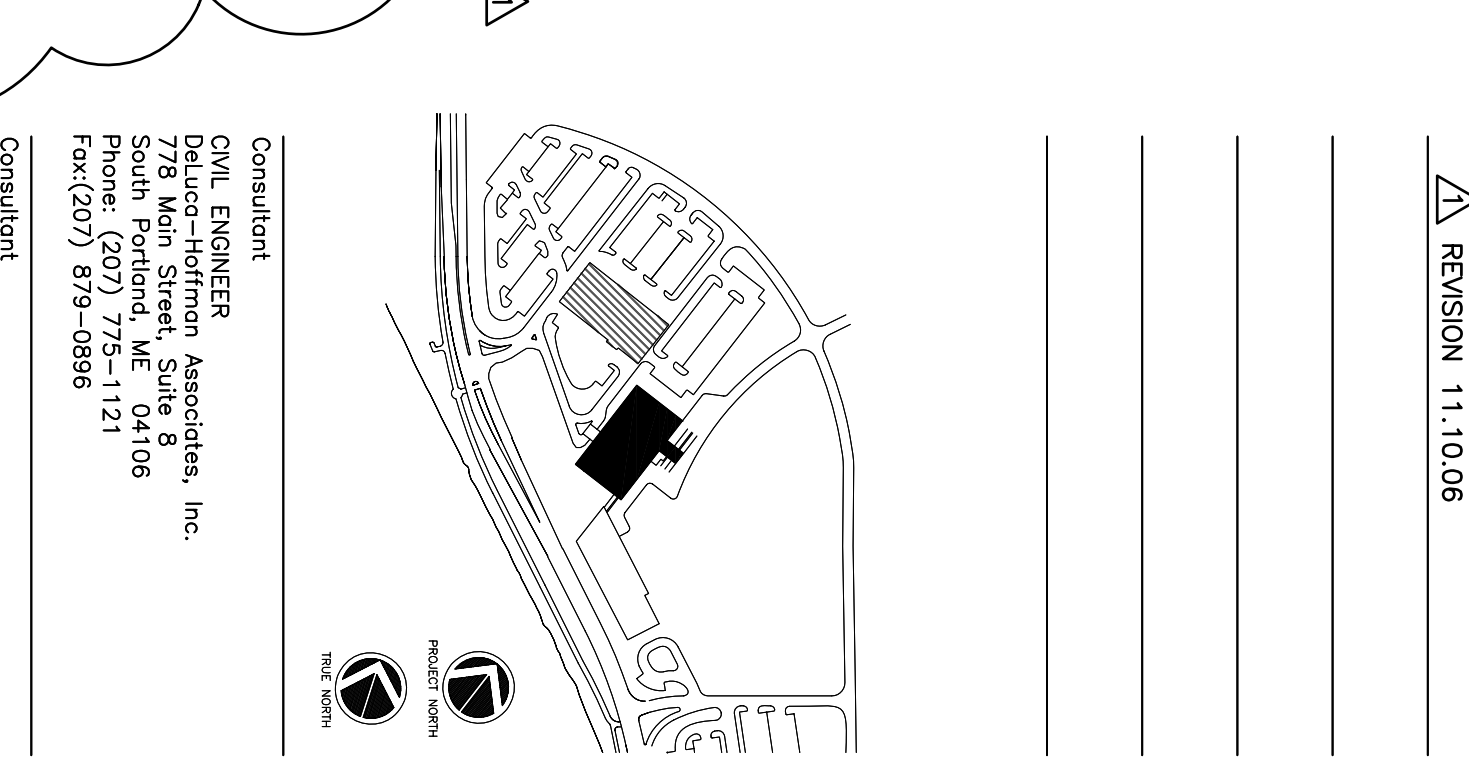
6 JAMB DETAIL (TYP.)  
 SCALE: 3/4"=1'-0"



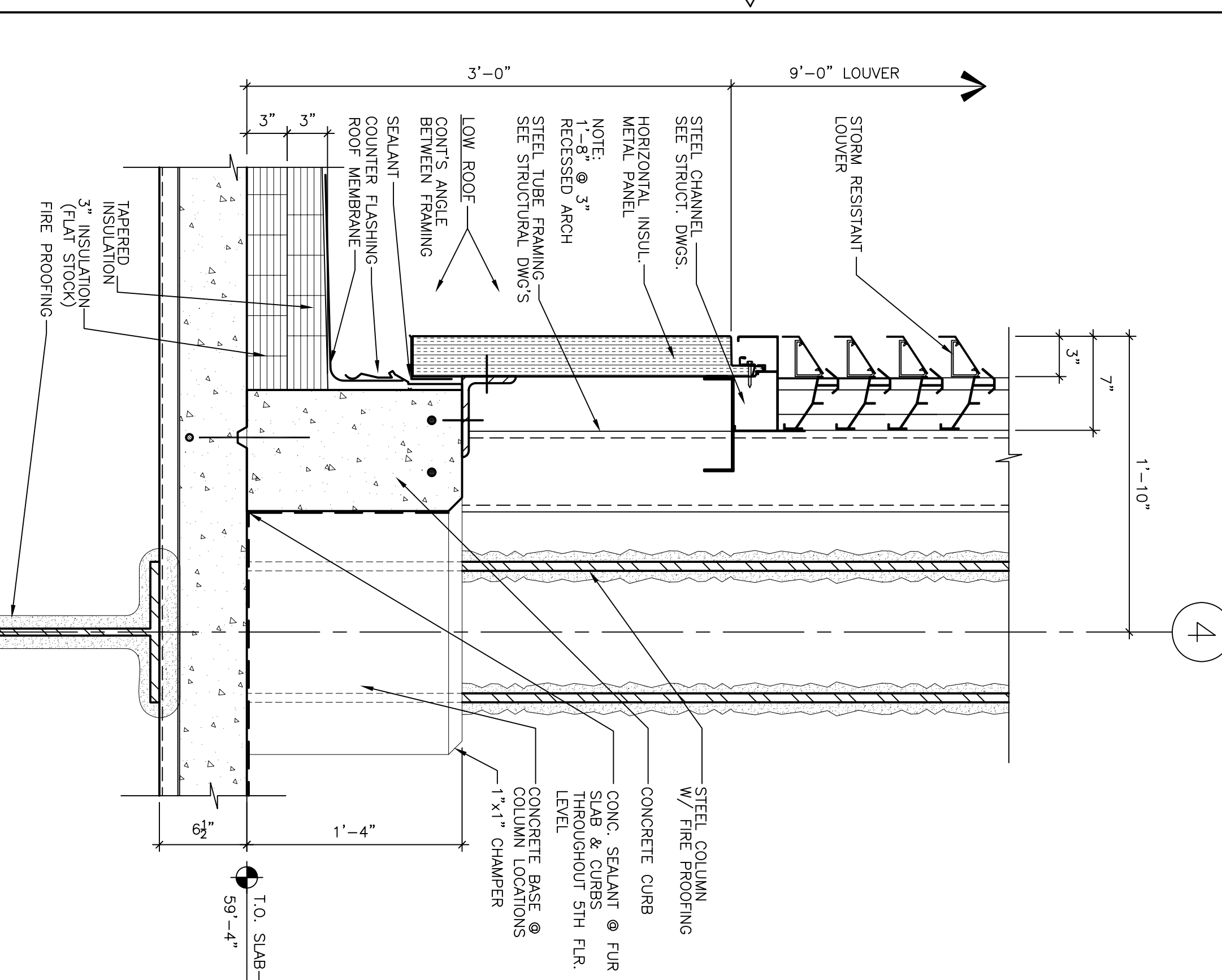
8 VERTICAL JOINT DETAIL (TYP.)  
 SCALE: 3/4"=1'-0"



7 SCUPPER DETAIL (TYP.)  
 SCALE: 3/4"=1'-0"



9 DETAIL - HEAD @ MTL. PANEL/LOUVER (MECHANICAL RM.)  
 SCALE: 1-1/2"=1'-0"



2 DETAIL - SILL @ MTL. PANEL/LOUVER (MECHANICAL RM.)  
 SCALE: 1-1/2"=1'-0"

