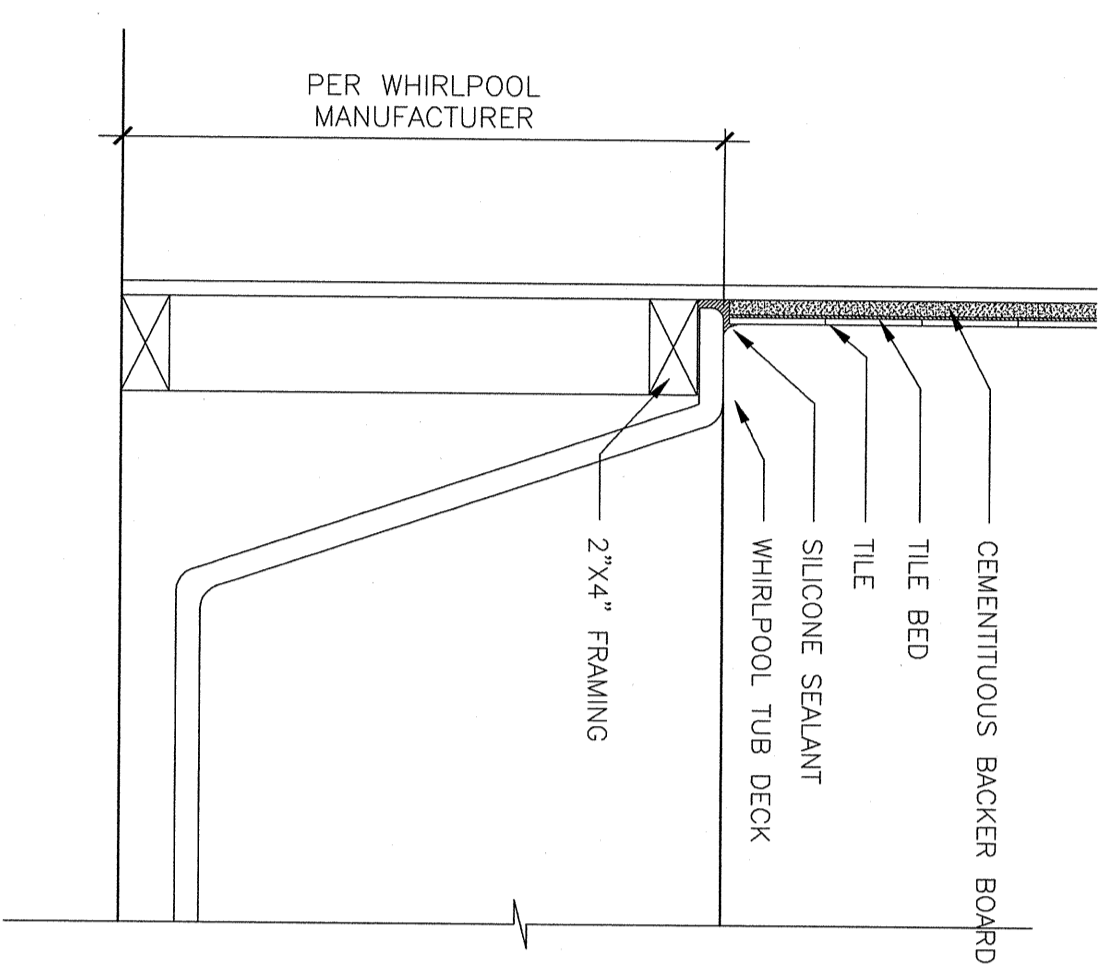
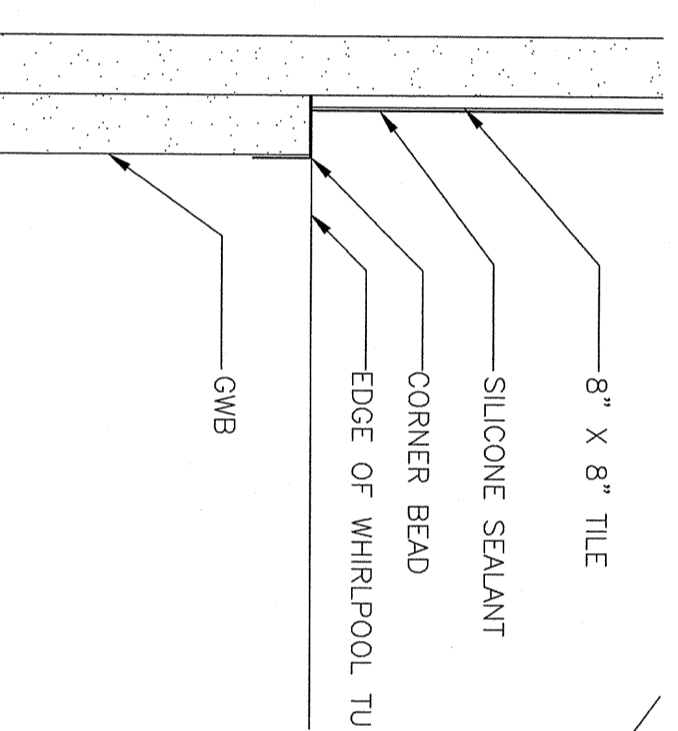


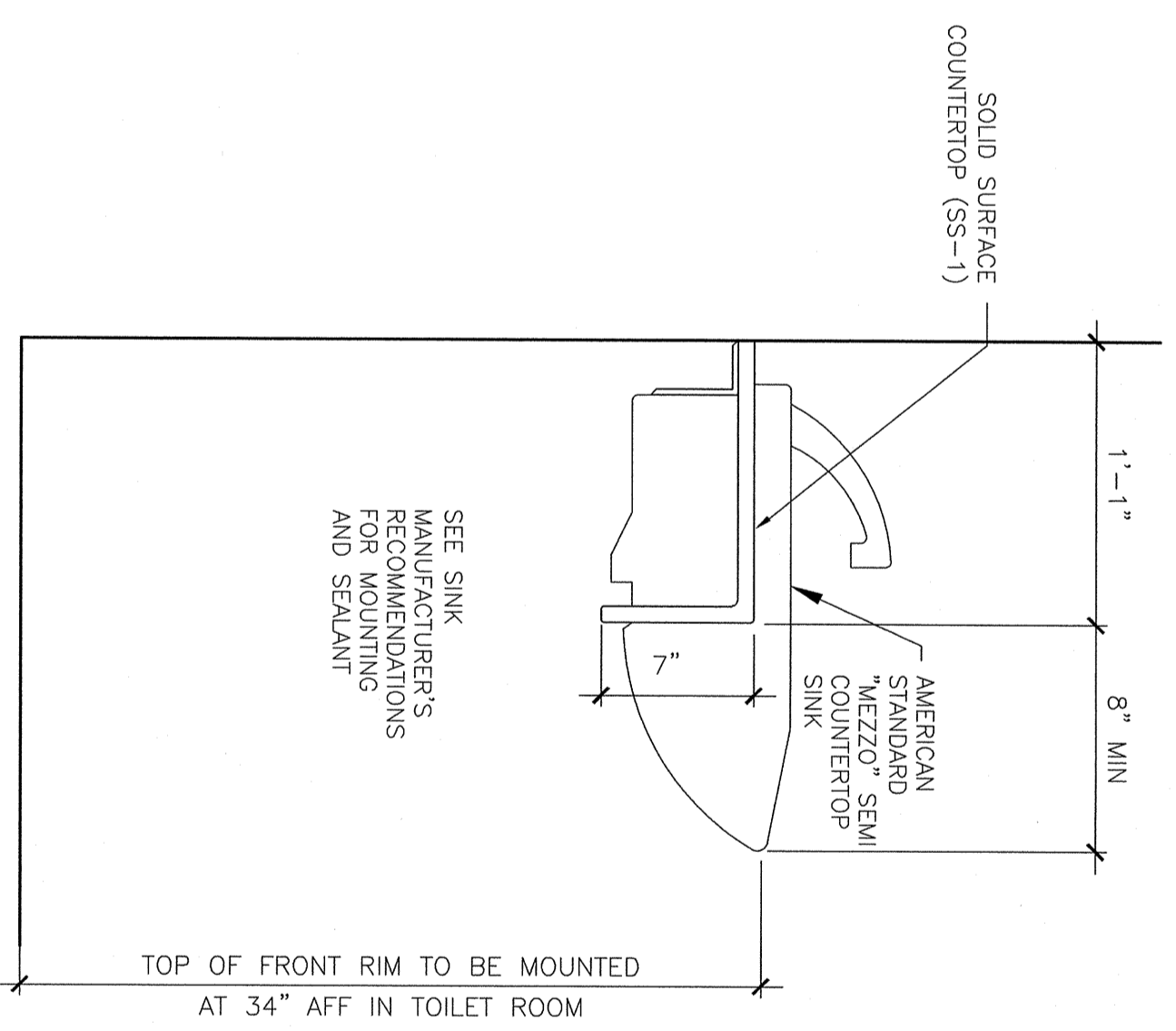
1 PERSONAL PROTECTION CABINET  
A6.12 1"=1'-0"



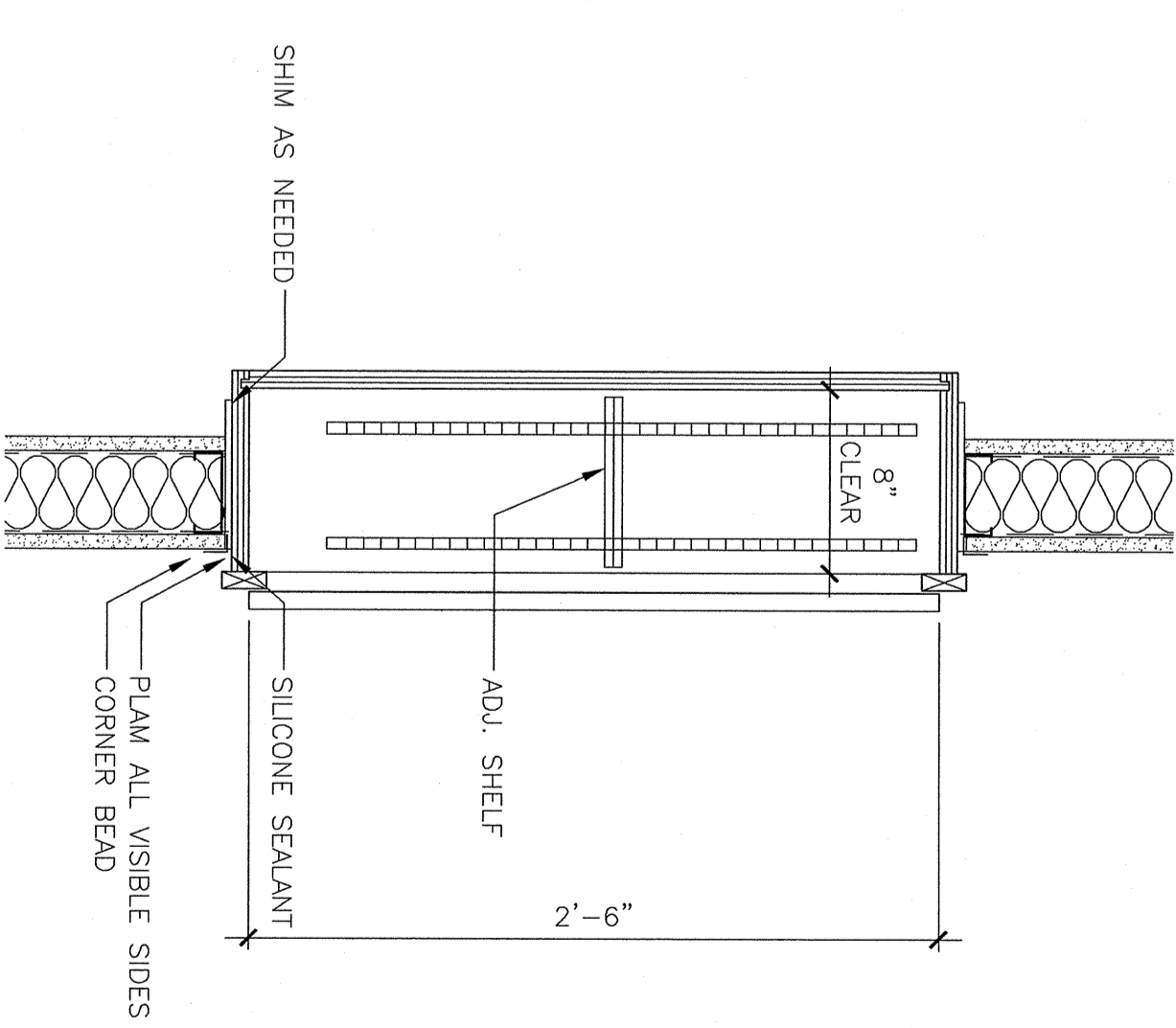
2 TUB FRAMING DETAIL  
A6.12 1-1/2"=1'-0"



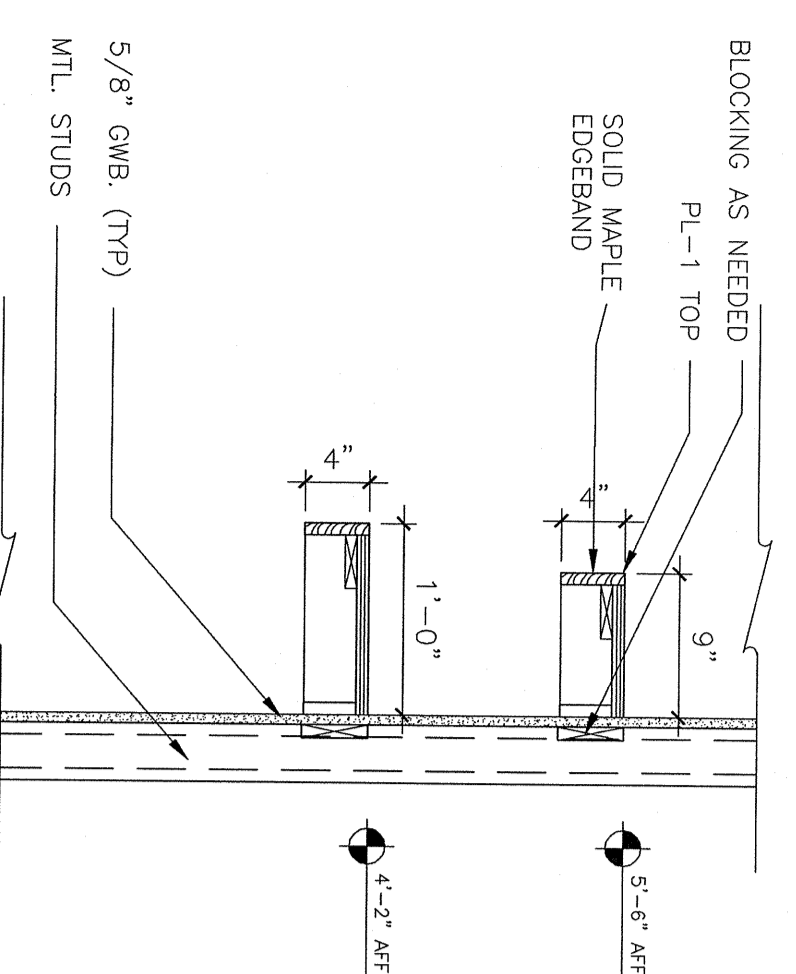
3 PLAN DETAIL AT WHIRLPOOL  
A6.12 6"=1'-0"



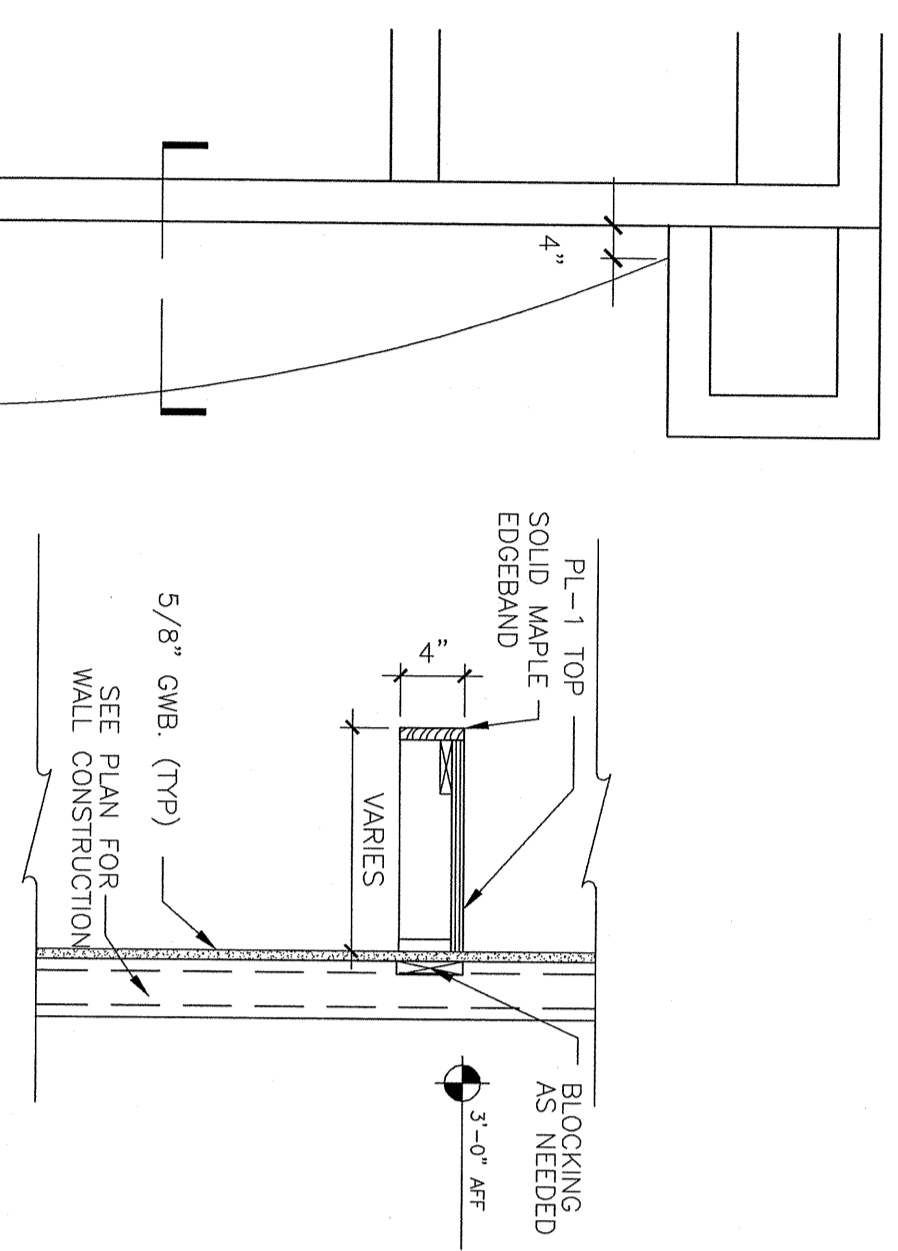
4 PATIENT TOILET ROOM SINK  
A6.12 1-1/2"=1'-0"



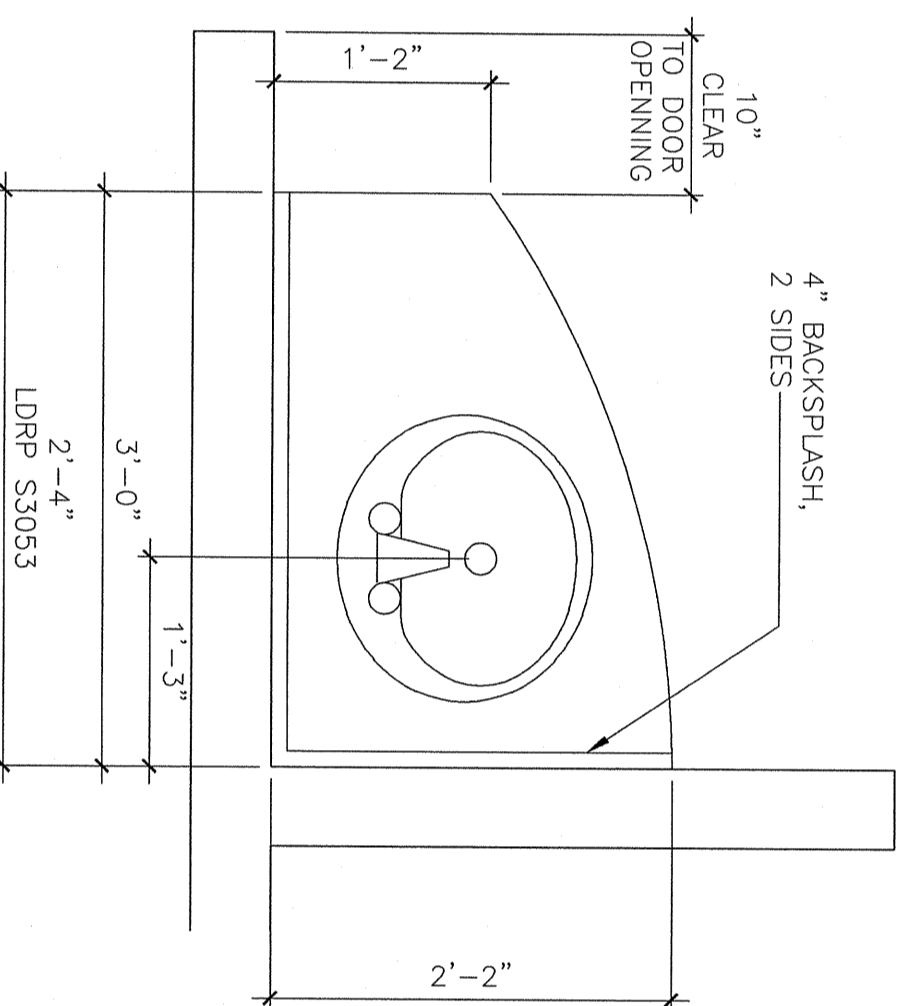
5 SEMI-RECESSED CABINET  
A6.12 1-1/2"=1'-0"



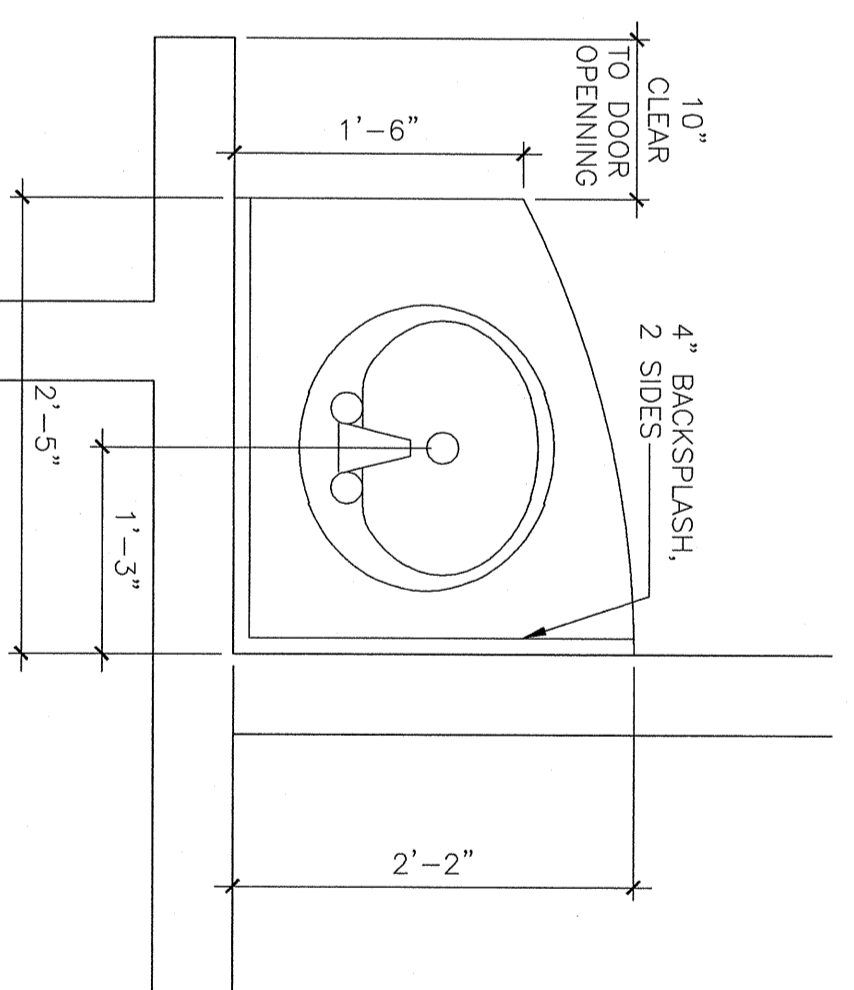
6 PAT. RM. SHELF DETAIL  
A6.12 1"=1'-0"



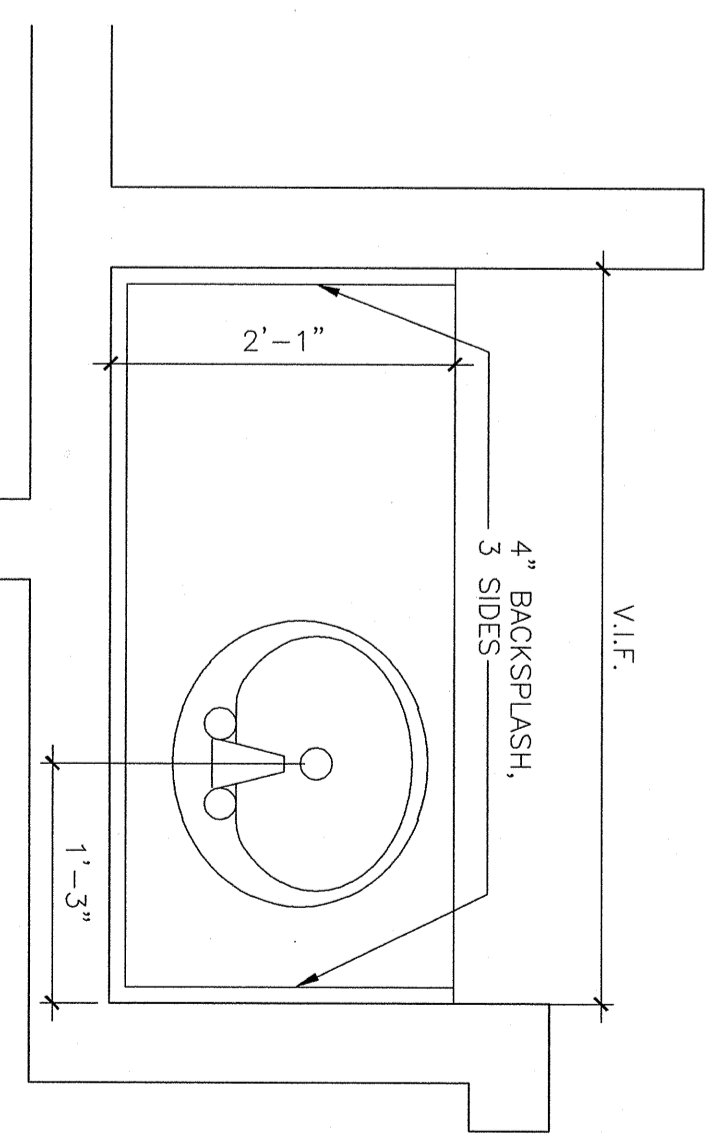
7 CORRIDOR S4X60 COUNTER DETAIL  
A6.12 1-1/2"=1'-0"



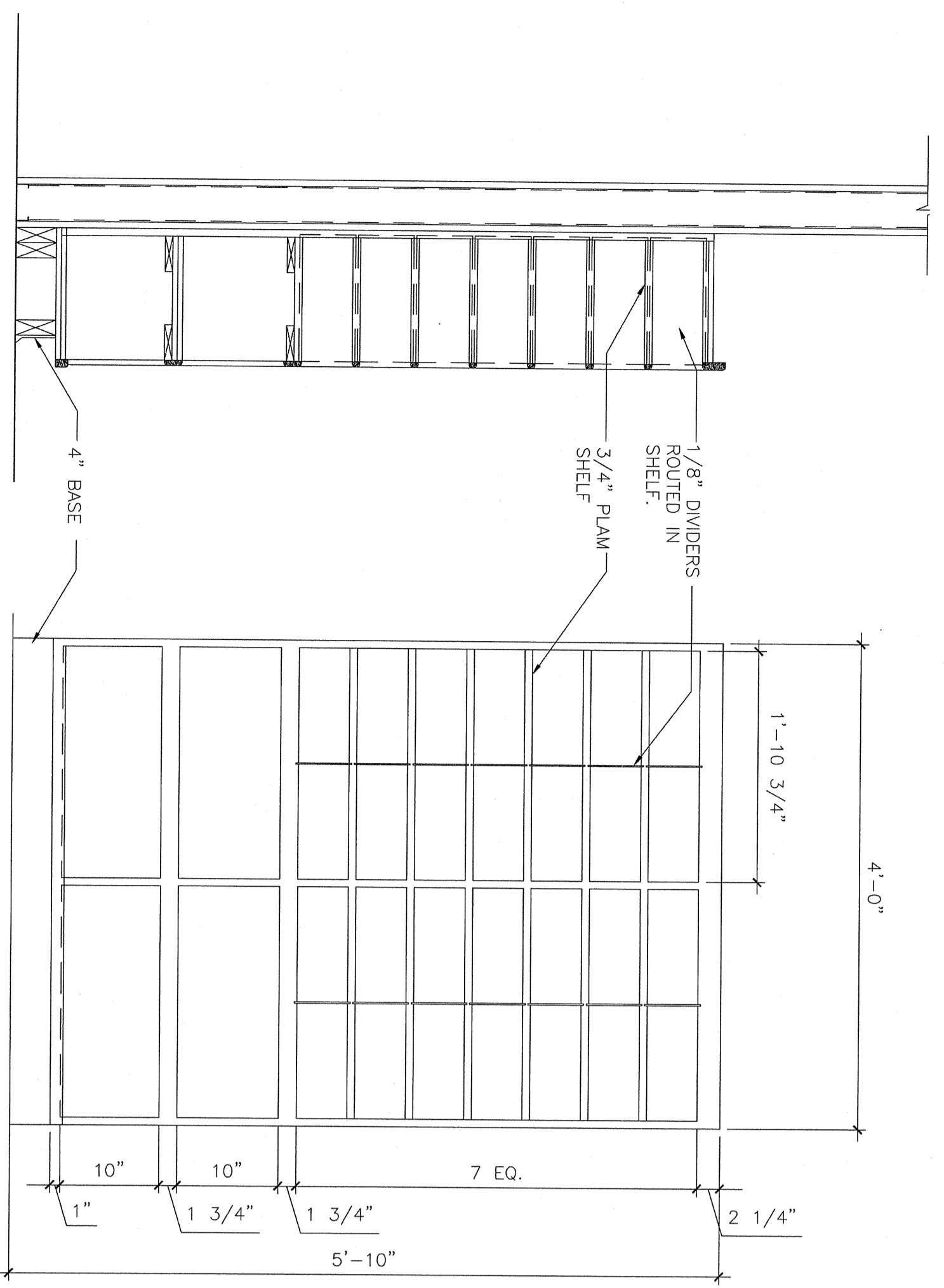
8 PATIENT ROOM SINK (3RD FLOOR TYP.)  
A6.12 1"=1'-0"



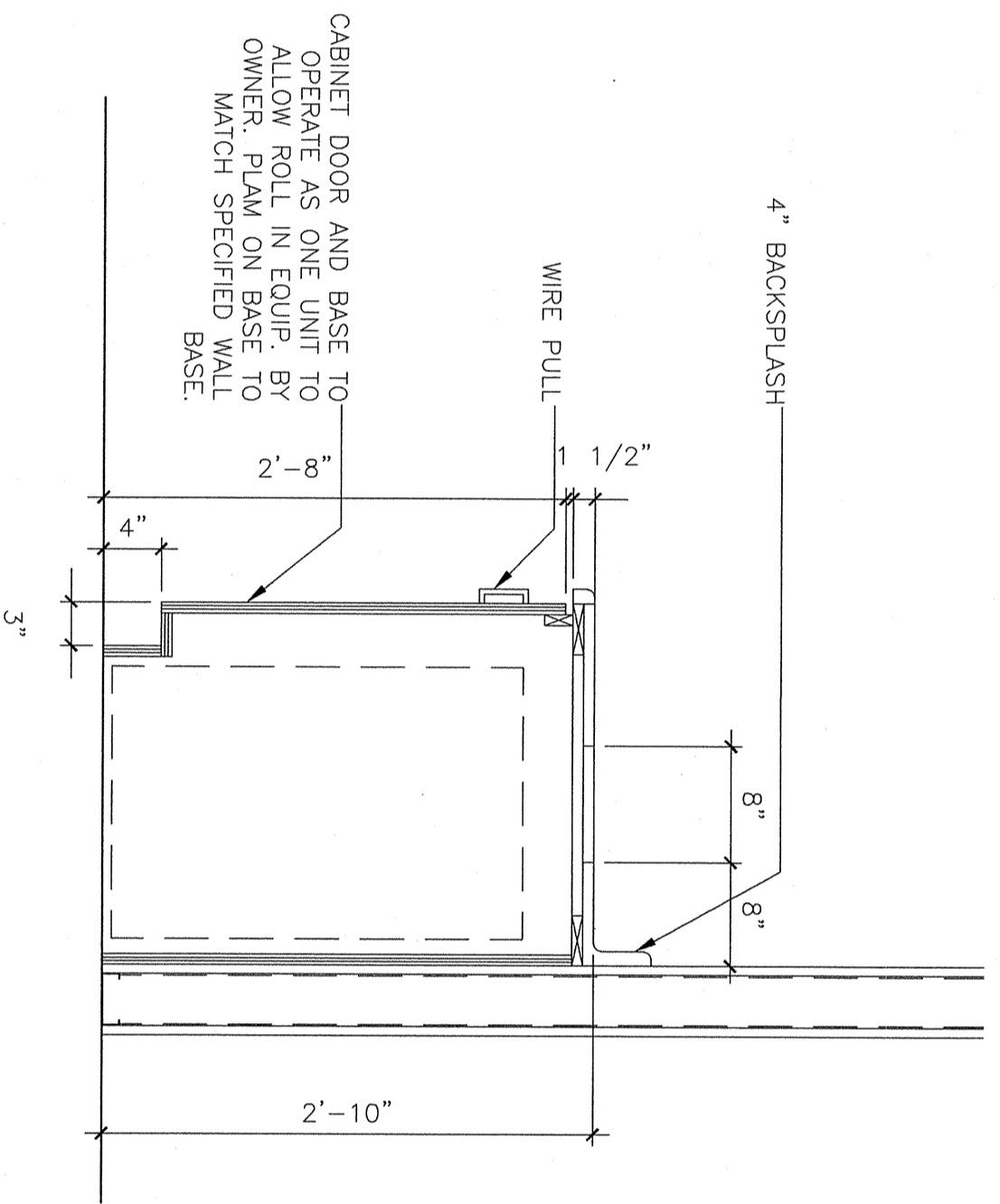
9 PATIENT ROOM SINK (4TH FLOOR TYP.)  
A6.12 1"=1'-0"



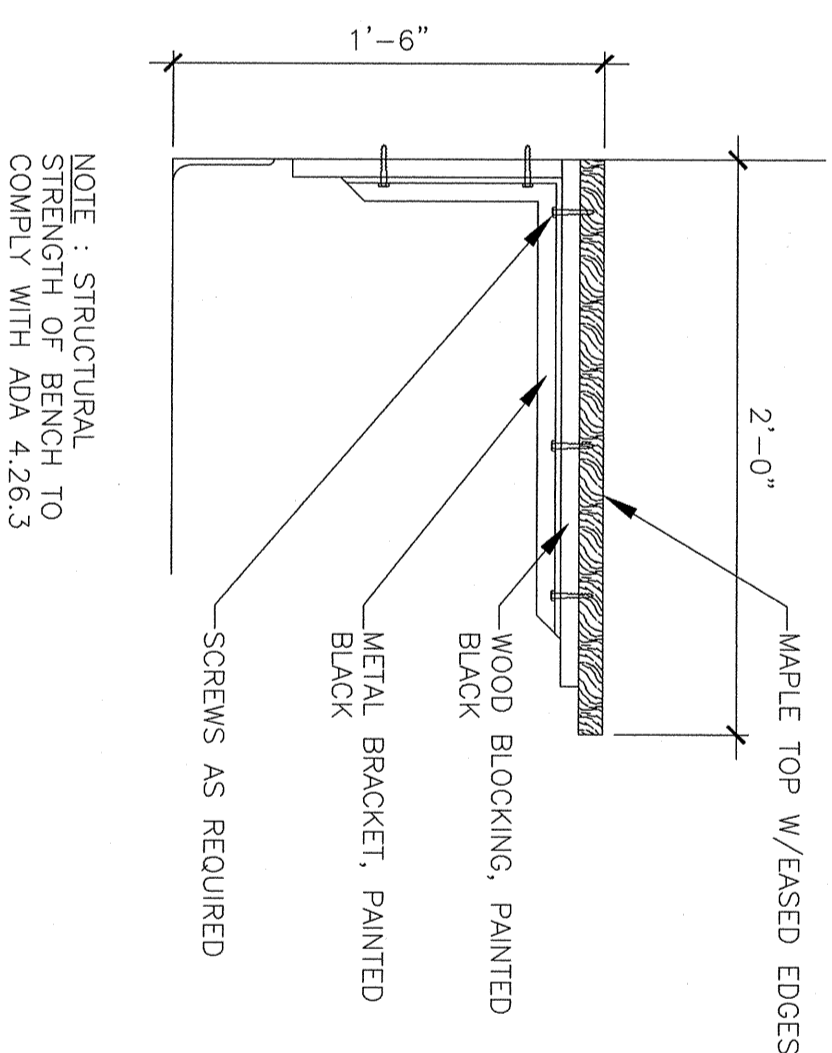
10 ISOLATION ROOM SINK (4TH FLOOR TYP.)  
A6.12 1"=1'-0"



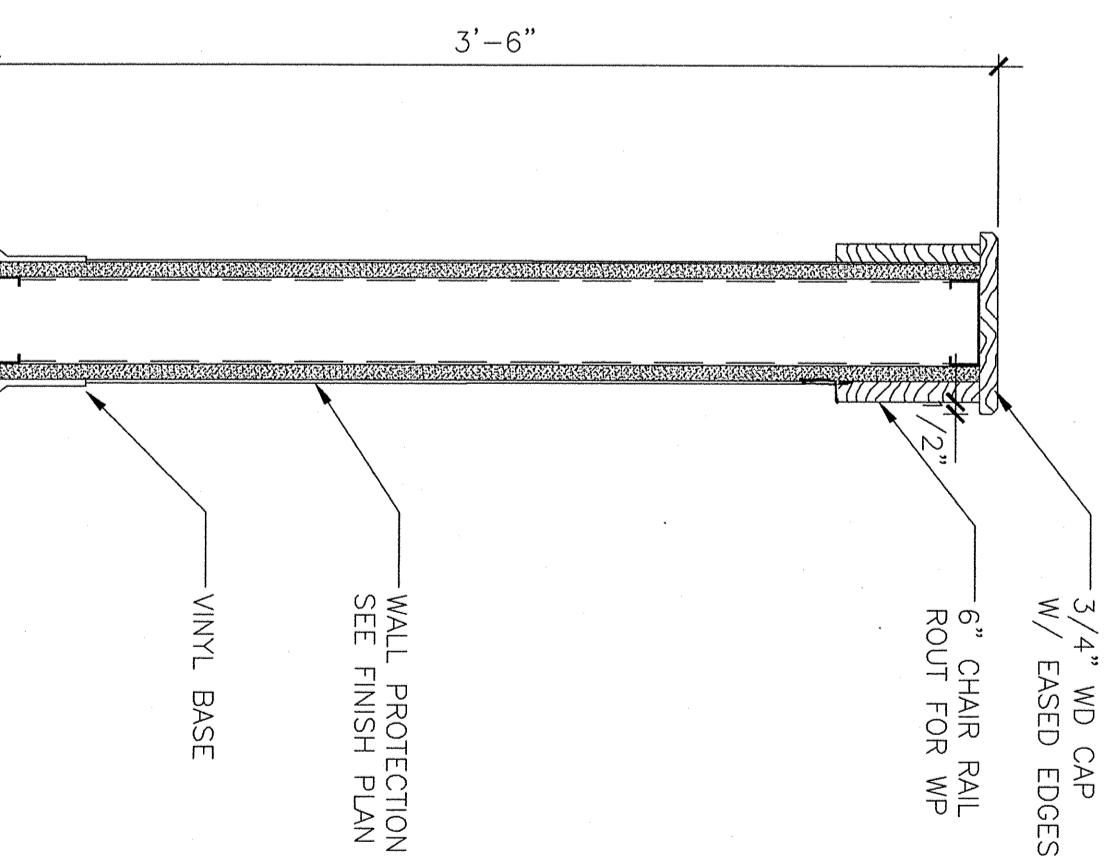
11 SHOE/BOOT CUBBY DETAIL  
A6.12 1"=1'-0"



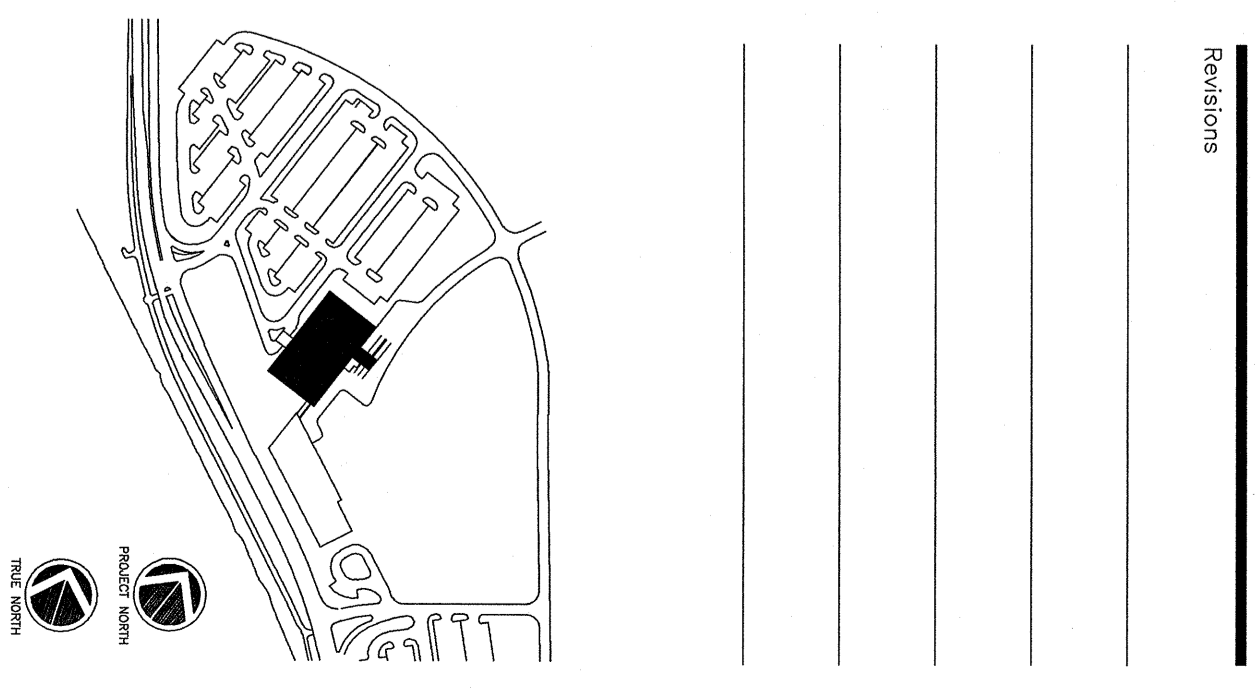
12 COUNTER SECTION FOR TRASH CABINET  
A6.12 1"=1'-0"



13 LOCKER ROOM BENCH  
A6.12 1"=1'-0"



14 ALCOVE WALL SECTION  
A6.12 1-1/2"=1'-0"



Consultant  
GVL ENGINEERS  
Civil-Structural-Interior-Exterior  
Dulac-Hoffman Associates, Inc.  
2000 North Main Street  
South Portland, ME 04106  
Phone: (207) 775-1121  
Fax: (207) 775-0580

Consultant  
ASSOCIATE ARCHITECT/STRUCTURAL ENGINEER  
MARK FOR STREET P.O. Box 618  
Portland, Maine 04104  
Phone: (207) 775-0546  
Fax: (207) 775-0539

Consultant  
MECHANICAL/ELECTRICAL ENGINEER  
The Assessed on the Charges  
311 Assenal Street  
Portland, ME 04103  
Phone: 617-254-0016  
Fax: 617-254-9339

Consultant  
EQUIPMENT PLANNING  
1893 General George Patton Drive  
Portland, ME 04106  
Phone: (616) 376-5100  
Fax: (616) 376-3114

Consultant  
CONTRACTOR  
Gibson Building Company  
7 Jackson Way  
Portland, ME 04106  
Phone: (401) 556-5905  
Fax: (401) 556-5516

Consultant  
FLOOR SERVICE  
Heron Floorcare, LLC  
1000 Commercial Street  
Portland, ME 04106  
Phone: (616) 321-5591  
Fax: (616) 321-6589

It is the responsibility of the Construction Manager/General Contractor and all subcontractors and vendors to ensure that all work complies with the approved plans and specifications. It is the responsibility of the Construction Manager/General Contractor to ensure that all work is done in accordance with the approved plans and specifications. It is the responsibility of the Construction Manager/General Contractor to ensure that all work is done in accordance with the approved plans and specifications.

AS NOTED

Francis

Cauffman

Foley

Hoffmann

Project Title  
Mercy Health Care System of Maine FORE RIVER SHORT STAY HOSPITAL

Project Location  
2120 Acorn Street  
Portland, ME 04103  
215-968-8250

Project Number  
FD5-4989

Drawing Title and Number  
Interior Details  
A6.12

