

PROJECT LOCATION

Consultant
 CIVIL/MECHANICAL
 Deluca-Hoffmann Associates, Inc.
 205 Robinson Street, Suite 816
 Philadelphia, PA 19103
 Phone: (207) 775-1121
 Fax: (207) 879-0988

Consultant
 ASSOCIATE ARCHITECT/STRUCTURAL ENGINEER
 SMART
 1000 Pine Street, P.O. Box 818
 Portland, Maine 04104
 Phone: (207) 772-3846
 Fax: (207) 772-1070

Consultant
 MECHANICAL/ELECTRICAL ENGINEER
 Bond, Hood & Arbones Consulting Engineers, LLC
 311 Arsenal Street, Suite 800
 Philadelphia, PA 19106
 Phone: (215) 251-2189
 Fax: 6179242339

Consultant
 EQUIPMENT PLANNING
 Equipment Planning
 1893 General George Patton Drive
 Franklin, Tennessee 37067
 Phone: (615) 376-3114
 Fax: (615) 376-3114

Consultant
 CONSTRUCTION MANAGER
 7 Johnson Walkway
 Princeton, NJ 08540
 Phone: (601) 456-8906
 Fax: (401) 456-5516

Consultant
 Interior Foundation, LLC
 1808 West End Ave. Suite 1400
 Memphis, TN 38102
 Phone: (615) 321-5591
 Fax: (615) 321-5689

Manager/General Contractor and all other trades accept conditions of prior work by sealed codes before proceeding with any work.

Date

11/10/06 FINAL - ISSUE FOR BID

Drawn By

MAF/JUL/CLB/CLJ

Scale

AS NOTED

Francis

Cauffman

Foley

Hoffmann

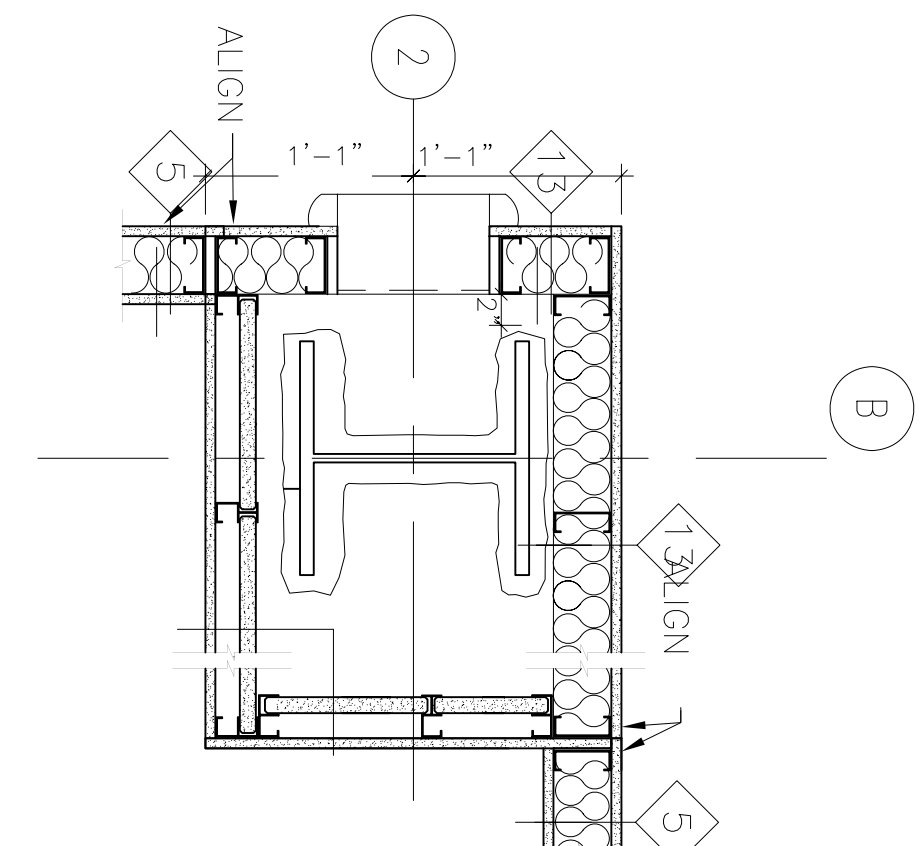
Project Location
 Project Number
 Project Name

Mercy Health Core
 System of Maine
 FORE RIVER SHORT
 STAY HOSPITAL

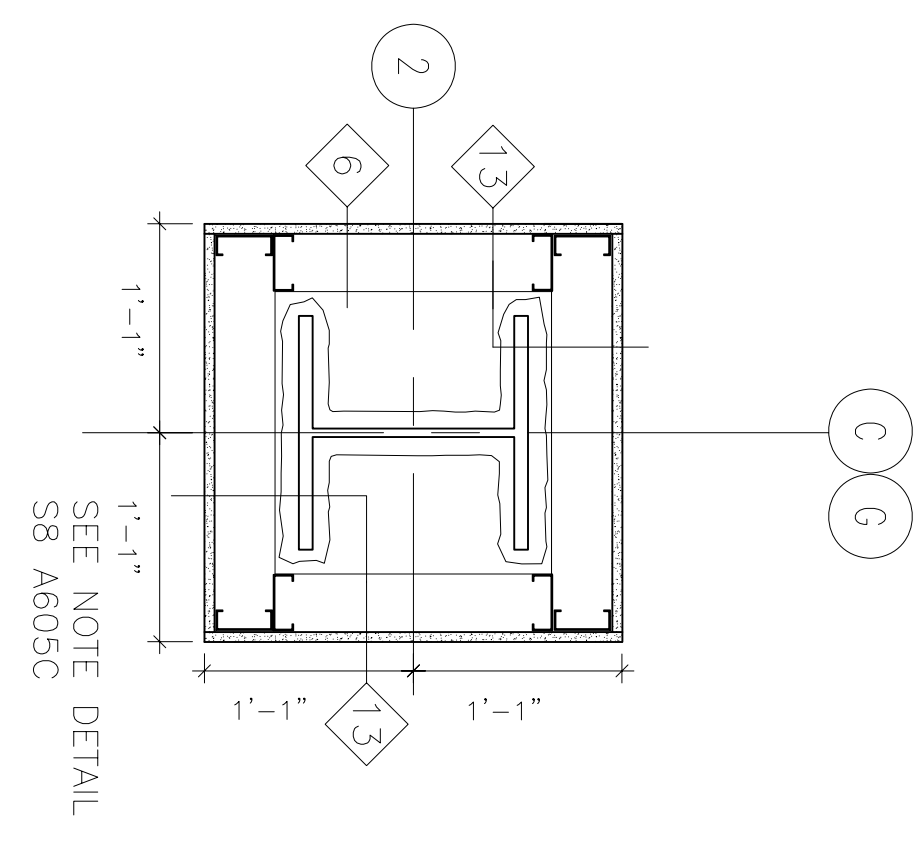


Project Number
 F05-4898
 Drawing Title
 COLUMN DETAILS

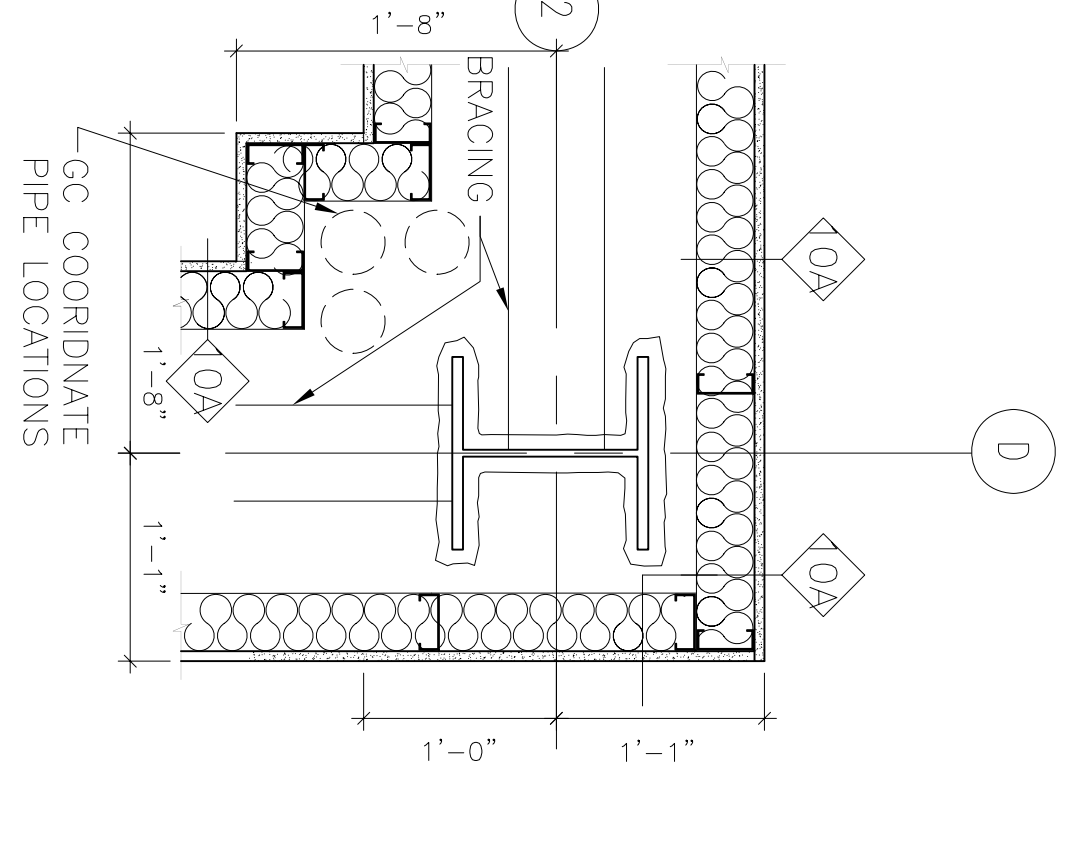
A6.05C



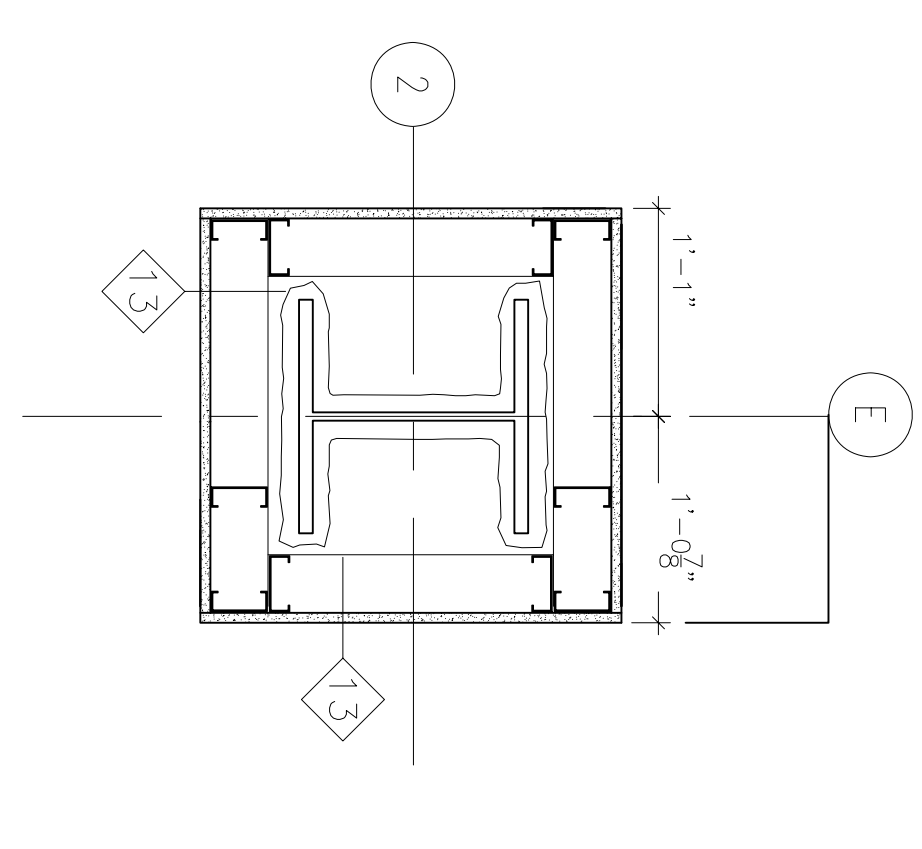
S11 COLUMN DETAIL @ B2
 SCALE 1 1/2"=1'-0"



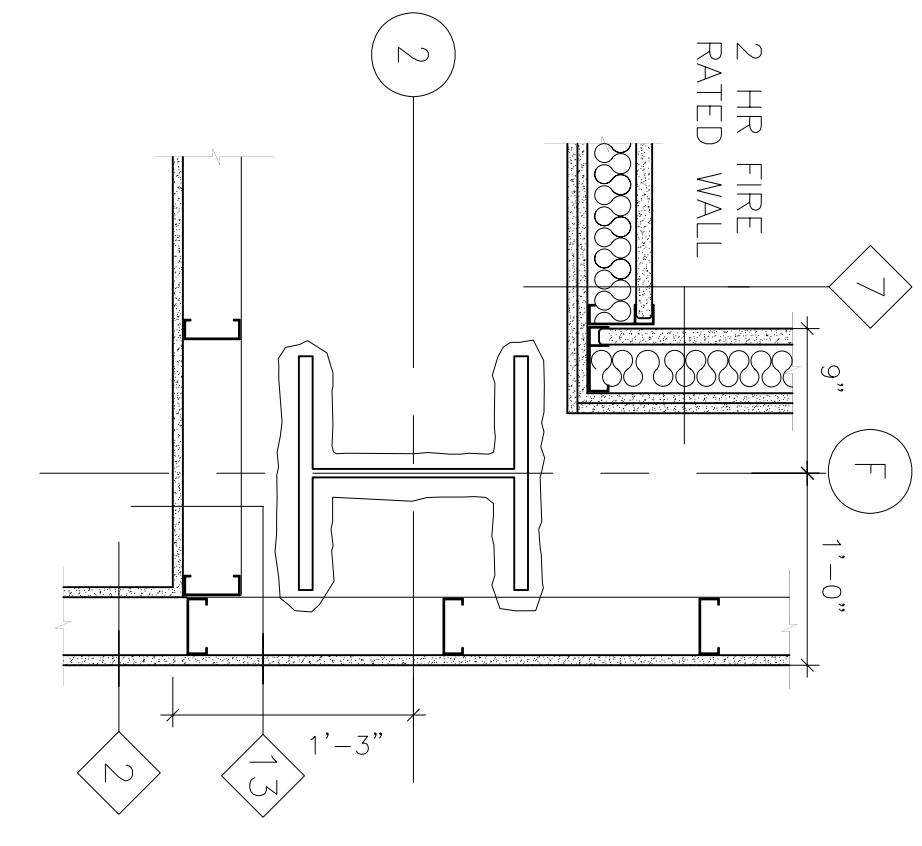
S12 COLUMN DETAIL @ C2
 SCALE 1 1/2"=1'-0"



S13 COLUMN DETAIL @ D2
 SCALE 1 1/2"=1'-0"



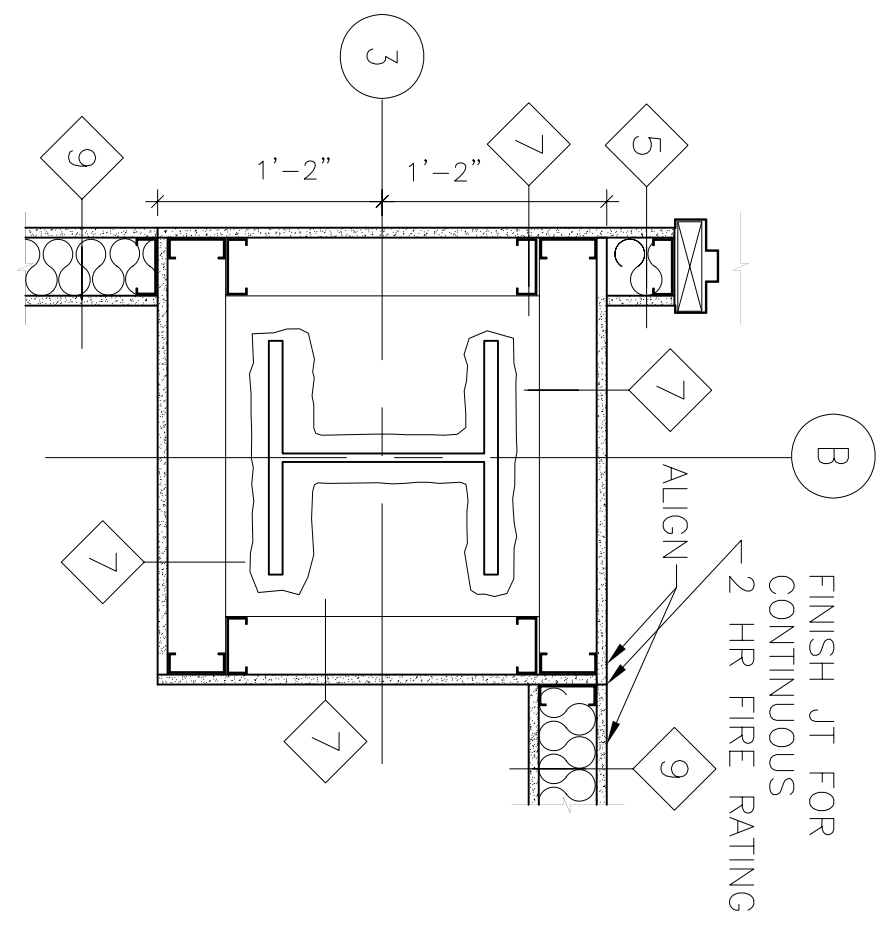
S14 COLUMN DETAIL @ E2
 SCALE 1 1/2"=1'-0"



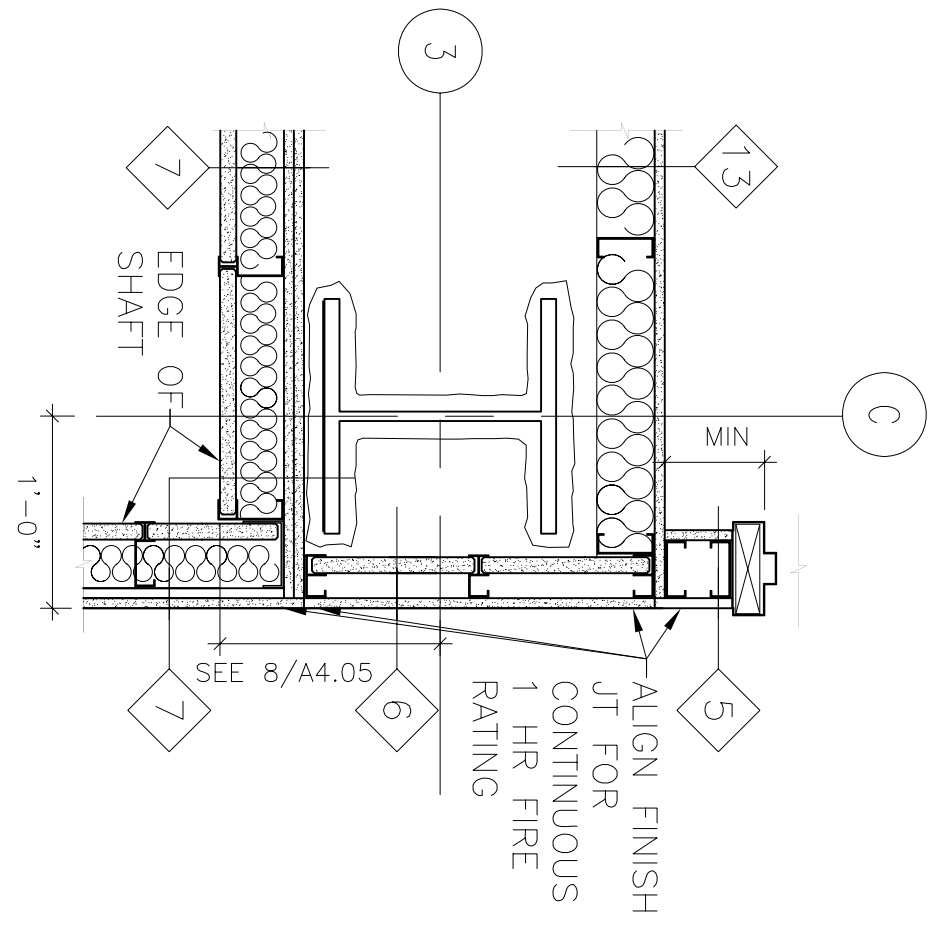
S15 COLUMN DETAIL @ F2
 SCALE 1 1/2"=1'-0"

S16 COLUMN DETAIL @ G2
 SCALE 1 1/2"=1'-0"

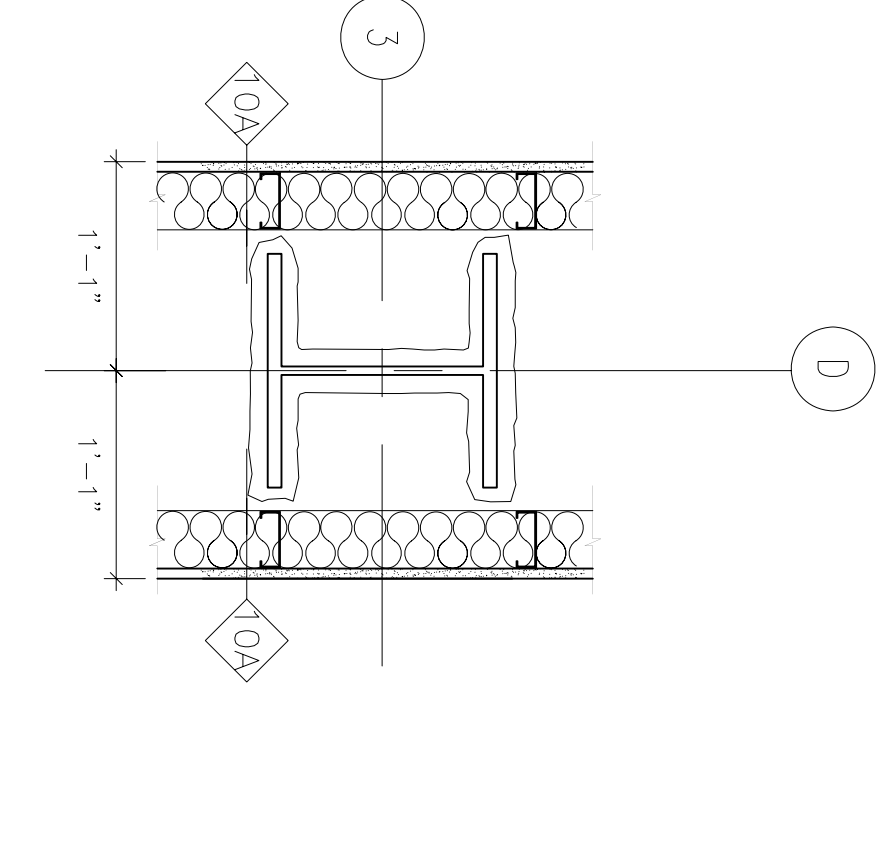
SIMILAR TO COLUMN DETAIL C2 WITH THE EXCEPTION OF A DIFFERENT COLUMN SIZE



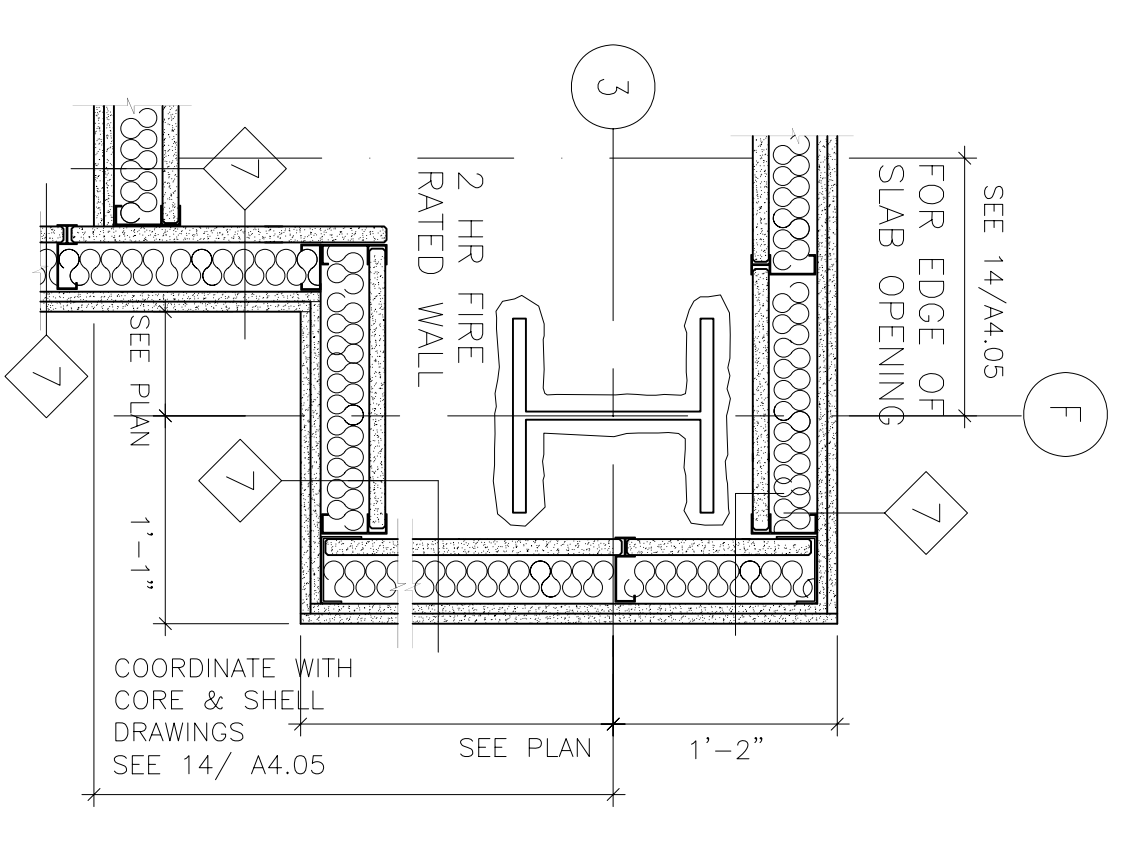
S17 COLUMN DETAIL @ B3
 SCALE 1 1/2"=1'-0"



S18 COLUMN DETAIL @ C3
 SCALE 1 1/2"=1'-0"



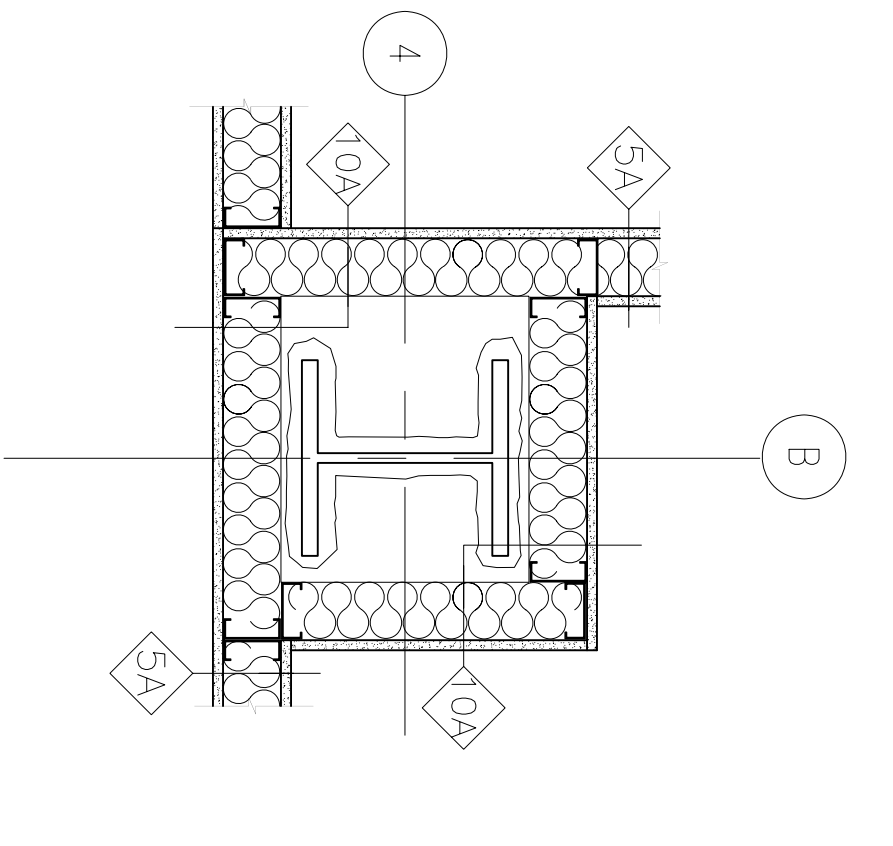
S19 COLUMN DETAIL @ D3
 SCALE 1 1/2"=1'-0"



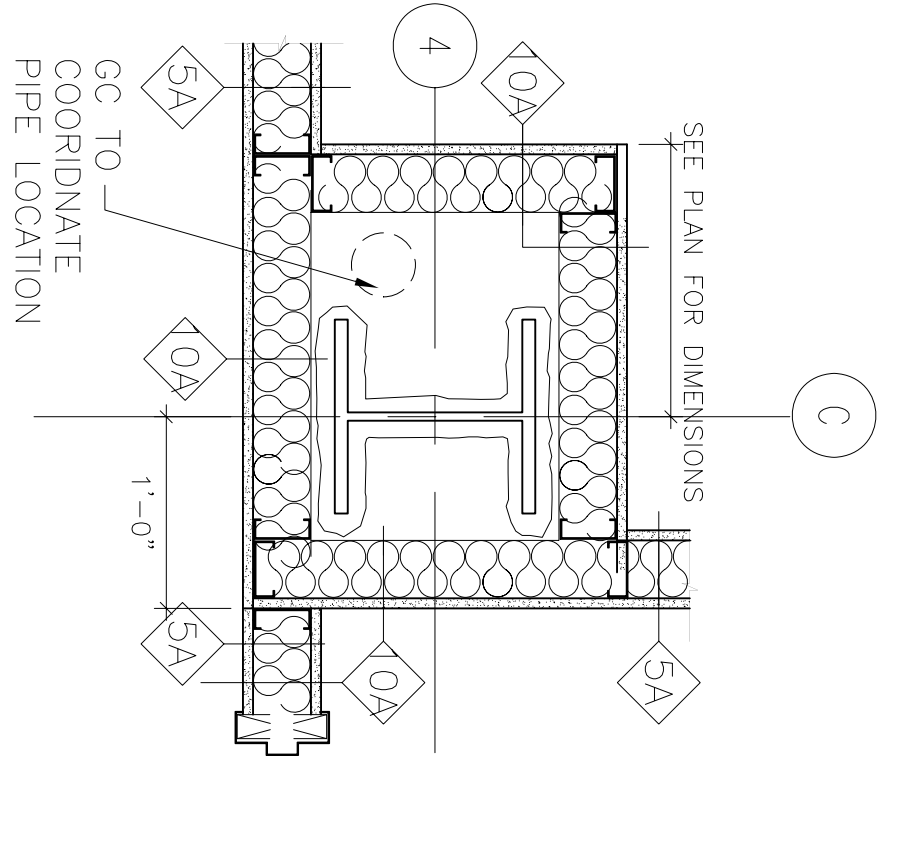
S10 COLUMN DETAIL @ E3
 SCALE 1 1/2"=1'-0"

S11 COLUMN DETAIL @ F3
 SCALE 1 1/2"=1'-0"

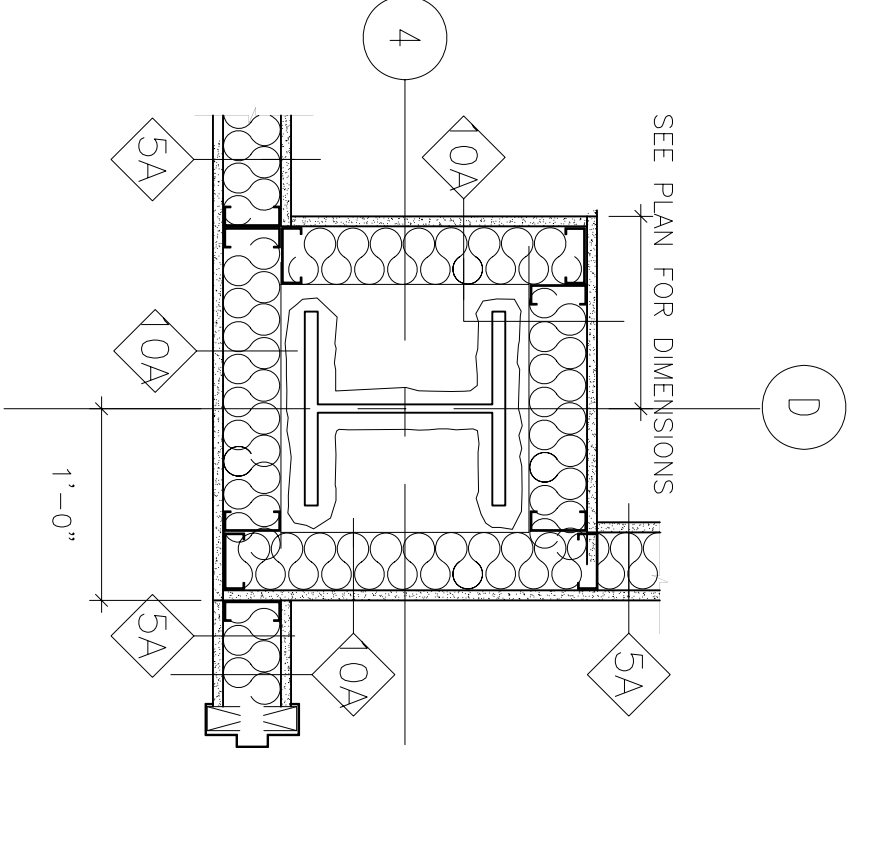
S12 COLUMN DETAIL @ G3
 SCALE 1 1/2"=1'-0"



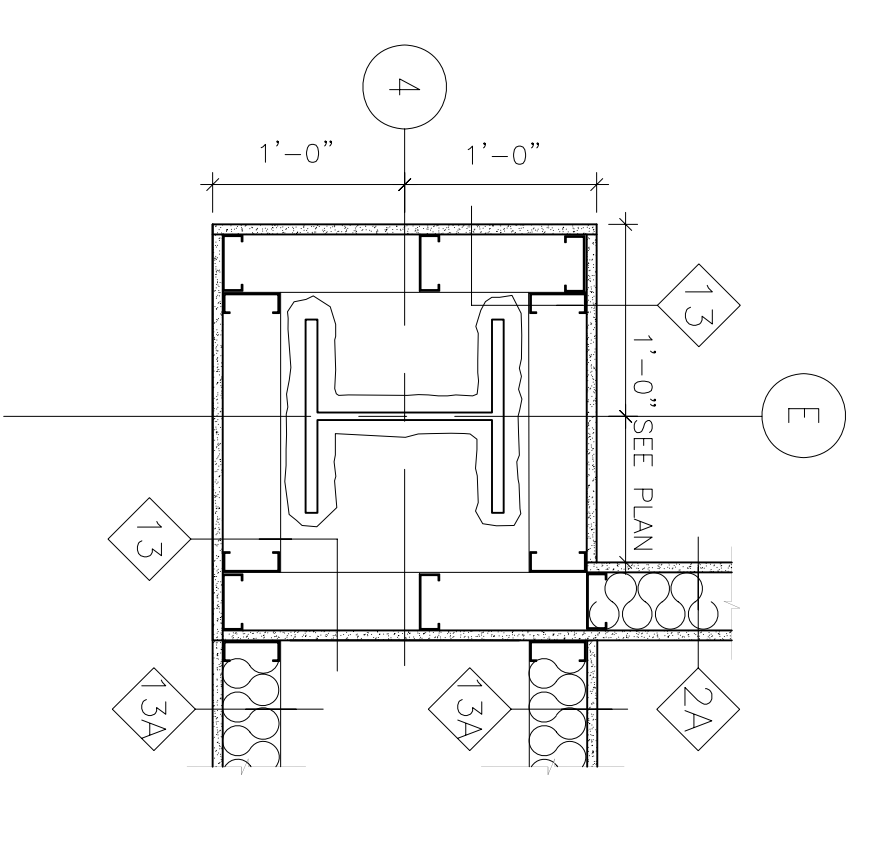
S13 COLUMN DETAIL @ B4
 SCALE 1 1/2"=1'-0"



S14 COLUMN DETAIL @ C4
 SCALE 1 1/2"=1'-0"



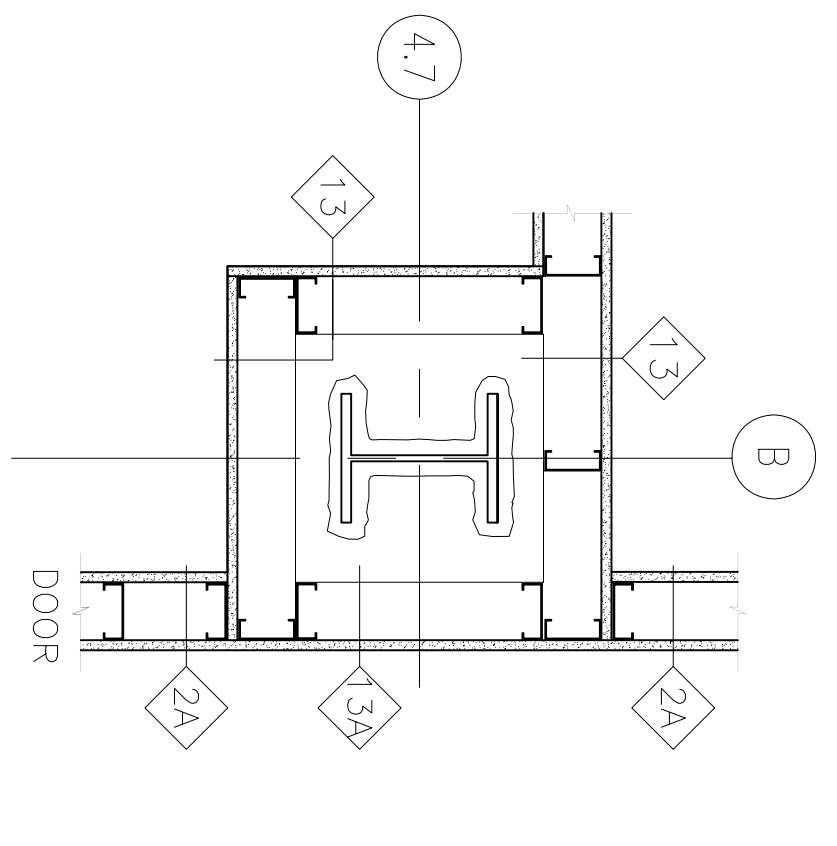
S15 COLUMN DETAIL @ D4
 SCALE 1 1/2"=1'-0"



S16 COLUMN DETAIL @ E4
 SCALE 1 1/2"=1'-0"

S17 COLUMN DETAIL @ F4
 SCALE 1 1/2"=1'-0"

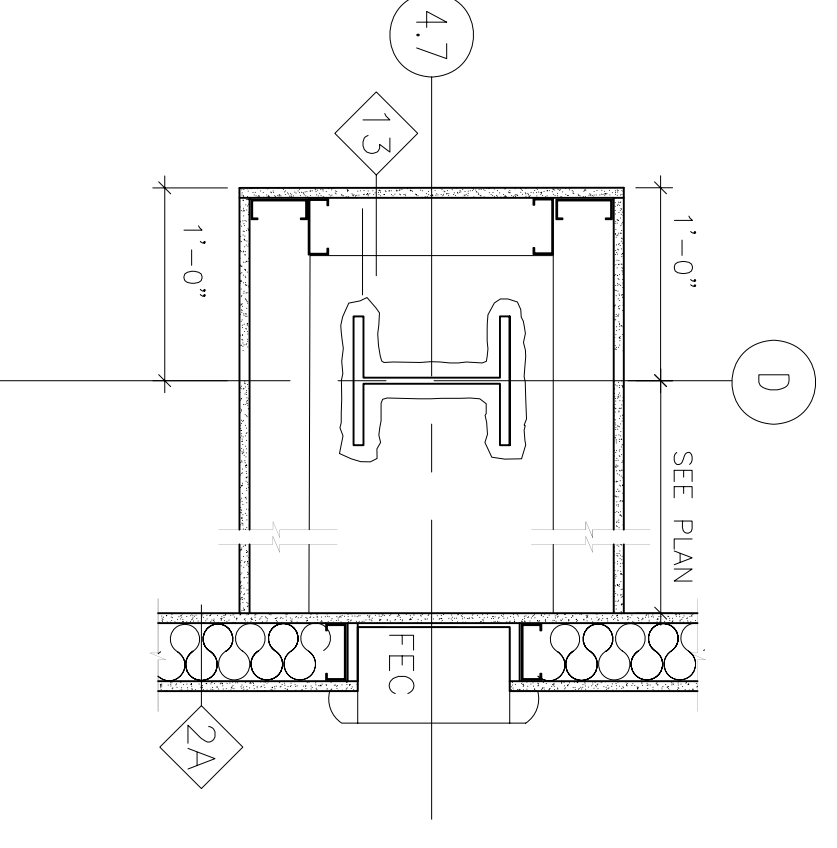
S18 COLUMN DETAIL @ G4
 SCALE 1 1/2"=1'-0"



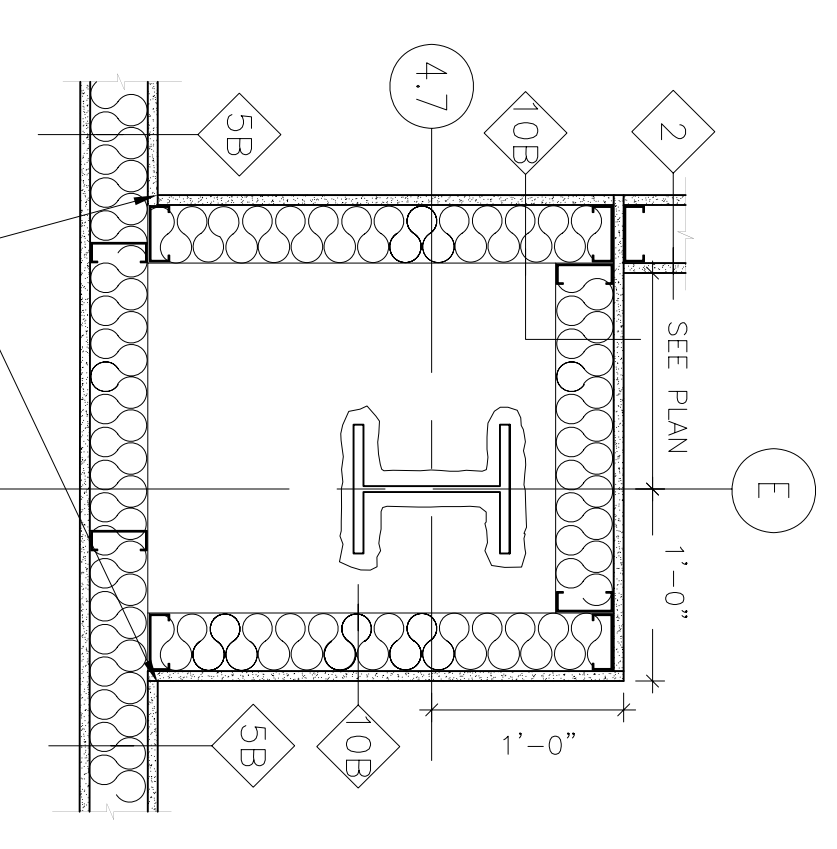
S19 COLUMN DETAIL @ B4.7
 SCALE 1 1/2"=1'-0"



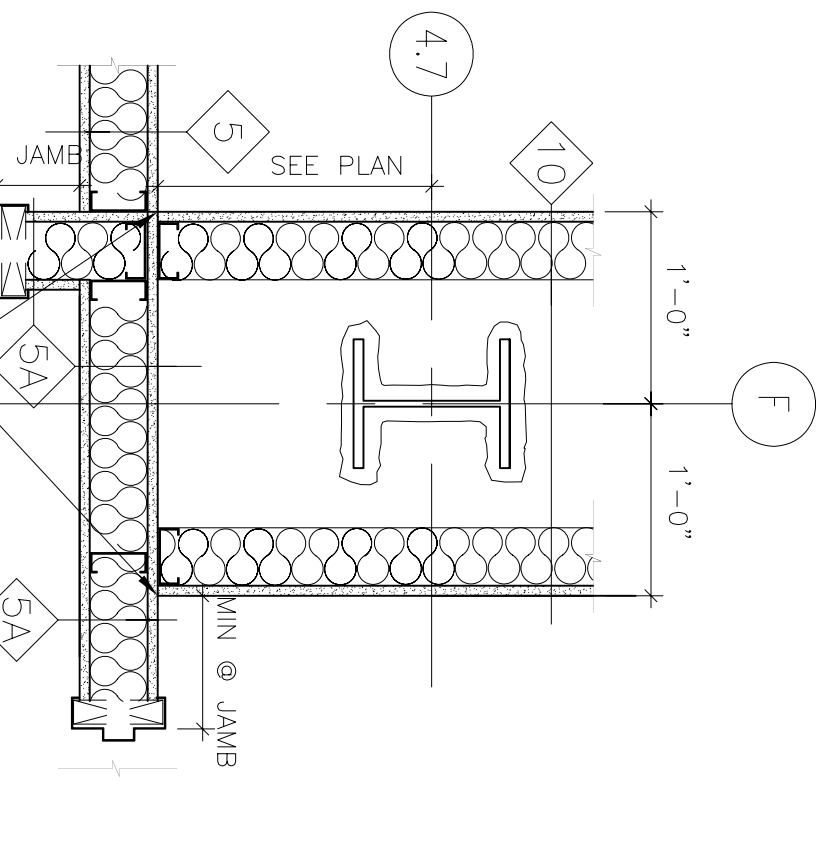
S20 COLUMN DETAIL @ C4.7
 SCALE 1 1/2"=1'-0"



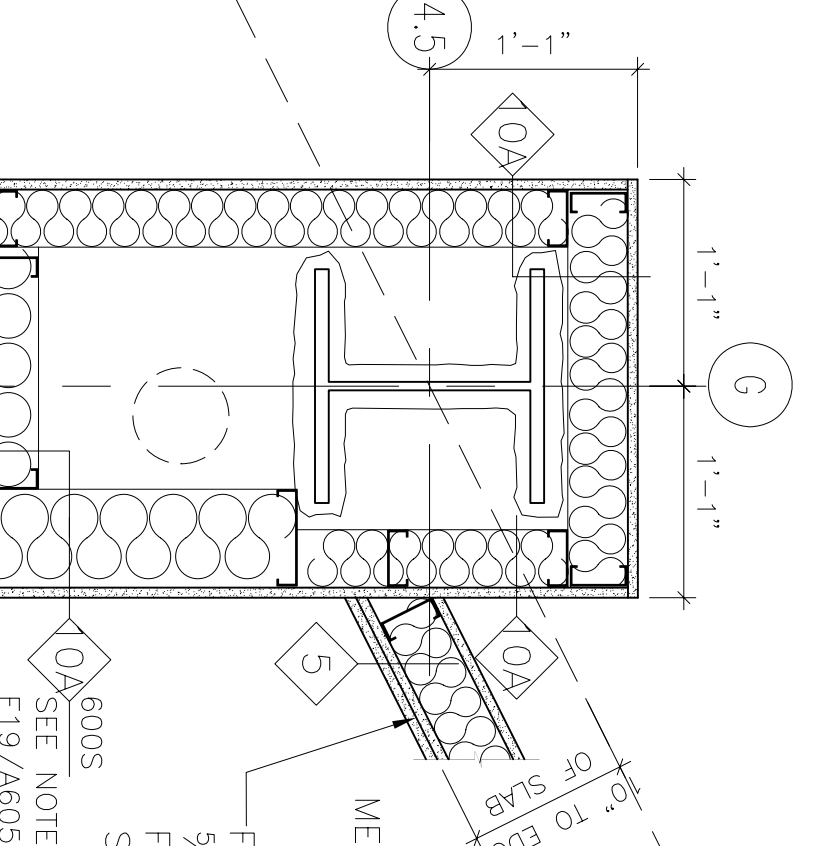
S21 COLUMN DETAIL @ D4.7
 SCALE 1 1/2"=1'-0"



S22 COLUMN DETAIL @ E4.7
 SCALE 1 1/2"=1'-0"



S23 COLUMN DETAIL @ F4.7
 SCALE 1 1/2"=1'-0"



S24 COLUMN DETAIL @ G4.5
 SCALE 1 1/2"=1'-0"

CONSTRUCT INTERIOR PARTITION AT FACE OF WALL ABOVE. EXTEND 1 LAYER OF 3/8" GWB PAST FLOOR OF STRUCTURE TO FORM CONTINUOUS SURFACE AT JOINT WITH SUSPENDED GWB CLG IN CHABEL BELOW.

FINISH J.T. FOR CONTINUOUS RATED SMOKE PARTITION
 FINISH J.T. FOR CONTINUOUS SMOKE BARRIER
 FINISH J.T. FOR CONTINUOUS RATED SMOKE PARTITION
 FINISH J.T. FOR CONTINUOUS RATED SMOKE BARRIER
 CONSTRUCT INTERIOR PARTITION AT FACE OF WALL ABOVE. EXTEND 1 LAYER OF 3/8" GWB PAST FLOOR OF STRUCTURE TO FORM CONTINUOUS SURFACE AT JOINT WITH SUSPENDED GWB CLG IN CHABEL BELOW.
 SEE NOTE F19/A6055