

Consultant
DRUMMOND
 DRUMMOND
 PETERSON-HOFFMAN Associates, Inc.
 726 Main Street, Suite 816
 Philadelphia, PA 19103
 Phone: (207) 775-1211
 Fax: (207) 879-0988

Consultant
ASSOCIATE ARCHITECT/STRUCTURAL ENGINEER
 SMART
 1000 North Street, P.O. Box 618
 Philadelphia, PA 19104
 Phone: (207) 772-3846
 Fax: (207) 772-1070

Consultant
MECHANICAL/ELECTRICAL ENGINEER
 BOB BOON + ASSOCIATES Consulting Engineers, LLC
 311 Arsenal Street, 3rd Floor
 Philadelphia, PA 19106
 Phone: (215) 562-8289
 Fax: (215) 562-8289

Consultant
EQUIPMENT PLANNING
 MCKAY
 1893 General George Patton Blvd
 Franklin, Tennessee 37067
 Phone: (615) 376-3114
 Fax: (615) 376-3114

Consultant
CONSTRUCTION MANAGER
 MCM
 7 Johnson Walkway
 Princeton, NJ 08540
 Phone: (609) 456-8906
 Fax: (609) 456-5516

Consultant
Interior
 Innon Foundation, LLC
 1808 West End Ave, Suite 1400
 Philadelphia, PA 19103
 Phone: (610) 321-5591
 Fax: (610) 321-5689

Manager/General Contractor and all other trades
 The responsibility of the Construction Manager/General Contractor and all other trades shall be to coordinate and accept conditions of prior work by related trades before proceeding with any work.

Date
 11/10/06 FINAL - ISSUE FOR BID
 Drawn By
 MAF/JLL/CLB/CLJ
 Scale
 AS NOTED

Francis

Caufman

Foley

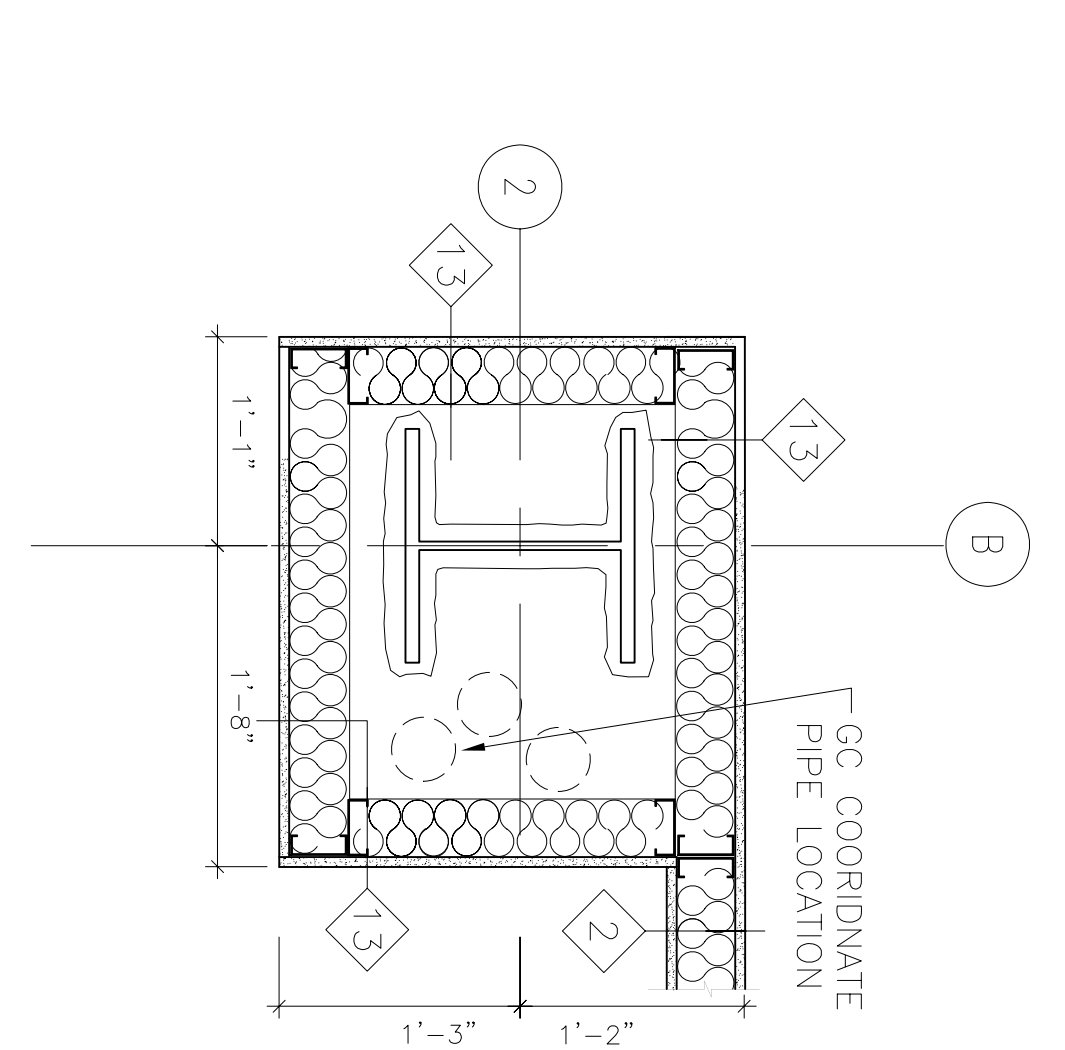
Hoffmann

Project File
 Francis, Cauffman
 Foley Hoffmann
 Architects Ltd.
 2120 Arch Street
 Philadelphia, PA 19103
 215-568-8250

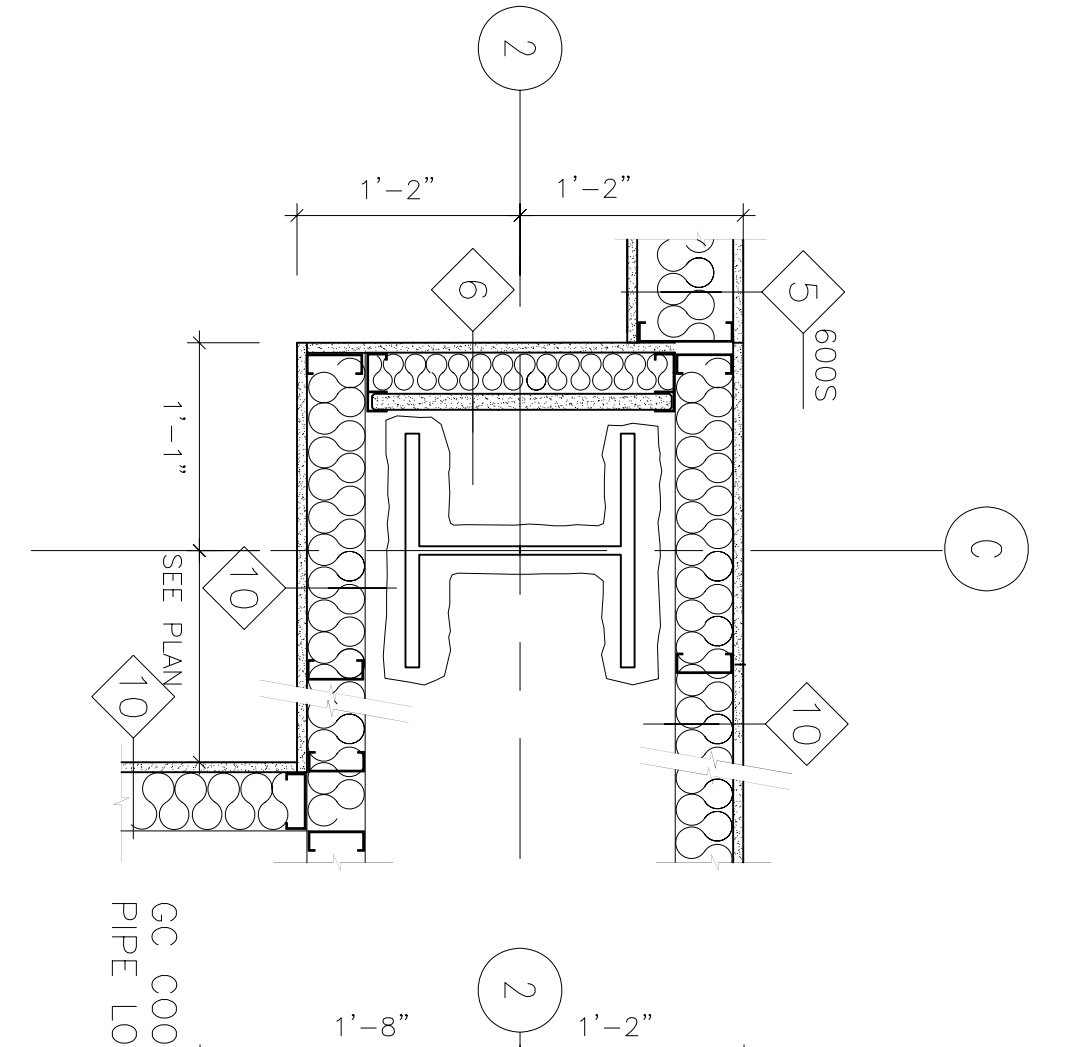
Mercy Health Core
 System of Maine
 FORE RIVER SHORT
 STAY HOSPITAL



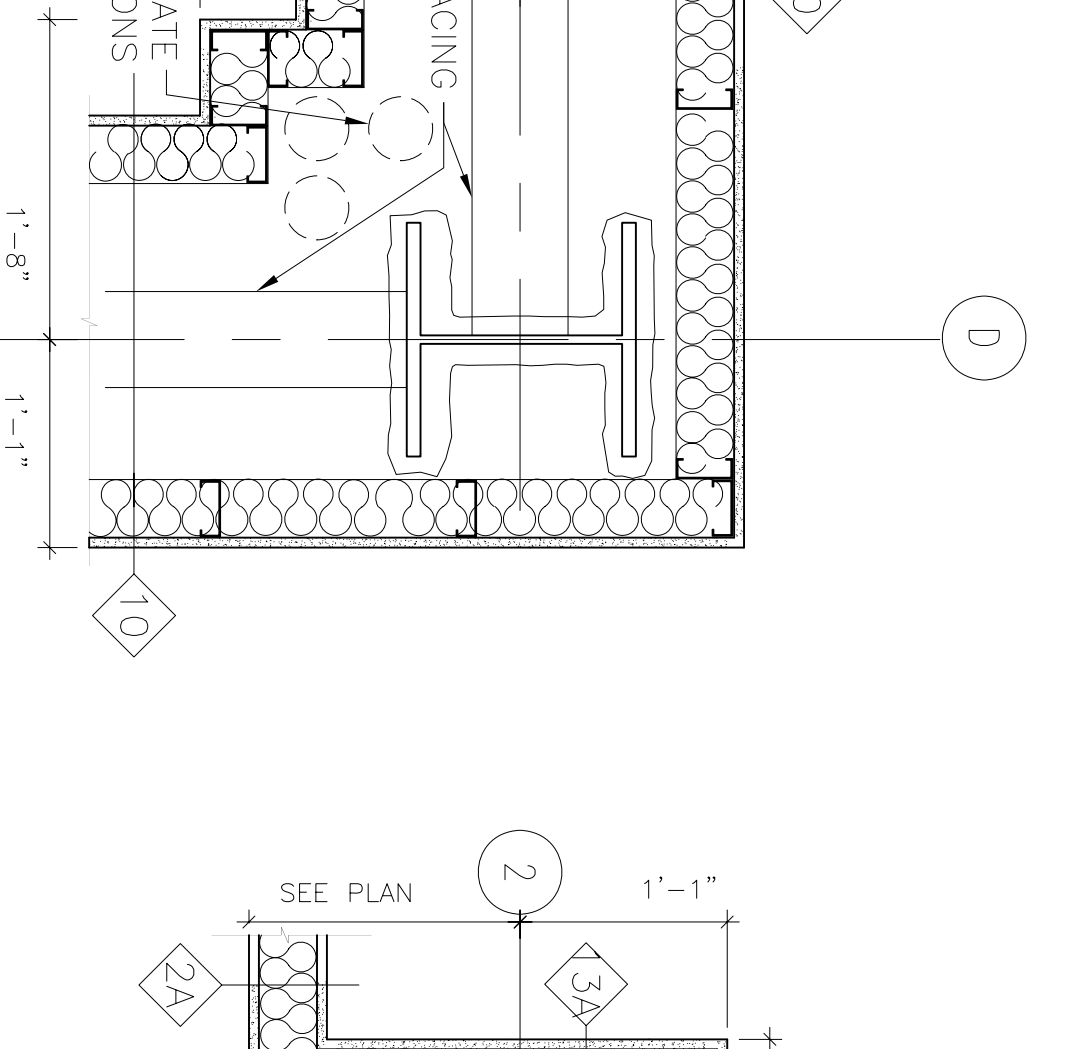
Project Number
 F05-4898
 Drawing Title
 Column Details



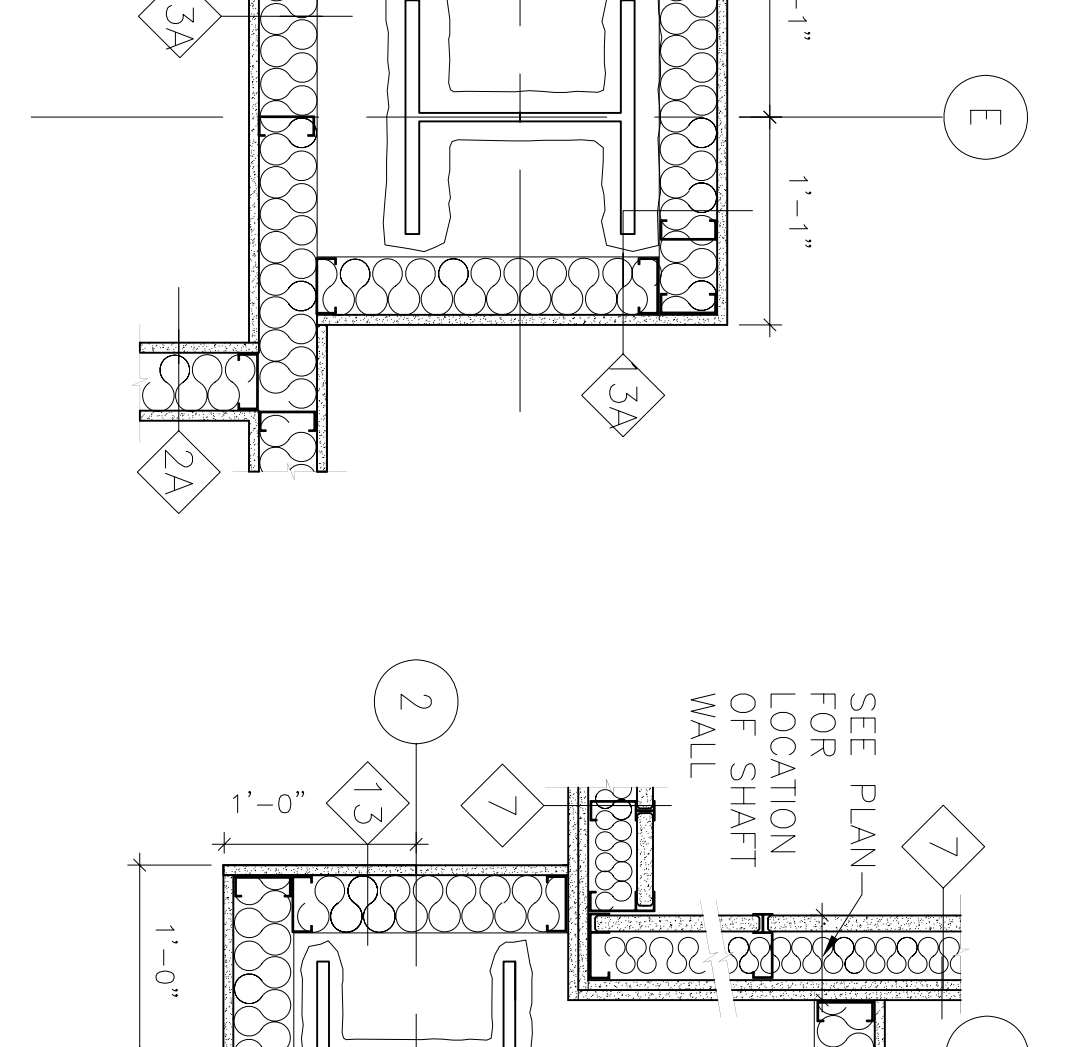
F01 COLUMN DETAIL @ B2
 SCALE 1 1/2"=1'-0"



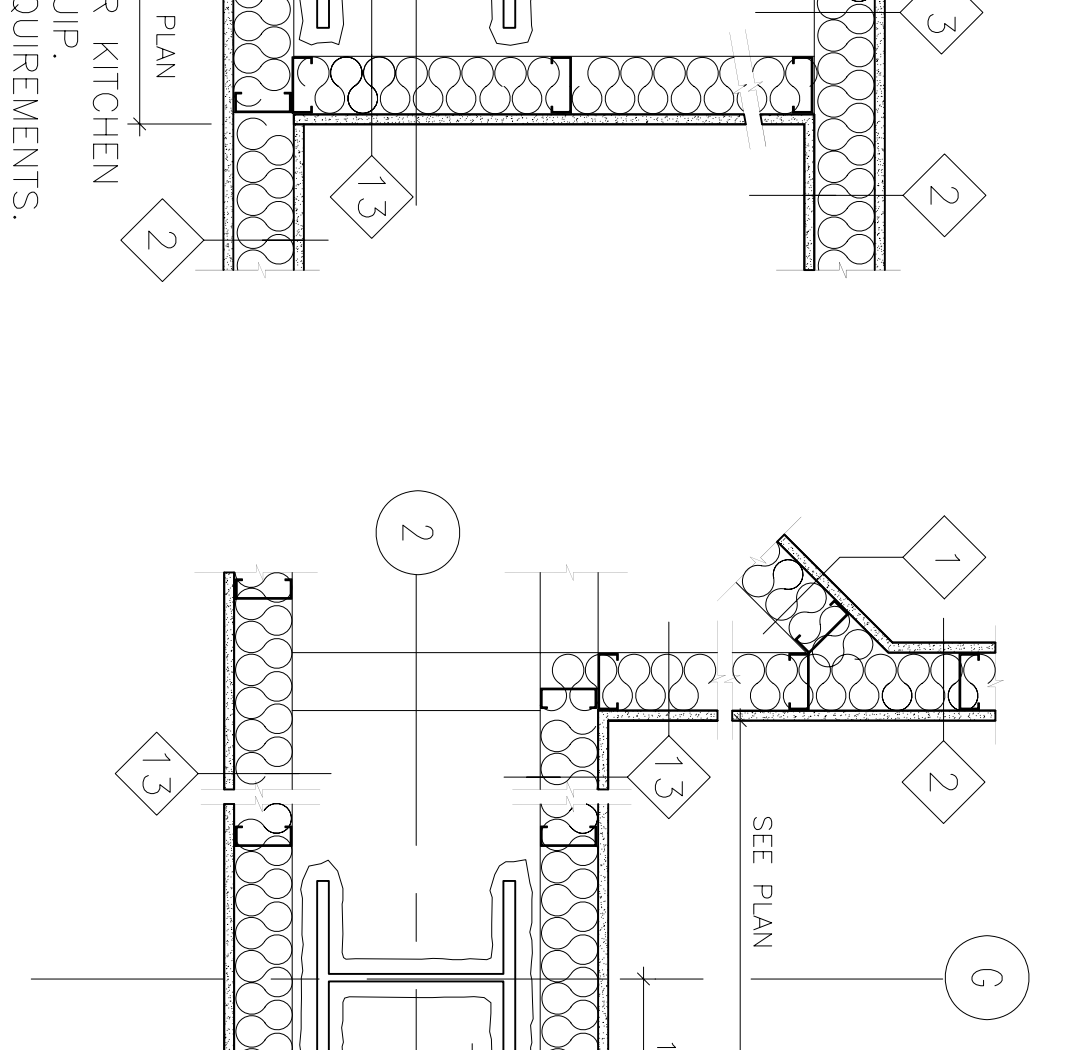
F02 COLUMN DETAIL @ C2
 SCALE 1 1/2"=1'-0"



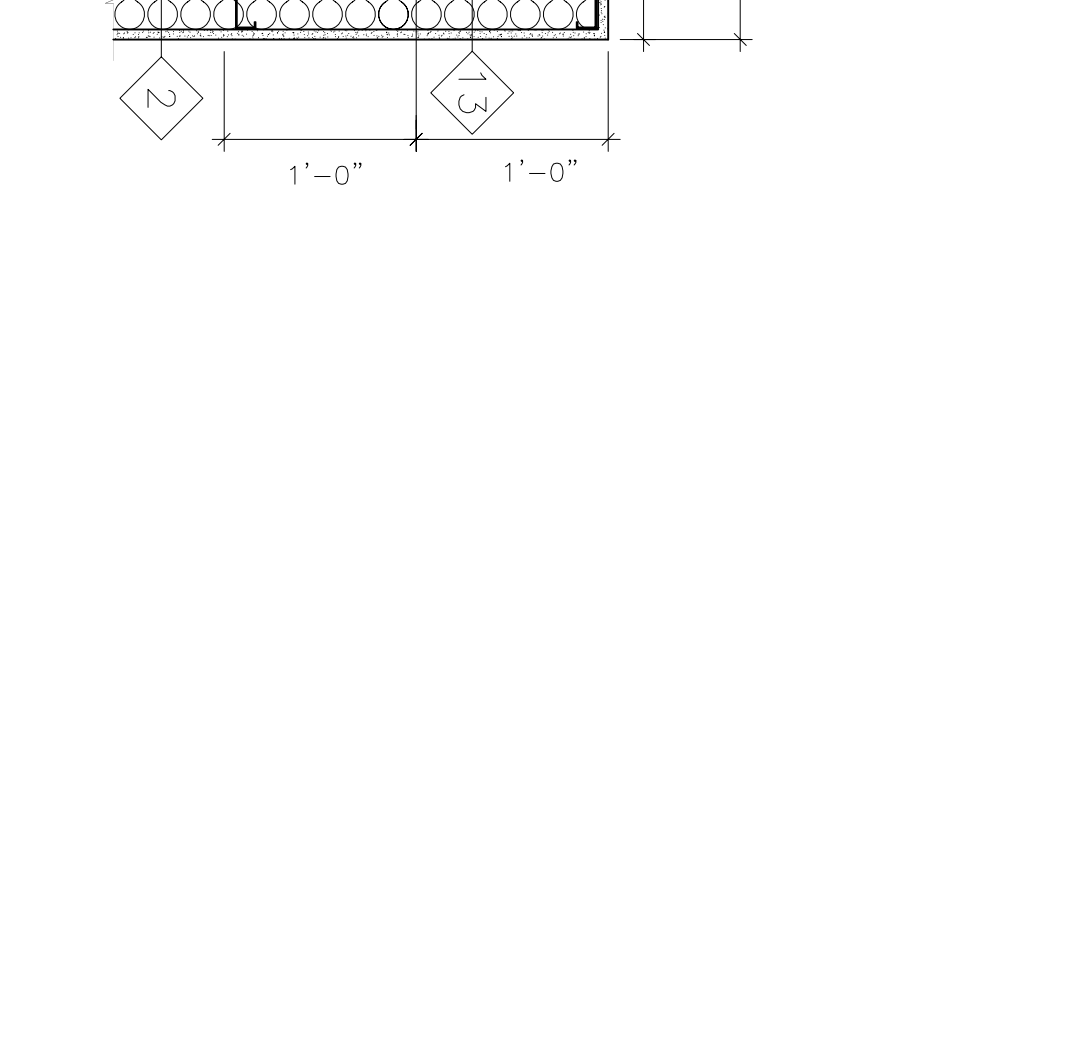
F03 COLUMN DETAIL @ D2
 SCALE 1 1/2"=1'-0"



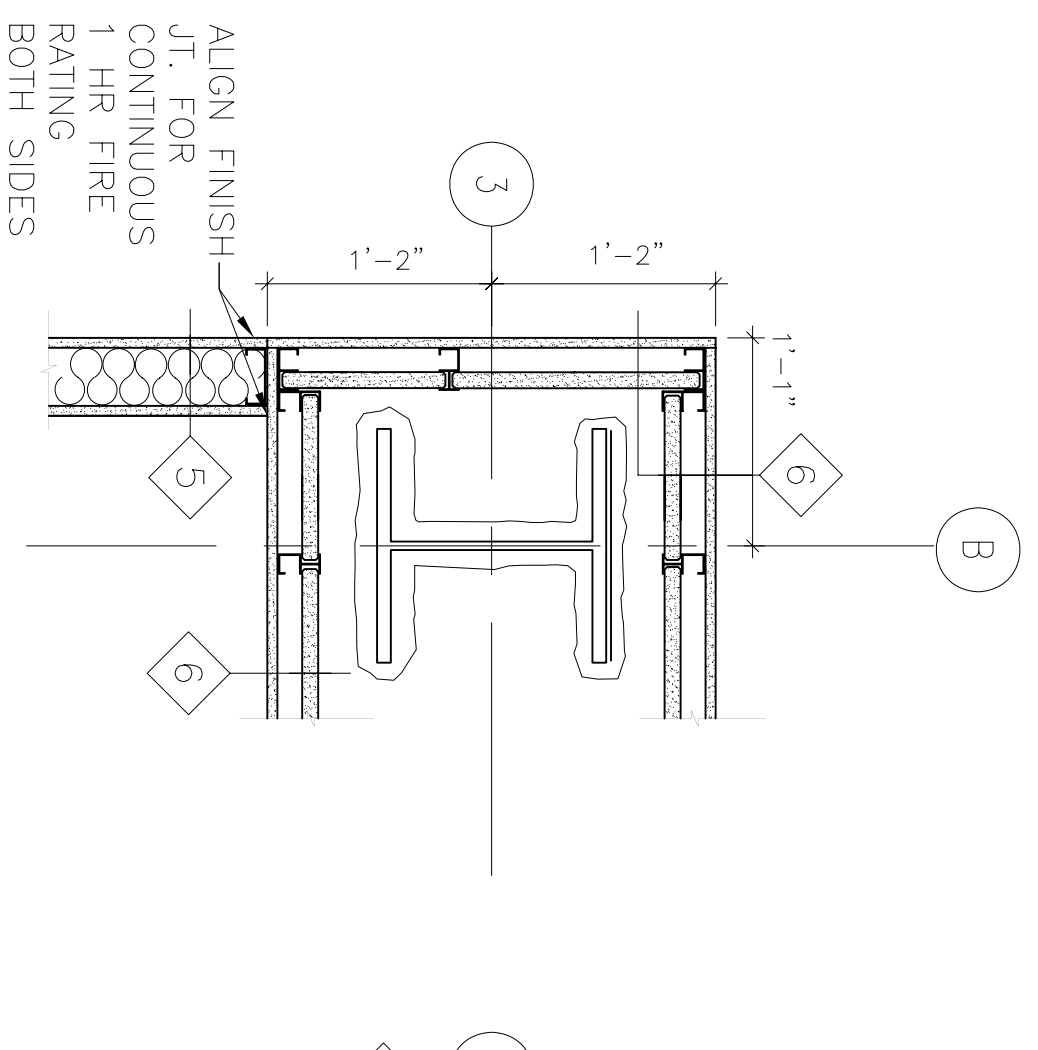
F04 COLUMN DETAIL @ E2
 SCALE 1 1/2"=1'-0"



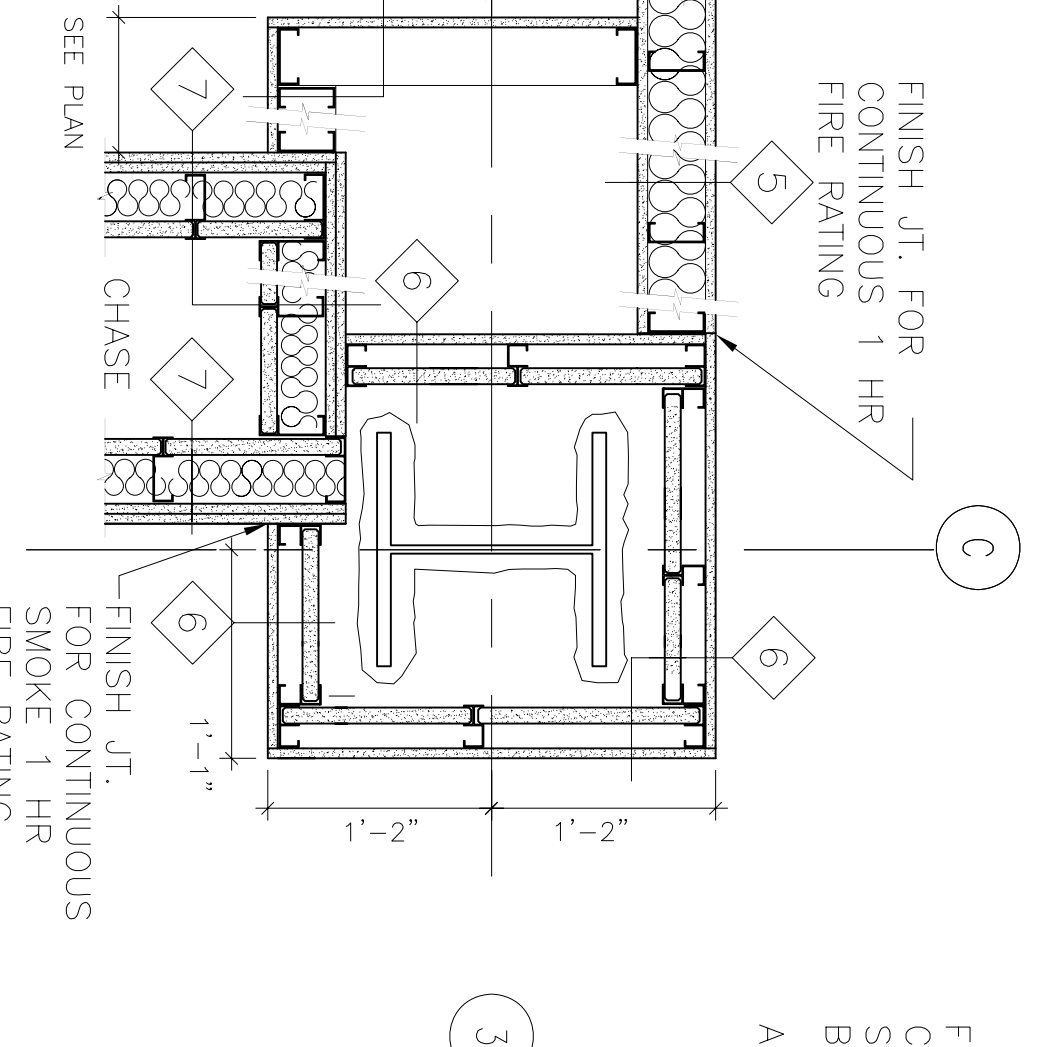
F05 COLUMN DETAIL @ F2
 SCALE 1 1/2"=1'-0"



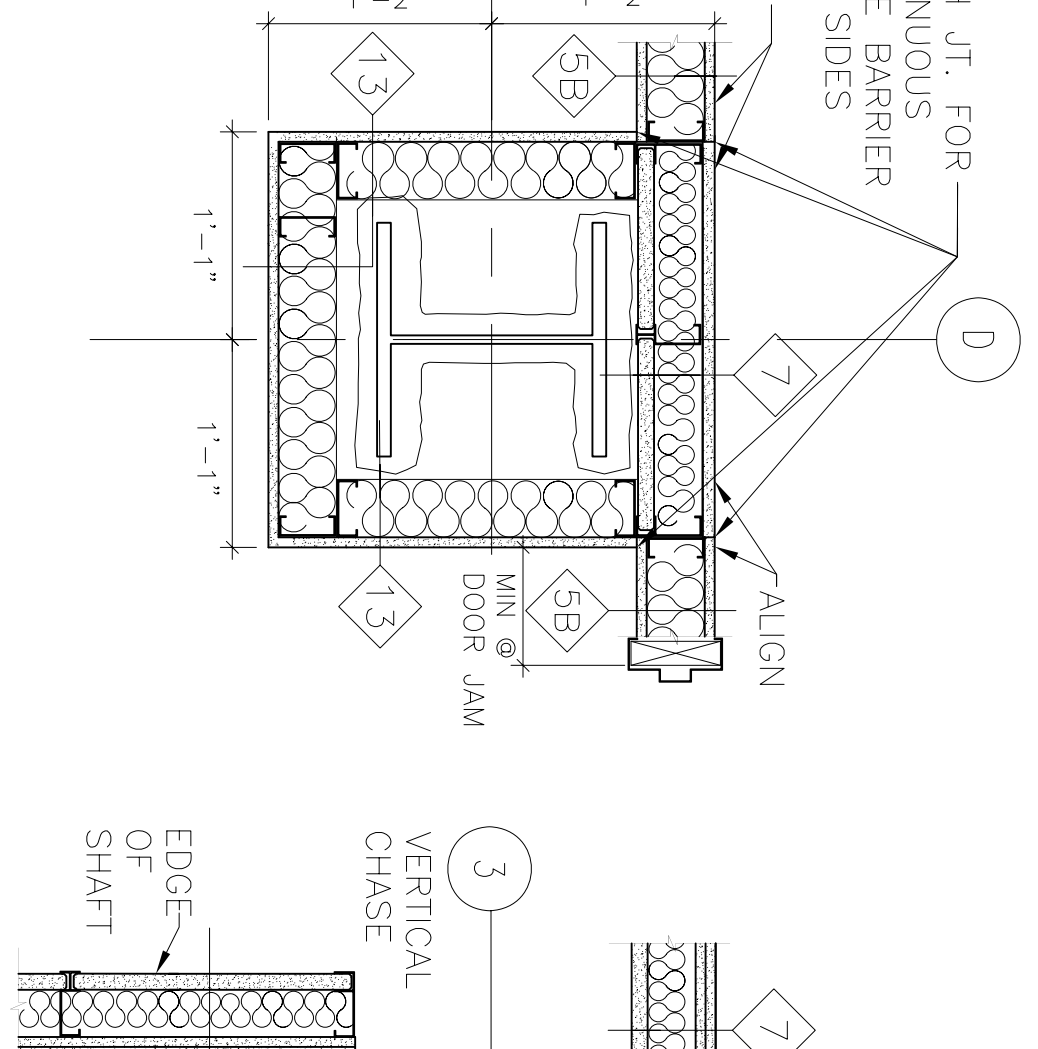
F06 COLUMN DETAIL @ G2
 SCALE 1 1/2"=1'-0"



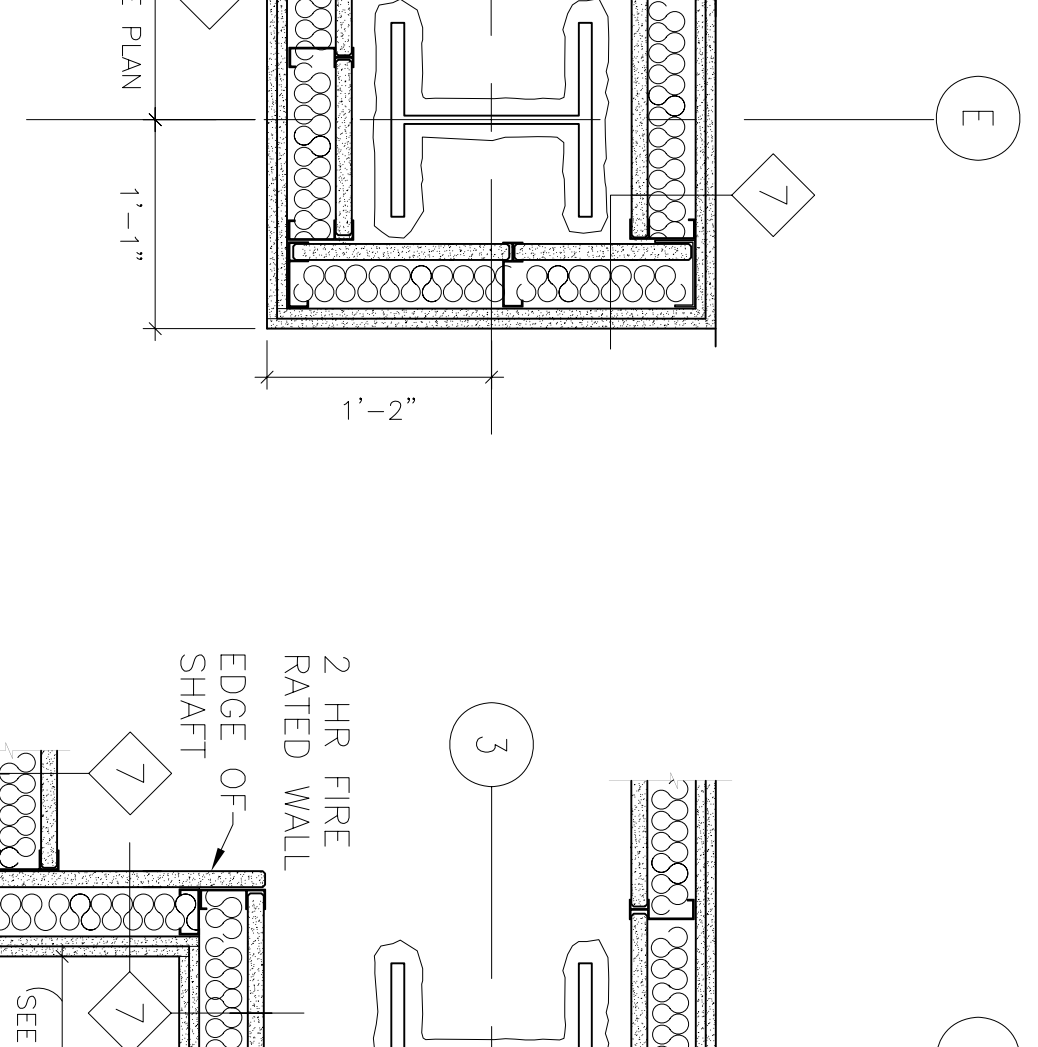
F07 COLUMN DETAIL @ B3
 SCALE 1 1/2"=1'-0"



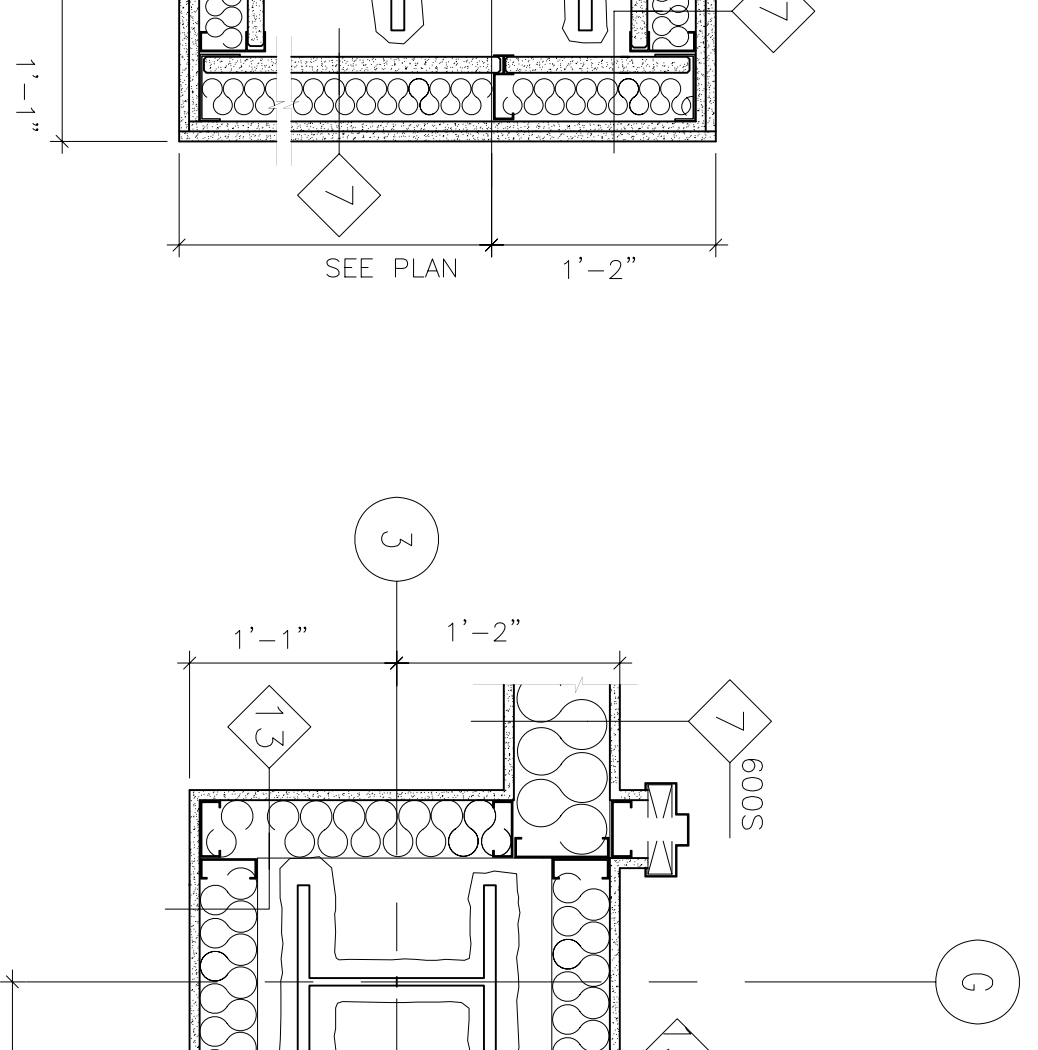
F08 COLUMN DETAIL @ C3
 SCALE 1 1/2"=1'-0"



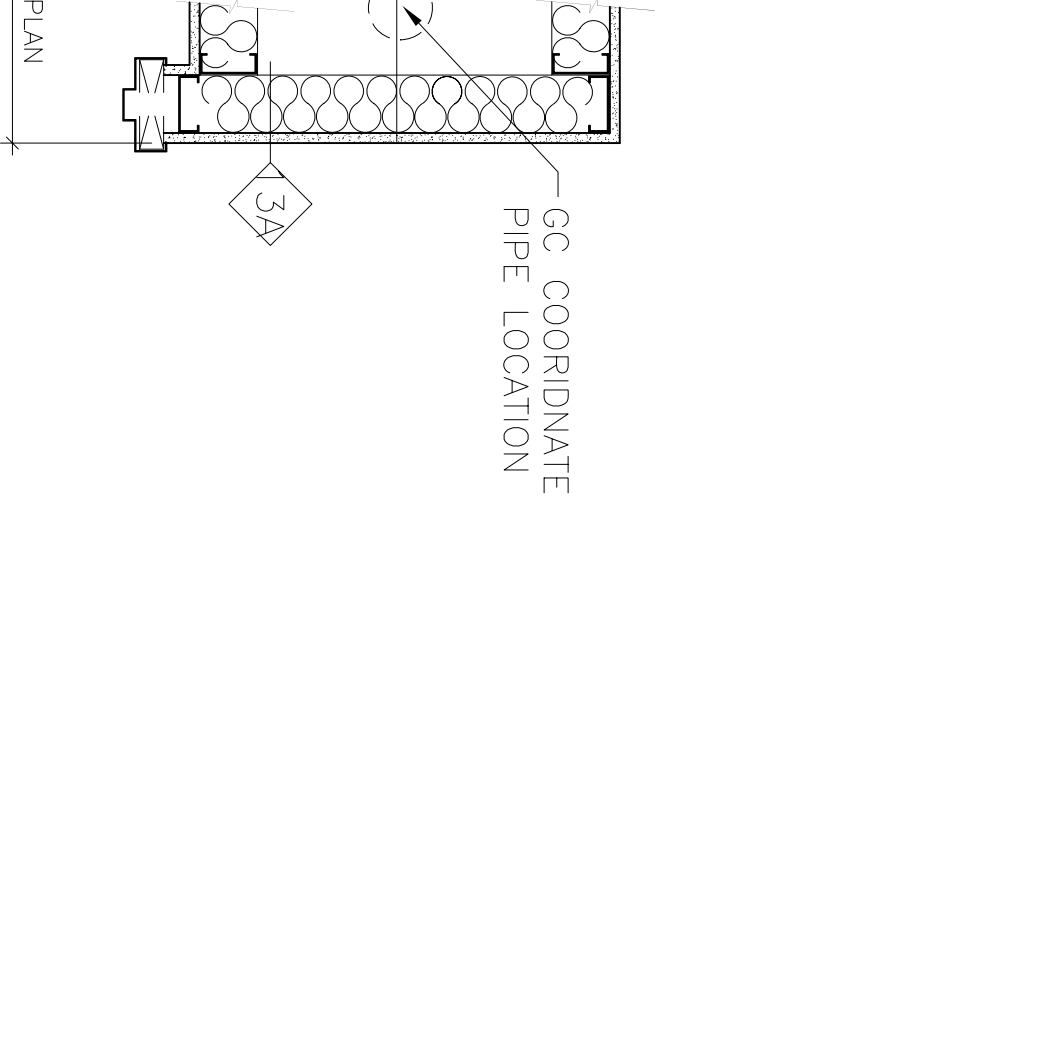
F09 COLUMN DETAIL @ D3
 SCALE 1 1/2"=1'-0"



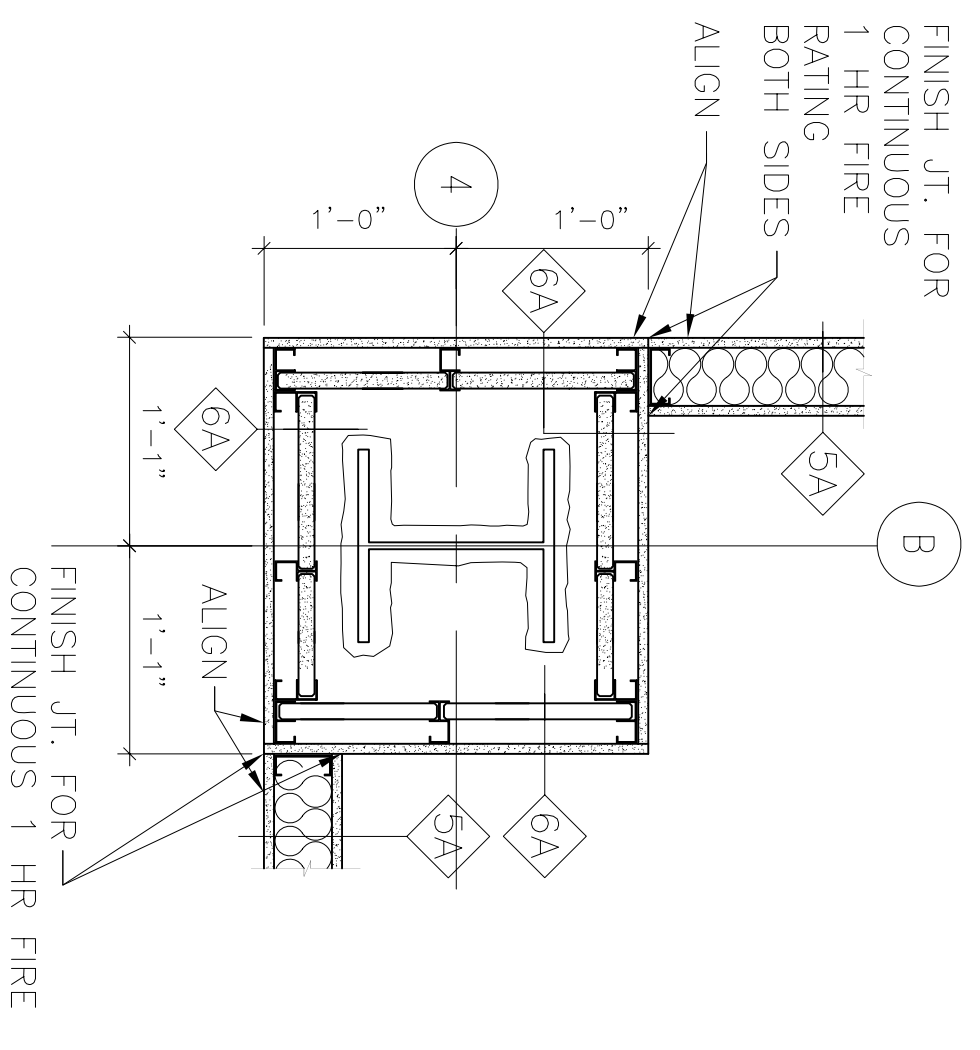
F10 COLUMN DETAIL @ E3
 SCALE 1 1/2"=1'-0"



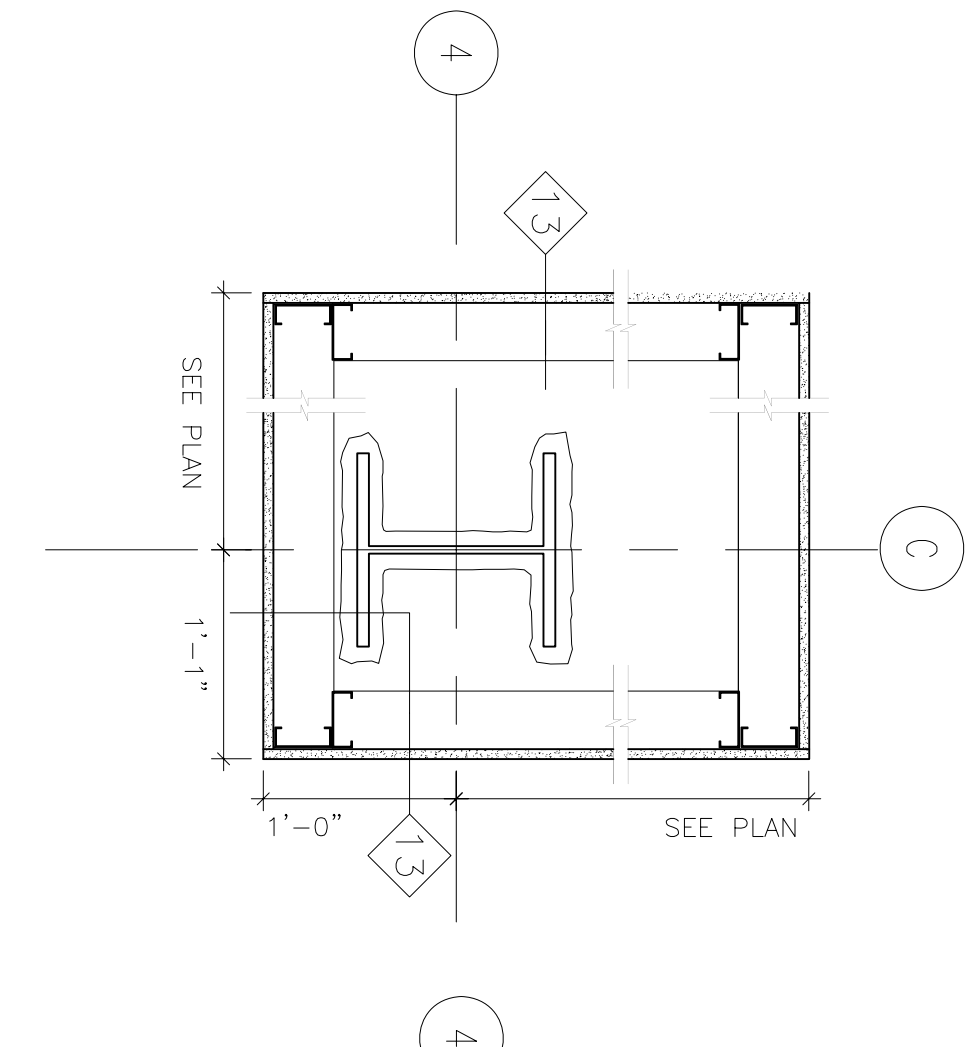
F11 COLUMN DETAIL @ F3
 SCALE 1 1/2"=1'-0"



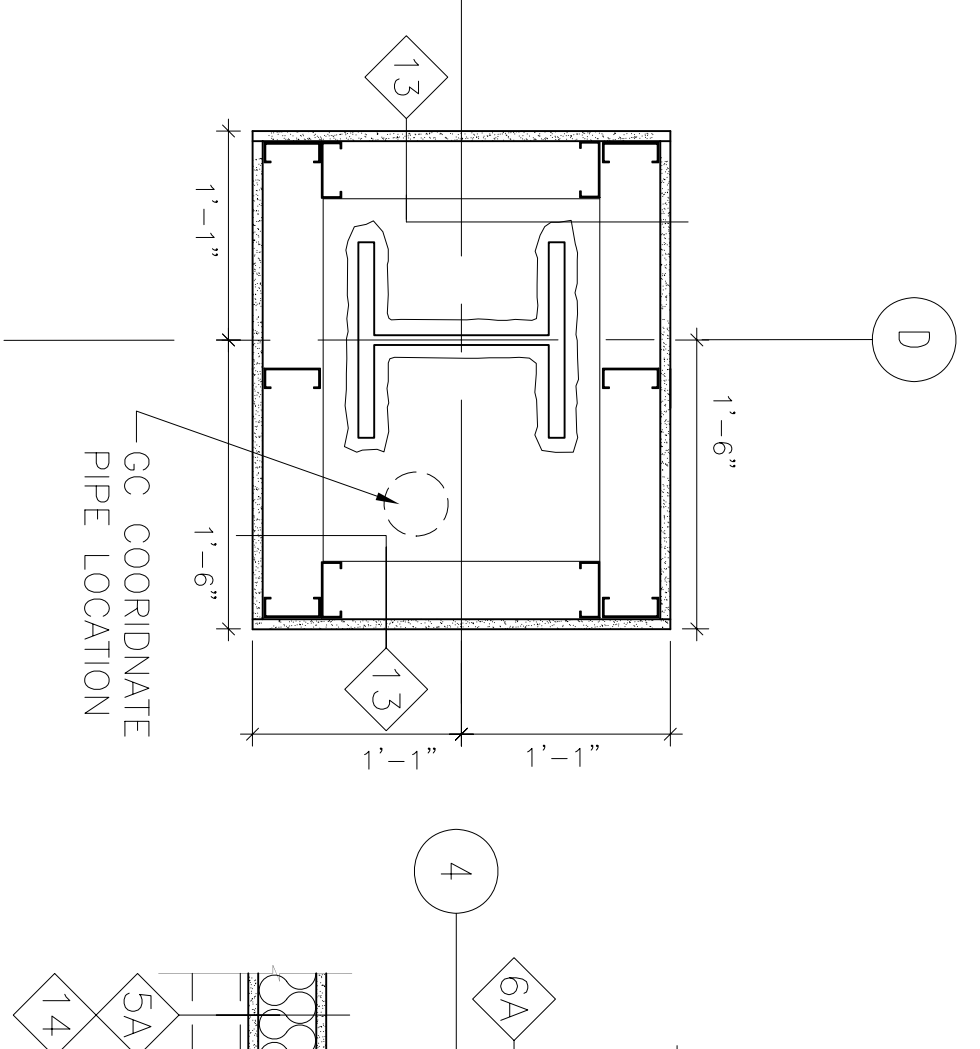
F12 COLUMN DETAIL @ G3
 SCALE 1 1/2"=1'-0"



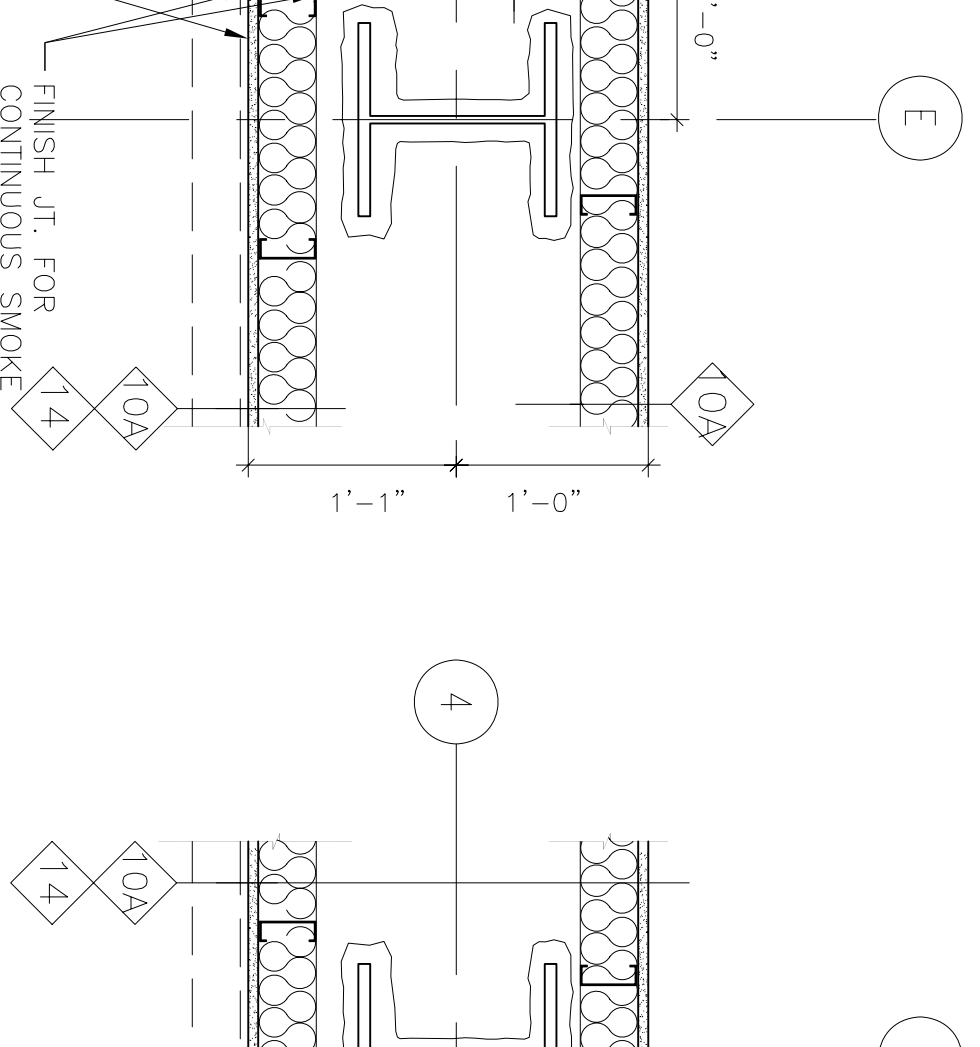
F13 COLUMN DETAIL @ B4
 SCALE 1 1/2"=1'-0"



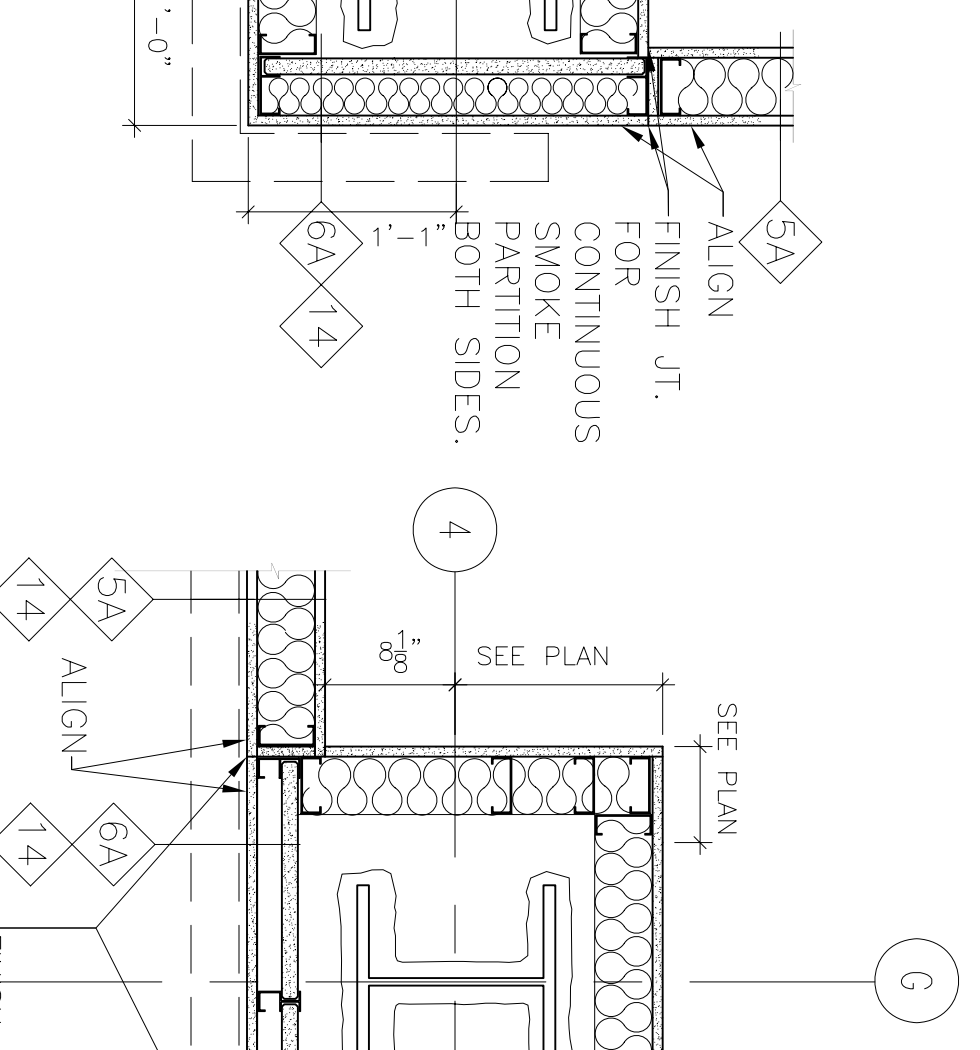
F14 COLUMN DETAIL @ C4
 SCALE 1 1/2"=1'-0"



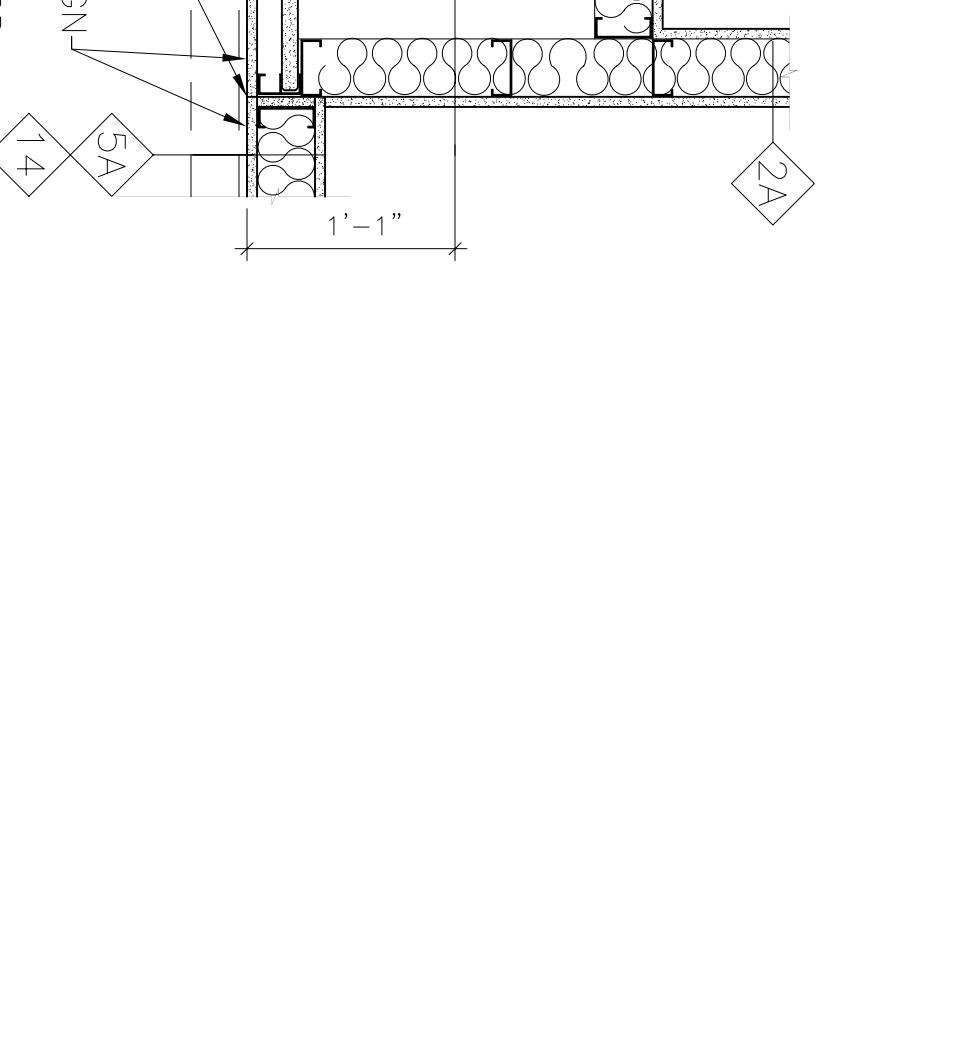
F15 SIMILAR COLUMN @ D4
 SCALE 1 1/2"=1'-0"



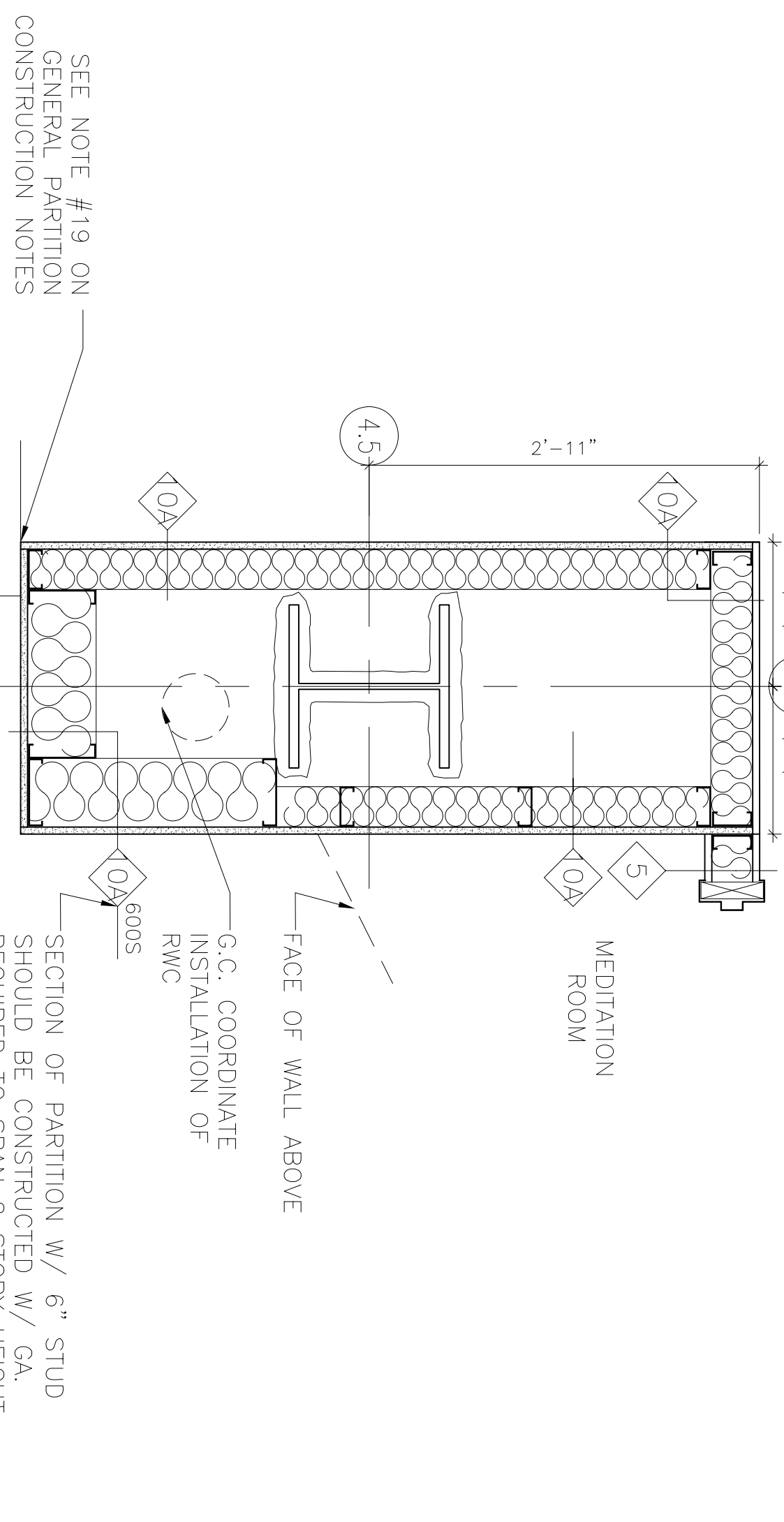
F16 COLUMN DETAIL @ E4
 SCALE 1 1/2"=1'-0"



F17 COLUMN DETAIL @ F4
 SCALE 1 1/2"=1'-0"



F18 COLUMN DETAIL @ G4
 SCALE 1 1/2"=1'-0"



F19 COLUMN DETAIL @ G4.5
 SCALE 1 1/2"=1'-0"

SEE NOTE #19 ON GENERAL PARTITION CONSTRUCTION NOTES