

Consultant
 Civil Engineer
 Pelucco-Hoffman Associates, Inc.
 726 Kohn Street, Suite 816
 St. Louis, MO 63101
 Phone: (207) 725-1121
 Fax: (207) 879-0988

Consultant
 ASSOCIATE ARCHITECT/STRUCTURE ENGINEER
 SMART Group P.O. Box 818
 Portland, Maine 04104
 Phone: (207) 772-3846
 Fax: (207) 772-1070

Consultant
 MECHANICAL/ELECTRICAL ENGINEER
 Bond, Ross + Aronow Consulting Engineers, LLC
 311 Arsenal Street
 Portland, ME 04102
 Phone: (207) 754-0017
 Fax: 6173243339

Consultant
 EQUIPMENT PLANNING
 Equipment Planning
 1893 General George Patton Drive
 Franklin, Tennessee 37067
 Phone: (615) 376-3114
 Fax: (615) 376-3114

Consultant
 CONSTRUCTION MANAGER
 Construction Manager
 7 Johnson Walkway
 Portland, ME 04102
 Phone: (401) 456-8905
 Fax: (401) 456-5516

Consultant
 Interior Designer
 Innon Foundation, LLC
 1808 West End Ave. Suite 1400
 Portland, ME 04102
 Phone: (615) 321-5591
 Fax: (615) 321-5689

1. The responsibility of the Construction Manager/General Contractor and all other parties shall be to ensure that the work is completed in accordance with the approved conditions of prior work by related trades before proceeding with any work.

Date
 11/10/06 FINAL - ISSUE FOR BID
 Drawn By
 MAF/JUL/CLB/CLJ
 Scale
 AS NOTED

Francis

Coffman

Foley

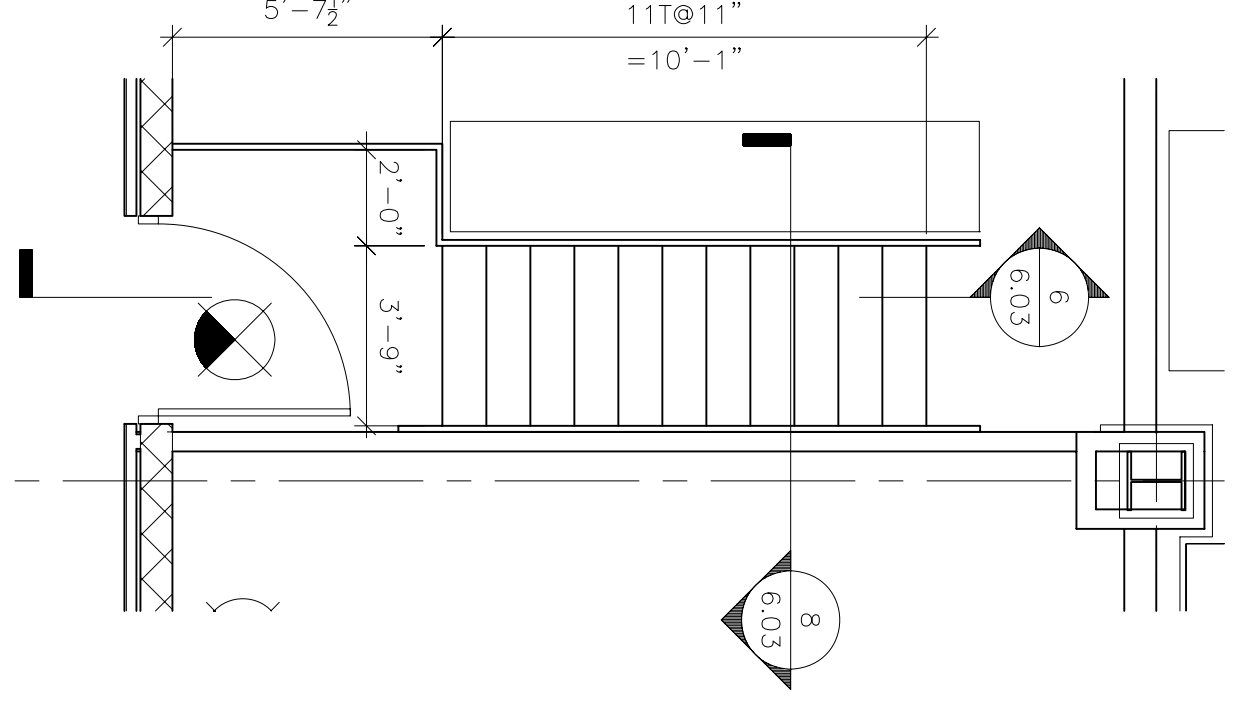
Hoffmann

Project File
 Francis, Coffman
 Foley Hoffmann
 Architects Ltd.
 2120 Ash Street
 Philadelphia, PA 19103
 215-568-8250

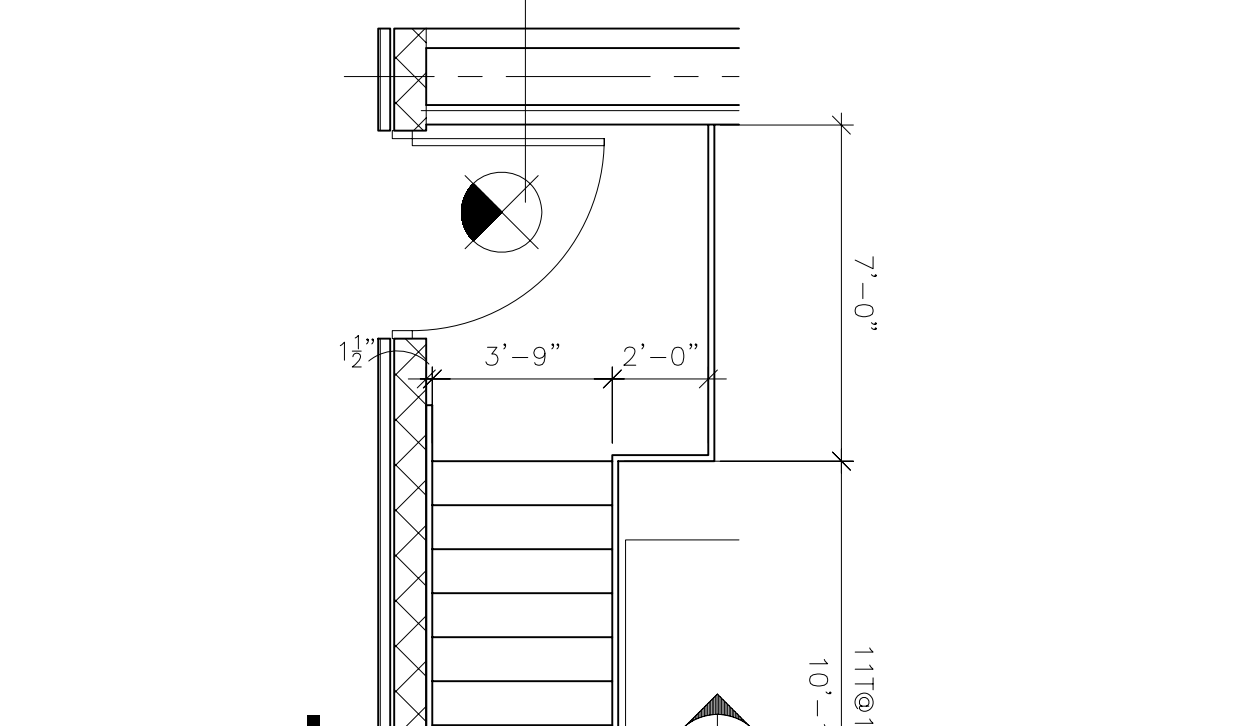
Mercy Health Core
 System of Moine
 FORE RIVER SHORT
 STAY HOSPITAL



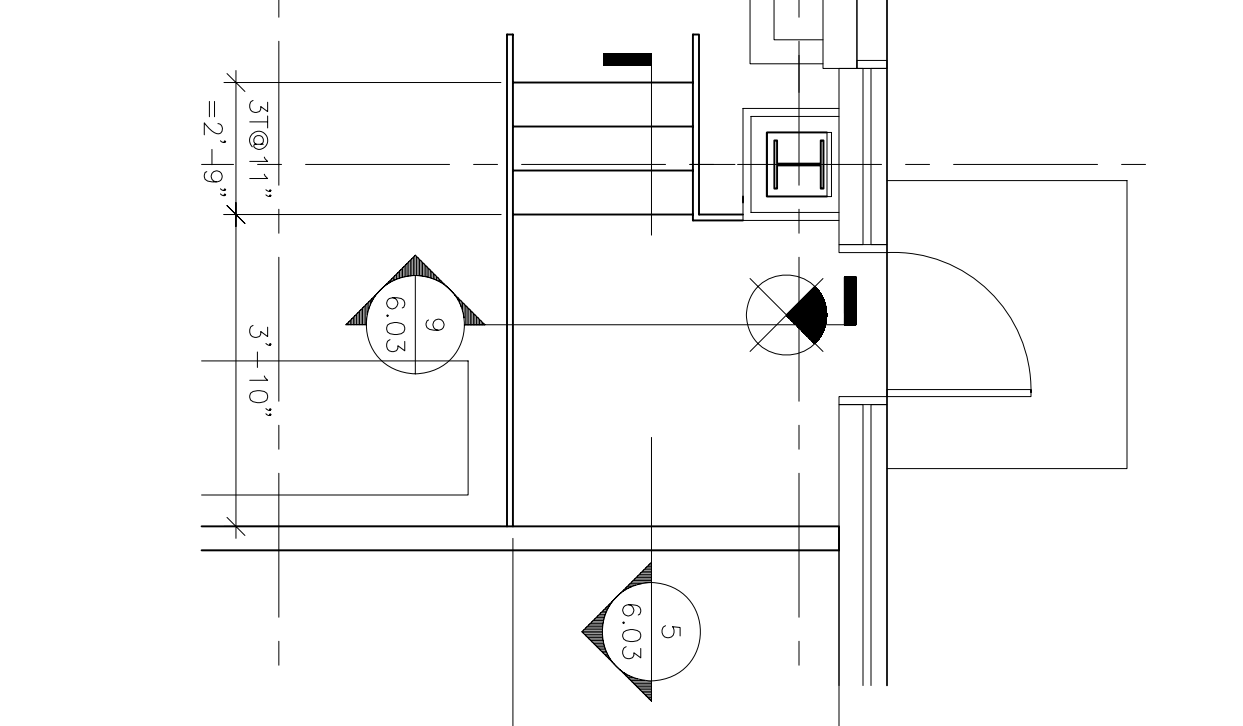
Project Number
 F05-4998
 Drawing Title and Number
 INTERIOR STAIR DETAILS



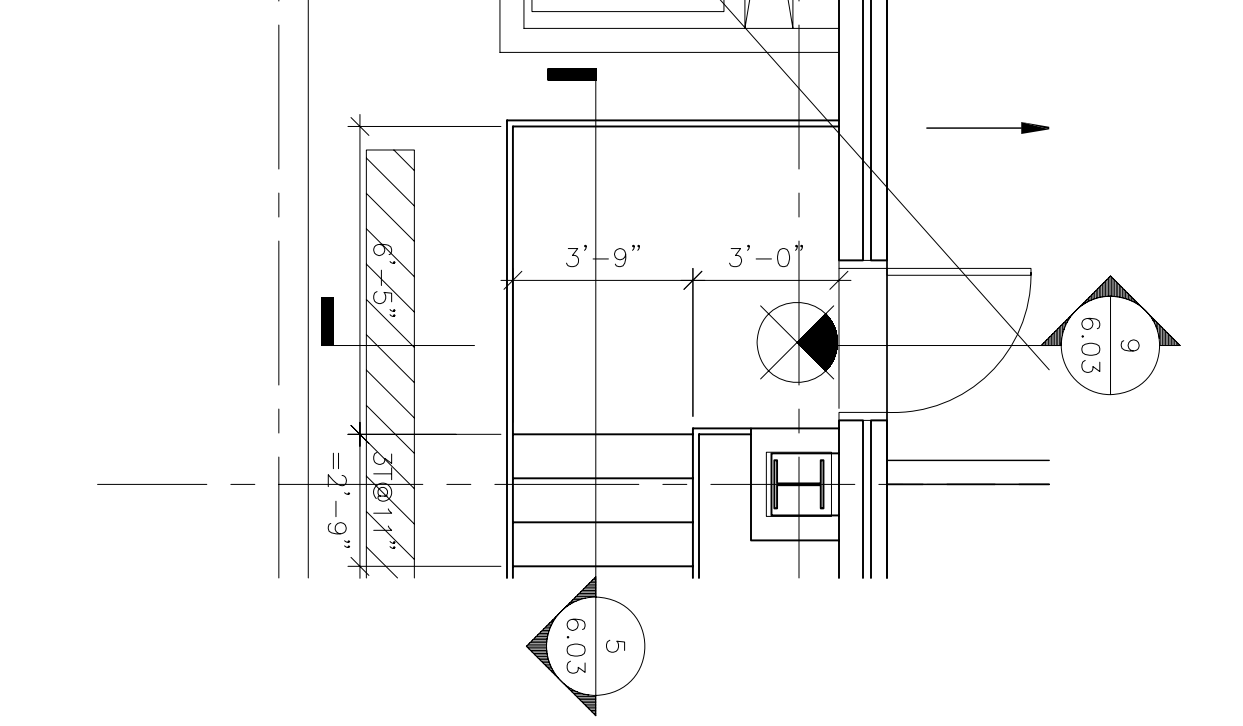
4 INTERIOR STAIR PLAN DETAIL
 1/4" = 1'-0"



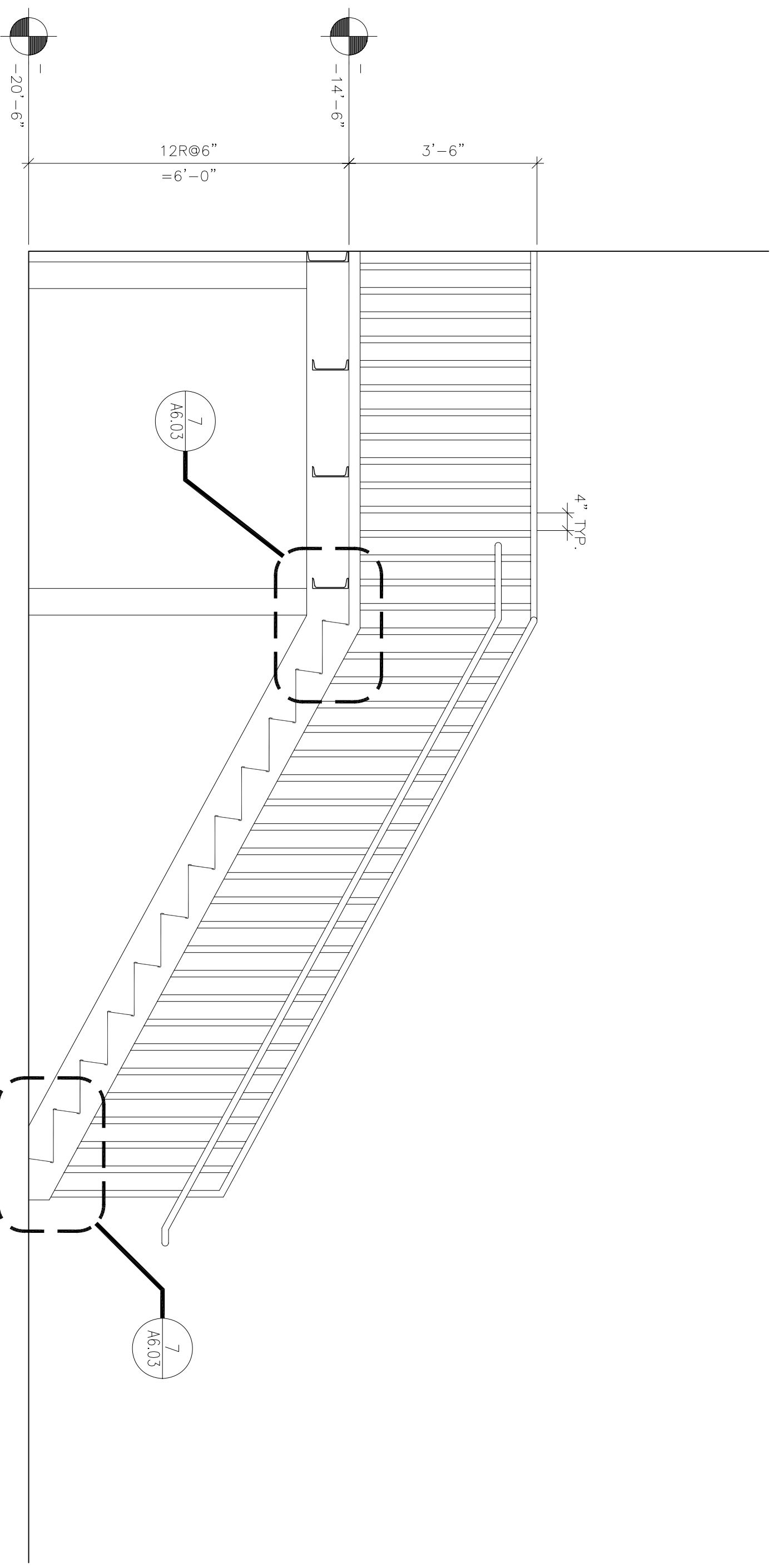
3 INTERIOR STAIR PLAN DETAIL
 1/4" = 1'-0"



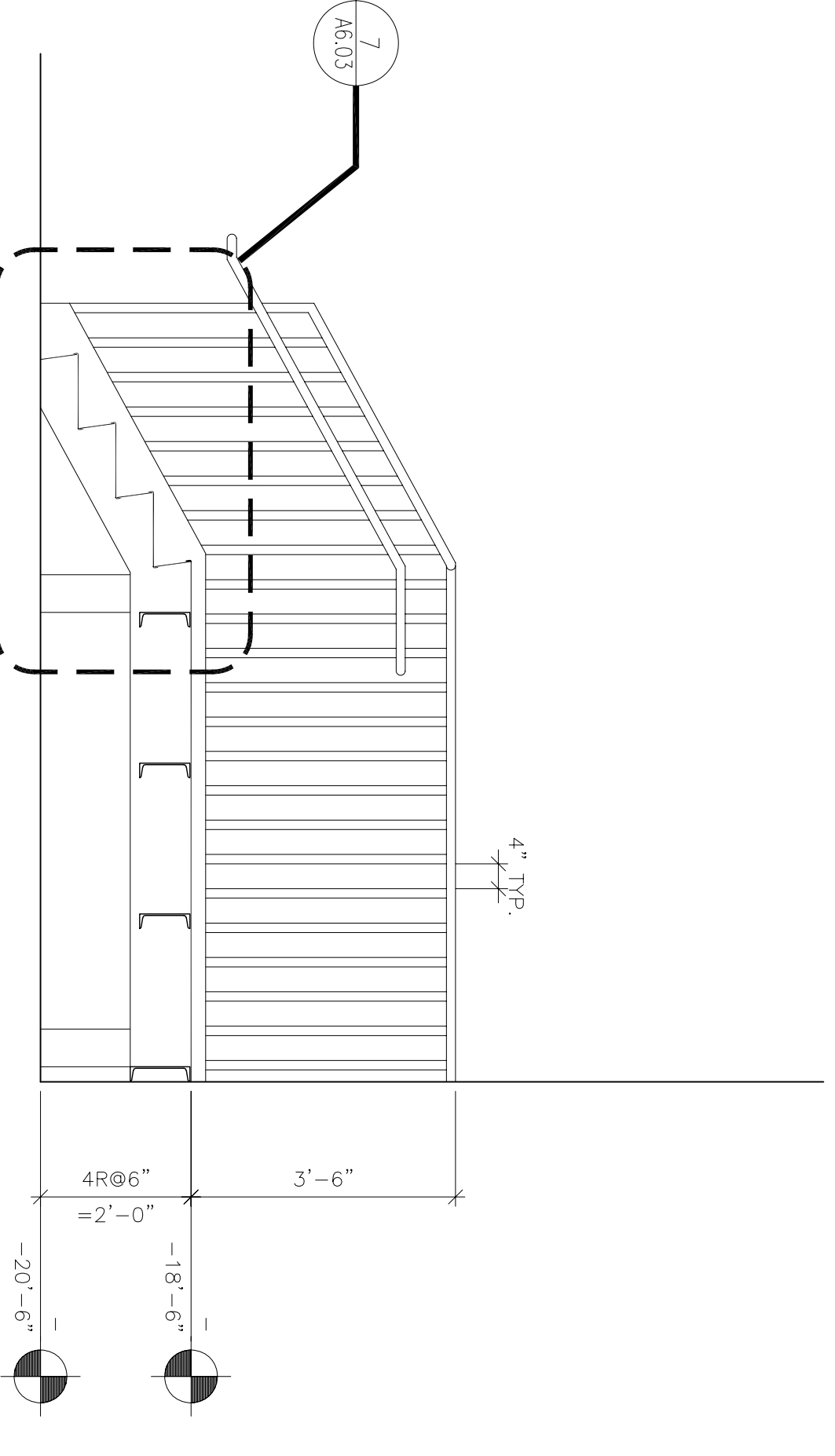
2 INTERIOR STAIR PLAN DETAIL
 1/4" = 1'-0"



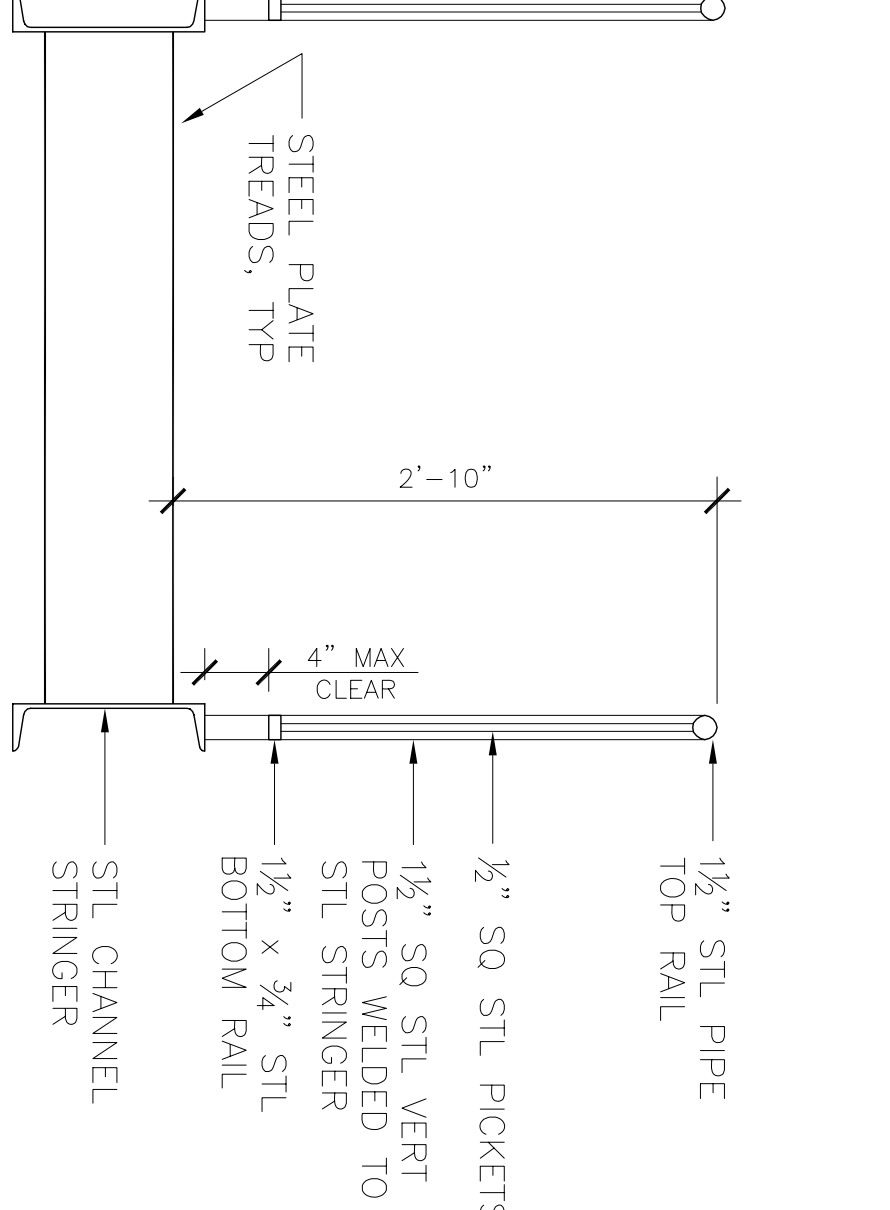
1 INTERIOR STAIR PLAN DETAIL
 1/4" = 1'-0"



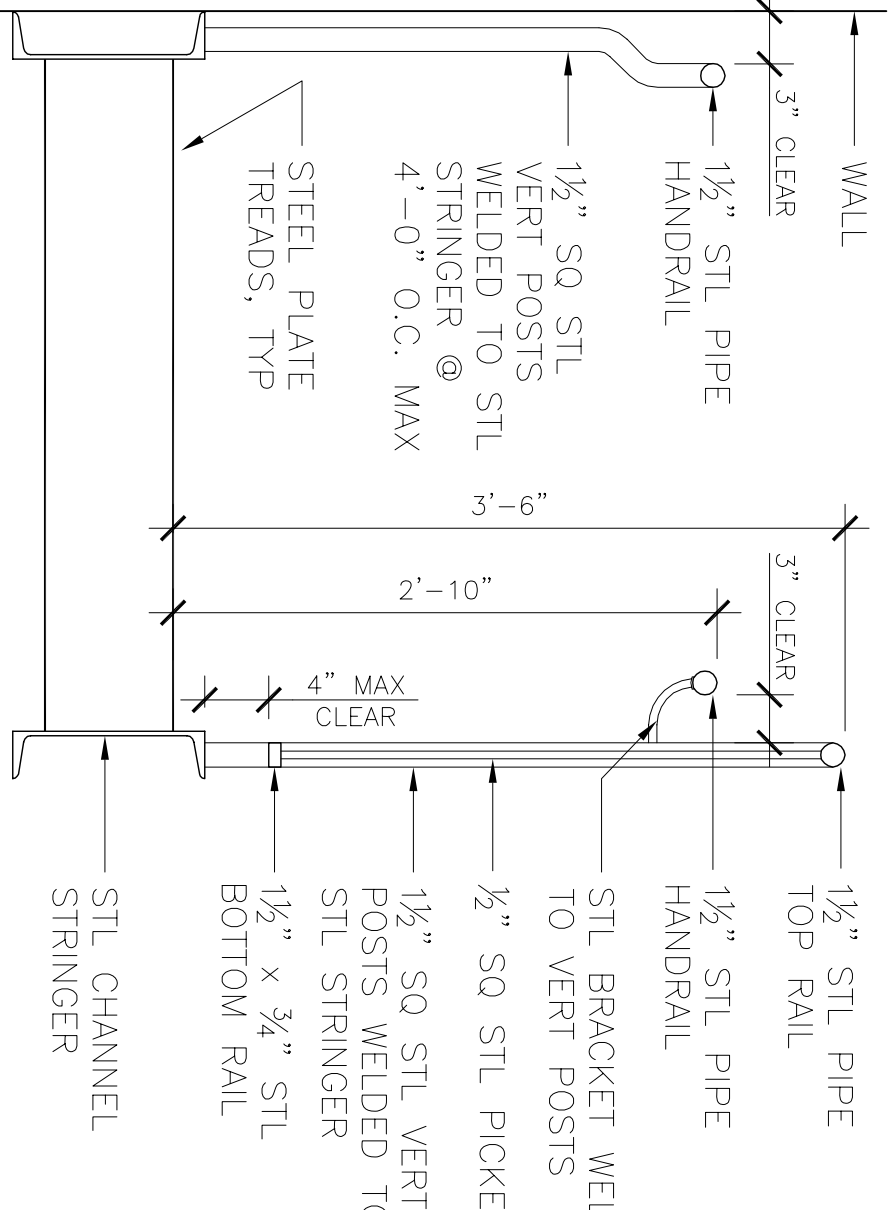
6 INTERIOR STAIR PLAN SECTION
 1/2" = 1'-0"



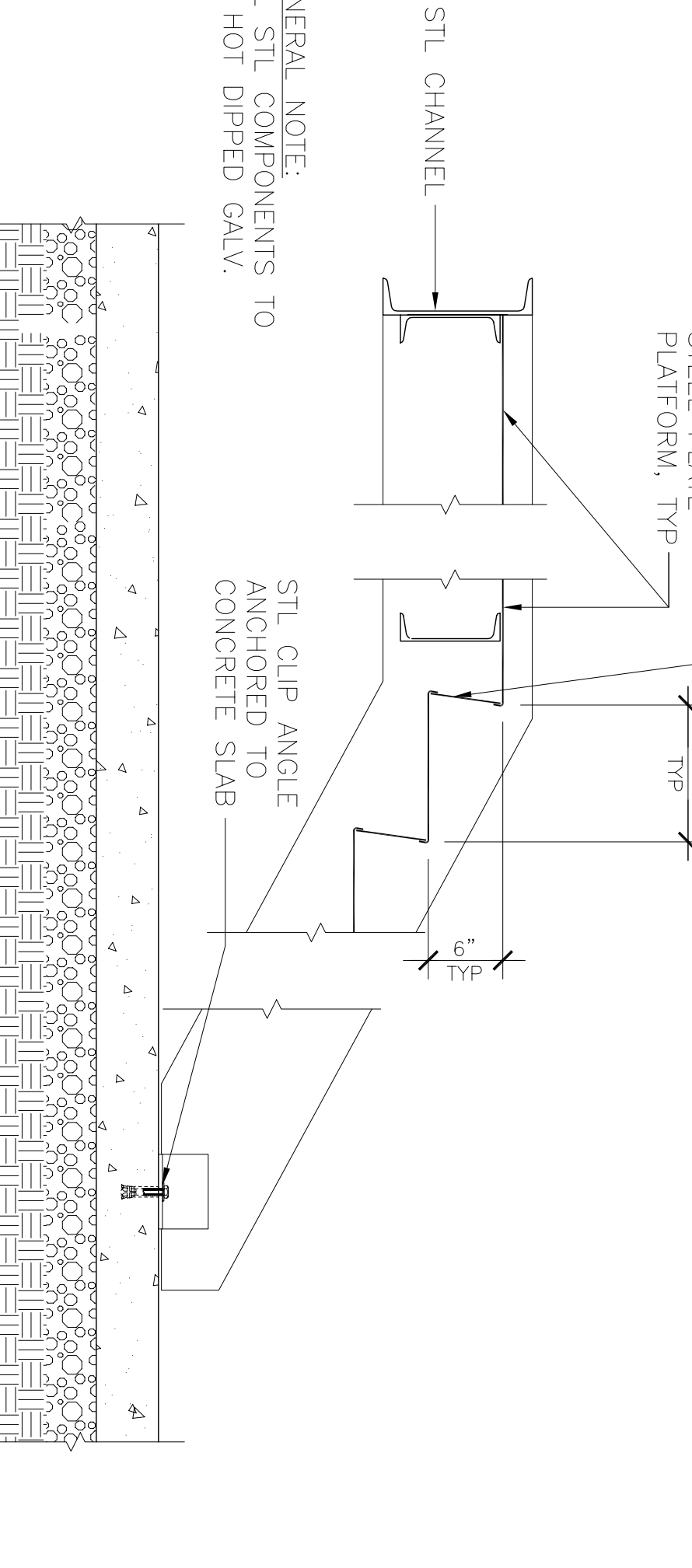
5 INTERIOR STAIR PLAN SECTION
 1/2" = 1'-0"



9 INTERIOR STAIR DETAIL
 1" = 1'-0"



8 INTERIOR STAIR DETAIL
 1" = 1'-0"



7 INTERIOR STAIR DETAIL
 1" = 1'-0"