

Consultant
 CIVIL ENGINEER
 SMART ENGINEERING Associates, Inc.
 278 Main Street, Suite 806
 Portland, ME 04102
 Phone: (207) 772-1121
 Fax: (207) 879-0896

Consultant
 MECHANICAL/ELECTRICAL ENGINEER
 BIRD, ROO & ARTHURS Consulting Engineers, LLC
 311 Arsenal Street
 Portland, ME 04102
 Phone: (207) 772-1121
 Fax: (207) 772-1070

Consultant
 EQUIPMENT PLANNING
 Long Burton & Associates
 1000 Main Street
 Portland, ME 04102
 Phone: (207) 772-1121
 Fax: (207) 772-1121

Consultant
 CONSTRUCTION MANAGER
 Construction Management
 7 Jackson Walkway
 Providence, Rhode Island 02903
 Phone: (401) 458-5816
 Fax: (401) 458-5816

Consultant
 FOOD SERVICE
 FOOD SERVICE, LLC
 1808 West End Ave, Suite 1400
 Portland, ME 04102
 Phone: (616) 321-5591
 Fax: (616) 321-5689

Consultant
 ARCHITECT/STRUCTURAL ENGINEER
 FRANCIS
 1000 Main Street
 Portland, ME 04102
 Phone: (207) 772-1121
 Fax: (207) 879-0896

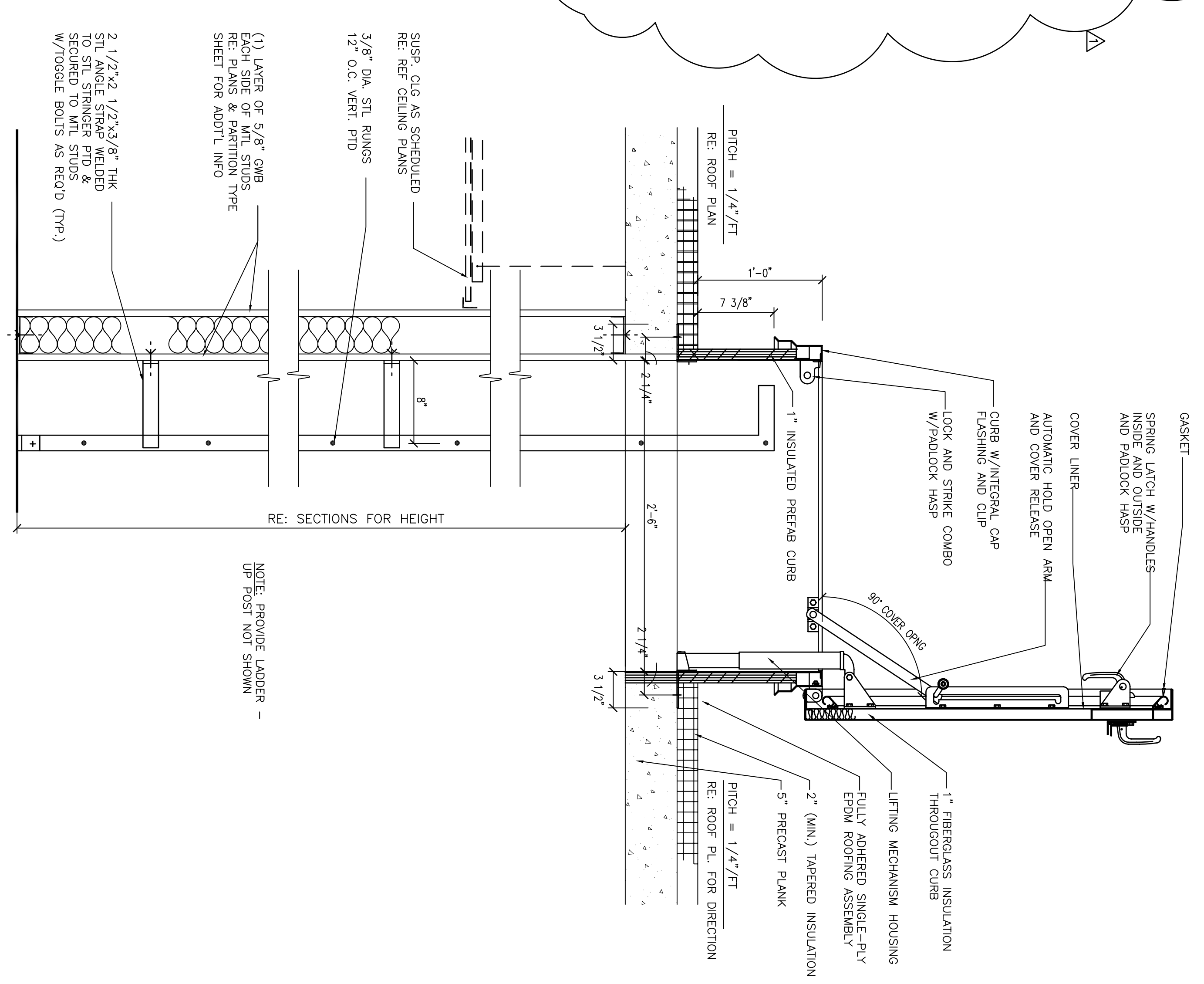
Date
 10.02.06 CORE & SHELL ISSUED
 Drawn By
 MAF/JUL/CLB/CLU/LMS
 Scale
 AS NOTED

Francis
 Cauffman
 Roley
 Hoffmann

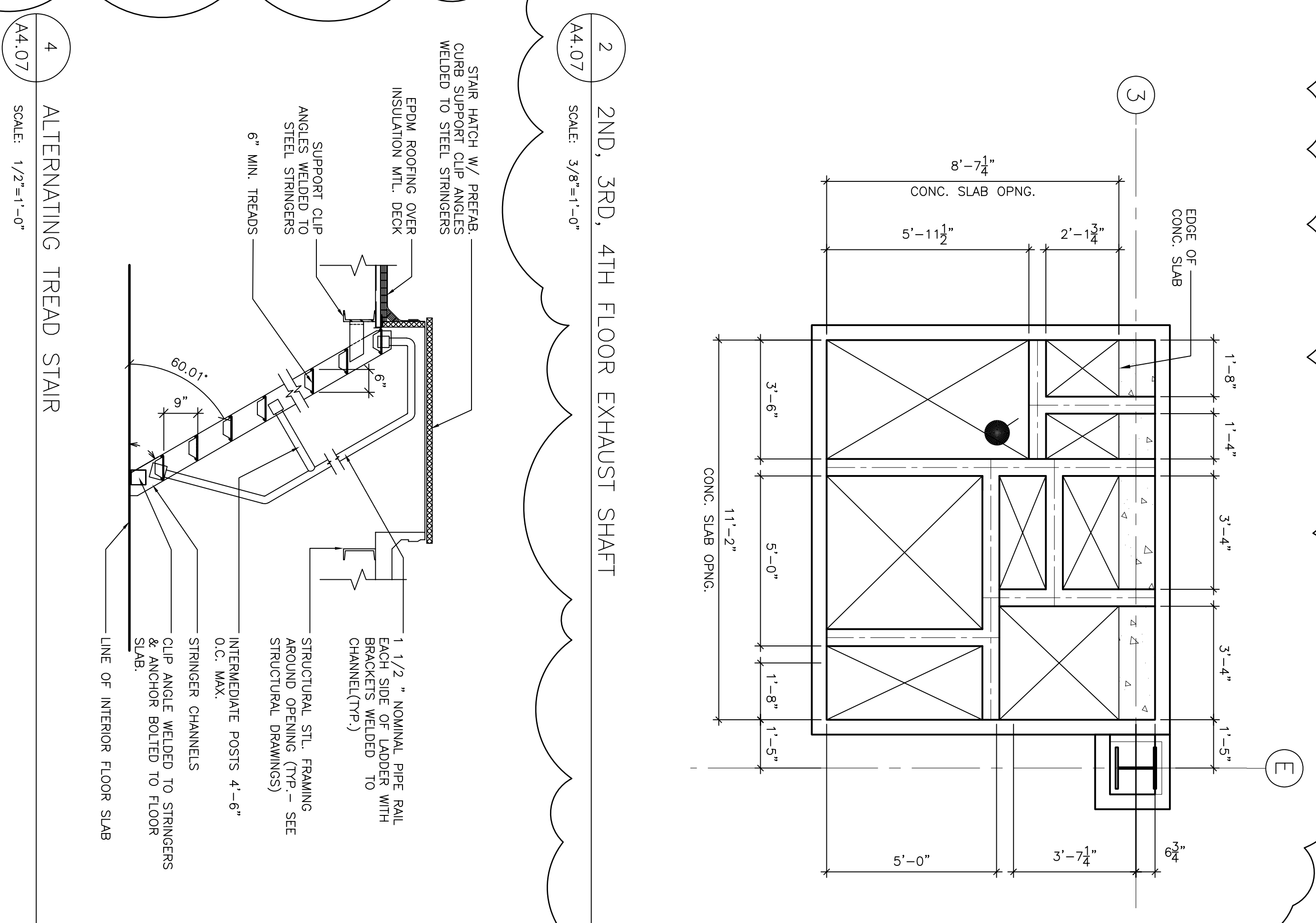
Project Title
 Mercy Health
 System of Maine
 FORE RIVER SHORT
 STAY HOSPITAL



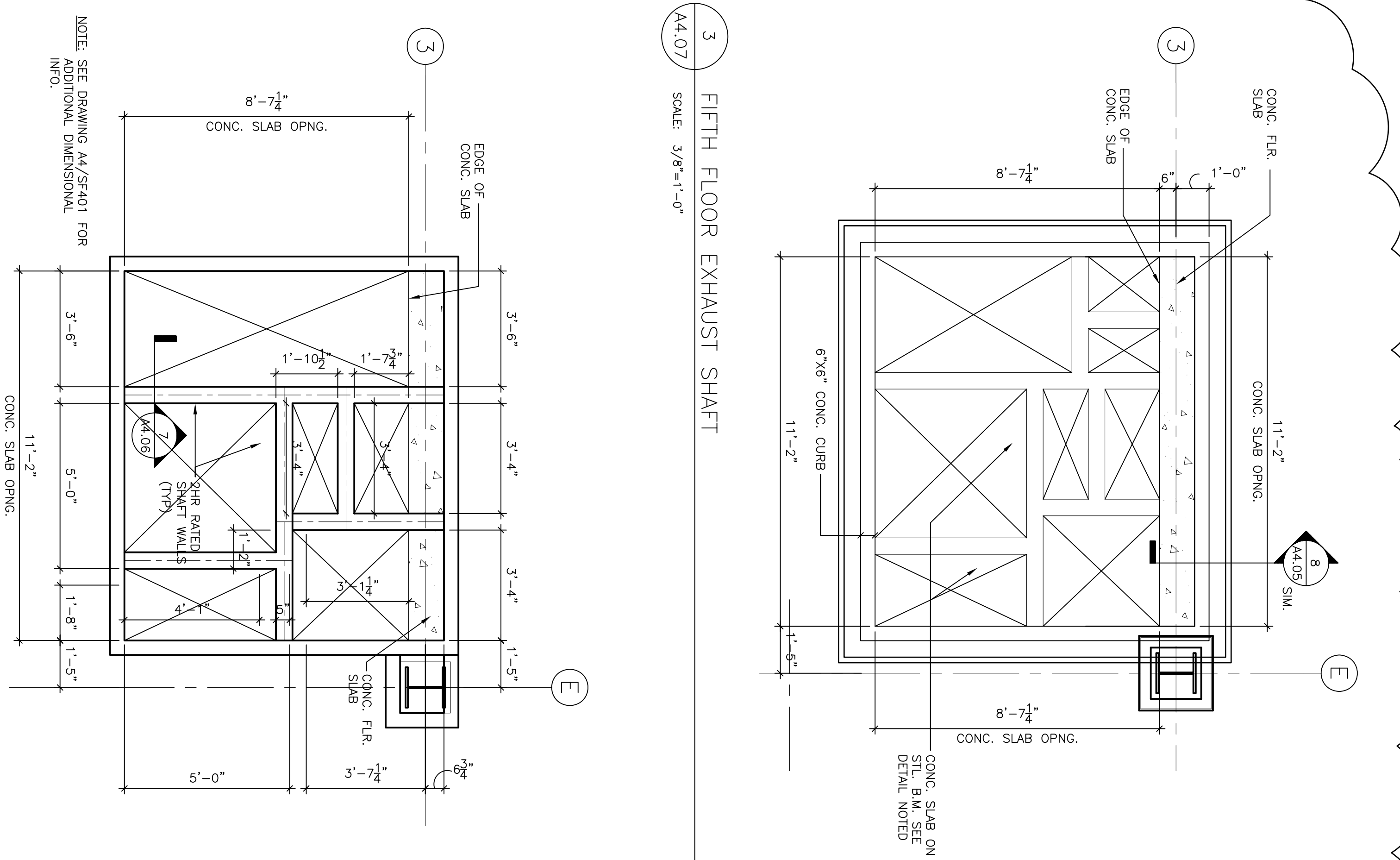
Project Number
 F05-4898
 Drawing Title and Number
 Exhaust Shaft Portal Plans



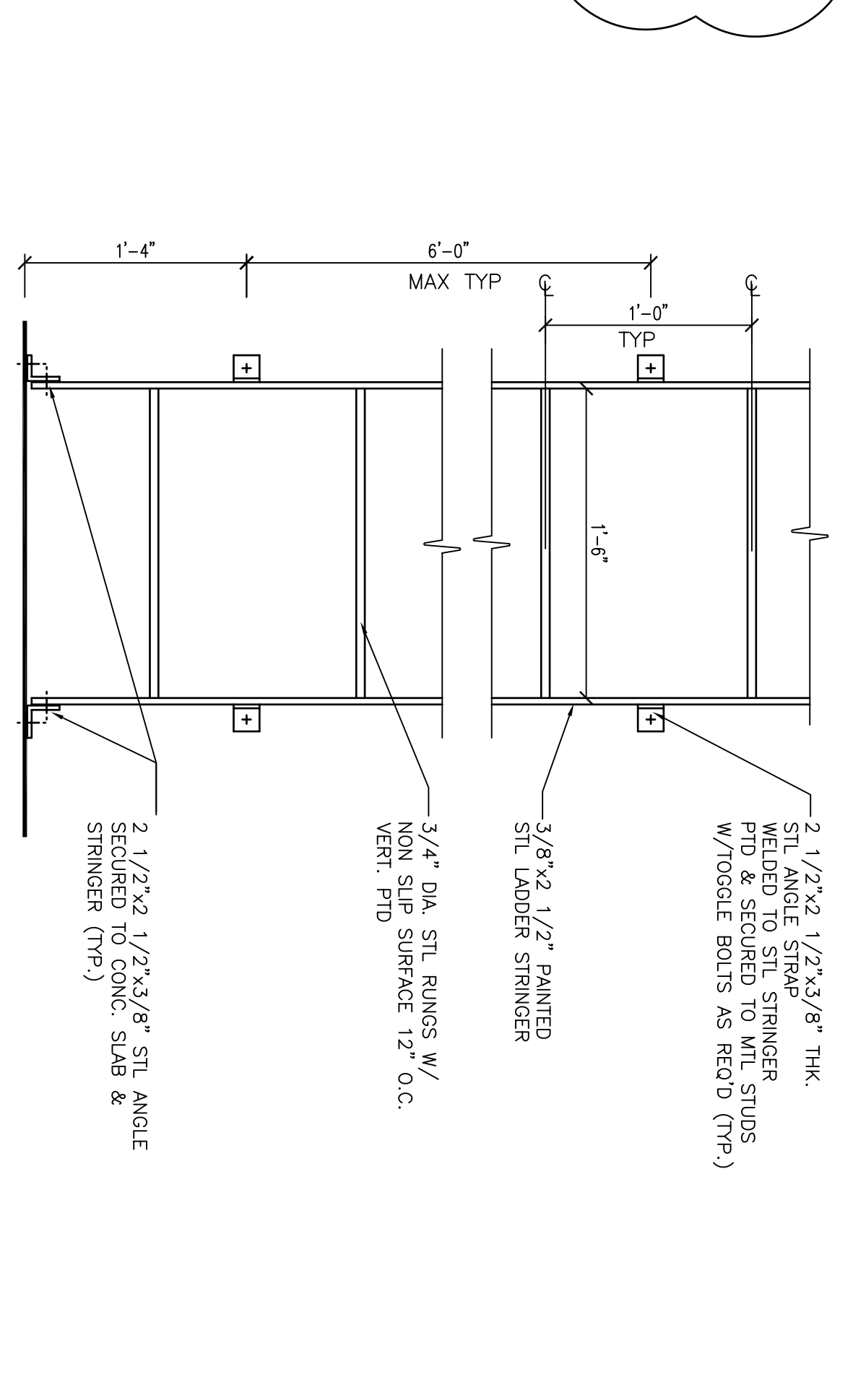
5 TYPICAL HATCH DETAIL
 SCALE: 1/2"=1'-0"



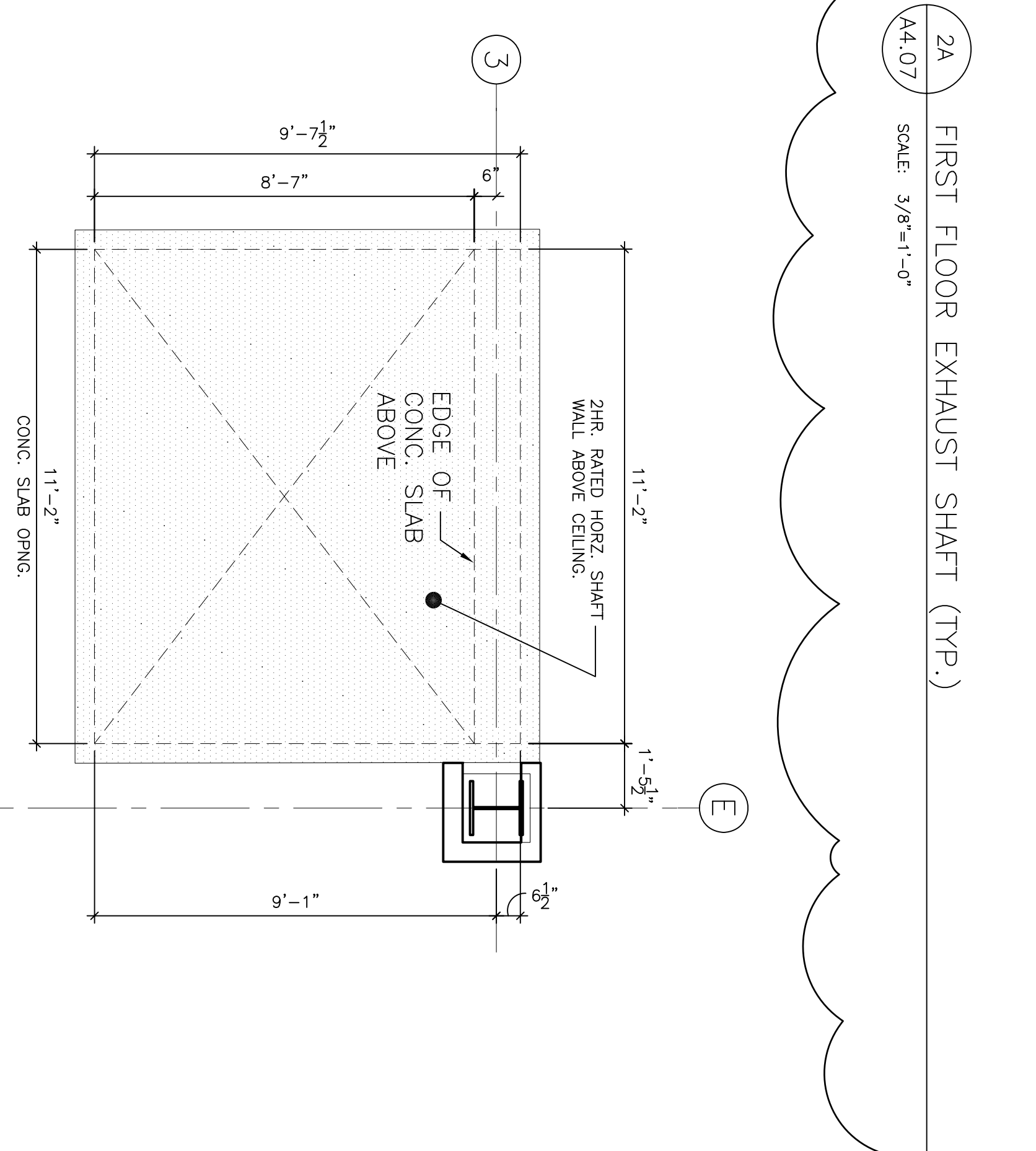
2 2ND, 3RD, 4TH FLOOR EXHAUST SHAFT
 SCALE: 3/8"=1'-0"



3 FIFTH FLOOR EXHAUST SHAFT
 SCALE: 3/8"=1'-0"



4 ALTERNATING TREAD STAIR
 SCALE: 1/2"=1'-0"



2A FIRST FLOOR EXHAUST SHAFT (TYP.)
 SCALE: 3/8"=1'-0"

1 GROUND FLOOR EXHAUST SHAFT ABOVE CEILING
 SCALE: 3/8"=1'-0"

6 TYPICAL LADDER DETAIL
 SCALE: 1/2"=1'-0"