

Consultant:

DMILL ENGINEER  
 Daniel-Hoffman Associates, Inc.  
 2050 Rock Street, Suite 410  
 Philadelphia, PA 19106  
 Phone: (207) 775-1121  
 Fax: (207) 819-0888

Consultant:  
 ASSOCIATE ARCHITECT/STRUCTURAL ENGINEER  
 SWIFT  
 1000 Pine Street P.O. Box 818  
 Portland, Maine 04104  
 Phone: (207) 772-5846  
 Fax: (207) 772-1070

Consultant:  
 MECHANICAL/ELECTRICAL ENGINEER  
 BIRD, BOG & ALDRIDGE Consulting Engineers, LLC  
 311 Arsenal Street, Suite 200  
 Portland, Maine 04102  
 Phone: 617-254-0016  
 Fax: 617-254-3339

Consultant:  
 EQUIPMENT PLANNING  
 Equipment Planning  
 183 Central George Patton Drive  
 Franklin, Tennessee 37067  
 Phone: (615) 376-3114  
 Fax: (615) 376-3114

Consultant:  
 CONSTRUCTION MANAGER  
 7 Jackson Walkway  
 Jacksonville, Florida 32203  
 Phone: (401) 456-3909  
 Fax: (401) 456-5516

Consultant:  
 Interior Finisher, LLC  
 1808 West End Ave. Suite 1400  
 Nashville, Tennessee 37203  
 Phone: (615) 321-5591  
 Fax: (615) 321-5689

As the responsibility of the Construction Manager/General Contractor and all others and accept conditions of prior work by related trades before proceeding with any work.

Date: 11/10/06 Issue for Construction

Drawn By: SKG/MAG

Scale: AS NOTED

Francis

Cauffman

Foley

Hoffmann

Project Title

Mercy Health Core System of Maine FORE RIVER SHORT STAY HOSPITAL

Project Number

F05-4898

Drawing Title and Number

LOBBY DETAILS

Project Title

Mercy Health Core System of Maine FORE RIVER SHORT STAY HOSPITAL

Project Number

F05-4898

Drawing Title and Number

LOBBY DETAILS

Project Title

Mercy Health Core System of Maine FORE RIVER SHORT STAY HOSPITAL

Project Number

F05-4898

Drawing Title and Number

LOBBY DETAILS

Project Title

Mercy Health Core System of Maine FORE RIVER SHORT STAY HOSPITAL

Project Number

F05-4898

Drawing Title and Number

LOBBY DETAILS

Project Title

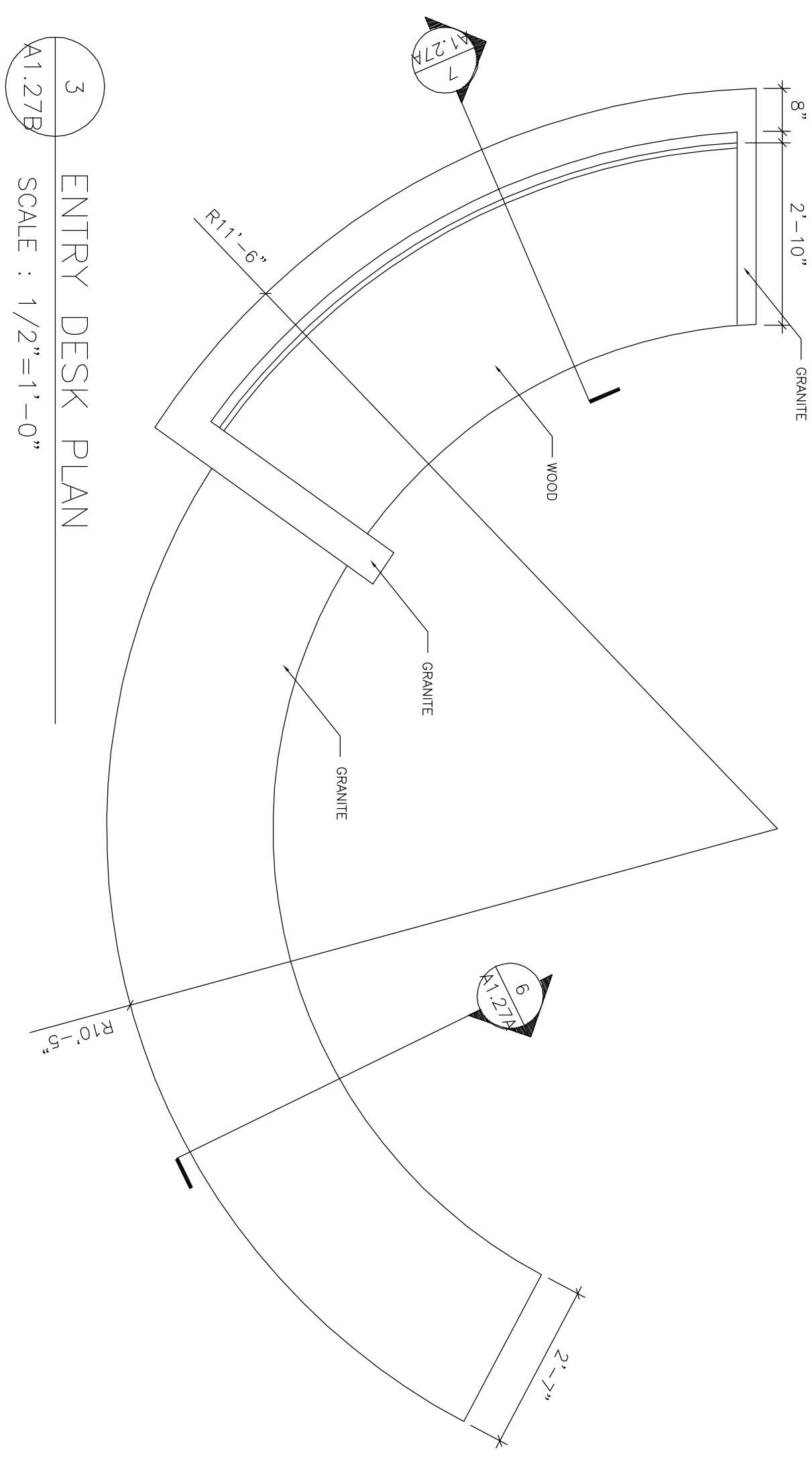
Mercy Health Core System of Maine FORE RIVER SHORT STAY HOSPITAL

Project Number

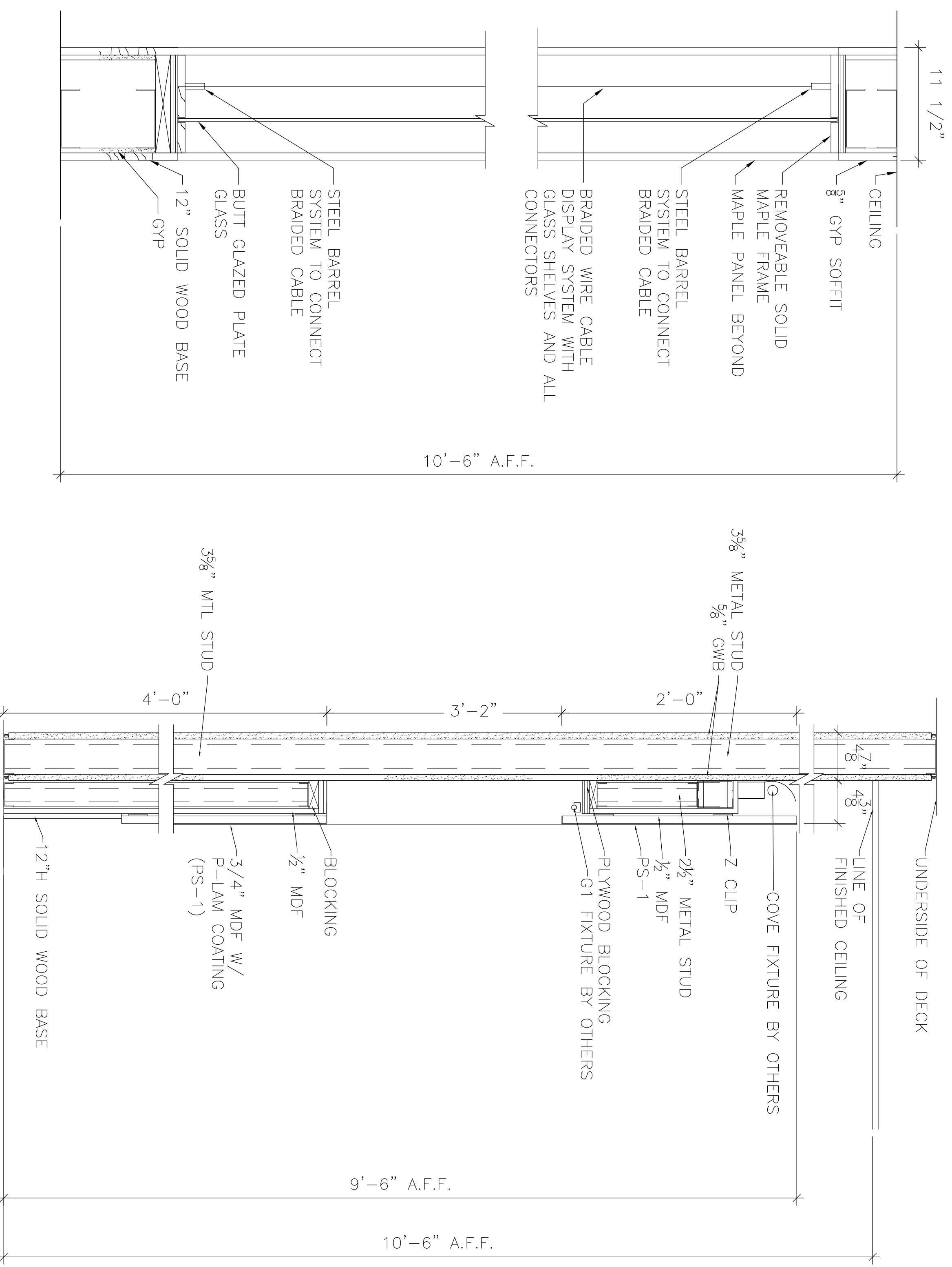
F05-4898

Drawing Title and Number

LOBBY DETAILS

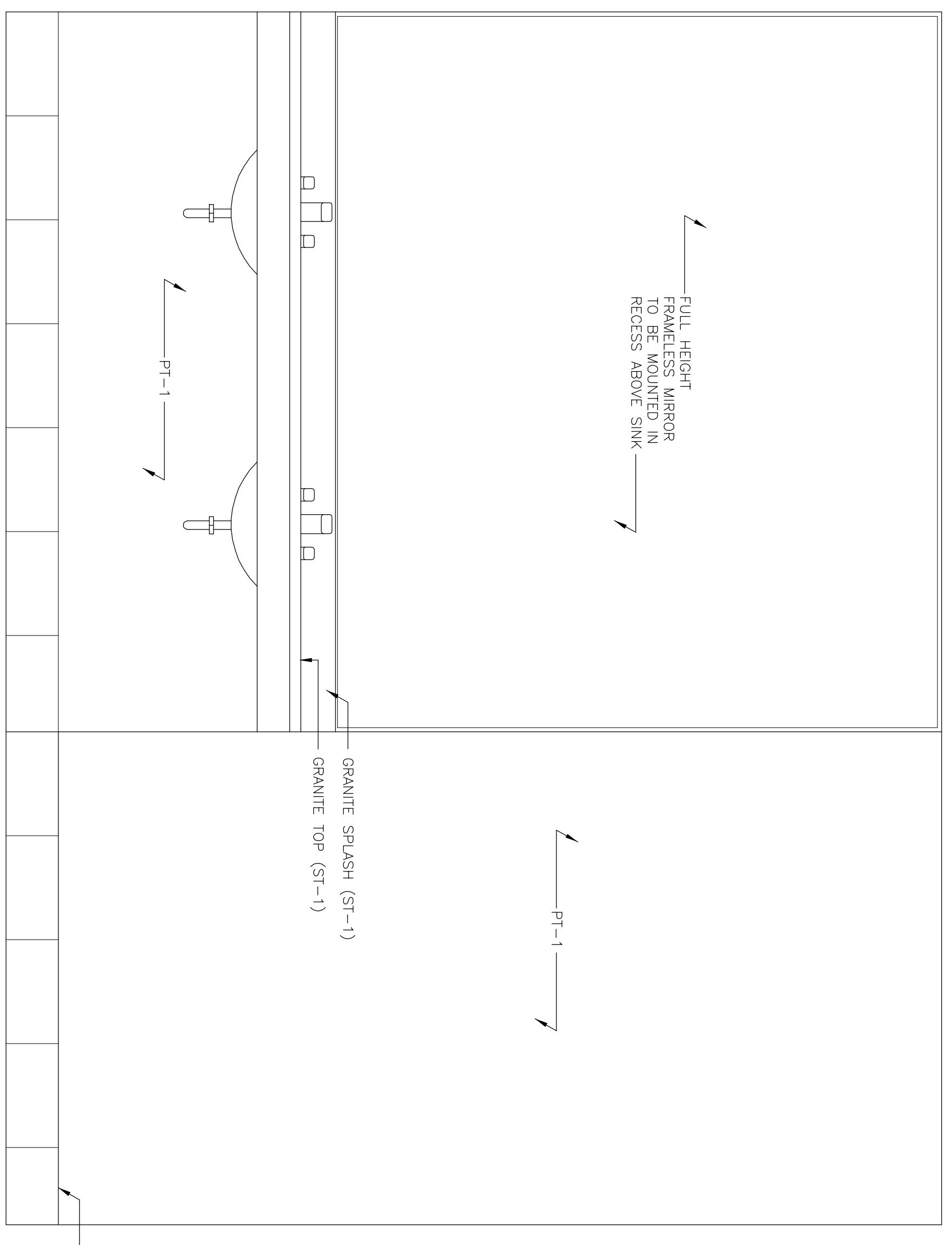


3 ENTRY DESK PLAN  
 SCALE : 1/2"=1'-0"

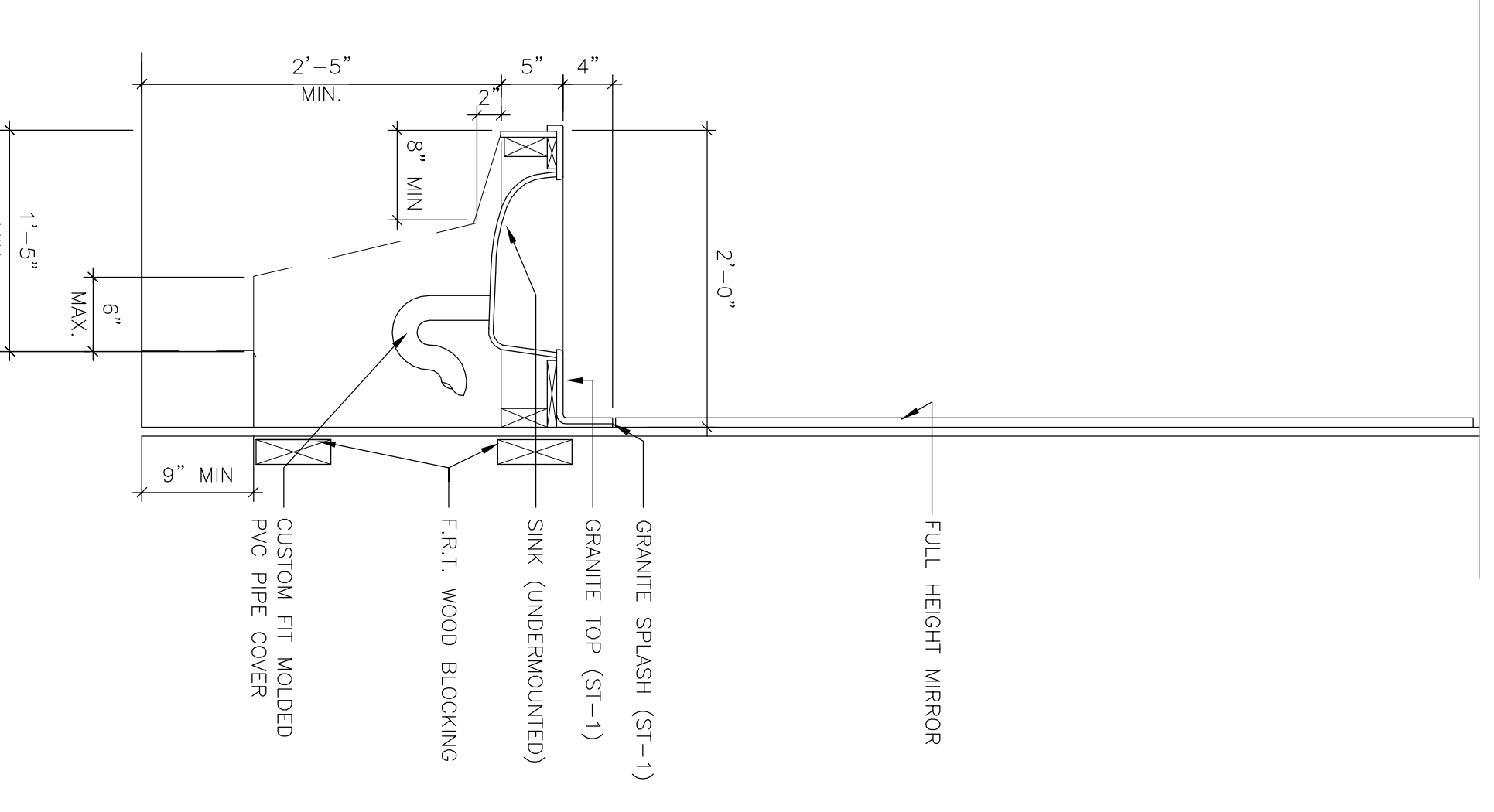


1 GIFT SHOP ELEVATION  
 SCALE : 1/2"=1'-0"

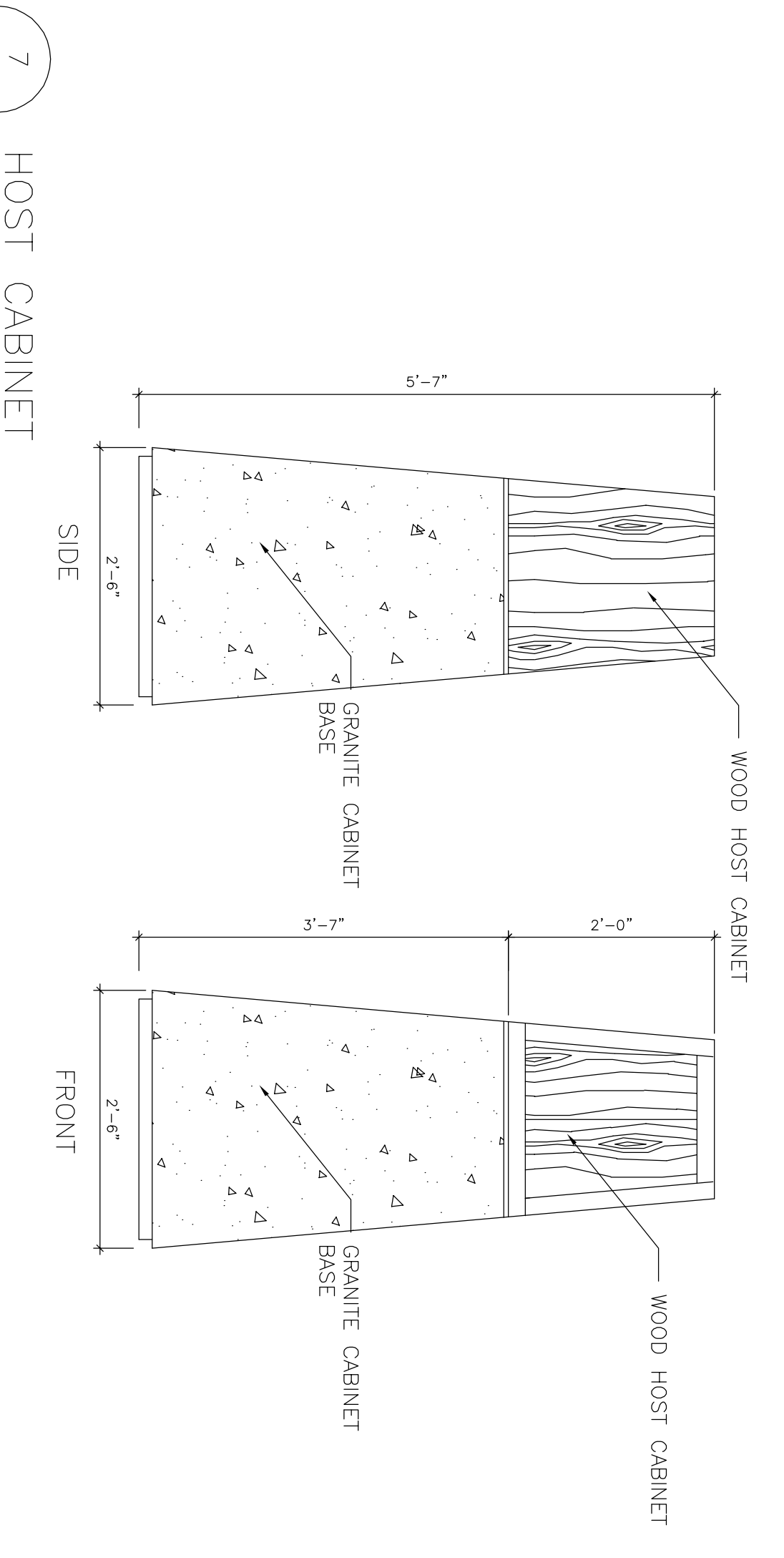
2 LOBBY WOOD PANEL WALL SECTION  
 SCALE : 1/2"=1'-0"



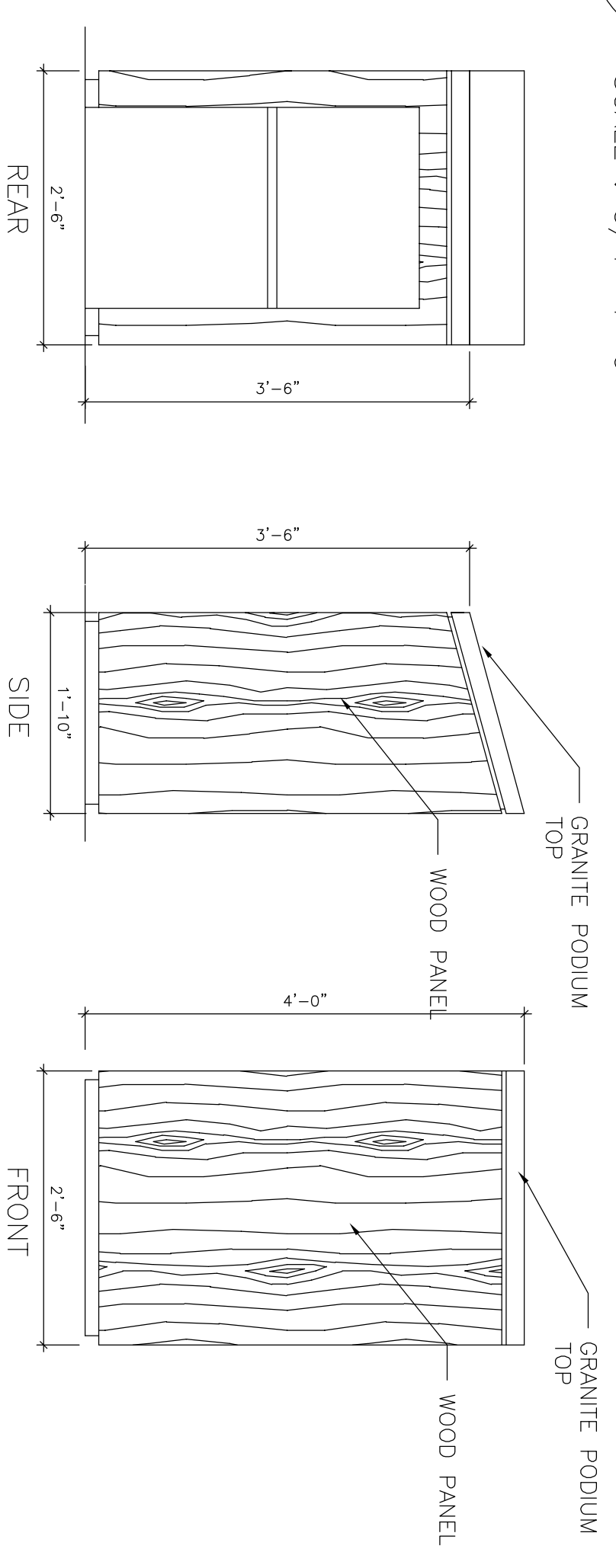
6 PUBLIC TOILET ELEVATION  
 SCALE : 1/2"=1'-0"



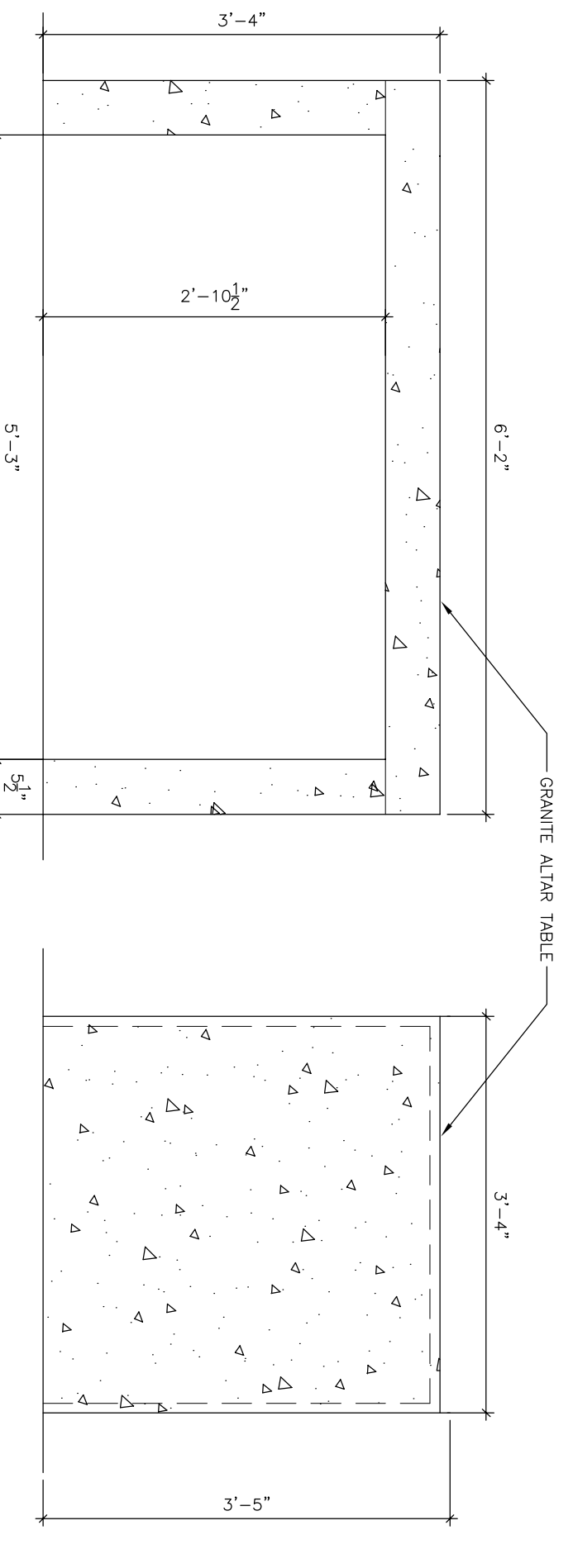
6a PUBLIC TOILET SECTION  
 SCALE : 1/2"=1'-0"



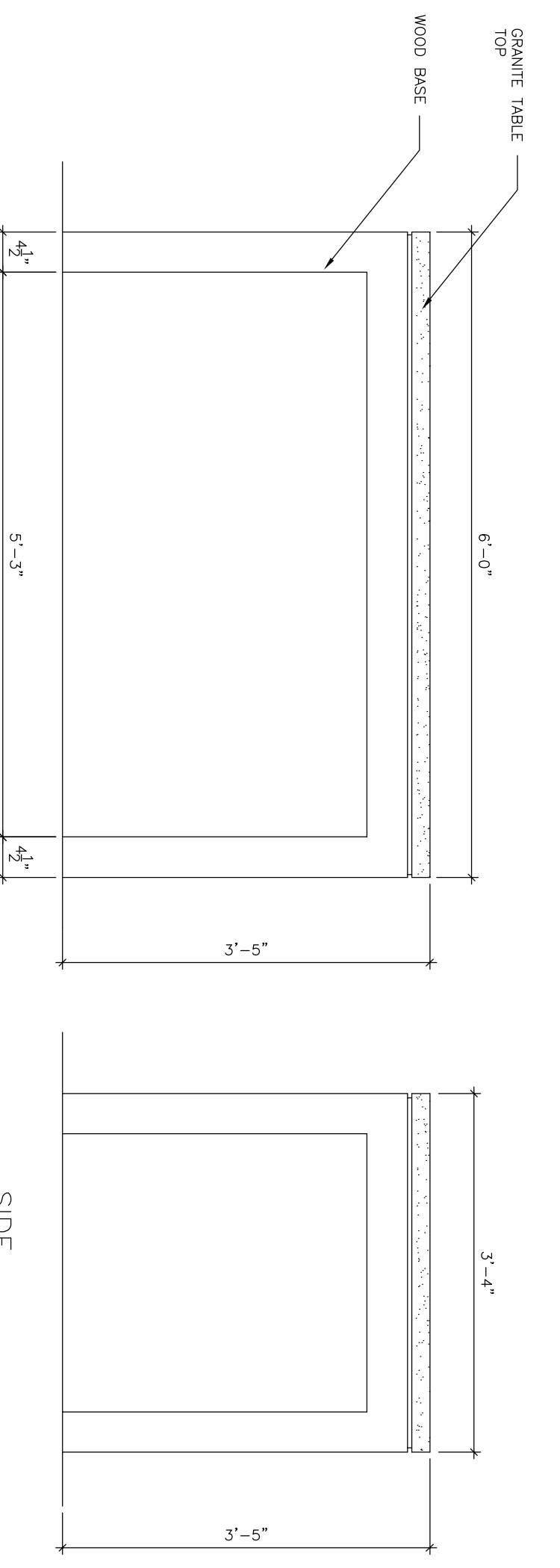
7 HOST CABINET  
 SCALE : 3/4"=1'-0"



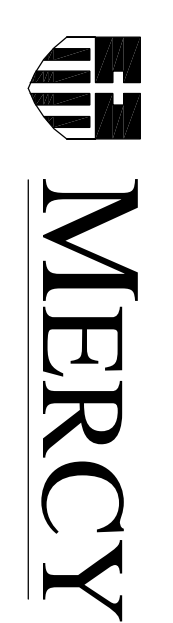
4 CHAPEL LECTERN  
 SCALE : 3/4"=1'-0"



5 ALTAR ELEVATION  
 SCALE : 3/4"=1'-0"



5A ALTAR ELEVATION ALTERNATE  
 SCALE : 3/4"=1'-0"



Project Number  
 F05-4898  
 Drawing Title and Number  
 LOBBY DETAILS

A1.27B