

Consultant
 CIVIL ENGINEER
 Deluce-Hoffman Associates, Inc.
 278 Main Street, Suite 8
 Philadelphia, PA 19103
 Phone (207) 775-1121
 Fax (207) 879-0888

Consultant
 ASSOCIATE ARCHITECT/STRUCTURAL ENGINEER
 SMRT
 One Grand St. Box 618
 Portland, Maine 04104
 Phone (207) 772-5846
 Fax (207) 772-1070

Consultant
 MECHANICAL/ELECTRICAL ENGINEER
 BIRD, BOG & ALBINO Consulting Engineers, LLC
 311 Arsenal Street
 Portland, ME 04102
 Phone (207) 724-2589
 Fax (207) 724-2539

Consultant
 EQUIPMENT PLANNING
 Equipment Planning
 183 General George Patton Drive
 Franklin, Tennessee 37067
 Phone (615) 376-3114
 Fax (615) 376-3114

Consultant
 CONSTRUCTION MANAGER
 Construction Management
 7 Jackson Walkway
 Providence, RI 02903
 Phone (401) 456-8995
 Fax (401) 456-5516

Consultant
 Interior Designer
 Innon Associates, LLC
 1808 West End Ave Suite 1400
 Philadelphia, PA 19103
 Phone (615) 321-5591
 Fax (615) 321-5689

Responsible for the construction management and all other work under contract conditions of prior work by retained trades before proceeding with any work.

Date 11/10/06 Issue for Construction
 Drawn By SKG/MAG
 Scale AS NOTED

Francis

Cauffman

Foley

Hoffmann

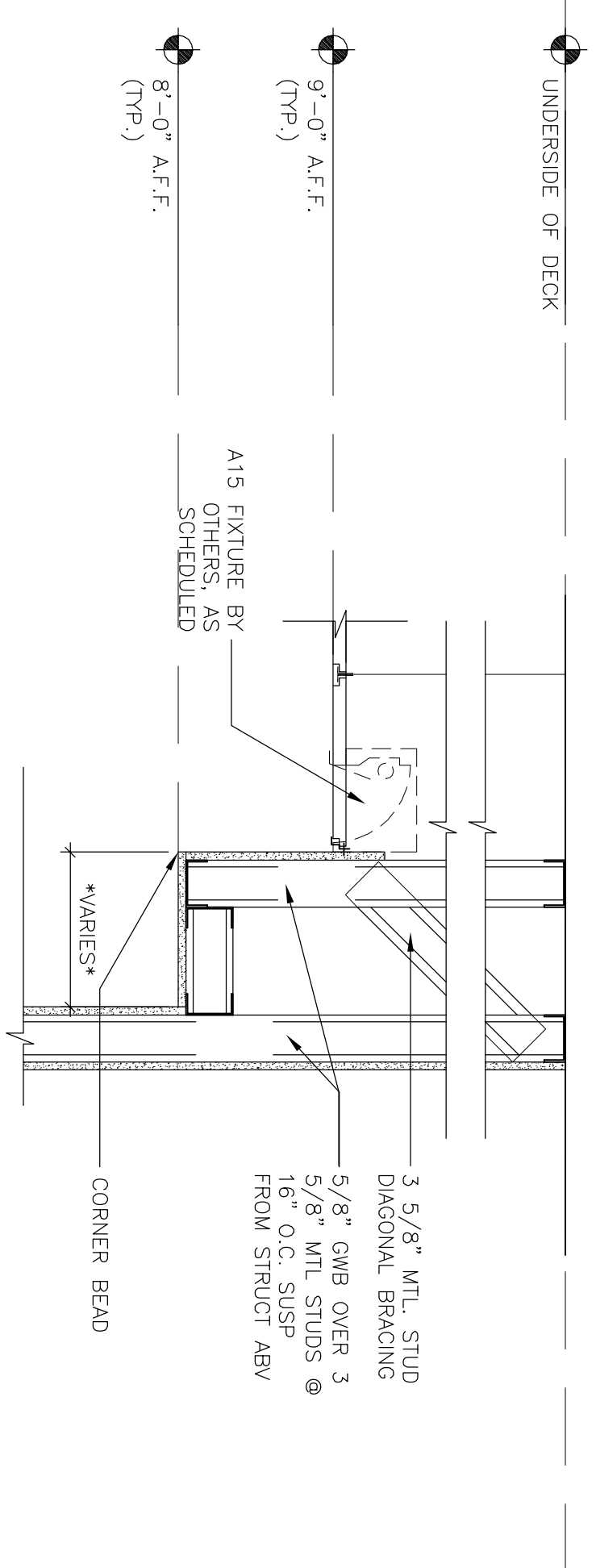
Project Location
 Francis, Cauffman
 2720 Ash Street
 Philadelphia, PA 19103
 Architects Ltd. 215-568-8250

Project Title
 Mercy Health Core
 System of Maine
 FORE RIVER SHORT
 STAY HOSPITAL

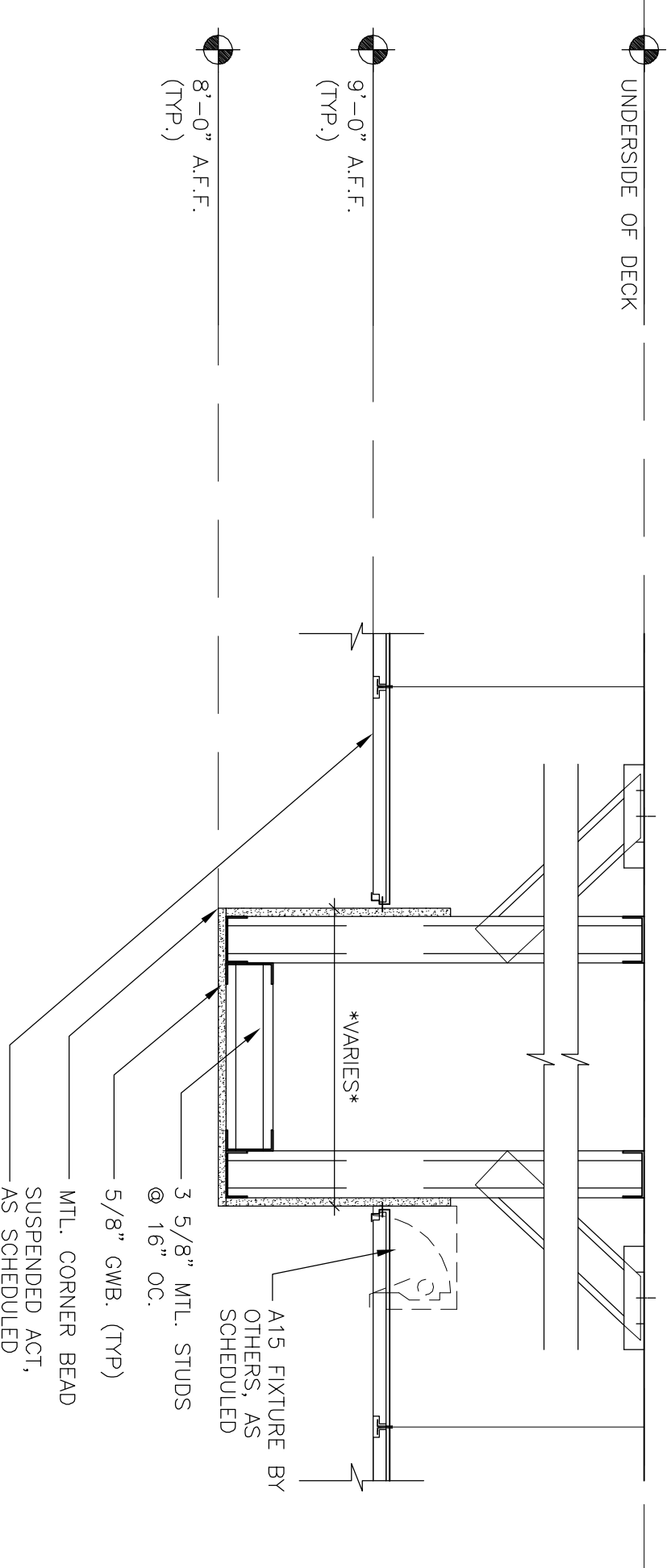


Project Number
 FO5-4898
 Drawing the only Number
 Ceiling Details

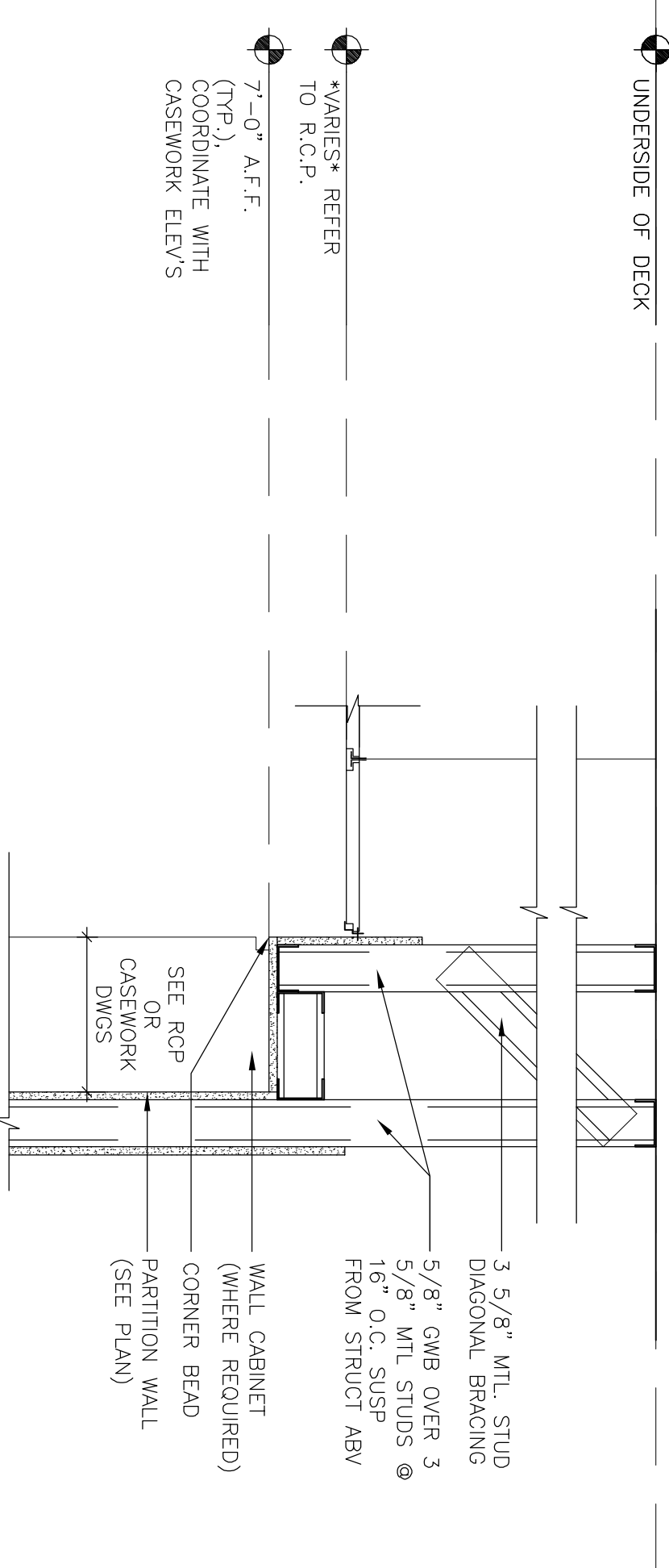
A1.26



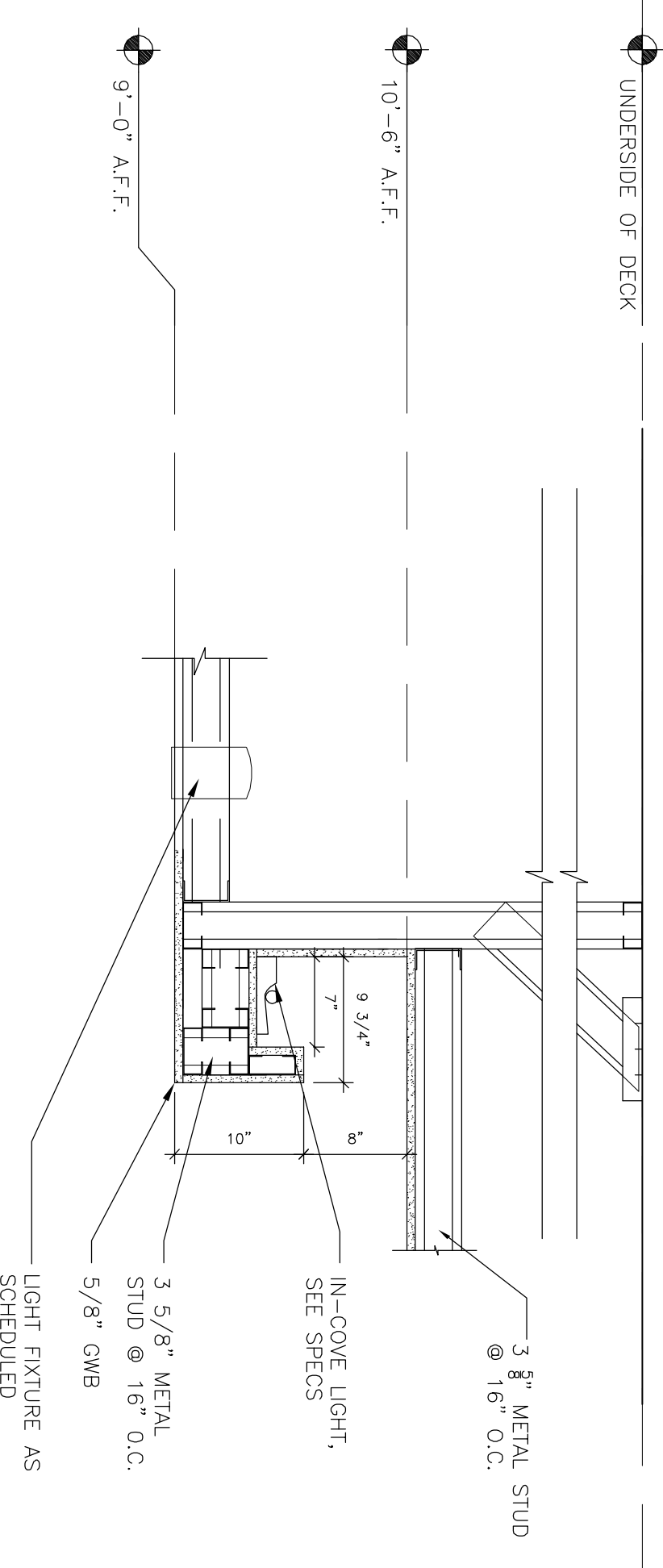
1 SOFFIT DETAIL
 A1.26 SCALE : 1 1/2"=1'-0"



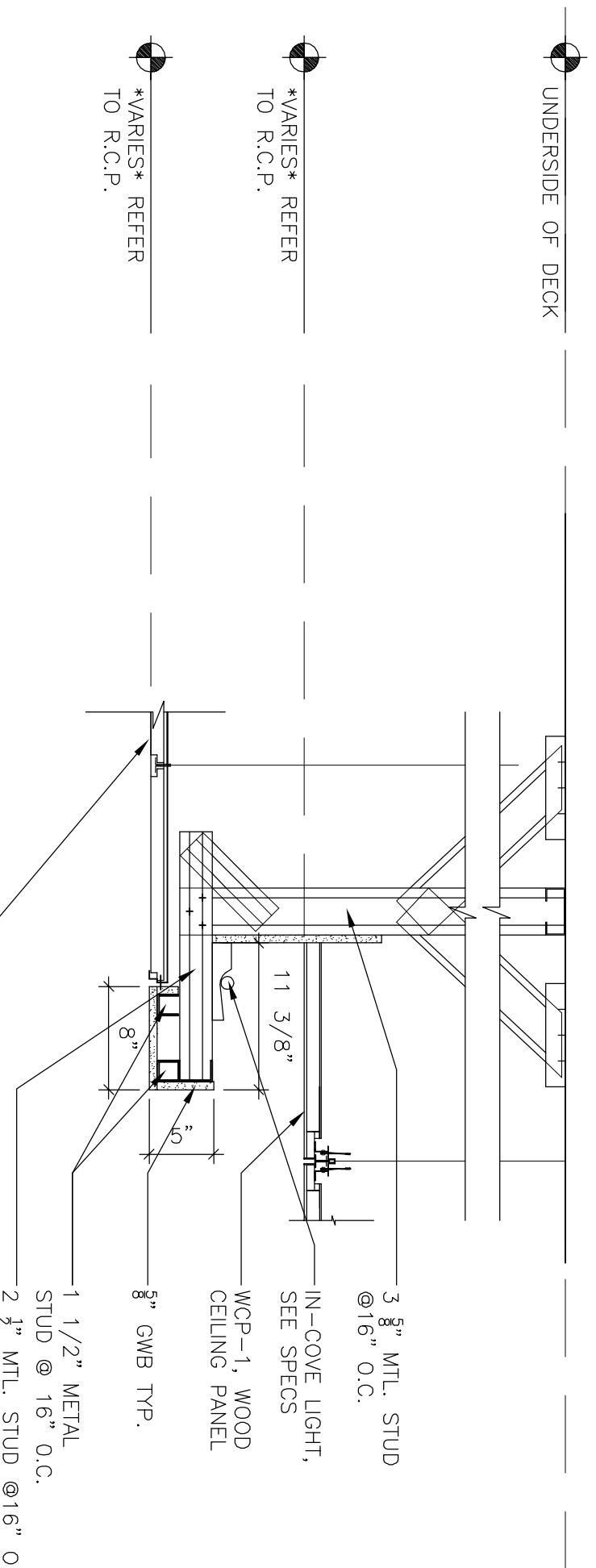
2 TYPICAL CORRIDOR SOFFIT
 A1.26 SCALE : 1 1/2"=1'-0"



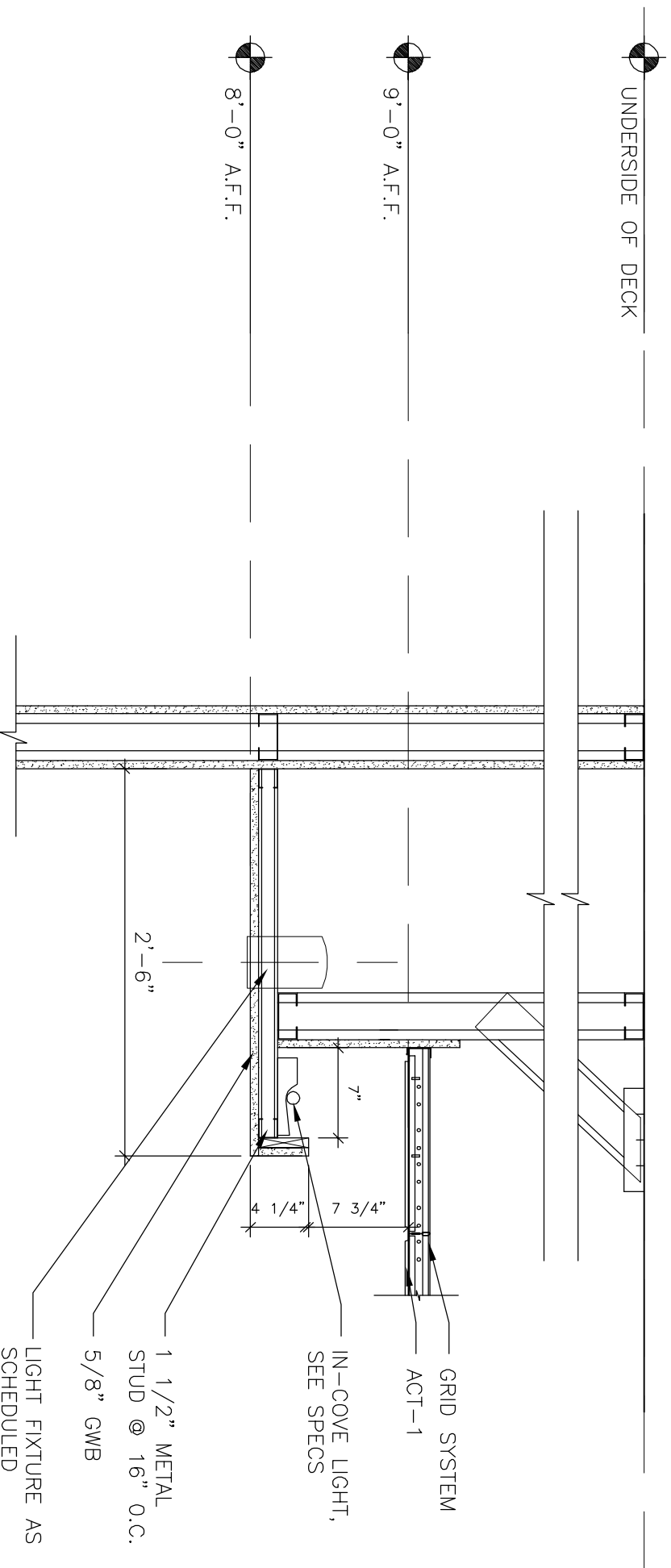
3 CASEWORK SOFFIT DETAIL
 A1.26 SCALE : 1 1/2"=1'-0"



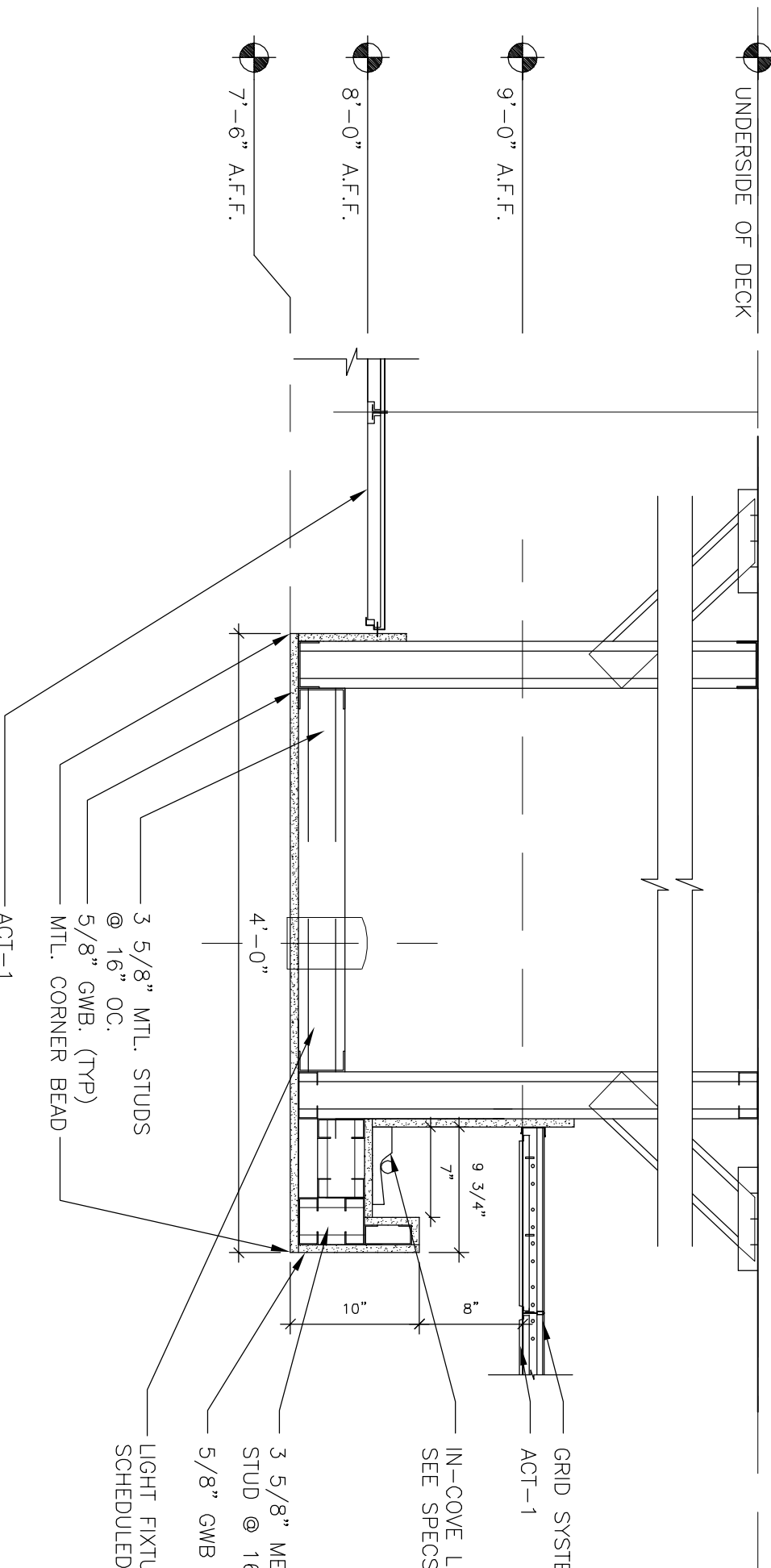
4 COVE DETAIL
 A1.26 SCALE : 1 1/2"=1'-0"



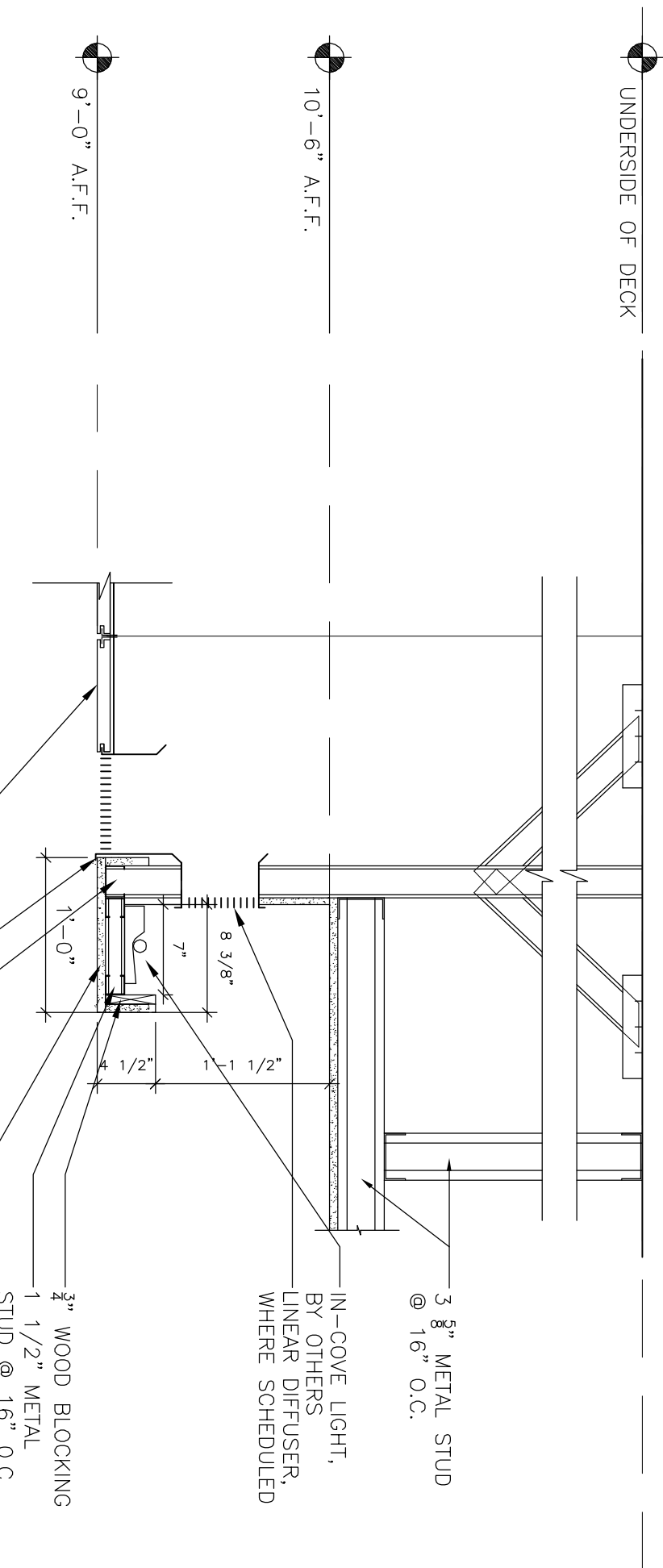
5 TYPICAL COVE DETAIL @WOOD CEILING
 A1.26 SCALE : 1 1/2"=1'-0"



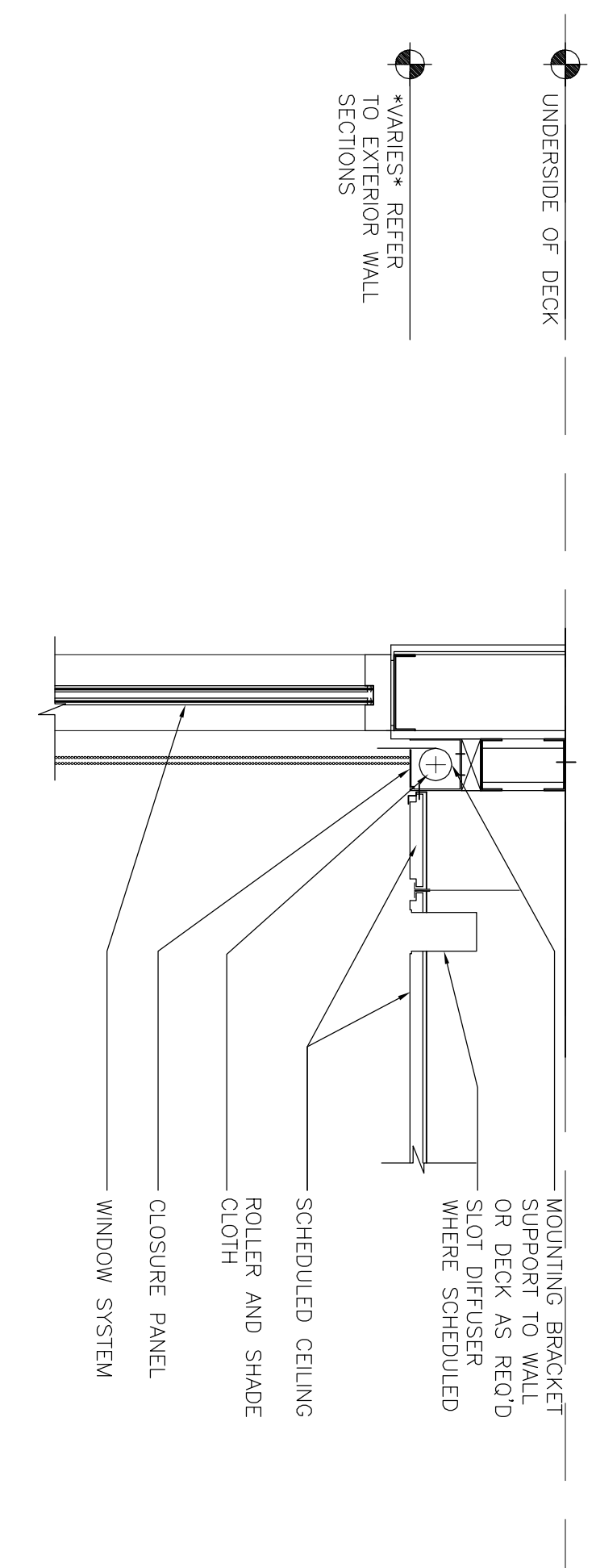
6 CONFERENCE ROOM LIGHT COVE DETAIL
 A1.26 SCALE : 1 1/2"=1'-0"



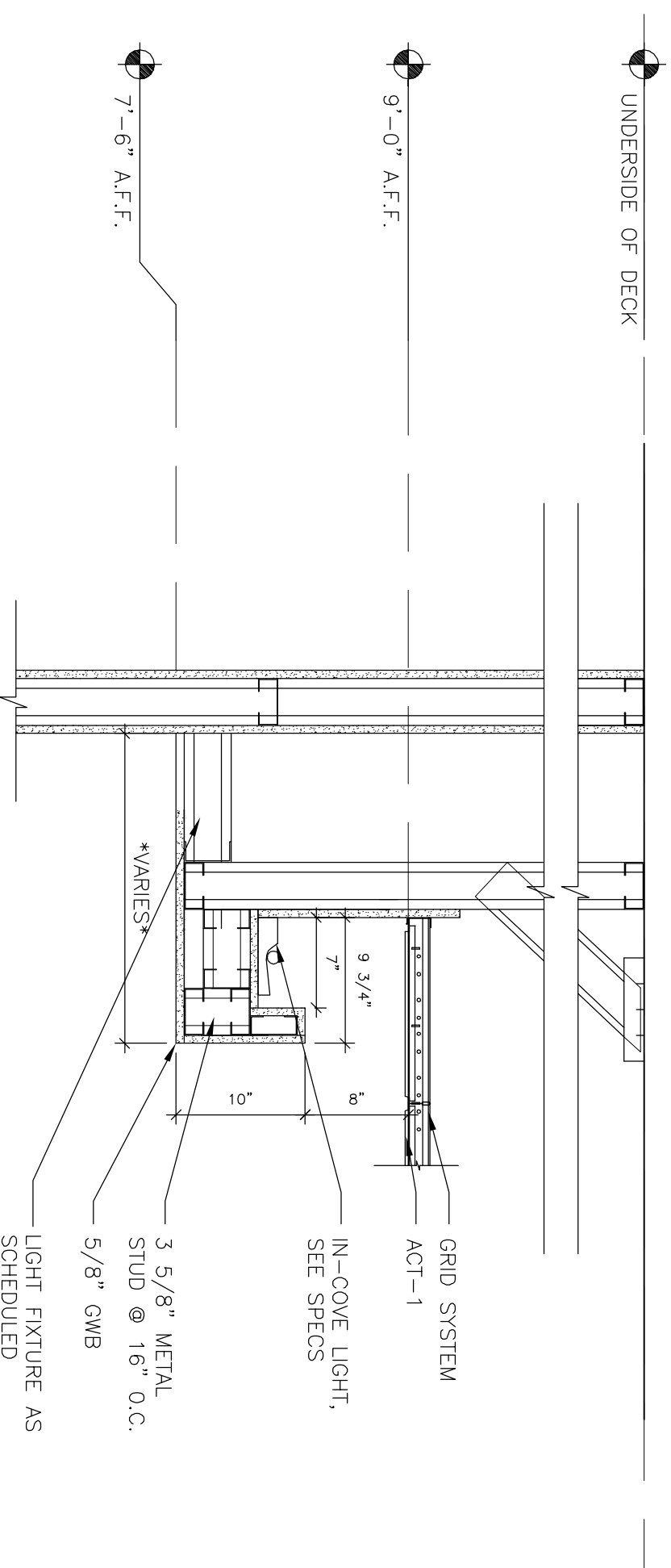
7 TYPICAL COVE DETAIL @ NURSESTATION
 A1.26 SCALE : 1 1/2"=1'-0"



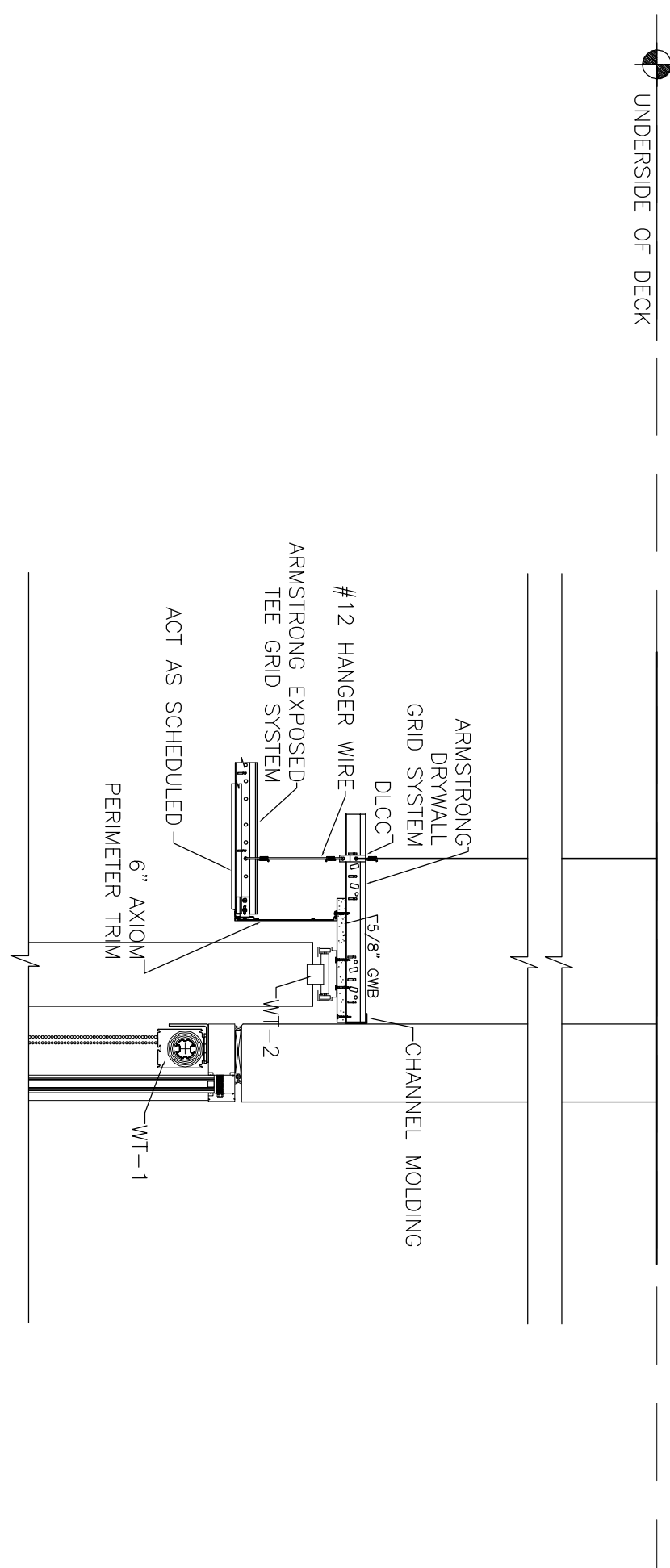
8 LOBBY COVE DETAIL
 A1.26 SCALE : 1 1/2"=1'-0"



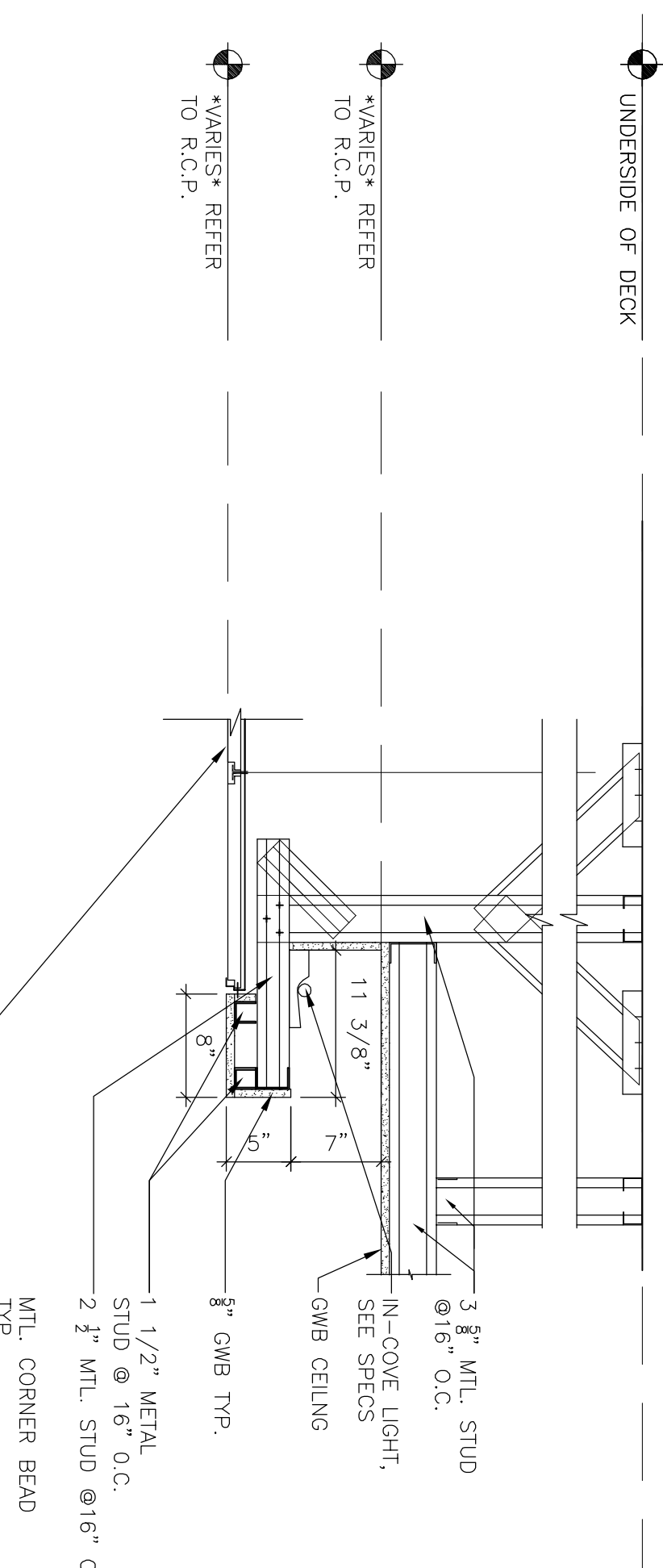
9 TYPICAL SHADE POCKET DETAIL
 A1.26 SCALE : 1 1/2"=1'-0"



10 TYPICAL COVE DETAIL
 A1.26 SCALE : 1 1/2"=1'-0"



11 WAITING ROOM DRAPERY POCKET DETAIL
 A1.26 SCALE : 1 1/2"=1'-0"



12 COVE DETAIL
 A1.26 SCALE : 1 1/2"=1'-0"