

FIG. 1000
STAY RIVER
HOSPITAL

Consultant
 CH2M HILL
 Dulac-Huffman Associates, Inc.
 2718 Main Street, Suite 805
 Philadelphia, PA 19103
 Phone: (207) 775-1121
 Fax: (207) 879-0888

Consultant
 ASSOCIATE ARCHITECT/STRUCTURAL ENGINEER
 SMRT
 One Grand Ave. 2nd Floor 618
 Portland, Maine 04104
 Phone: (207) 772-5846
 Fax: (207) 772-1070

Consultant
 MECHANICAL/ELECTRICAL ENGINEER
 BIRD, BOG & ALPHEUS CONSULTING ENGINEERS, LLC
 311 Arsenal Street
 Manchester, NH 03102
 Phone: (603) 271-2389
 Fax: 6179243539

Consultant
 EQUIPMENT PLANNING
 EQUIPMENT PLANNING
 1893 General George Patton Drive
 Franklin, Tennessee 37067
 Phone: (615) 776-3100
 Fax: (615) 376-3114

Consultant
 CONSTRUCTION MANAGER
 MCGOUGH CONSTRUCTION
 7 Jackson Walkway
 Providence, RI 02903
 Phone: (401) 456-8995
 Fax: (401) 456-5516

Consultant
 ARCHITECT
 HOFFMANN
 1808 West End Ave. Suite 1400
 Philadelphia, PA 19103
 Phone: (615) 321-5591
 Fax: (615) 321-5889

Responsible for the Construction
 Manager/General Contractor and all
 other trades shall be responsible for
 meeting all applicable codes and
 accept conditions of prior work by related
 trades before proceeding with any work.

Date	Issue for
11/10/06	Construction
Drawn By	SKG/MAG
Scale	AS NOTED

Francis

Cauffman

Foley

Hoffmann

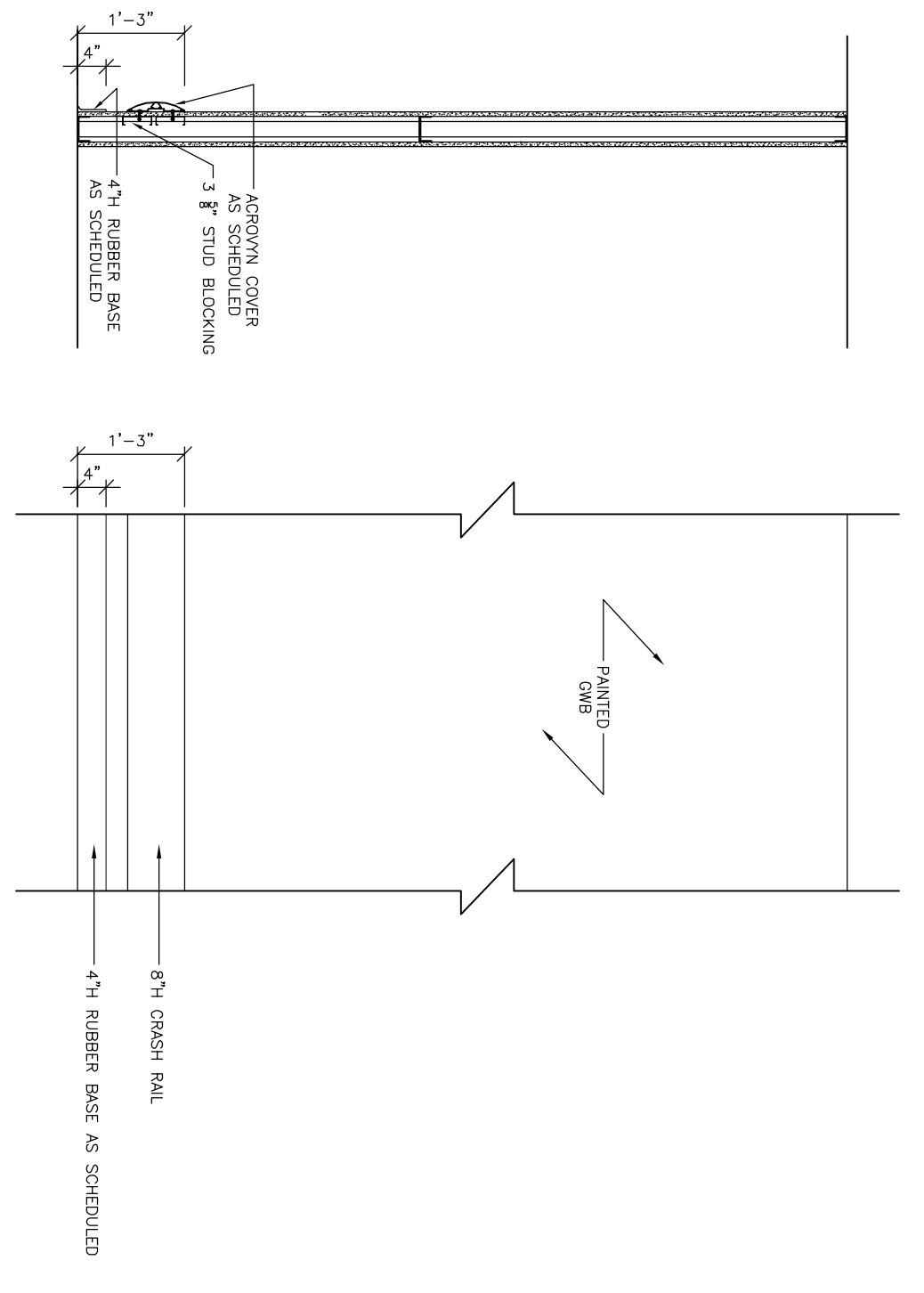
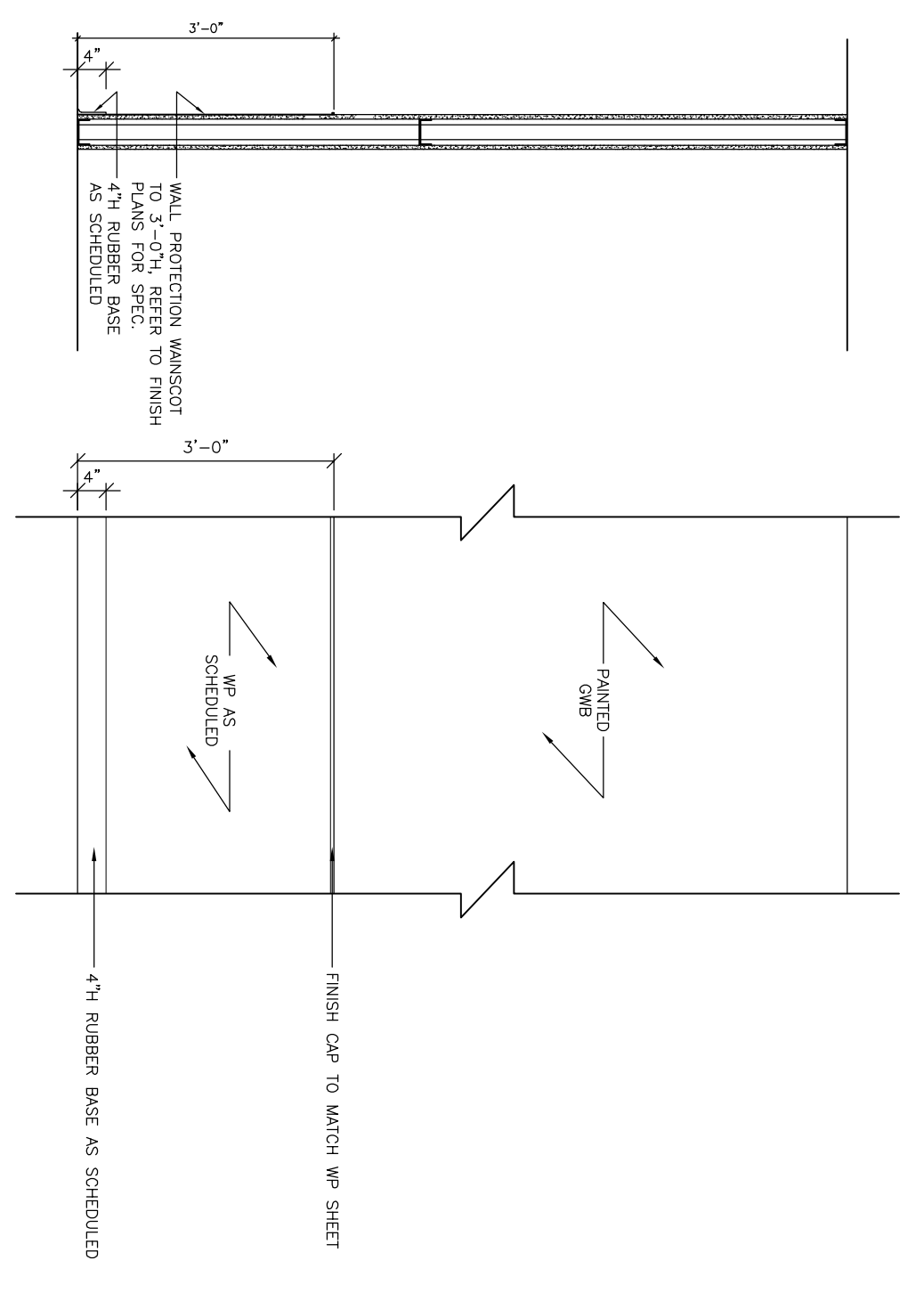
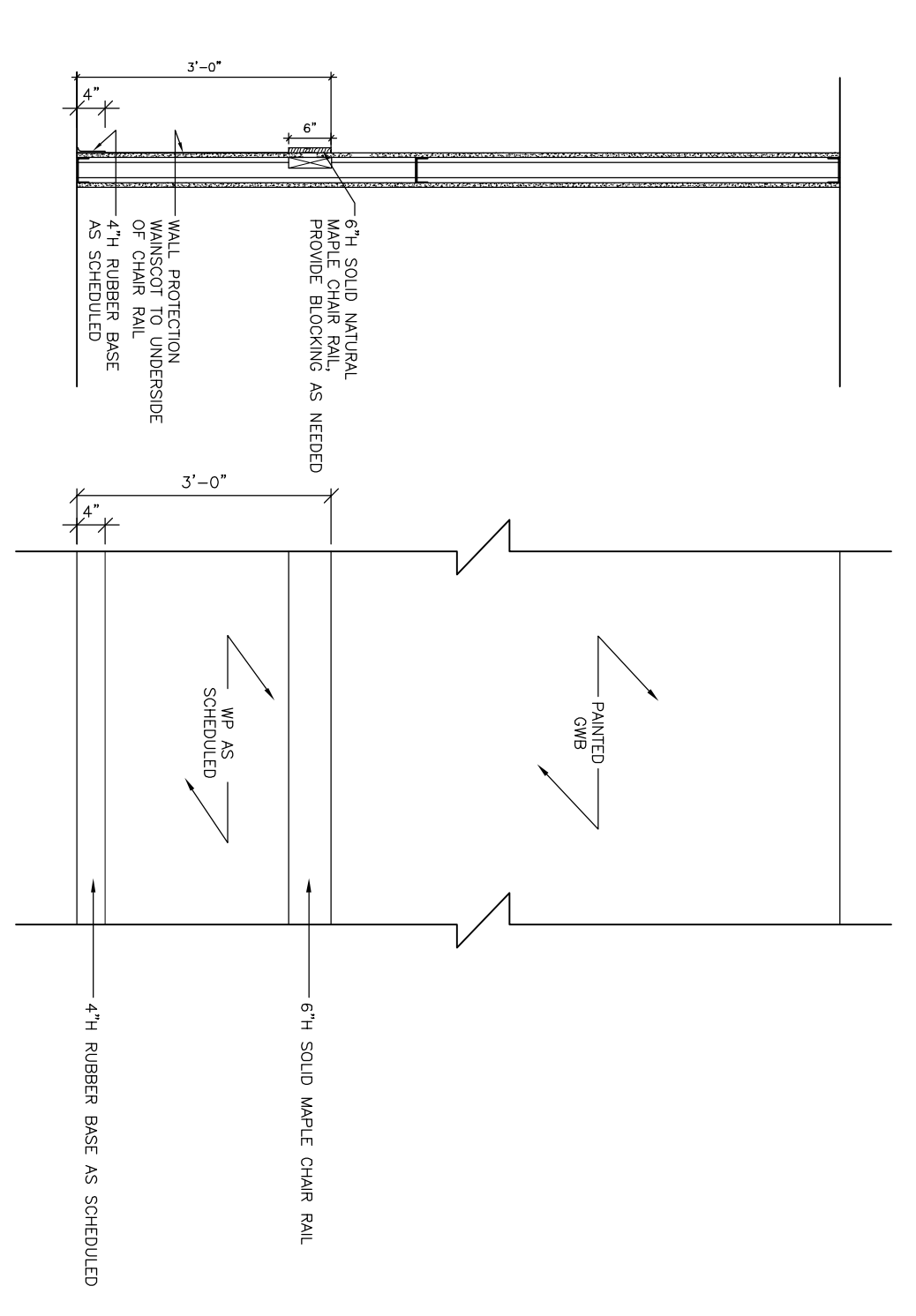
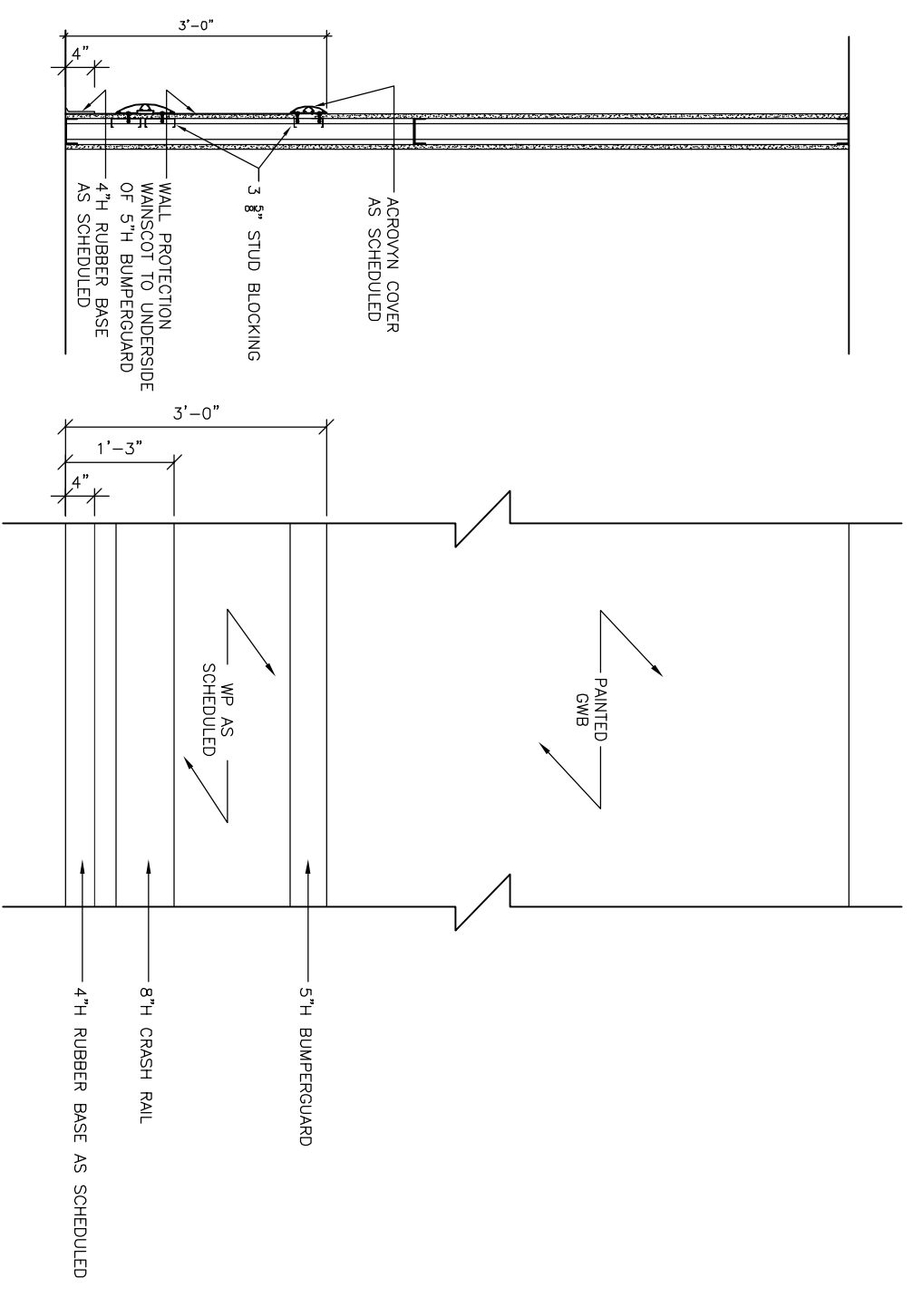
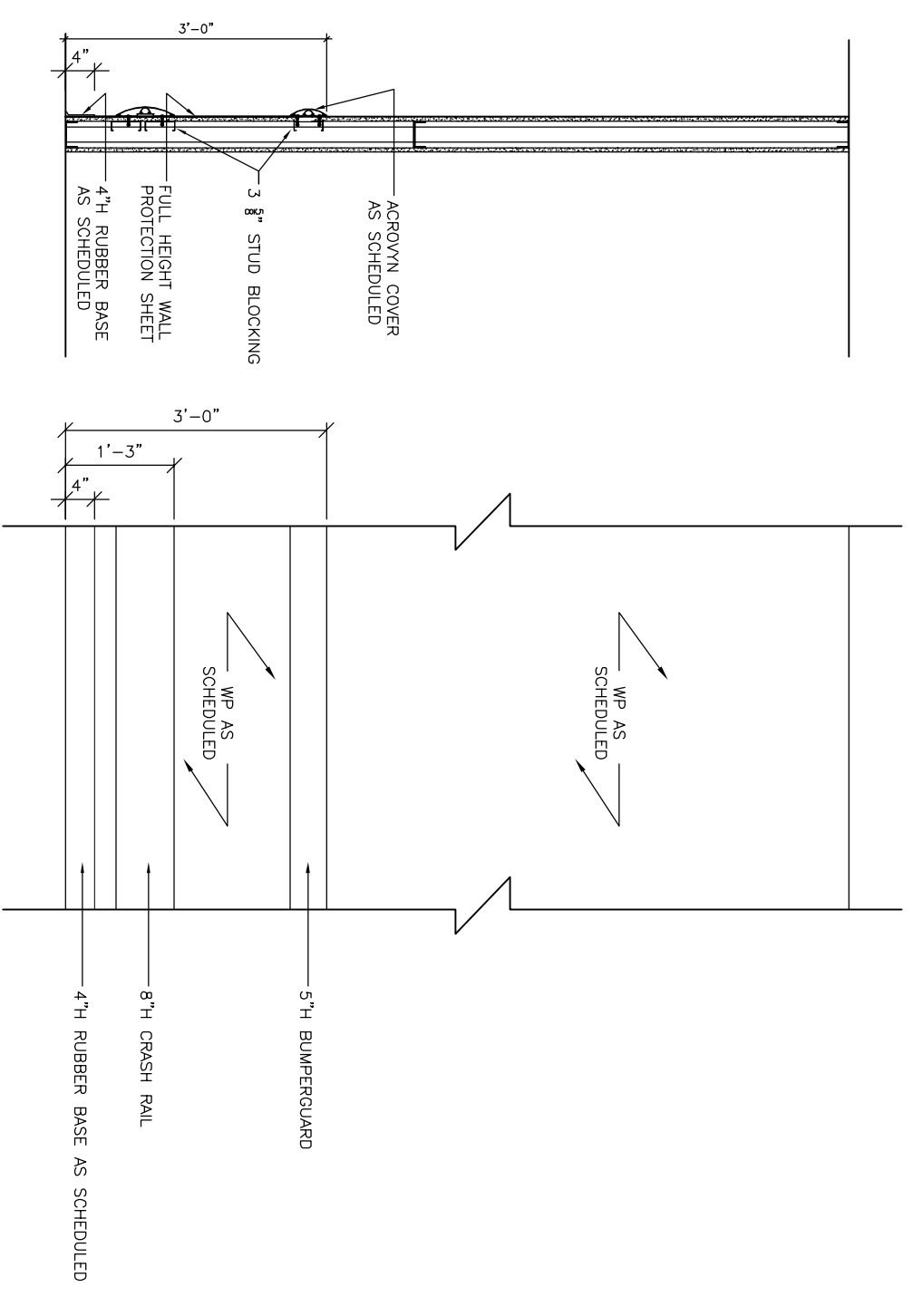
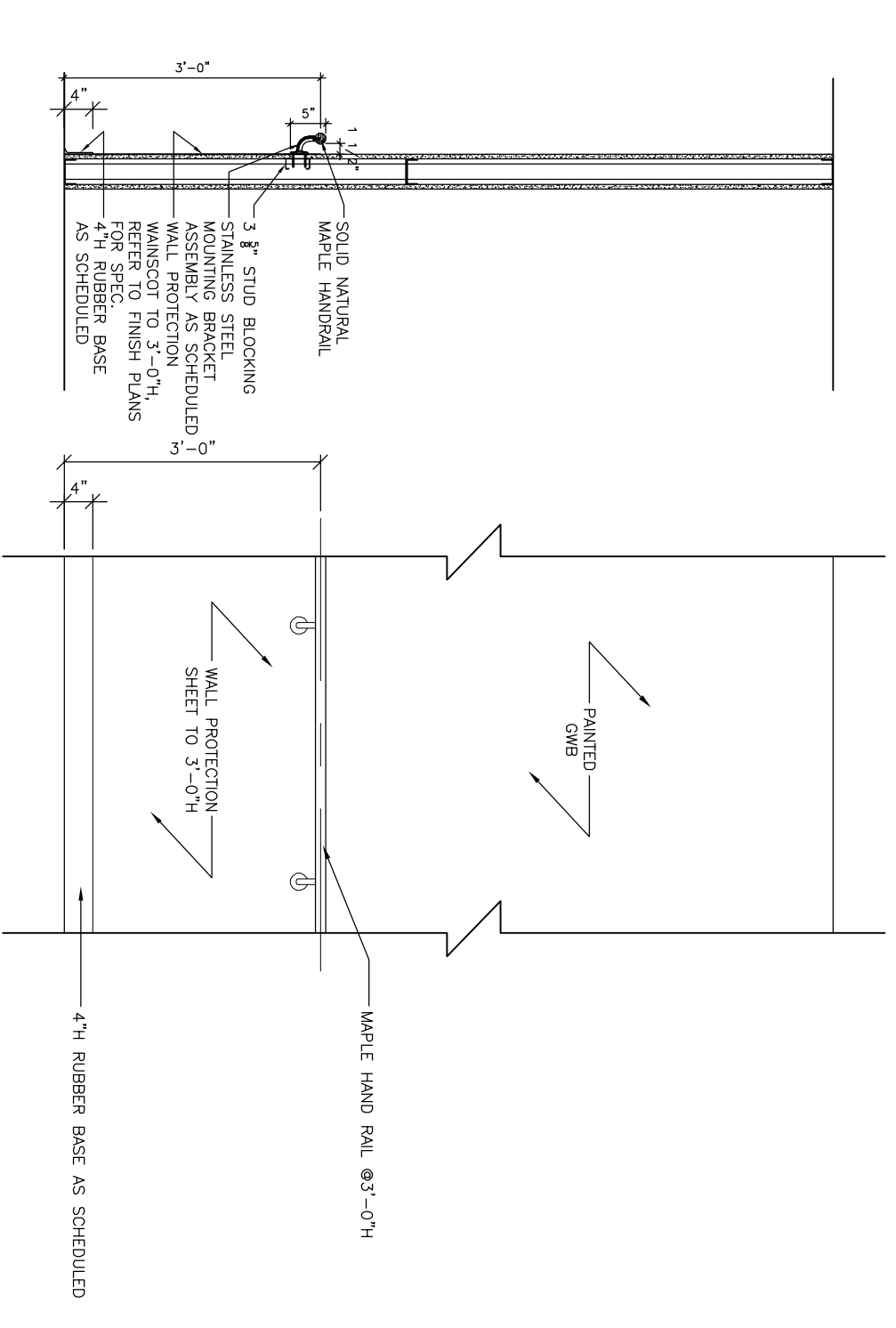
Project Location
 Mercy Health Core
 System of Maine
 FORE RIVER SHORT
 STAY HOSPITAL



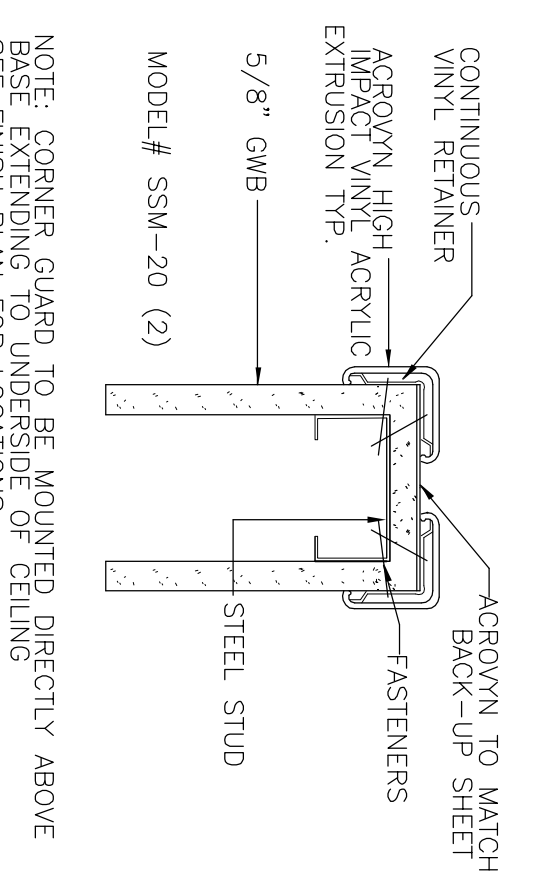
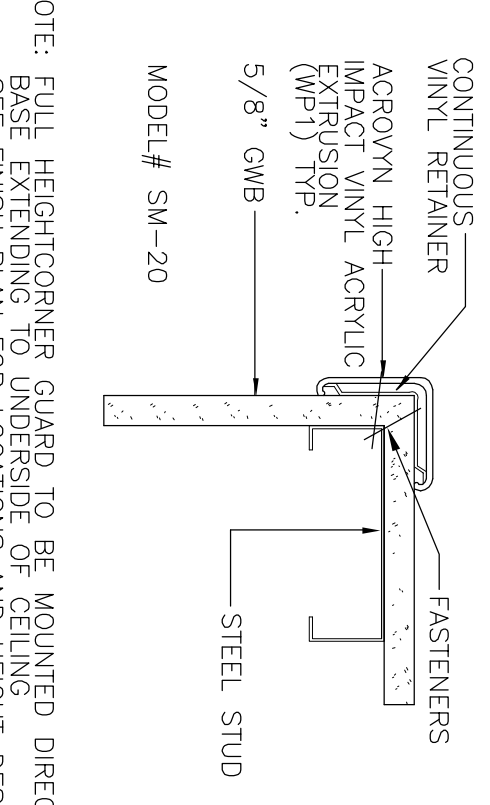
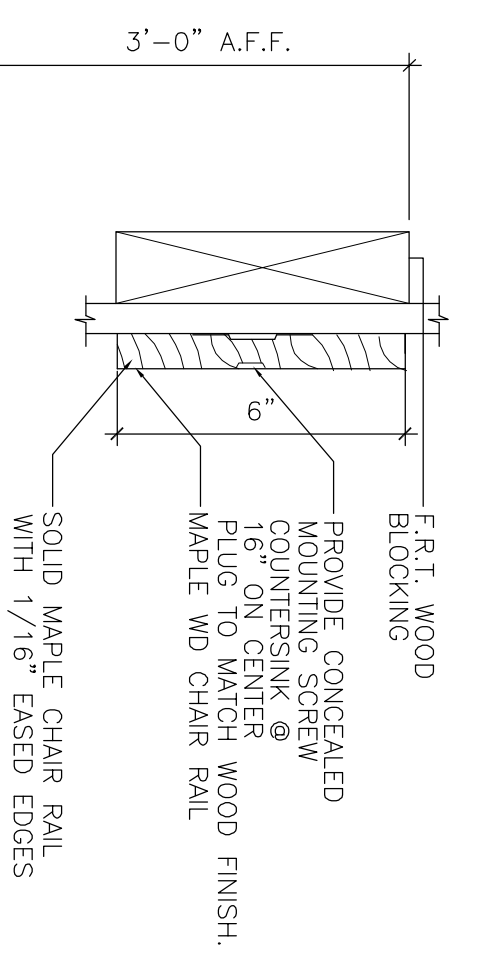
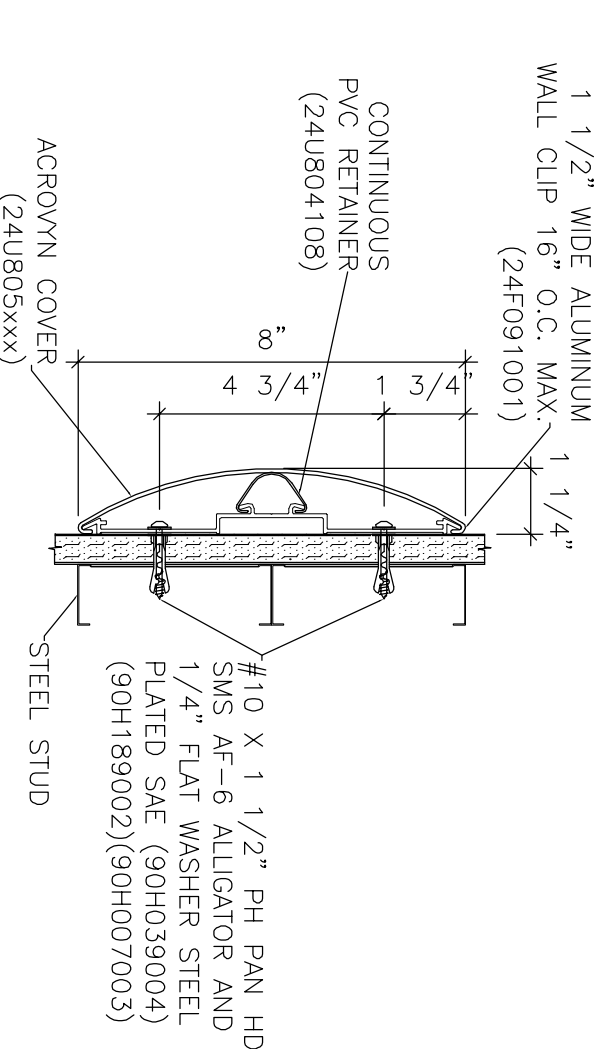
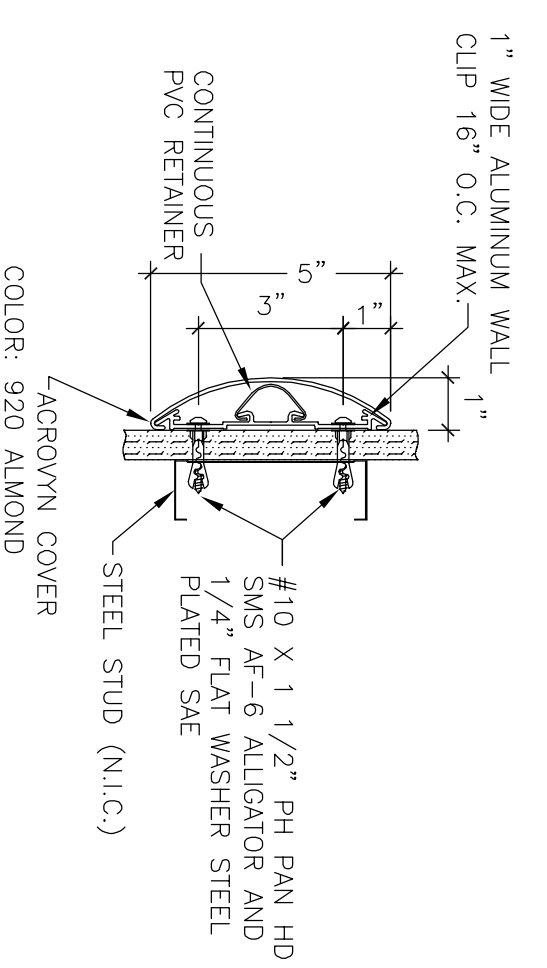
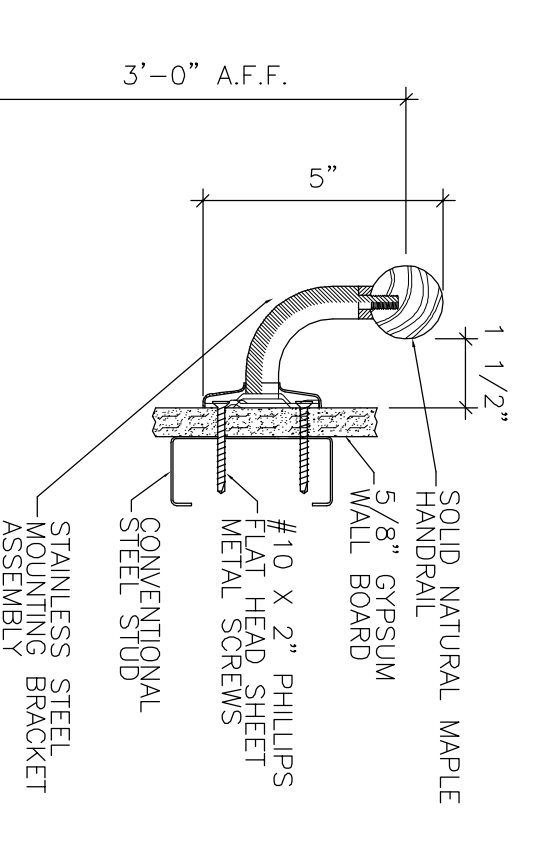
Project Number
 F05-4898

Drawing Title
 Typical Wall Protection Details

A1.25



1 TYPICAL WALL PROTECTION ELEVATIONS
 SCALE : 3"=1'-0"



2 TYPICAL WALL PROTECTION MOUNTING DETAILS
 SCALE : 3"=1'-0"

NOTE: FULL HEIGHT CORNER GUARD TO BE MOUNTED DIRECTLY ABOVE SEE FINISH PLAN FOR LOCATIONS AND HEIGHT DESIGNATION.

NOTE: CORNER GUARD TO BE MOUNTED DIRECTLY ABOVE SEE FINISH PLAN FOR LOCATIONS.