

ROOM FINISH SCHEDULE												
ROOM NUMBER	ROOM NAME	FLOOR	BASE	WALLS			CEILING		ROOM NUMBER	REMARKS		
				NORTH	SOUTH	WEST	MATERIAL	HEIGHT				
				GROUND FLOOR								
S1-1	STAR No. 1	GT1/CPT	WOOD				VWC		S1-1			
S2-1	STAR No. 2	VCT/CPT	VNYL	VWC	VWC	VWC	VWC		S2-1			
	PORTIE COCHERE						VARES					
101	VESTIBULE	GT1/VAT	WOOD	FRESCO	FRESCO			12'-0"	101			
102	SEATING AREA	CPT	WOOD 1				VWC	ACT1	8'-0"	102		
103	VESTIBULE	GT1/VAT	WOOD 1	VWC	VWC	VWC	VWC		12'-0"	103		
104	LOBBY/PANLION	GT	WOOD 1	FRESCO				ACT1/PTD	VARES	104		
105	FIREPLACE & SEATING	CPT	WOOD 1				VWC	ACT1/PTD	VARES	105		
106	BAR	GT/CPT	WOOD 1				VWC	ACT1/PTD	VARES	106		
107	BAR SEATING	CPT	WOOD 1				VWC	ACT1/PTD	VARES	107		
108	CAFE SEATING	CPT	WOOD 1				VWC	ACT1/PTD	VARES	108		
109	BREAKFAST/BUFFET	PT1/PT2	WOOD 1	SEE REM.			FRESCO	ACT1/PTD	VARES	109		
110	MEN'S TOILET	PT3	PT3	CT2/VWC	CT2/VWC	CT 2/VWC	CT 2/VWC	ACT1	8'-0"	110		
111	WOMEN'S TOILET	PT3	PT3	CT2/VWC	CT2/VWC	CT 2/VWC	CT 2/VWC	ACT1	8'-0"	111		
112	ELEVATOR LOBBY	GT1/GT5	WOOD 1	FRESCO			FRESCO	ACT1/PTD	VARES	112		
113	PANTRY	CPT	WOOD 1	VWC	VWC	VWC	VWC	ACT1	8'-0"	113		
114	RECEPTION DESK	CPT	WOOD 1	WOOD			FRESCO	ACT1/PTD	VARES	114		
115	BUSINESS CENTER	CPT	WOOD 1	VWC	VWC	VWC	VWC	ACT1	8'-0"	115		
116	OFFICE	CPT	VNYL	PTD	PTD	PTD	PTD	ACT2	8'-0"	116		
117	OFFICE	CPT	VNYL	PTD	PTD	PTD	PTD	ACT2	8'-0"	117		
118	OFFICES ADMINISTRATION	CPT	VNYL	PTD	PTD	PTD	PTD	ACT2	8'-0"	118		
119	OFFICE	VCT	VNYL	PTD	PTD	PTD	PTD	ACT2	8'-0"	119		
120	CORRIDOR	GT1	WOOD 1	VWC	VWC	VWC	VWC	ACT1	8'-0"	120		
121	KITCHEN	QT1	QT2	EP	EP	EP	EP	ACT3	8'-0"	121		
122	UTILITY CORRIDOR	VCT	VNYL	PTD	PTD	PTD	PTD	ACT2	8'-0"	122		
123	LAUNDRY	VCT	VNYL	PTD	PTD	PTD	PTD	ACT2	8'-0"	123		
124	(NOT USED)											
125	GUEST LAUNDRY	VCT	VNYL	PTD	PTD	PTD	PTD	ACT2	8'-0"	125		
126	CORRIDOR	PT4	WOOD 1	VWC	VWC	VWC	VWC	ACT1	8'-0"	126		
127	ELECTRICAL/TELEPHONE	VCT	VNYL	PTD	PTD	PTD	PTD	GWB	8'-0"	127		
128	ELEVATOR MACHINE ROOM	S CONO	VNYL	PTD	PTD	PTD	PTD	ACT2	8'-0"	128		
129	STORAGE	VCT	VNYL	PTD	PTD	PTD	PTD	EXP		129		
130	GUEST TOILET	PT5	PT5	VWC	VWC	VWC	VWC	ACT2	8'-0"	130		
131	POOL	PT4	PT4	EP	EP	EP	EP	EXP		131		
132	EXERCISE/FITNESS	CPT	VNYL	PTD	PTD	PTD	PTD	ACT2	8'-0"	132		
133	BREAK ROOM	VCT	VNYL	PTD	PTD	PTD	PTD	ACT2	8'-0"	133		
134	POOL/MECHANICAL	S CONO	VNYL	PTD	PTD	PTD	PTD	EXP		134		
135	EMPLOYEE TOILET	CT B	CT 4	PTD	PTD	PTD	PTD	ACT2	8'-0"	135		

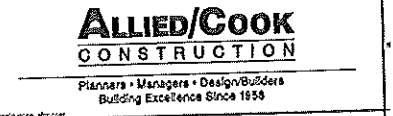
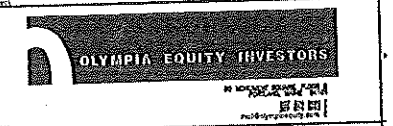
ROOM FINISH SCHEDULE												
ROOM NUMBER	ROOM NAME	FLOOR	BASE	WALLS			CEILING		ROOM NUMBER	REMARKS		
				NORTH	SOUTH	WEST	MATERIAL	HEIGHT				
				SECOND FLOOR								
S1-2	STAR No. 1	CPT	VNYL	PTD	PTD	PTD	PTD		S1-2			
S2-2	STAR No. 2	CPT	VNYL	PTD	PTD	PTD	PTD		S2-2			
200	CORRIDOR	CPT	CB	VWC	VWC	VWC	VWC	GWB/ACT1	VARES	200		
201	GUEST ROOM	CPT	CB	VWC	VWC	VWC	VWC	GWB	7'-8"	201		
201A	TOILET	PT5	PT5	VWC	VWC	VWC	VWC	GWB	7'-8"	201A		
201B	CLOSET	CPT	CB	VWC	VWC	VWC	VWC	GWB	7'-8"	201B		
202	GUEST ROOM	CPT	CB	VWC	VWC	VWC	VWC	GWB	7'-8"	202		
202A	TOILET	PT5	PT5	VWC	VWC	VWC	VWC	GWB	7'-8"	202A		
202B	CLOSET	CPT	CB	VWC	VWC	VWC	VWC	GWB	7'-8"	202B		
203	GUEST ROOM	CPT	CB	VWC	VWC	VWC	VWC	GWB	7'-8"	203		
203A	TOILET	PT5	PT5	VWC	VWC	VWC	VWC	GWB	7'-8"	203A		
203B	CLOSET	CPT	CB	VWC	VWC	VWC	VWC	GWB	7'-8"	203B		
204	GUEST ROOM	CPT	CB	VWC	VWC	VWC	VWC	GWB	7'-8"	204		
204A	TOILET	PT5	PT5	VWC	VWC	VWC	VWC	GWB	7'-8"	204A		
204B	CLOSET	CPT	CB	VWC	VWC	VWC	VWC	GWB	7'-8"	204B		
205	GUEST ROOM	CPT	CB	VWC	VWC	VWC	VWC	GWB	7'-8"	205		
205A	TOILET	PT5	PT5	VWC	VWC	VWC	VWC	GWB	7'-8"	205A		
205B	CLOSET	CPT	CB	VWC	VWC	VWC	VWC	GWB	7'-8"	205B		
206	GUEST ROOM	CPT	CB	VWC	VWC	VWC	VWC	GWB	7'-8"	206		
206A	TOILET	PT5	PT5	VWC	VWC	VWC	VWC	GWB	7'-8"	206A		
206B	CLOSET	CPT	CB	VWC	VWC	VWC	VWC	GWB	7'-8"	206B		
207	GUEST ROOM	CPT	CB	VWC	VWC	VWC	VWC	GWB	7'-8"	207		
207A	TOILET	PT5	PT5	VWC	VWC	VWC	VWC	GWB	7'-8"	207A		
207B	CLOSET	CPT	CB	VWC	VWC	VWC	VWC	GWB	7'-8"	207B		
208	GUEST ROOM	CPT	CB	VWC	VWC	VWC	VWC	GWB	7'-8"	208		
208A	TOILET	PT5	PT5	VWC	VWC	VWC	VWC	GWB	7'-8"	208A		
208B	CLOSET	CPT	CB	VWC	VWC	VWC	VWC	GWB	7'-8"	208B		
209	BOARD ROOM	CPT	CB	VWC	VWC	VWC	VWC	GWB/ACT1	VARES	209		
210	GUEST ROOM	CPT	CB	VWC	VWC	VWC	VWC	GWB	7'-8"	210		
210A	TOILET	PT5	PT5	VWC	VWC	VWC	VWC	GWB	7'-8"	210A		
210B	CLOSET	CPT	CB	VWC	VWC	VWC	VWC	GWB	7'-8"	210B		
211	HOUSEKEEPING	VCT	RB	PTD	PTD	PTD	PTD	ACT2	8'-0"	211		
212	GUEST ROOM	CPT	CB	VWC	VWC	VWC	VWC	GWB	7'-8"	212		
212A	TOILET	PT5	PT5	VWC	VWC	VWC	VWC	GWB	7'-8"	212A		
212B	CLOSET	CPT	CB	VWC	VWC	VWC	VWC	GWB	7'-8"	212B		
213	TELEPHONE/ELECTRICAL	VCT	RB	PTD	PTD	PTD	PTD	EXP		213		
214	GUEST ROOM	CPT	CB	VWC	VWC	VWC	VWC	GWB	7'-8"	214		
214A	TOILET	PT5	PT5	VWC	VWC	VWC	VWC	GWB	7'-8"	214A		
214B	CLOSET	CPT	CB	VWC	VWC	VWC	VWC	GWB	7'-8"	214B		
215	ELEVATOR LOBBY	CPT	CB	VWC	VWC	VWC	VWC		VARES	215		
216	GUEST ROOM	CPT	CB	VWC	VWC	VWC	VWC	GWB	7'-8"	216		
216A	TOILET	PT5	PT5	VWC	VWC	VWC	VWC	GWB	7'-8"	216A		
216B	CLOSET	CPT	CB	VWC	VWC	VWC	VWC	GWB	7'-8"	216B		
217	VENDING	PT4	PT4	VWC	VWC	VWC	VWC	ACT1	7'-6"/8'-4"	217		
218	GUEST ROOM	CPT	CB	VWC	VWC	VWC	VWC	GWB	8'-4"	218		
218A	TOILET	PT5	PT5	VWC	VWC	VWC	VWC	GWB	7'-6"/8'-4"	218A		
218B	CLOSET	CPT	CB	VWC	VWC	VWC	VWC	GWB	7'-6"	218B		
219	UN-SEX TOILET	PT5	PT5	VWC	VWC	VWC	VWC	ACT1	8'-0"	219		
220	GUEST ROOM	CPT	CB	VWC	VWC	VWC	VWC	GWB	7'-6"/8'-4"	220		
220A	TOILET	PT5	PT5	VWC	VWC	VWC	VWC	GWB	7'-6"	220A		
220B	CLOSET	CPT	CB	VWC	VWC	VWC	VWC	GWB	7'-6"	220B		
221	MEETING ROOM	CPT	CB	VWC	VWC	VWC	VWC	GWB/ACT1	VARES	221		
222	GUEST ROOM	CPT	CB	VWC	VWC	VWC	VWC	GWB	7'-6"/8'-4"	222		
222A	TOILET	PT5	PT5	VWC	VWC	VWC	VWC	GWB	7'-6"	222A		
222B	CLOSET	CPT	CB	VWC	VWC	VWC	VWC	GWB	7'-6"	222B		
223	GUEST ROOM	CPT	CB	VWC	VWC	VWC	VWC	GWB	7'-6"/8'-4"	223		
223A	TOILET	PT5	PT5	VWC	VWC	VWC	VWC	GWB	7'-6"	223A		

ROOM FINISH SCHEDULE												
ROOM NUMBER	ROOM NAME	FLOOR	BASE	WALLS			CEILING		ROOM NUMBER	REMARKS		
				NORTH	SOUTH	WEST	MATERIAL	HEIGHT				
				SECOND AND THIRD FLOORS								
223B	CLOSET	CPT	CB	VWC	VWC	VWC	VWC	GWB	7'-8"	223B		
224	GUEST ROOM	CPT	CB	VWC	VWC	VWC	VWC	GWB	7'-8"	224		
224A	TOILET	PT5	PT5	VWC	VWC	VWC	VWC	GWB	7'-8"	224A		
224B	CLOSET	CPT	CB	VWC	VWC	VWC	VWC	GWB	7'-8"	224B		
225	GUEST ROOM	CPT	CB	VWC	VWC	VWC	VWC	GWB	7'-6"/8'-4"	225		
225A	TOILET	PT5	PT5	VWC	VWC	VWC	VWC	GWB	7'-8"	225A		
225B	CLOSET	CPT	CB	VWC	VWC	VWC	VWC	GWB	7'-6"/8'-4"	225B		
226	GUEST ROOM	CPT	CB	VWC	VWC	VWC	VWC	GWB	7'-8"	226		
226A	TOILET	PT5	PT5	VWC	VWC	VWC	VWC	GWB	7'-8"	226A		
226B	CLOSET	CPT	CB	VWC	VWC	VWC	VWC	GWB	7'-8"	226B		
227	GUEST ROOM	CPT	CB	VWC	VWC	VWC	VWC	GWB	7'-6"/8'-4"	227		
227A	TOILET	PT5	PT5	VWC	VWC	VWC	VWC	GWB	7'-8"	227A		
227B	CLOSET	CPT	CB	VWC	VWC	VWC	VWC	GWB	7'-6"/8'-4"	227B		
228	GUEST ROOM	CPT	CB	VWC	VWC	VWC	VWC	GWB	7'-8"	228		
228A	TOILET	PT5	PT5	VWC	VWC	VWC	VWC	GWB	7'-8"	228A		
228B	CLOSET	CPT	CB	VWC	VWC	VWC	VWC	GWB	7'-6"/8'-4"	228B		
229	GUEST ROOM	CPT	CB	VWC	VWC	VWC	VWC	GWB	7'-6"/8'-4"	229		
229A	TOILET	PT5	PT5	VWC	VWC	VWC	VWC	GWB	7'-8"	229A		
229B	CLOSET	CPT	CB	VWC	VWC	VWC	VWC	GWB	7'-6"/8'-4"	229B		
230	GUEST ROOM	CPT	CB	VWC	VWC	VWC	VWC	GWB	7'-6"/8'-4"	230		
230A	TOILET	PT5	PT5	VWC	VWC	VWC	VWC	GWB	7'-8"	230A		
230B	CLOSET	CPT	CB	VWC	VWC	VWC	VWC	GWB	7'-8"	230B		
230C	GUEST ROOM	CPT	CB	VWC	VWC	VWC	VWC	GWB	7'-6"/8'-4"	230C		
231	A.D.A. TOILET	PT5	PT5	VWC	VWC	VWC	VWC	GWB/ACT1	VARES	231		
232	CORRIDOR	CPT	CB	VWC	VWC	VWC	VWC	GWB	7'-8"	232		
51-3	STAR No. 1	CPT	VNYL	PTD	PTD	PTD	PTD			51-3		
52-3	STAR No. 2	CPT	VNYL	PTD	PTD	PTD	PTD			52-3		
300	CORRIDOR	CPT	CB	VWC	VWC	VWC	VWC	GWB	VARES	300		
301	GUEST ROOM	CPT	CB	VWC	VWC	VWC	VWC	GWB	7'-8"	301		

ROOM FINISH SCHEDULE												
ROOM NUMBER	ROOM NAME	FLOOR	BASE	WALLS			CEILING		ROOM NUMBER	REMARKS		
				NORTH	SOUTH	WEST	MATERIAL	HEIGHT				
FOURTH FLOOR												
51-4	STAR No. 1	CPT	VNVL	PTD	PTD	PTD	PTD	51-4				
52-4	STAR No. 2	CPT	VNVL	PTD	PTD	PTD	PTD	52-4				
400	CORRIDOR	CPT	CB	VWC	VWC	VWC	VWC	GWB/ACT1	VARES	400		
401	GUEST ROOM	CPT	CB	VWC	VWC	VWC	VWC	GWB	7'-6 7/8'-4	401		
401A	TOILET	PTB	PTB	VWC	VWC	VWC	VWC	GWB	7'-6"	401A		
401B	CLOSET	CPT	CB	VWC	VWC	VWC	VWC	GWB	7'-6"	401B		
402	GUEST ROOM	CPT	CB	VWC	VWC	VWC	VWC	GWB	7'-6 7/8'-4	402		
402A	TOILET	PTB	PTB	VWC	VWC	VWC	VWC	GWB	7'-6"	402A		
402B	CLOSET	CPT	CB	VWC	VWC	VWC	VWC	GWB	7'-6"	402B		
403	GUEST ROOM	CPT	CB	VWC	VWC	VWC	VWC	GWB	7'-6 7/8'-4	403		
403A	TOILET	PTB	PTB	VWC	VWC	VWC	VWC	GWB	7'-6"	403A		
403B	CLOSET	CPT	CB	VWC	VWC	VWC	VWC	GWB	7'-6"	403B		
404	GUEST ROOM	CPT	CB	VWC	VWC	VWC	VWC	GWB	7'-6 7/8'-4	404		
404A	TOILET	PTB	PTB	VWC	VWC	VWC	VWC	GWB	7'-6"	404A		
404B	CLOSET	CPT	CB	VWC	VWC	VWC	VWC	GWB	7'-6"	404B		
405	GUEST ROOM	CPT	CB	VWC	VWC	VWC	VWC	GWB	7'-6 7/8'-4	405		
405A	TOILET	PTB	PTB	VWC	VWC	VWC	VWC	GWB	7'-6"	405A		
405B	CLOSET	CPT	CB	VWC	VWC	VWC	VWC	GWB	7'-6"	405B		
406	GUEST ROOM	CPT	CB	VWC	VWC	VWC	VWC	GWB	7'-6 7/8'-4	406		
406A	TOILET	PTB	PTB	VWC	VWC	VWC	VWC	GWB	7'-6"	406A		
406B	CLOSET	CPT	CB	VWC	VWC	VWC	VWC	GWB	7'-6"	406B		
407	GUEST ROOM	CPT	CB	VWC	VWC	VWC	VWC	GWB	7'-6 7/8'-4	407		
407A	TOILET	PTB	PTB	VWC	VWC	VWC	VWC	GWB	7'-6"	407A		
407B	CLOSET	CPT	CB	VWC	VWC	VWC	VWC	GWB	7'-6"	407B		
408	GUEST ROOM	CPT	CB	VWC	VWC	VWC	VWC	GWB	7'-6 7/8'-4	408		
408A	TOILET	PTB	PTB	VWC	VWC	VWC	VWC	GWB	7'-6"	408A		
408B	CLOSET	CPT	CB	VWC	VWC	VWC	VWC	GWB	7'-6"	408B		
409	GUEST ROOM	CPT	CB	VWC	VWC	VWC	VWC	GWB	7'-6 7/8'-4	409		
409A	TOILET	PTB	PTB	VWC	VWC	VWC	VWC	GWB	7'-6"	409A		
409B	CLOSET	CPT	CB	VWC	VWC	VWC	VWC	GWB	7'-6"	409B		
410	GUEST ROOM	CPT	CB	VWC	VWC	VWC	VWC	GWB	7'-6 7/8'-4	410		
410A	TOILET	PTB	PTB	VWC	VWC	VWC	VWC	GWB	7'-6"	410A		
410B	CLOSET	CPT	CB	VWC	VWC	VWC	VWC	GWB	7'-6"	410B		
411	HOUSEKEEPING	VCT	VNVL	VWC	VWC	VWC	VWC	ACT2	8'-0"	411		
412	GUEST ROOM	CPT	CB	VWC	VWC	VWC	VWC	GWB	7'-6 7/8'-4	412		
412A	TOILET	PTB	PTB	VWC	VWC	VWC	VWC	GWB	7'-6"	412A		
412B	CLOSET	CPT	CB	VWC	VWC	VWC	VWC	GWB	7'-6"	412B		
413	TELEPHONE/ELECTRICAL	VCT	VNVL	VWC	VWC	VWC	VWC	EXP	413			
414	GUEST ROOM	CPT	CB	VWC	VWC	VWC	VWC	GWB	7'-6 7/8'-4	414		
414A	TOILET	PTB	PTB	VWC	VWC	VWC	VWC	GWB	7'-6"	414A		
414B	CLOSET	CPT	CB	VWC	VWC	VWC	VWC	GWB	7'-6"	414B		
415	ELEVATOR LOBBY	WOOD/CPT	CB	VWC	VWC	VWC	VWC	GWB/ACT1	VARES	415		
416	GUEST ROOM	CPT	CB	VWC	VWC	VWC	VWC	GWB	7'-6 7/8'-4	416		
416A	TOILET	PTB	PTB	VWC	VWC	VWC	VWC	GWB	7'-6"	416A		
416B	CLOSET	CPT	CB	VWC	VWC	VWC	VWC	GWB	7'-6"	416B		
417	VENDING	PTB	PTB	VWC	VWC	VWC	VWC	ACT1	8'-0"	417		
418	GUEST ROOM	CPT	CB	VWC	VWC	VWC	VWC	GWB	7'-6 7/8'-4	418		
418A	TOILET	PTB	PTB	VWC	VWC	VWC	VWC	GWB	7'-6"	418A		
418B	CLOSET	CPT	CB	VWC	VWC	VWC	VWC	GWB	7'-6"	418B		
419	GUEST ROOM	CPT	CB	VWC	VWC	VWC	VWC	GWB	7'-6 7/8'-4	419		
419A	TOILET	PTB	PTB	VWC	VWC	VWC	VWC	GWB	7'-6"	419A		
419B	CLOSET	CPT	CB	VWC	VWC	VWC	VWC	GWB	7'-6"	419B		
420	GUEST ROOM	CPT	CB	VWC	VWC	VWC	VWC	GWB	7'-6 7/8'-4	420		
420A	TOILET	PTB	PTB	VWC	VWC	VWC	VWC	GWB	7'-6"	420A		
420B	CLOSET	CPT	CB	VWC	VWC	VWC	VWC	GWB	7'-6"	420B		
421	GUEST ROOM	CPT	CB	VWC	VWC	VWC	VWC	GWB	7'-6 7/8'-4	421		
421A	TOILET	PTB	PTB	VWC	VWC	VWC	VWC	GWB	7'-6"	421A		
421B	CLOSET	CPT	CB	VWC	VWC	VWC	VWC	GWB	7'-6"	421B		
422	GUEST ROOM	CPT	CB	VWC	VWC	VWC	VWC	GWB	7'-6 7/8'-4	422		
422A	TOILET	PTB	PTB	VWC	VWC	VWC	VWC	GWB	7'-6"	422A		
422B	CLOSET	CPT	CB	VWC	VWC	VWC	VWC	GWB	7'-6"	422B		
423	GUEST ROOM	CPT	CB	VWC	VWC	VWC	VWC	GWB	7'-6 7/8'-4	423		
423A	TOILET	PTB	PTB	VWC	VWC	VWC	VWC	GWB	7'-6"	423A		
423B	CLOSET	CPT	CB	VWC	VWC	VWC	VWC	GWB	7'-6"	423B		
424	GUEST ROOM	CPT	CB	VWC	VWC	VWC	VWC	GWB	7'-6 7/8'-4	424		
424A	TOILET	PTB	PTB	VWC	VWC	VWC	VWC	GWB	7'-6"	424A		
424B	CLOSET	CPT	CB	VWC	VWC	VWC	VWC	GWB	7'-6"	424B		
425	GUEST ROOM	CPT	CB	VWC	VWC	VWC	VWC	GWB	7'-6 7/8'-4	425		
425A	TOILET	PTB	PTB	VWC	VWC	VWC	VWC	GWB	7'-6"	425A		
425B	CLOSET	CPT	CB	VWC	VWC	VWC	VWC	GWB	7'-6"	425B		
426	GUEST ROOM	CPT	CB	VWC	VWC	VWC	VWC	GWB	7'-6 7/8'-4	426		
426A	TOILET	PTB	PTB	VWC	VWC	VWC	VWC	GWB	7'-6"	426A		
426B	CLOSET	CPT	CB	VWC	VWC	VWC	VWC	GWB	7'-6"	426B		
428	GUEST ROOM	CPT	CB	VWC	VWC	VWC	VWC	GWB	7'-6 7/8'-4	428		
428A	TOILET	PTB	PTB	VWC	VWC	VWC	VWC	GWB	7'-6"	428A		
428B	CLOSET	CPT	CB	VWC	VWC	VWC	VWC	GWB	7'-6"	428B		
430	GUEST ROOM	CPT	CB	VWC	VWC	VWC	VWC	GWB	7'-6 7/8'-4	430		
430A	TOILET	PTB	PTB	VWC	VWC	VWC	VWC	GWB	7'-6"	430A		
430B	CLOSET	CPT	CB	VWC	VWC	VWC	VWC	GWB	7'-6"	430B		
432	A.D.A. GUEST ROOM	CPT	CB	VWC	VWC	VWC	VWC	GWB	7'-6 7/8'-4	432		
432A	A.D.A. TOILET	PTB	PTB	VWC	VWC	VWC	VWC	GWB	7'-6"	432A		
432B	CLOSET	CPT	CB	VWC	VWC	VWC	VWC	GWB	7'-6"	432B		
434	CORRIDOR	CPT	CB	VWC	VWC	VWC	VWC	GWB/ACT1	VARES	434		

ROOM FINISH SCHEDULE												
ROOM NUMBER	ROOM NAME	FLOOR	BASE	WALLS			CEILING		ROOM NUMBER	REMARKS		
				NORTH	SOUTH	EAST	WEST	MATERIAL			HEIGHT	
FIFTH FLOOR												
51-5	STAR No. 1	CPT	VNVL	PTD	PTD	PTD	PTD	51-5				
52-5	STAR No. 2	CPT	VNVL	PTD	PTD	PTD	PTD	52-5				
500	CORRIDOR	CPT	CB	VWC	VWC	VWC	VWC	GWB	VARES	500		
501	GUEST ROOM	CPT	CB	VWC	VWC	VWC	VWC	GWB	7'-6 7/8'-4	501		
501A	TOILET	PTB	PTB	VWC	VWC	VWC	VWC	GWB	7'-6"	501A		
501B	CLOSET	CPT	CB	VWC	VWC	VWC	VWC	GWB	7'-6"	501B		
502	GUEST ROOM	CPT	CB	VWC	VWC	VWC	VWC	GWB	7'-6 7/8'-4	502		
502A	TOILET	PTB	PTB	VWC	VWC	VWC	VWC	GWB	7'-6"	502A		
502B	CLOSET	CPT	CB	VWC	VWC	VWC	VWC	GWB	7'-6"	502B		
503	GUEST ROOM	CPT	CB	VWC	VWC	VWC	VWC	GWB	7'-6 7/8'-4	503		
503A	TOILET	PTB	PTB	VWC	VWC	VWC	VWC	GWB	7'-6"	503A		
503B	CLOSET	CPT	CB	VWC	VWC	VWC	VWC	GWB	7'-6"	503B		
504	GUEST ROOM	CPT	CB	VWC	VWC	VWC	VWC	GWB	7'-6 7/8'-4	504		
504A	TOILET	PTB	PTB	VWC	VWC	VWC	VWC	GWB	7'-6"	504A		
504B	CLOSET	CPT	CB	VWC	VWC	VWC	VWC	GWB	7'-6"	504B		
505	GUEST ROOM	CPT	CB	VWC	VWC	VWC	VWC	GWB	7'-6 7/8'-4	505		
505A	TOILET	PTB	PTB	VWC	VWC	VWC	VWC	GWB	7'-6"	505A		
505B	CLOSET	CPT	CB	VWC	VWC	VWC	VWC	GWB	7'-6"	505B		
506	GUEST ROOM	CPT	CB	VWC	VWC	VWC	VWC	GWB	7'-6 7/8'-4	506		
506A	TOILET	PTB	PTB	VWC	VWC	VWC	VWC	GWB	7'-6"	506A		
506B	CLOSET	CPT	CB	VWC	VWC	VWC	VWC	GWB	7'-6"	506B		
507	GUEST ROOM	CPT	CB	VWC	VWC	VWC	VWC	GWB	7'-6 7/8'-4	507		
507A	TOILET	PTB	PTB	VWC	VWC	VWC	VWC	GWB	7'-6"	507A		
507B	CLOSET	CPT	CB	VWC	VWC	VWC	VWC	GWB	7'-6"	507B		
508	GUEST ROOM	CPT	CB	VWC	VWC	VWC	VWC	GWB	7'-6 7/8'-4	508		
508A	TOILET	PTB	PTB	VWC	VWC	VWC	VWC	GWB	7'-6"	508A		
508B	CLOSET	CPT	CB	VWC	VWC	VWC	VWC	GWB	7'-6"	508B		
509	GUEST ROOM	CPT	CB	VWC	VWC	VWC	VWC	GWB	7'-6 7/8'-4	509		
509A	TOILET	PTB	PTB	VWC	VWC	VWC	VWC	GWB	7'-6"	509A		
509B	CLOSET	CPT	CB	VWC	VWC	VWC	VWC	GWB	7'-6"	509B		
510	GUEST ROOM	CPT	CB	VWC	VWC	VWC	VWC	GWB	7'-6 7/8'-4	510		
510A	TOILET	PTB	PTB	VWC	VWC	VWC	VWC	GWB	7'-6"	510A		
510B	CLOSET	CPT	CB	VWC	VWC	VWC	VWC	GWB	7'-6"	510B		
511	HOUSEKEEPING	VCT	VNVL	VWC	VWC	VWC	VWC	ACT2	8'-0"	511		
512	GUEST ROOM	CPT	CB	VWC	VWC	VWC	VWC	GWB	7'-6 7/8'-4	512		
512A	TOILET	PTB	PTB	VWC	VWC	VWC	VWC	GWB	7'-6"	512A		
512B	CLOSET	CPT	CB	VWC	VWC	VWC	VWC	GWB	7'-6"	512B		
513	TELEPHONE/ELECTRICAL	VCT	VNVL	VWC	VWC	VWC	VWC	EXP	513			
514	GUEST ROOM	CPT	CB	VWC	VWC	VWC	VWC	GWB	7'-6 7/8'-4	514		
514A	TOILET	PTB	PTB	VWC	VWC	VWC	VWC	GWB	7'-6"	514A		
514B	CLOSET	CPT	CB	VWC	VWC	VWC	VWC	GWB	7'-6"	514B		
515	ELEVATOR LOBBY	WOOD/CPT	CB	VWC	VWC	VWC	VWC	GWB	VARES	515		
516	GUEST ROOM											

ROOM FINISH SCHEDULE												
ROOM NUMBER	ROOM NAME	FLOOR	BASE	WALLS				CEILING		ROOM NUMBER	REMARKS	
				NORTH	SOUTH	EAST	WEST	MATERIAL	HEIGHT			
SIXTH FLOOR												
S1-8	STAIR No. 1		CPT	VNYL	PTD	PTD	PTD	PTD		S1-8		
S2-8	STAIR No. 2		CPT	VNYL	PTD	PTD	PTD	PTD		S2-8		
600	CORRIDOR		CPT	CPT	VWC	VWC	VWC	VWC	GWB	VARES	600	
601	GUEST ROOM		CPT	CP	VWC	VWC	VWC	VWC	GWB	7'-6"	601 * TUB SURROUND CT4, (ADD ALT. 1 GRANITE SURROUND)	
601A	TOILET		PT5	PT5	VWC	VWC	VWC	VWC	GWB	7'-6"	601A	
601B	CLOSET		CPT	CP	VWC	VWC	VWC	VWC	GWB	7'-6"	601B	
602	GUEST ROOM		CPT	CP	VWC	VWC	VWC	VWC	GWB	7'-6"	602 * TUB SURROUND CT4, (ADD ALT. 1 GRANITE SURROUND)	
602A	TOILET		PT5	PT5	VWC	VWC	VWC	VWC	GWB	7'-6"	602A	
602B	CLOSET		CPT	CP	VWC	VWC	VWC	VWC	GWB	7'-6"	602B	
603	GUEST ROOM		CPT	CP	VWC	VWC	VWC	VWC	GWB	7'-6"	603 * TUB SURROUND CT4, (ADD ALT. 1 GRANITE SURROUND)	
603A	TOILET		PT5	PT5	VWC	VWC	VWC	VWC	GWB	7'-6"	603A	
603B	CLOSET		CPT	CP	VWC	VWC	VWC	VWC	GWB	7'-6"	603B	
604	GUEST ROOM		CPT	CP	VWC	VWC	VWC	VWC	GWB	7'-6"	604 * TUB SURROUND CT4, (ADD ALT. 1 GRANITE SURROUND)	
604A	TOILET		PT5	PT5	VWC	VWC	VWC	VWC	GWB	7'-6"	604A	
604B	CLOSET		CPT	CP	VWC	VWC	VWC	VWC	GWB	7'-6"	604B	
605	GUEST ROOM		CPT	CP	VWC	VWC	VWC	VWC	GWB	7'-6"	605 * TUB SURROUND CT4, (ADD ALT. 1 GRANITE SURROUND)	
605A	TOILET		PT5	PT5	VWC	VWC	VWC	VWC	GWB	7'-6"	605A	
605B	CLOSET		CPT	CP	VWC	VWC	VWC	VWC	GWB	7'-6"	605B	
606	GUEST ROOM		CPT	CP	VWC	VWC	VWC	VWC	GWB	7'-6"	606 * TUB SURROUND CT4, (ADD ALT. 1 GRANITE SURROUND)	
606A	TOILET		PT5	PT5	VWC	VWC	VWC	VWC	GWB	7'-6"	606A	
606B	CLOSET		CPT	CP	VWC	VWC	VWC	VWC	GWB	7'-6"	606B	
607	GUEST ROOM		CPT	CP	VWC	VWC	VWC	VWC	GWB	7'-6"	607 * TUB SURROUND CT4, (ADD ALT. 1 GRANITE SURROUND)	
607A	TOILET		PT5	PT5	VWC	VWC	VWC	VWC	GWB	7'-6"	607A	
607B	CLOSET		CPT	CP	VWC	VWC	VWC	VWC	GWB	7'-6"	607B	
608	GUEST ROOM		CPT	CP	VWC	VWC	VWC	VWC	GWB	7'-6"	608 * TUB SURROUND CT4, (ADD ALT. 1 GRANITE SURROUND)	
608A	TOILET		PT5	PT5	VWC	VWC	VWC	VWC	GWB	7'-6"	608A	
608B	CLOSET		CPT	CP	VWC	VWC	VWC	VWC	GWB	7'-6"	608B	
609	GUEST ROOM		CPT	CP	VWC	VWC	VWC	VWC	GWB	7'-6"	609 * TUB SURROUND CT4, (ADD ALT. 1 GRANITE SURROUND)	
609A	TOILET		PT5	PT5	VWC	VWC	VWC	VWC	GWB	7'-6"	609A	
609B	CLOSET		CPT	CP	VWC	VWC	VWC	VWC	GWB	7'-6"	609B	
610	GUEST ROOM		CPT	CP	VWC	VWC	VWC	VWC	GWB	7'-6"	610 * TUB SURROUND CT4, (ADD ALT. 1 GRANITE SURROUND)	
610A	TOILET		PT5	PT5	VWC	VWC	VWC	VWC	GWB	7'-6"	610A	
610B	CLOSET		CPT	CP	VWC	VWC	VWC	VWC	GWB	7'-6"	610B	
611	HOUSEKEEPING		VCT	VNYL	PTD	PTD	PTD	PTD	ACT2	8'-0"	611	
612	GUEST ROOM		CPT	CP	VWC	VWC	VWC	VWC	GWB	7'-6"	612 * TUB SURROUND CT4, (ADD ALT. 1 GRANITE SURROUND)	
612A	TOILET		PT5	PT5	VWC	VWC	VWC	VWC	GWB	7'-6"	612A	
612B	CLOSET		CPT	CP	VWC	VWC	VWC	VWC	GWB	7'-6"	612B	
613	TELEPHONE/ELECTRICAL		VCT	VNYL	PTD	PTD	PTD	PTD		EXP		
614	GUEST ROOM		CPT	CP	VWC	VWC	VWC	VWC	GWB	7'-6"	614 * TUB SURROUND CT4, (ADD ALT. 1 GRANITE SURROUND)	
614A	TOILET		PT5	PT5	VWC	VWC	VWC	VWC	GWB	7'-6"	614A	
614B	CLOSET		CPT	CP	VWC	VWC	VWC	VWC	GWB	7'-6"	614B	
615	ELEVATOR LOBBY		WOOD/CPT	CP	VWC	VWC	VWC	VWC	GWB	7'-6"	615	
616	GUEST ROOM		CPT	CP	VWC	VWC	VWC	VWC	GWB	7'-6"	616 * TUB SURROUND CT4, (ADD ALT. 1 GRANITE SURROUND)	
616A	TOILET		PT5	PT5	VWC	VWC	VWC	VWC	GWB	7'-6"	616A	
616B	CLOSET		CPT	CP	VWC	VWC	VWC	VWC	GWB	7'-6"	616B	
617	VENDING		PT4	PT4	VWC	VWC	VWC	VWC	ACT1	7'-6"	617	
618	GUEST SUITE		CPT	CP	VWC	VWC	VWC	VWC	GWB	7'-6"	618 * TUB SURROUND CT4, (ADD ALT. 1 GRANITE SURROUND)	
618A	TOILET		PT5	PT5	VWC	VWC	VWC	VWC	GWB	7'-6"	618A	
618B	CLOSET		CPT	CP	VWC	VWC	VWC	VWC	GWB	7'-6"	618B	
619	GUEST ROOM		CPT	CP	VWC	VWC	VWC	VWC	GWB	7'-6"	619 * TUB SURROUND CT4, (ADD ALT. 1 GRANITE SURROUND)	
619A	TOILET		PT5	PT5	VWC	VWC	VWC	VWC	GWB	7'-6"	619A	
619B	CLOSET		CPT	CP	VWC	VWC	VWC	VWC	GWB	7'-6"	619B	
620	GUEST ROOM		CPT	CP	VWC	VWC	VWC	VWC	GWB	7'-6"	620 * TUB SURROUND CT4, (ADD ALT. 1 GRANITE SURROUND)	
620A	TOILET		PT5	PT5	VWC	VWC	VWC	VWC	GWB	7'-6"	620A	
620B	CLOSET		CPT	CP	VWC	VWC	VWC	VWC	GWB	7'-6"	620B	
621	GUEST ROOM		CPT	CP	VWC	VWC	VWC	VWC	GWB	7'-6"	621 * TUB SURROUND CT4, (ADD ALT. 1 GRANITE SURROUND)	
621A	TOILET		PT5	PT5	VWC	VWC	VWC	VWC	GWB	7'-6"	621A	
621B	CLOSET		CPT	CP	VWC	VWC	VWC	VWC	GWB	7'-6"	621B	
622	GUEST ROOM		CPT	CP	VWC	VWC	VWC	VWC	GWB	7'-6"	622 * TUB SURROUND CT4, (ADD ALT. 1 GRANITE SURROUND)	
622A	TOILET		PT5	PT5	VWC	VWC	VWC	VWC	GWB	7'-6"	622A	
622B	CLOSET		CPT	CP	VWC	VWC	VWC	VWC	GWB	7'-6"	622B	
623	GUEST ROOM		CPT	CP	VWC	VWC	VWC	VWC	GWB	7'-6"	623 * TUB SURROUND CT4, (ADD ALT. 1 GRANITE SURROUND)	
623A	TOILET		PT5	PT5	VWC	VWC	VWC	VWC	GWB	7'-6"	623A	
623B	CLOSET		CPT	CP	VWC	VWC	VWC	VWC	GWB	7'-6"	623B	
624	GUEST ROOM		CPT	CP	VWC	VWC	VWC	VWC	GWB	7'-6"	624 * TUB SURROUND CT4, (ADD ALT. 1 GRANITE SURROUND)	
624A	TOILET		PT5	PT5	VWC	VWC	VWC	VWC	GWB	7'-6"	624A	
624B	CLOSET		CPT	CP	VWC	VWC	VWC	VWC	GWB	7'-6"	624B	
625	GUEST ROOM		CPT	CP	VWC	VWC	VWC	VWC	GWB	7'-6"	625 * TUB SURROUND CT4, (ADD ALT. 1 GRANITE SURROUND)	
625A	TOILET		PT5	PT5	VWC	VWC	VWC	VWC	GWB	7'-6"	625A	
625B	CLOSET		CPT	CP	VWC	VWC	VWC	VWC	GWB	7'-6"	625B	
626	GUEST ROOM		CPT	CP	VWC	VWC	VWC	VWC	GWB	7'-6"	626 * TUB SURROUND CT4, (ADD ALT. 1 GRANITE SURROUND)	
626A	TOILET		PT5	PT5	VWC	VWC	VWC	VWC	GWB	7'-6"	626A	
626B	CLOSET		CPT	CP	VWC	VWC	VWC	VWC	GWB	7'-6"	626B	
627	GUEST ROOM		CPT	CP	VWC	VWC	VWC	VWC	GWB	7'-6"	627 * TUB SURROUND CT4, (ADD ALT. 1 GRANITE SURROUND)	
627A	TOILET		PT5	PT5	VWC	VWC	VWC	VWC	GWB	7'-6"	627A	
627B	CLOSET		CPT	CP	VWC	VWC	VWC	VWC	GWB	7'-6"	627B	
630	A.D.A. GUEST ROOM		CPT	CP	VWC	VWC	VWC	VWC	GWB	7'-6"	630 * TUB SURROUND CT4, (ADD ALT. 1 GRANITE SURROUND)	
630A	A.D.A. TOILET		PT5	PT5	VWC	VWC	VWC	VWC	GWB	7'-6"	630A	
630B	CLOSET		CPT	CP	VWC	VWC	VWC	VWC	GWB	7'-6"	630B	
634	CORRIDOR		CPT	CP	VWC	VWC	VWC	VWC	GWB/ACT1	VARES	634	

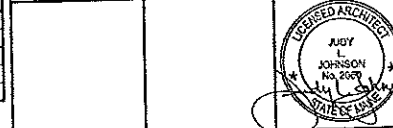


- FINISH NOTES:**
- SEE SPECIFICATIONS FOR ADDITIONAL INFORMATION REGARDING FINISH MATERIALS.
 - REFER TO PARTITION LEGEND FOR TYPE OF GWS COMPOSITION REQUIRED. *MOLD RESISTANT, *MOISTURE RESISTANT OR OTHER (TYPICAL).
 - WHENEVER MOISTURE-RESISTANT GWS IS CALLED FOR AT CEILING, PROVIDE VAPOR BARRIER ALSO BETWEEN GWS AND MTL FRAMING SYSTEM.

- FINISH ABBREVIATIONS**
- ACT-1 2x4 ACoustICAL CEILING TILE
 - ACT-2 2x2 ACoustICAL CEILING TILE
 - ACT-3 2x4 VINYL FACED ACoustICAL CEILING TILE
 - CPT CARPET, (D.F.C.I.)
 - CB 4" CARPET BASE, (D.F.C.I.)
 - CR CERAMIC TILE
 - CT1 - TO BE DETERMINED
 - CT2 - 6x6 CERAMIC TILE
 - CT3 - 1 1/2"x3" CERAMIC TILE MOLDING
 - CT4 - GUEST ROOM TOILET TUB SURROUND
 - EXP EXPOSED TO STRUCTURE
 - FP FRESCO PLASTER
 - GWB GYPSUM WALLBOARD, PAINT (COLOR TO BE DETERMINED)
 - GT GRANITE TILE
 - GT1 - 12x12 GRANITE TILE
 - GT2 - 6x12 GRANITE TILE
 - GT3 - ACCENT GRANITE TILE, COLOR 1
 - GT4 - ACCENT GRANITE TILE, COLOR 2
 - GT5 - ACCENT GRANITE TILE, COLOR 3
 - MT WALK OFF MATS
 - MT1 - CERAMIC TILE, COLOR 1
 - MT2 - CERAMIC TILE, COLOR 2
 - MT3 - CERAMIC TILE, COLOR 3
 - MT4 - CERAMIC TILE, COLOR 4
 - QT1 6x6 QUARRY TILE
 - PT PORCELAIN TILE
 - PT1 - 12x12 PORCELAIN TILE, COLOR 1
 - PT2 - 3x3 PORCELAIN TILE
 - PT3A - 12x12 PORCELAIN TILE, COLOR 2
 - PT3B - 3x12 PORCELAIN TILE w/ BUAINOSE
 - PT4 - 6x6 PORCELAIN TILE
 - PT5 - 6x6 PORCELAIN TILE
 - VCT-1 VINY COMPOSITE TILE
 - VWC VINY WALL COVERING, (D.F.C.I.)

0	CONSTRUCTION DOCUMENTS	5-29-02
REV.	DESCRIPTION	DATE

CONSTRUCTION DOCUMENTS 5-29-02



ARCHITECTURE ENGINEERING PLANNING
 3033
 144 Fore Street, P.O. Box 618
 Portland, Maine 04104
 Tel. (207) 772-3644
 Fax. (207) 772-1570

HILTON GARDEN INN
 65 COMMERCIAL STREET
 PORTLAND, MAINE

ROOM FINISH SCHEDULE

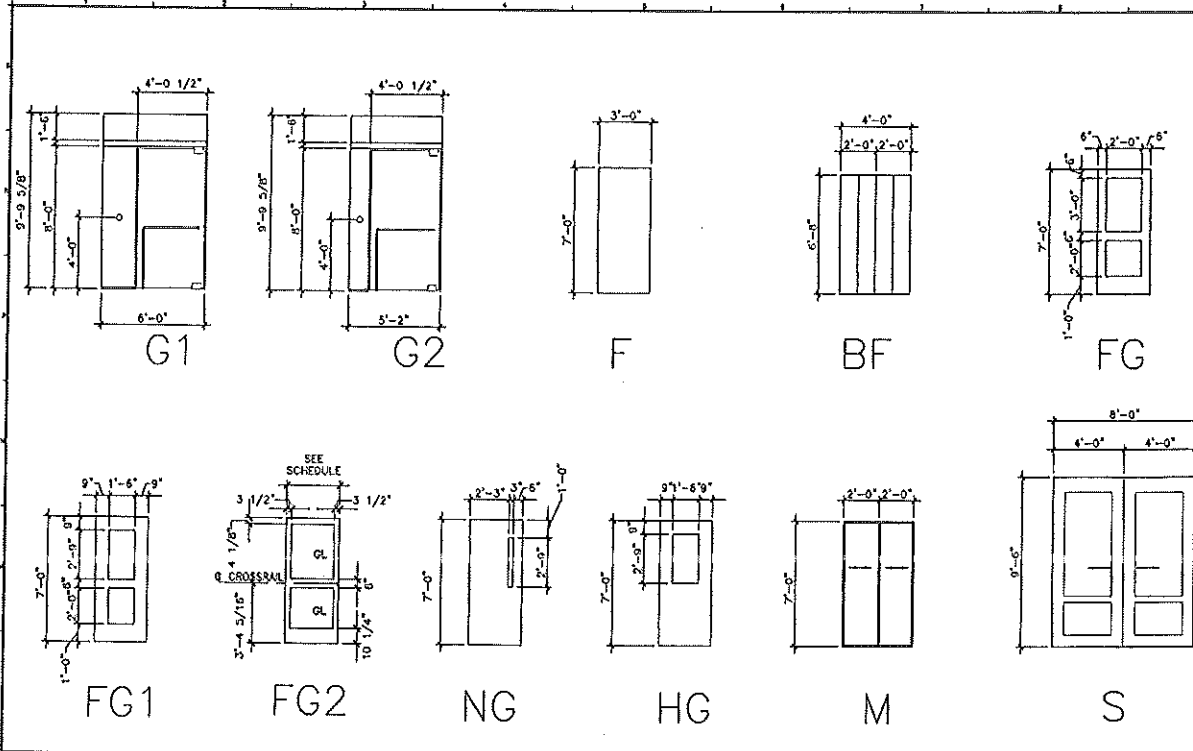
SHEET TITLE:	AS NOTED	DATE:	5-29-02
SCALE:		GRAPHIC SCALE:	0"
PROJECT MANAGER:	JLJ		
JOB CAP/DRAWN:	WMO/JAM		
A/E OF RECORD:	JLJ	SHEET No.	
SWRT CAD FILE:	AE603-02004		AE603
PROJECT No.	02004		

DOOR SCHEDULE - FIRST FLOOR													
DOOR NUMBER	DOOR	MATERIAL	ELEVATION	GLAZING	FRAME			HWS	FIRE RATING (MIN)	DOOR NUMBER	REMARKS		
					MATERIAL	ELEVATION	HEAD						
101A	8'-0"x9'-0"	ALUM	S	TEMP INS	ALUM	7	J9/AE21	D1/AE22	A1/AE22	101A	AUTOMATIC SLIDING VESTIBULE DOORS		
101B	8'-0"x9'-0"	ALUM	S	TEMP INS	ALUM	8	J9/AE21	D5/AE22	A1/AE22	101B	AUTOMATIC SLIDING VESTIBULE DOORS		
103A	4'-0"x8'-0"	GLASS	G1	TEMP	ALUM	8	N8/AE21	D3/AE21	D9/AE22	103A	FRAMELESS GLASS DOORS AND SDELIGHT		
103B	4'-0"x8'-0"	GLASS	G2	TEMP	ALUM	8	N13/AE21	D3/AE21	D9/AE22	103B	FRAMELESS GLASS DOORS AND SDELIGHT		
109	(2) 3'-0"x7'-0"	ALUM	FG2	TEMP	ALUM	5	A18/AE21	K15/AE21	E8/AE21	109			
110	3'-0"x7'-0"	SCW	F		HM	1	N8/AE21	N8/AE21	N11/AE21	110	TOILET STALL DOOR ON PIANO HINGE		
110A	3'-0"x7'-0"	SCW	F		HM	1	N8/AE21	N8/AE21	N11/AE21	110A	TOILET STALL DOOR ON PIANO HINGE		
111	3'-0"x7'-0"	SCW	F		HM	1	N8/AE21	N8/AE21	N11/AE21	111			
111A	3'-0"x7'-0"	SCW	F		HM	1	N8/AE21	N8/AE21	N11/AE21	111A	TOILET STALL DOOR ON PIANO HINGE		
111B	3'-0"x7'-0"	SCW	F		HM	1	N8/AE21	N8/AE21	N11/AE21	111B	TOILET STALL DOOR ON PIANO HINGE		
116	3'-0"x7'-0"	SCW	F		HM	1	N8/AE21	N8/AE21	N11/AE21	116			
117	3'-0"x7'-0"	SCW	F		HM	1	N8/AE21	N8/AE21	N11/AE21	117			
118	3'-0"x7'-0"	SCW	F		HM	1	N8/AE21	N8/AE21	N11/AE21	118			
119	3'-0"x7'-0"	SCW	HO	WIRE	HM	1	N8/AE21	N8/AE21	N11/AE21	119			
121A	3'-0"x7'-0"	SCW	F		HM	1	N8/AE21	N8/AE21	N11/AE21	121A	SEE A14/AE13 FOR ADDITIONAL JAMB INFORMATION		
121B	3'-0"x7'-0"	SCW	NO		HM	1	N8/AE21	N8/AE21	N11/AE21	121B			
121C	3'-0"x7'-0"	SCW	NO		HM	1	N8/AE21	N8/AE21	N11/AE21	121C			
122A	3'-0"x7'-0"	HM	NO		HM	1	K11/AE21	K13/AE21	R11/AE21	122A	WEATHERSTRIP		
122B	3'-0"x7'-0"	SCW	NO		HM	1	N8/AE21	N8/AE21	N11/AE21	122B			
123	3'-0"x7'-0"	HM	NO		HM	1	N8/AE21	N8/AE21	N11/AE21	123	TESA LOCKSET FURNISHED BY OWNER, INSTALLED BY TESA		
125	3'-0"x7'-0"	SCW	HO	TEMP	HM	1	N8/AE21	N8/AE21	N11/AE21	125			
126	3'-0"x7'-0"	ALUM	FG2	TEMP	ALUM	4	N8/AE21	A12/AE21	N8/AE21	126	TESA LOCKSET FURNISHED BY OWNER, INSTALLED BY TESA		
127	3'-0"x7'-0"	HM	F		HM	1	N8/AE21	N8/AE21	N11/AE21	127			
128	3'-0"x7'-0"	HM	F		HM	1	N1/AE21	N3/AE21	N8/AE21	128			
129	3'-0"x7'-0"	HM	F		HM	1	N8/AE21	N8/AE21	N11/AE21	129			
130	3'-0"x7'-0"	SCW	F		HM	1	N8/AE21	N8/AE21	N11/AE21	130			
131	3'-0"x7'-0"	ALUM	FG2	TEMP	ALUM	3	A11/AE22	A14/AE22	D18/AE21	131			
132	3'-0"x7'-0"	ALUM	FG2	TEMP	ALUM	9	A11/AE22	K9/AE22	N8/AE21	132			
133	3'-0"x7'-0"	HM	HO	TEMP	HM	1	N8/AE21	N8/AE21	N11/AE21	133			
134A	(2) 3'-0"x7'-0"	HM	F		HM	2	K7/AE21	K9/AE21	R11/AE21	134A	WEATHERSTRIP		
134B	3'-0"x7'-0"	HM	F		HM	1	N8/AE21	N8/AE21	N11/AE21	134B			
135	3'-0"x7'-0"	HM	F		HM	1	N8/AE21	N8/AE21	N11/AE21	135			
51-1	3'-0"x7'-0"	ALUM	FG2	TEMP INS	ALUM	6	A5/AE12	E8/AE21	N8/AE21	51-1	WEATHERSTRIP		
52-1	3'-0"x7'-0"	HM	F		HM	1	K11/AE21	K13/AE21	R11/AE21	52-1	WEATHERSTRIP		

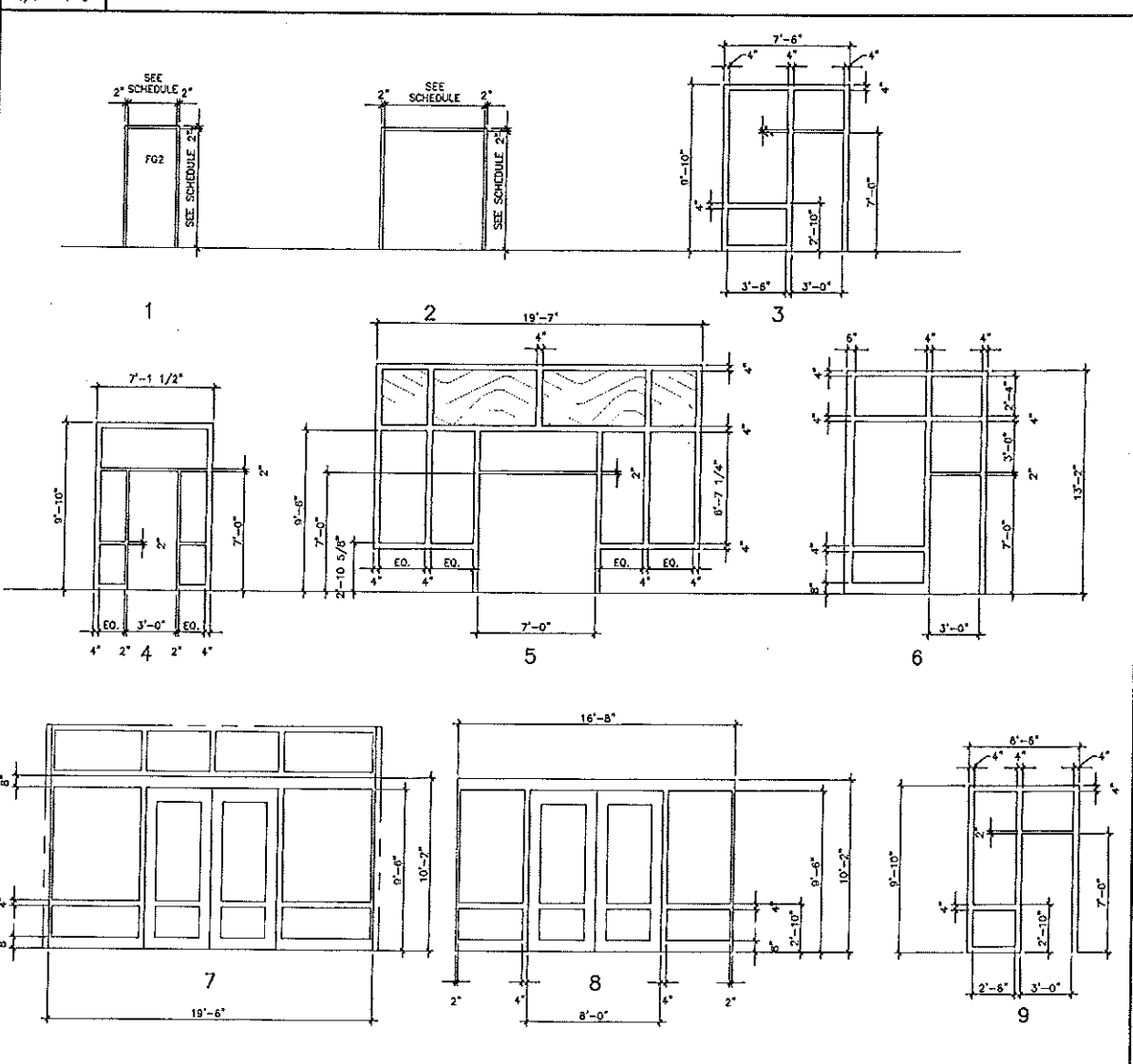
DOOR SCHEDULE - SECOND FLOOR													
DOOR NUMBER	DOOR	MATERIAL	ELEVATION	GLAZING	FRAME			HWS	FIRE RATING (MIN)	DOOR NUMBER	REMARKS		
					MATERIAL	ELEVATION	HEAD						
200	3'-0"x7'-0"	SCW	NO	WIRE	HM	1	N1/AE21	N3/AE21	N8/AE21	200			
200A	3'-0"x7'-0"	SCW	NO	WIRE	HM	1	N1/AE21	N3/AE21	N8/AE21	200A			
201	3'-0"x7'-0"	SCW	F		HM	1	N8/AE21	N8/AE21	N11/AE21	201	TESA LOCKSET FURNISHED BY OWNER, INSTALLED BY TESA		
A	2'-8"x7'-0"	SCW	F		HM	1	N8/AE21	N8/AE21	N11/AE21	A			
B	1'-8"x7'-0"	SCW	F		HM	1	N8/AE21	N8/AE21	N11/AE21	B	CLOSET DOOR		
202	3'-0"x7'-0"	SCW	F		HM	1	N8/AE21	N8/AE21	N11/AE21	202	TESA LOCKSET FURNISHED BY OWNER, INSTALLED BY TESA		
A	2'-8"x7'-0"	SCW	F		HM	1	N8/AE21	N8/AE21	N11/AE21	A			
B	(2) 2'-0"x7'-0"	SCW	M		HM	1	N8/AE21	N8/AE21	N11/AE21	B	SLIDING CLOSET DOORS		
203-209	3'-0"x7'-0"	SCW	F		HM	1	N8/AE21	N8/AE21	N11/AE21	203-209	TESA LOCKSET FURNISHED BY OWNER, INSTALLED BY TESA		
A	2'-8"x7'-0"	SCW	F		HM	1	N8/AE21	N8/AE21	N11/AE21	A			
B	(2) 2'-0"x7'-0"	SCW	M		HM	1	N8/AE21	N8/AE21	N11/AE21	B	SLIDING CLOSET DOORS		
2030.D	3'-0"x7'-0"	SCW	F		HM	1	A9/AE22	N15/AE21	N8/AE21	2030.D	COMMUNICATING DOORS, SOUNDSEAL		
209	3'-0"x7'-0"	SCW	F		HM	1	N8/AE21	N8/AE21	N11/AE21	209	TESA LOCKSET FURNISHED BY OWNER, INSTALLED BY TESA		
210	3'-0"x7'-0"	SCW	F		HM	1	N8/AE21	N8/AE21	N11/AE21	210	TESA LOCKSET FURNISHED BY OWNER, INSTALLED BY TESA		
A	2'-8"x7'-0"	SCW	F		HM	1	N8/AE21	N8/AE21	N11/AE21	A			
B	(2) 2'-0"x7'-0"	SCW	M		HM	1	N8/AE21	N8/AE21	N11/AE21	B	SLIDING CLOSET DOORS		
211	3'-0"x7'-0"	SCW	F		HM	1	N8/AE21	N8/AE21	N11/AE21	211	TESA LOCKSET FURNISHED BY OWNER, INSTALLED BY TESA		
212	3'-0"x7'-0"	SCW	F		HM	1	N8/AE21	N8/AE21	N11/AE21	212	TESA LOCKSET FURNISHED BY OWNER, INSTALLED BY TESA		
A	2'-8"x7'-0"	SCW	F		HM	1	N8/AE21	N8/AE21	N11/AE21	A			
213	3'-0"x7'-0"	HM	F		HM	1	N8/AE21	N8/AE21	N11/AE21	213			
214-216	3'-0"x7'-0"	SCW	F		HM	1	N8/AE21	N8/AE21	N11/AE21	214-216	TESA LOCKSET FURNISHED BY OWNER, INSTALLED BY TESA		
A	2'-8"x7'-0"	SCW	F		HM	1	N8/AE21	N8/AE21	N11/AE21	A			
B	(2) 2'-0"x7'-0"	SCW	M		HM	1	N8/AE21	N8/AE21	N11/AE21	B	SLIDING CLOSET DOORS		
217	3'-0"x7'-0"	SCW	HO	TEMP	HM	1	N8/AE21	N8/AE21	N11/AE21	217			
218	3'-0"x7'-0"	SCW	F		HM	1	N8/AE21	N8/AE21	N11/AE21	218	TESA LOCKSET FURNISHED BY OWNER, INSTALLED BY TESA		
A	2'-8"x7'-0"	SCW	F		HM	1	N8/AE21	N8/AE21	N11/AE21	A			
B	(2) 1'-8"x7'-0"	SCW	M		HM	1	N8/AE21	N8/AE21	N11/AE21	B	SLIDING CLOSET DOORS		
219	3'-0"x7'-0"	SCW	F		HM	1	N8/AE21	N8/AE21	N11/AE21	219			
220	3'-0"x7'-0"	SCW	F		HM	1	N8/AE21	N8/AE21	N11/AE21	220	TESA LOCKSET FURNISHED BY OWNER, INSTALLED BY TESA		
A	2'-8"x7'-0"	SCW	F		HM	1	N8/AE21	N8/AE21	N11/AE21	A			
B	(2) 1'-8"x7'-0"	SCW	M		HM	1	N8/AE21	N8/AE21	N11/AE21	B	SLIDING CLOSET DOORS		
221A	(2) 3'-0"x7'-0"	SCW	F		HM	2	N8/AE21	N8/AE21	N11/AE21	221A	TESA LOCKSET FURNISHED BY OWNER, INSTALLED BY TESA		
221B	(2) 2'-0"x7'-0"	SCW	F		HM	2	N8/AE21	N8/AE21	N11/AE21	221B	BI-FOLD CLOSET DOOR		
221C	(2) 2'-0"x7'-0"	SCW	F		HM	2	N8/AE21	N8/AE21	N11/AE21	221C	BI-FOLD CLOSET DOOR		
222-224	3'-0"x7'-0"	SCW	F		HM	1	N8/AE21	N8/AE21	N11/AE21	222-224	TESA LOCKSET FURNISHED BY OWNER, INSTALLED BY TESA		
A	2'-8"x7'-0"	SCW	F		HM	1	N8/AE21	N8/AE21	N11/AE21	A			
B	(2) 2'-0"x7'-0"	SCW	M		HM	1	N8/AE21	N8/AE21	N11/AE21	B	SLIDING CLOSET DOORS		
225	3'-0"x7'-0"	SCW	F		HM	1	N8/AE21	N8/AE21	N11/AE21	225	TESA LOCKSET FURNISHED BY OWNER, INSTALLED BY TESA		
A	2'-8"x7'-0"	SCW	F		HM	1	N8/AE21	N8/AE21	N11/AE21	A			
B	(2) 1'-8"x7'-0"	SCW	M		HM	1	N8/AE21	N8/AE21	N11/AE21	B	SLIDING CLOSET DOORS		
226-230	3'-0"x7'-0"	SCW	F		HM	1	N8/AE21	N8/AE21	N11/AE21	226-230	TESA LOCKSET FURNISHED BY OWNER, INSTALLED BY TESA		
A	2'-8"x7'-0"	SCW	F		HM	1	N8/AE21	N8/AE21	N11/AE21	A			
B	(2) 2'-0"x7'-0"	SCW	M		HM	1	N8/AE21	N8/AE21	N11/AE21	B	SLIDING CLOSET DOORS		
2300.D	3'-0"x7'-0"	SCW	F		HM	1	A9/AE22	N15/AE21	N8/AE21	2300.D	COMMUNICATING DOORS, SOUNDSEAL		
232	3'-0"x7'-0"	SCW	F		HM	1	N8/AE21	N8/AE21	N11/AE21	232	TESA LOCKSET FURNISHED BY OWNER, INSTALLED BY TESA		
A	3'-0"x7'-0"	SCW	F		HM	1	N8/AE21	N8/AE21	N11/AE21	A			
B	2'-8"x7'-0"	SCW	F		HM	1	N8/AE21	N8/AE21	N11/AE21	B	CLOSET DOOR		

DOOR SCHEDULE - THIRD FLOOR													
DOOR NUMBER	DOOR	MATERIAL	ELEVATION	GLAZING	FRAME			HWS	FIRE RATING (MIN)	DOOR NUMBER	REMARKS		
					MATERIAL	ELEVATION	HEAD						
300A	3'-0"x7'-0"	SCW	NO	WIRE	HM	1	N1/AE21	N3/AE21	N8/AE21	300			
301	3'-0"x7'-0"	SCW	F		HM	1	N8/AE21	N8/AE21	N11/AE21	301	TESA LOCKSET FURNISHED BY OWNER, INSTALLED BY TESA		
A	2'-8"x7'-0"	SCW	F		HM	1	N8/AE21	N8/AE21	N11/AE21	A			
B	1'-8"x7'-0"	SCW	F		HM	1	N8/AE21	N8/AE21	N11/AE21	B	CLOSET DOOR		
302	3'-0"x7'-0"	SCW	F		HM	1	N8/AE21	N8/AE21	N11/AE21	302	TESA LOCKSET FURNISHED BY OWNER, INSTALLED BY TESA		
A	2'-8"x7'-0"	SCW	F		HM	1	N8/AE21	N8/AE21	N11/AE21	A			
B	(2) 2'-0"x7'-0"	SCW	M		HM	1	N8/AE21	N8/AE21	N11/AE21	B	SLIDING CLOSET DOORS		
303-310	3'-0"x7'-0"	SCW	F		HM	1	N8/AE21	N8/AE21	N11/AE21	303-310	TESA LOCKSET FURNISHED BY OWNER, INSTALLED BY TESA		
A	2'-8"x7'-0"	SCW	F		HM	1	N8/AE21	N8/AE21	N11/AE21	A			
B	(2) 2'-0"x7'-0"	SCW	M		HM	1	N8/AE21	N8/AE21	N11/AE21	B	SLIDING CLOSET DOORS		
3030.D	(2) 3'-0"x7'-0"	SCW	F		HM	1	A9/AE22	N15/AE21	N8/AE21	3030.D	COMMUNICATING DOORS, SOUNDSEAL		
311	3'-0"x7'-0"	SCW	F		HM	1	N8/AE21	N8/AE21	N11/AE21	311	TESA LOCKSET FURNISHED BY OWNER, INSTALLED BY TESA		
312	3'-0"x7'-0"	SCW	F		HM	1	N8/AE21	N8/AE21	N11/AE21	312	TESA LOCKSET FURNISHED BY OWNER, INSTALLED BY TESA		
A	2'-8"x7'-0"	SCW	F		HM	1	N8/AE21	N8/AE21	N11/AE21	A			

DOOR SCHEDULE - THIRD FLOOR (CONTINUED)													
DOOR NUMBER	DOOR	MATERIAL	ELEVATION	GLAZING	FRAME			HWS	FIRE RATING (MIN)	DOOR NUMBER	REMARKS		
					MATERIAL	ELEVATION	HEAD						
313	3'-0"x7'-0"	HM	F		HM	1	N8/AE21	N8/AE21	N11/AE21	313			
314-316	3'-0"x7'-0"	SCW	F		HM	1	N8/AE21	N8/AE21	N11/AE21	314-316	TESA LOCKSET FURNISHED BY OWNER, INSTALLED BY TESA		
A	2'-8"x7'-0"	SCW	F		HM	1	N8/AE21	N8/AE21	N11/AE				



J1 DOOR TYPES
1/4" = 1'-0"



A1 FRAME TYPES
1/4" = 1'-0"

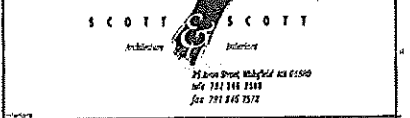
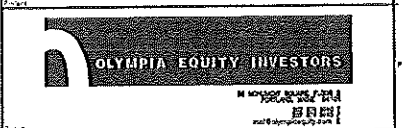
DOOR SCHEDULE-- FIFTH FLOOR (CONTINUED)

DOOR NUMBER	DOOR			GLAZING	FRAME			FIRE RATING (MIN.)	DOOR NUMBER	REMARKS	
	SIZE	MATERIAL	ELEVATION		MATERIAL	ELEVATION	HEAD				
525	3'-0"x7'-0"x1-3/4"	SCW	F	-	HM	1	N8/AE621	N8/AE621	20	525	TESA LOCKSET FINISHED BY OWNER, INSTALLED BY TESA
A	2'-8"x7'-0"x1-3/4"	SCW	F	-	HM	1	N8/AE621	N8/AE621	-	A	-
B	(2)1'-9"x7'-0"x1-3/4"	SCW	M	-	-	-	-	N11/AE621	-	B	SLIDING CLOSET DOORS
526	3'-0"x7'-0"x1-3/4"	SCW	F	-	HM	1	N8/AE621	N8/AE621	20	526	TESA LOCKSET FINISHED BY OWNER, INSTALLED BY TESA
A	2'-8"x7'-0"x1-3/4"	SCW	F	-	HM	1	N8/AE621	N8/AE621	-	A	-
B	(2)2'-0"x7'-0"x1-3/4"	SCW	M	-	-	-	-	-	-	B	SLIDING CLOSET DOORS
528C.D	3'-0"x7'-0"x1-3/4"	SCW	F	-	HM	1	N8/AE621	N8/AE621	45 EA	528C.D	COMMUNICATING DOORS, SOUNDSEAL
A	2'-8"x7'-0"x1-3/4"	SCW	F	-	HM	1	N8/AE621	N8/AE621	20	530	TESA LOCKSET FINISHED BY OWNER, INSTALLED BY TESA
B	2'-8"x7'-0"x1-3/4"	SCW	F	-	HM	1	N8/AE621	N8/AE621	-	B	CLOSET DOOR
534	3'-0"x7'-0"x1-3/4"	SCW	NG	-	HM	WRE	N1/AE621	N3/AE621	90	534	-

DOOR SCHEDULE-- SIXTH FLOOR

600	3'-0"x7'-0"x1-3/4"	SCW	NG	WRE	HM	1	N1/AE621	N3/AE621	90	600	-
601	3'-0"x7'-0"x1-3/4"	SCW	F	-	HM	1	N8/AE621	N8/AE621	20	601	TESA LOCKSET FINISHED BY OWNER, INSTALLED BY TESA
A	2'-8"x7'-0"x1-3/4"	SCW	F	-	HM	1	N8/AE621	N8/AE621	-	A	-
B	(2)1'-9"x7'-0"x1-3/4"	SCW	M	-	-	-	-	N11/AE621	-	B	SLIDING CLOSET DOORS
602	3'-0"x7'-0"x1-3/4"	SCW	F	-	HM	1	N8/AE621	N8/AE621	20	602	TESA LOCKSET FINISHED BY OWNER, INSTALLED BY TESA
A	2'-8"x7'-0"x1-3/4"	SCW	F	-	HM	1	N8/AE621	N8/AE621	-	A	-
B	(2)2'-0"x7'-0"x1-3/4"	SCW	M	-	-	-	-	-	-	B	SLIDING CLOSET DOORS
603	3'-0"x7'-0"x1-3/4"	SCW	F	-	HM	1	N8/AE621	N8/AE621	20	603	TESA LOCKSET FINISHED BY OWNER, INSTALLED BY TESA
A	2'-8"x7'-0"x1-3/4"	SCW	F	-	HM	1	N8/AE621	N8/AE621	-	A	-
B	(2)2'-0"x7'-0"x1-3/4"	SCW	M	-	-	-	-	-	-	B	SLIDING CLOSET DOORS
603C.D	3'-0"x7'-0"x1-3/4"	SCW	F	-	HM	1	N8/AE621	N8/AE621	45 EA	603C.D	COMMUNICATING DOORS, SOUNDSEAL
611	3'-0"x7'-0"x1-3/4"	SCW	F	-	HM	1	N8/AE621	N8/AE621	20	611	TESA LOCKSET FINISHED BY OWNER, INSTALLED BY TESA
612	3'-0"x7'-0"x1-3/4"	SCW	F	-	HM	1	N8/AE621	N8/AE621	20	612	TESA LOCKSET FINISHED BY OWNER, INSTALLED BY TESA
A	2'-8"x7'-0"x1-3/4"	SCW	F	-	HM	1	N8/AE621	N8/AE621	-	A	-
613	3'-0"x7'-0"x1-3/4"	SCW	F	-	HM	1	N8/AE621	N8/AE621	-	613	-
614	3'-0"x7'-0"x1-3/4"	SCW	F	-	HM	1	N8/AE621	N8/AE621	20	614	TESA LOCKSET FINISHED BY OWNER, INSTALLED BY TESA
A	2'-8"x7'-0"x1-3/4"	SCW	F	-	HM	1	N8/AE621	N8/AE621	-	A	-
B	(2)2'-0"x7'-0"x1-3/4"	SCW	M	-	-	-	-	-	-	B	SLIDING CLOSET DOORS
616	3'-0"x7'-0"x1-3/4"	SCW	F	-	HM	1	N8/AE621	N8/AE621	20	616	TESA LOCKSET FINISHED BY OWNER, INSTALLED BY TESA
A	2'-8"x7'-0"x1-3/4"	SCW	F	-	HM	1	N8/AE621	N8/AE621	-	A	-
B	(2)2'-0"x7'-0"x1-3/4"	SCW	M	-	-	-	-	-	-	B	SLIDING CLOSET DOORS
618	3'-0"x7'-0"x1-3/4"	SCW	F	-	HM	1	N8/AE621	N8/AE621	20	618	TESA LOCKSET FINISHED BY OWNER, INSTALLED BY TESA
A	2'-8"x7'-0"x1-3/4"	SCW	F	-	HM	1	N8/AE621	N8/AE621	-	A	-
B	2'-8"x7'-0"x1-3/4"	SCW	F	-	HM	1	N8/AE621	N8/AE621	-	B	-
O	(2)2'-0"x7'-0"x1-3/4"	SCW	M	-	-	-	-	-	-	O	SLIDING CLOSET DOORS
619	3'-0"x7'-0"x1-3/4"	SCW	F	-	HM	1	N8/AE621	N8/AE621	20	619	TESA LOCKSET FINISHED BY OWNER, INSTALLED BY TESA
A	2'-8"x7'-0"x1-3/4"	SCW	F	-	HM	1	N8/AE621	N8/AE621	-	A	-
B	(2)2'-0"x7'-0"x1-3/4"	SCW	M	-	-	-	-	-	-	B	SLIDING CLOSET DOORS
620	3'-0"x7'-0"x1-3/4"	SCW	F	-	HM	1	N8/AE621	N8/AE621	20	620	TESA LOCKSET FINISHED BY OWNER, INSTALLED BY TESA
A	2'-8"x7'-0"x1-3/4"	SCW	F	-	HM	1	N8/AE621	N8/AE621	-	A	-
B	(2)1'-9"x7'-0"x1-3/4"	SCW	M	-	-	-	-	-	-	B	SLIDING CLOSET DOORS
626	3'-0"x7'-0"x1-3/4"	SCW	F	-	HM	1	N8/AE621	N8/AE621	20	626	TESA LOCKSET FINISHED BY OWNER, INSTALLED BY TESA
A	2'-8"x7'-0"x1-3/4"	SCW	F	-	HM	1	N8/AE621	N8/AE621	-	A	-
B	(2)2'-0"x7'-0"x1-3/4"	SCW	M	-	-	-	-	-	-	B	SLIDING CLOSET DOORS
626C.D	3'-0"x7'-0"x1-3/4"	SCW	F	-	HM	1	N8/AE621	N8/AE621	45 EA	626C.D	TWO COMMUNICATING DOORS ON ONE FRAME
630	3'-0"x7'-0"x1-3/4"	SCW	F	-	HM	1	N8/AE621	N8/AE621	20	630	TESA LOCKSET FINISHED BY OWNER, INSTALLED BY TESA
A	3'-0"x7'-0"x1-3/4"	SCW	F	-	HM	1	N8/AE621	N8/AE621	-	A	-
B	2'-8"x7'-0"x1-3/4"	SCW	F	-	HM	1	N8/AE621	N8/AE621	-	B	CLOSET DOOR
634	3'-0"x7'-0"x1-3/4"	SCW	NG	WRE	HM	1	N1/AE621	N3/AE621	90	634	-

A9 DOOR SCHEDULE
1/4" = 1'-0"



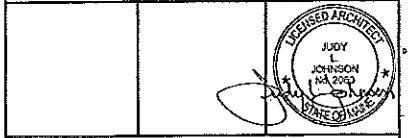
DOOR ABBREVIATIONS

AL/ALUM	ALUMINUM
HCB	HOLLOW CORE HARDBOARD
HCBW	HOLLOW CORE WOOD
HM	HOLLOW METAL
INS	INSULATED
S/S	STAINLESS STEEL
SCHB	SOLID CORE HARDBOARD
SCW	SOLID CORE WOOD
STL	STEEL
TEMP	TEMPERED GLASS
WRE	WIRE GLASS

- DOOR NOTES**
- SEE SPECIFICATIONS FOR HARDWARE SET DESCRIPTIONS.
 - SEE TITLE SHEET 6000 FOR STANDARD ABBREVIATIONS.
 - ALL SWINGING DOORS TO BE 1-3/4" THICK (U.N.O.).
 - ALL DOORS SHALL BE 3/4" UNDERCUT (TYPICAL) EXCEPT WHEN THERE IS A BOTTOM FRAME OR SILL THRESHOLD OR SPECIFICALLY NOTED OTHERWISE.
 - ALL DOORS WITH BOTTOM FRAMES OR SILL THRESHOLDS SHALL HAVE MANUFACTURERS RECOMMENDED STANDARD UNDERCUT.
 - GLAZING NOTED ON DOOR SCHEDULE IS FOR THE DOOR AND SIDELIGHTS IN THE FRAME (TYPICAL).

REV.	DESCRIPTION	DATE

CONSTRUCTION DOCUMENTS
5-29-02

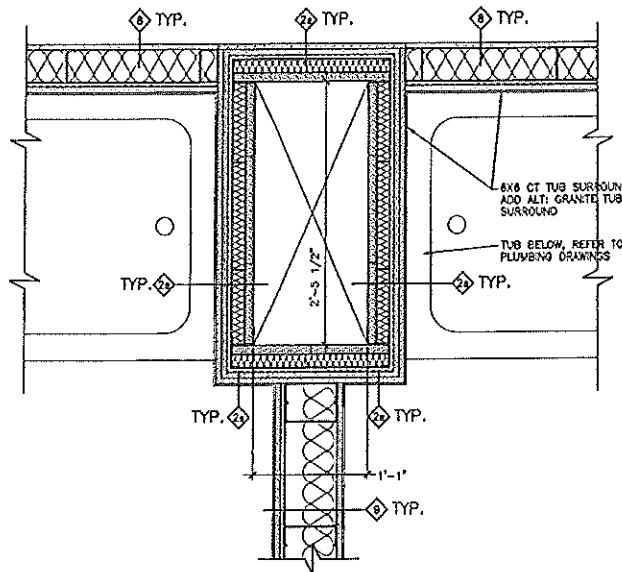


ARCHITECTURE ENGINEERING PLANNING
SMRT
144 Fore Street/7th Fl. Box 618
Portland, Maine 04104
Tel. (207) 772-3846
Fax. (207) 772-1070

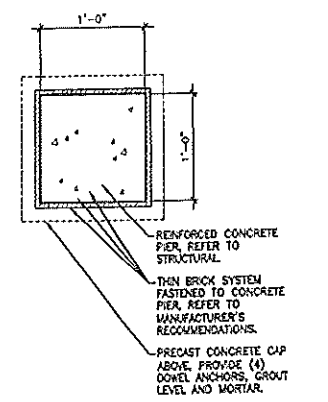
HILTON GARDEN INN
65 COMMERCIAL STREET
PORTLAND, MAINE

**DOOR SCHEDULE (PAGE 2),
DOOR FRAMES, AND DOOR TYPES**

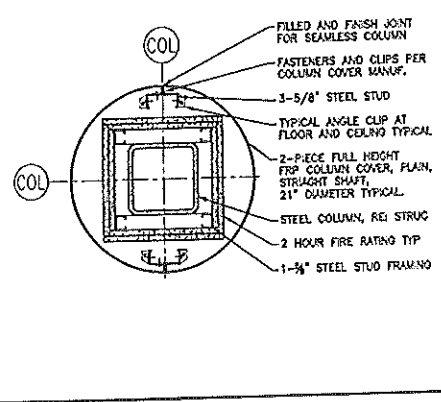
SHEET TITLE:	SCALE:	AS NOTED	DATE:	5-29-02
PROJECT MANAGER:	JLJ	GRAPHIC SCALE:	0"	1"
JOB CAP/DRAWN:	MWO			
A/E OF RECORD:	JLJ	SHEET No.		
SWRT CAD FILE:	AE612-02004			AE612
PROJECT No.	02004			



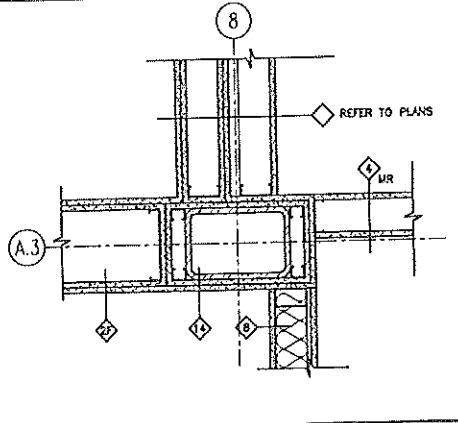
L1 PLAN DETAIL- TYPICAL GUEST TOILET - MECHANICAL CHASE
1-1/2"=1'-0" AE102-AE106, AE402, AE403



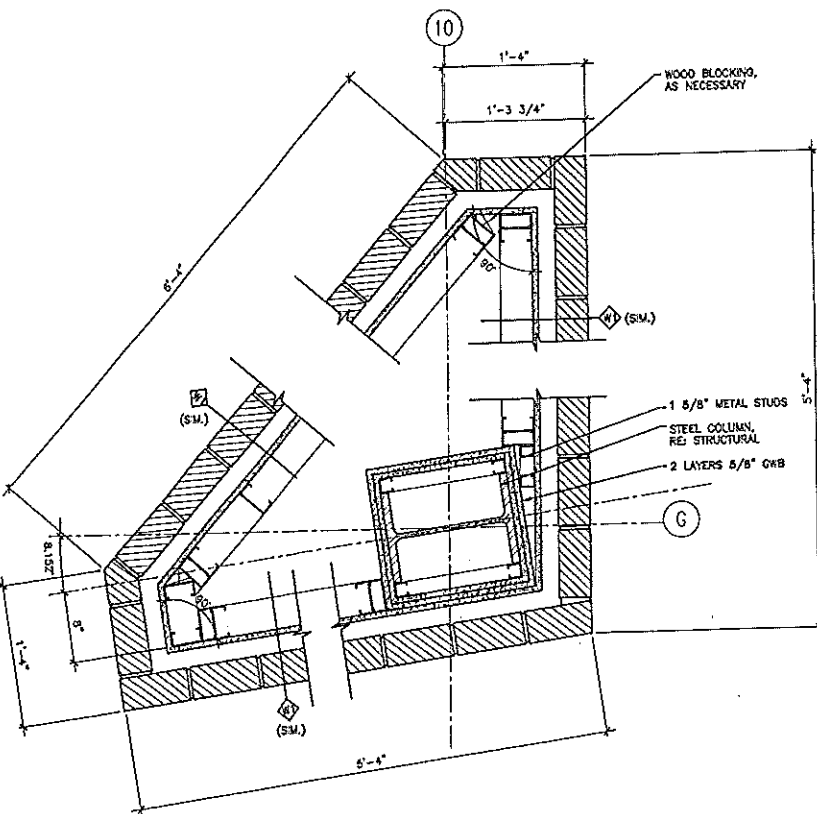
N7 GATE PIER DETAIL
1 1/2" = 1'-0" AE101, AE202



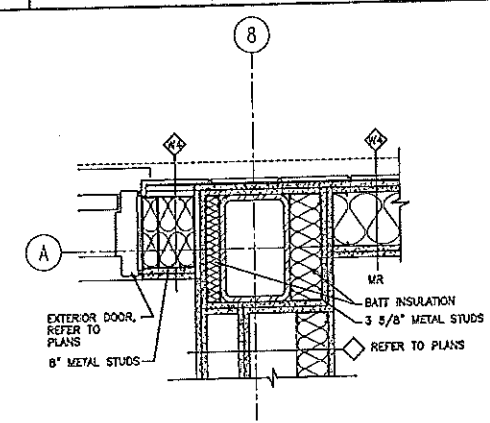
N10 COLUMN COVER DETAIL
1 1/2" = 1'-0" AE101



N14 PLAN DETAIL- STAIR 2- FLOORS 2-6
1-1/2"=1'-0"

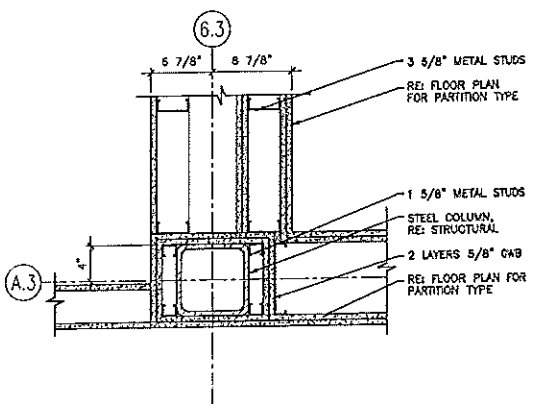


E7 PLAN DETAIL- CORNER PIER, FIRST FLOOR
1-1/2"=1'-0" AE110

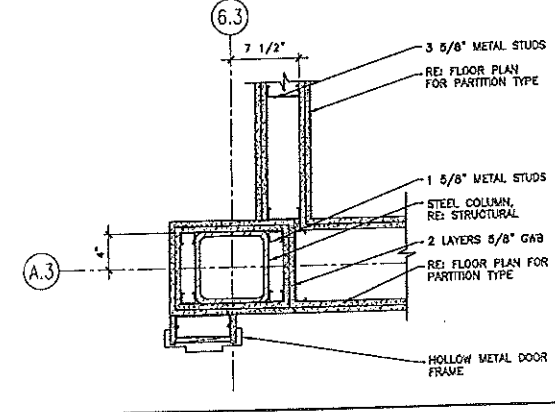


E14 PLAN DETAIL- STAIR 2- FIRST FLOOR
1-1/2"=1'-0" AE101

E1 -
1-1/2"=1'-0"

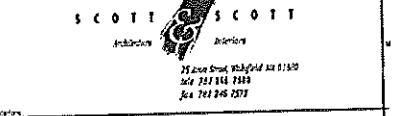
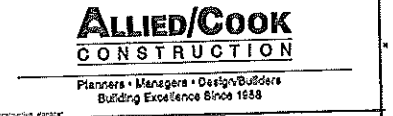
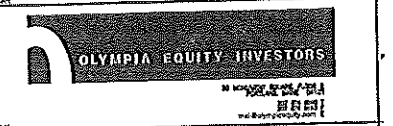


A5 PLAN DETAIL- STAIR 2- FLOORS 2-6
1-1/2"=1'-0"



A9 PLAN DETAIL- STAIR 2- FIRST FLOOR
1-1/2"=1'-0" AE101

A1 -
-



REV.	DESCRIPTION	DATE
0	CONSTRUCTION DOCUMENTS	5-29-02

CONSTRUCTION DOCUMENTS
5-29-02

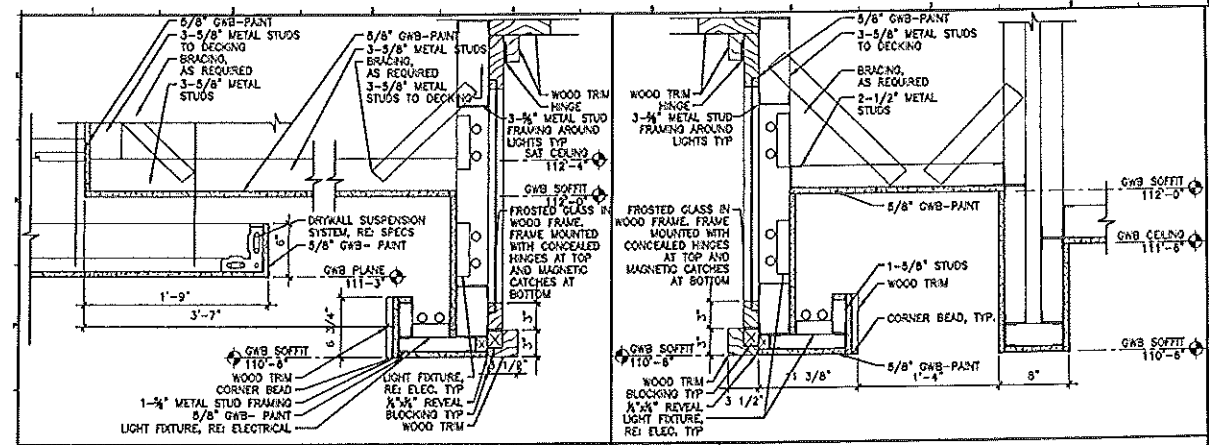
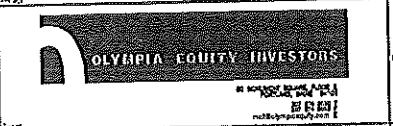


SM RT ARCHITECTURE ENGINEERING PLANNING
SABT
144 Fore Street/P.O. Box 618
Portland, Maine 04104
tel. (207) 772-3348
fax. (207) 772-1073

HILTON GARDEN INN
65 COMMERCIAL STREET
PORTLAND, MAINE

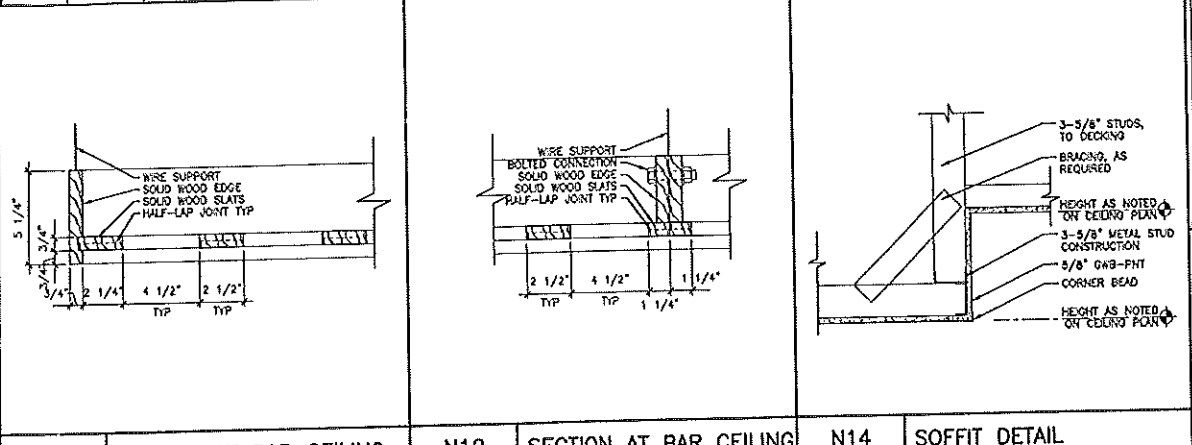
ENLARGED PLAN DETAILS

SHEET TITLE:	AS NOTED	DATE:	5-29-02
SCALE:	JLJ	GRAPHIC SCALE:	0" = 1'
PROJECT MANAGER:	D/J		
JOB CAP/DRAWN:	JLJ		
A/E OF RECORD:	AE514-02004	SHEET No.	AE514
SMRT CAD FILE:	02004		
PROJECT No.			



N1 FLOATING CEILING DETAIL
1-1/2"x1'-0" AE111

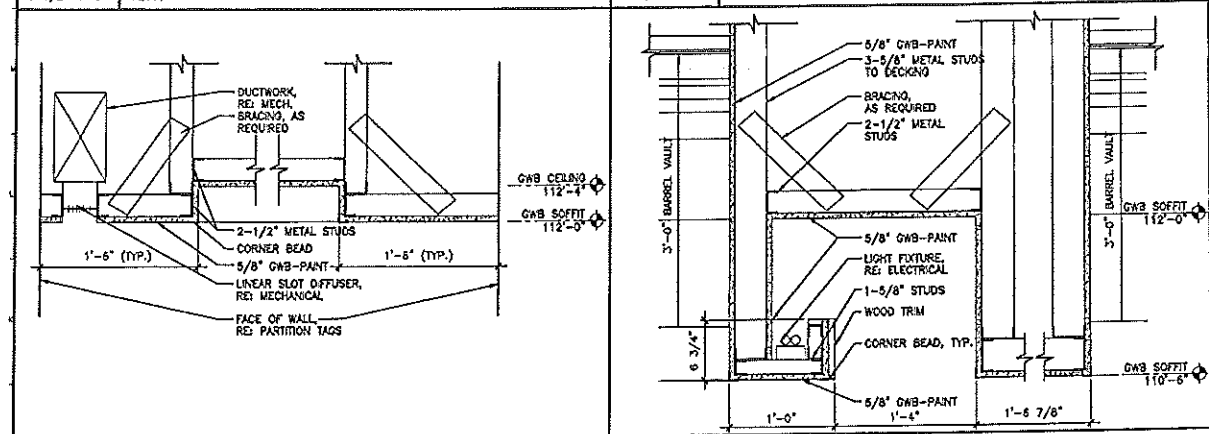
N5 SOFFIT DETAIL AT RECEPTION DESK
1-1/2"x1'-0" AE111



N9 SECTION AT BAR CEILING
3' x 1'-0" AE111

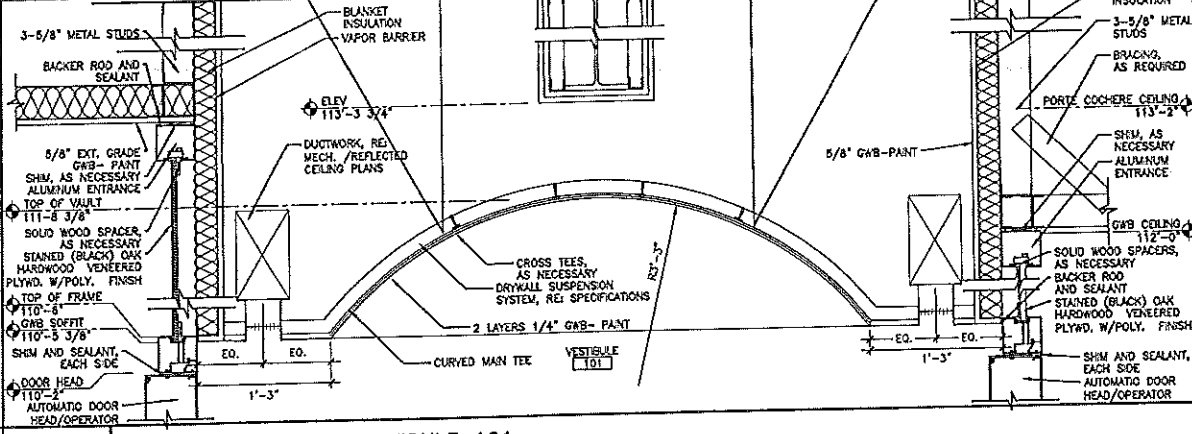
N12 SECTION AT BAR CEILING
3' x 1'-0" AE111

N14 SOFFIT DETAIL
1-1/2"x1'-0" AE112

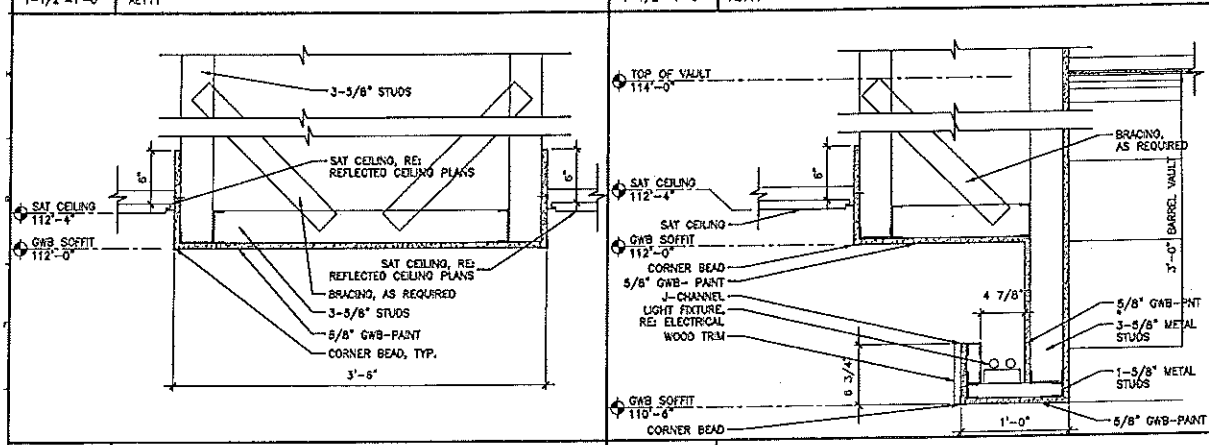


J1 CEILING/SOFFITS AT VESTIBULE 103
1-1/2"x1'-0" AE111

J5 SOFFIT DETAIL AT VAULTED CEILING
1-1/2"x1'-0" AE111

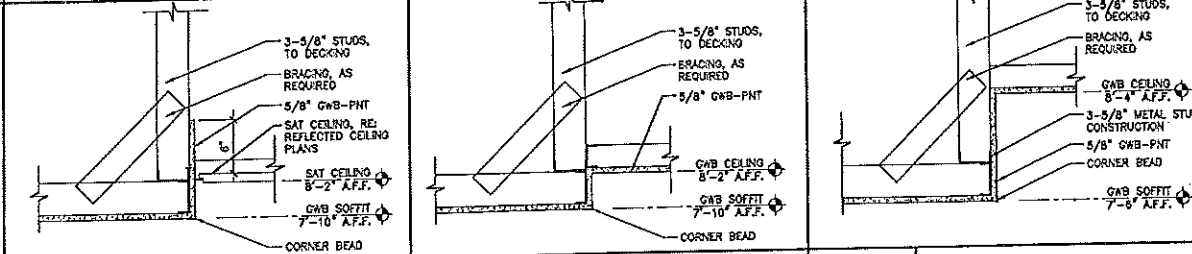


J9 VAULTED CEILING AT VESTIBULE 101
1-1/2"x1'-0" AE111



E1 SOFFIT DETAIL
1-1/2"x1'-0" AE111

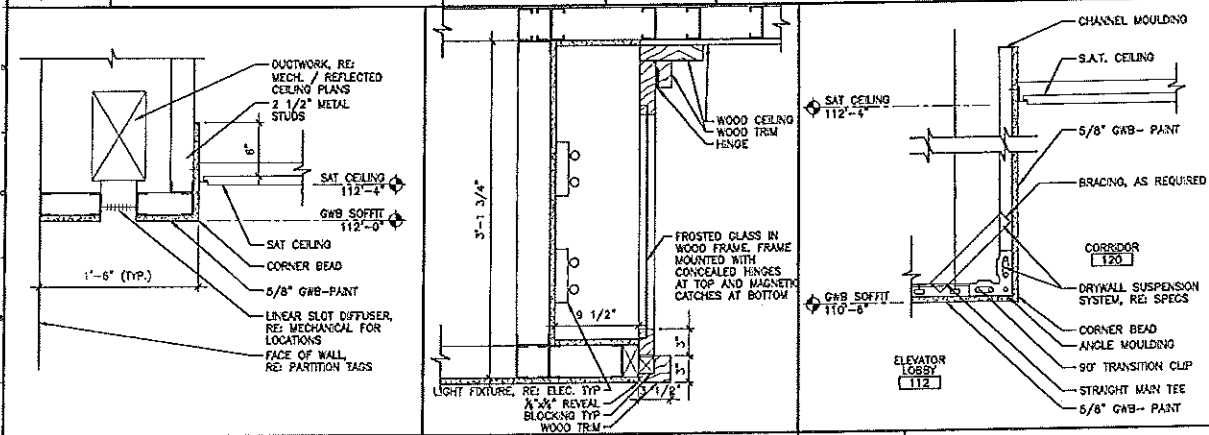
E5 SOFFIT DETAIL AT VAULTED CEILING
1-1/2"x1'-0" AE111



G9 SOFFIT DETAIL
1-1/2"x1'-0" AE112

G12 SOFFIT DETAIL
1-1/2"x1'-0" AE112, AE113, AE114, AE115, AE116

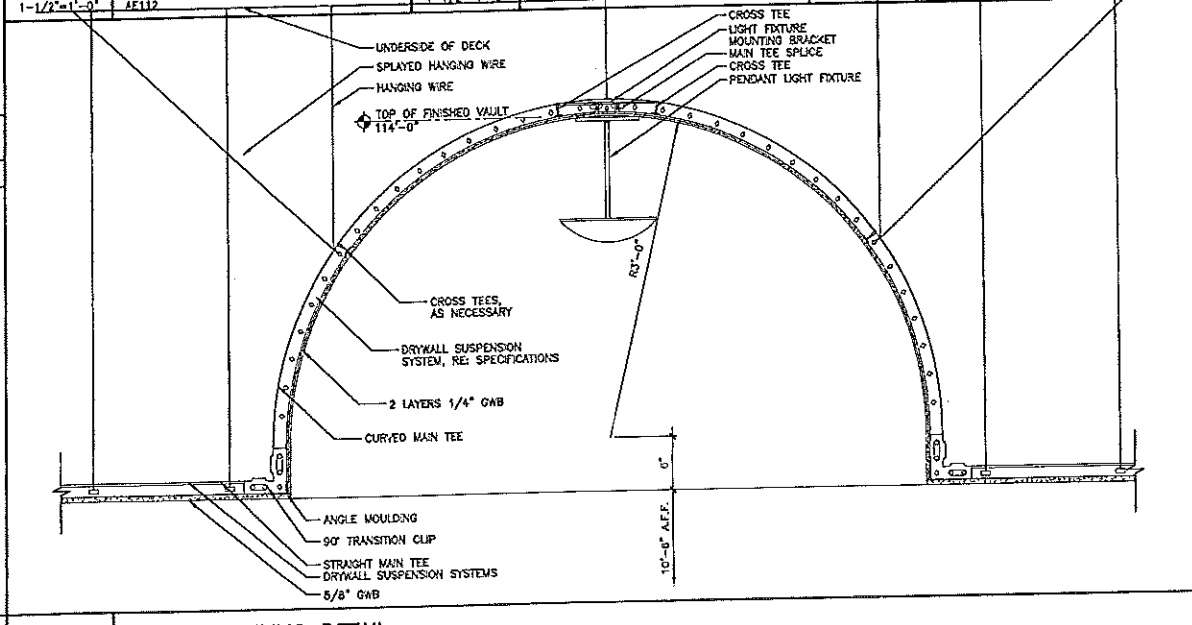
G14 SOFFIT DETAIL
1-1/2"x1'-0" AE112, AE113, AE114, AE115, AE116



A1 PERIMETER SOFFIT DETAIL
1-1/2"x1'-0" AE111

A3 SOFFIT DETAIL
1-1/2"x1'-0" AE111

A6 SOFFIT DETAIL
1-1/2"x1'-0" AE111




A9 VAULTED CEILING DETAIL
1-1/2"x1'-0" AE111

0	CONSTRUCTION DOCUMENTS	5-29-02
REV.	DESCRIPTION	DATE
CONSTRUCTION DOCUMENTS 5-29-02		
CURRENT ISSUE STATUS:		
SM RT ARCHITECTURE ENGINEERING PLANNING 144 Fore Street, 7th Fl., Portland, Maine 04104 Tel. (207) 772-1844 Fax. (207) 772-1072		
HILTON GARDEN INN 65 COMMERCIAL STREET PORTLAND, MAINE		
INTERIOR SOFFIT & CEILING DETAILS		
SHEET TITLE:	AS NOTED	DATE: 5-29-02
PROJECT MANAGER:	JLJ	GRAPHIC SCALE: 1" = 1'-0"
JOB CAP/DRYAN:	DJY	
A/E OF RECORD:	JLJ	SHEET No.
SWRT CAD FILE:	AE51-02004	AE521
PROJECT No.	02004	



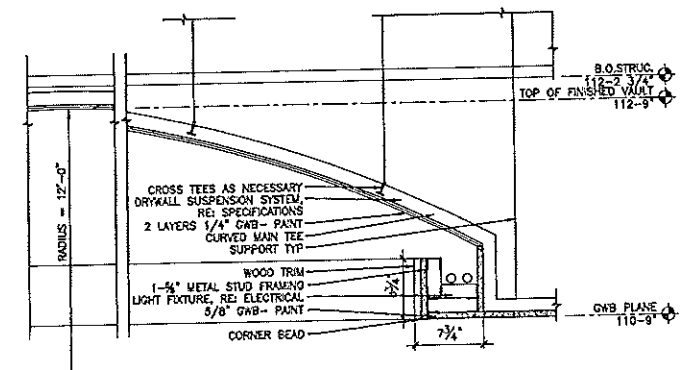
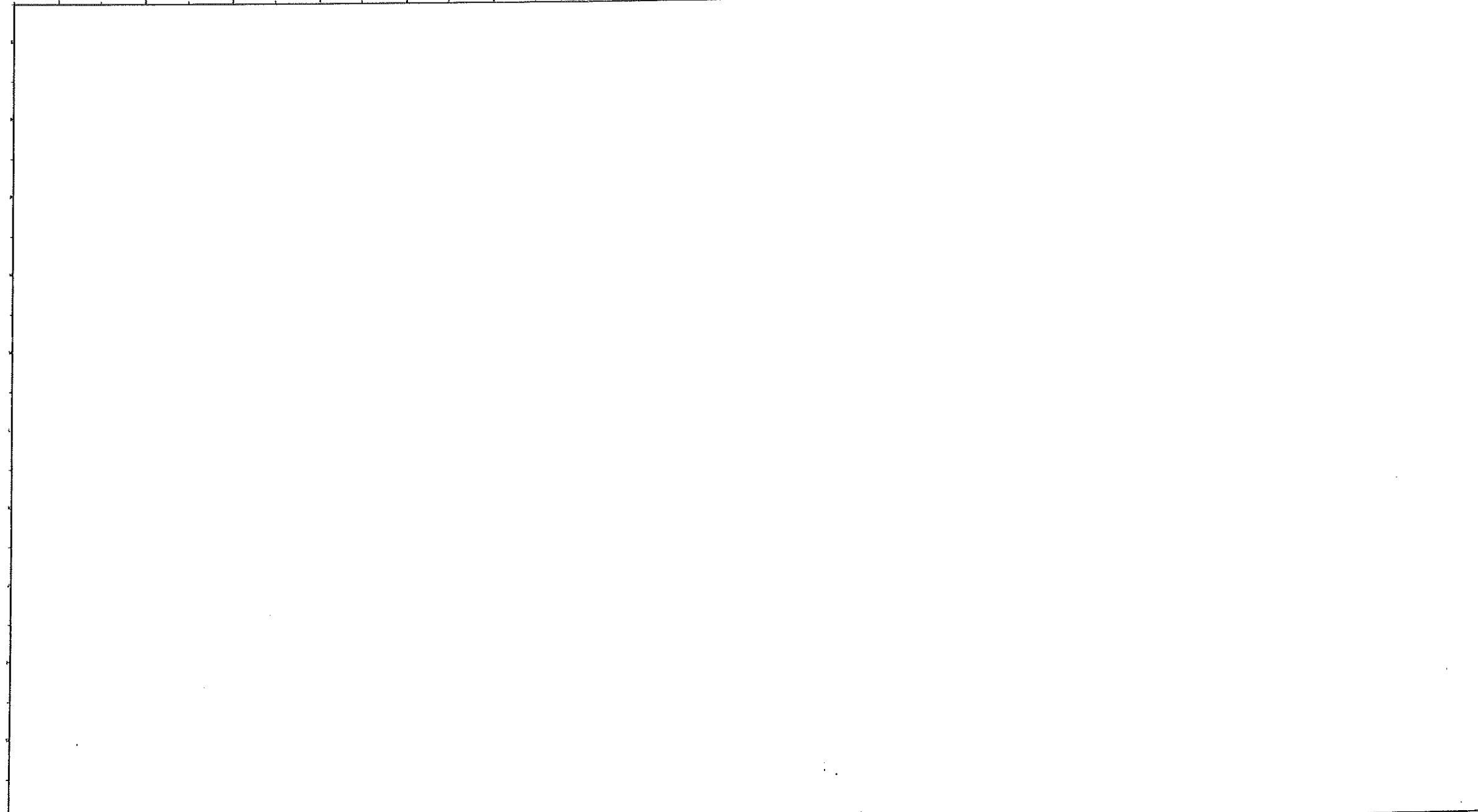
**Hilton
Garden Inn**
65 COMMERCIAL STREET
Portland, Maine



OLYMPIA EQUITY INVESTORS

**ALLIED/COOK
CONSTRUCTION**
Planners • Managers • Design/Builders
Building Excellence Since 1958

SCOTT SCOTT
Interior Interiors
21204 Brock Way, Portland, ME 04103
Tel: 781-848-7188
Fax: 781-848-7272



REV.	DESCRIPTION	DATE
0	CONSTRUCTION DOCUMENTS	5-29-02

**CONSTRUCTION DOCUMENTS
5-29-02**

CURRENT ISSUE STATUS:



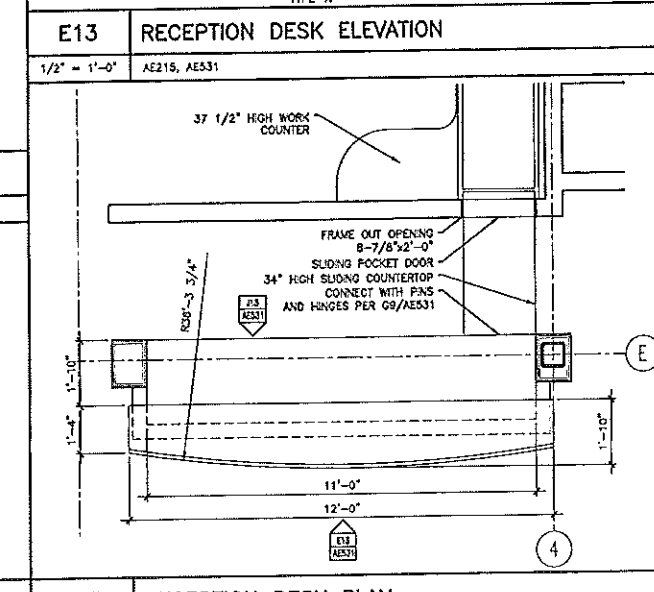
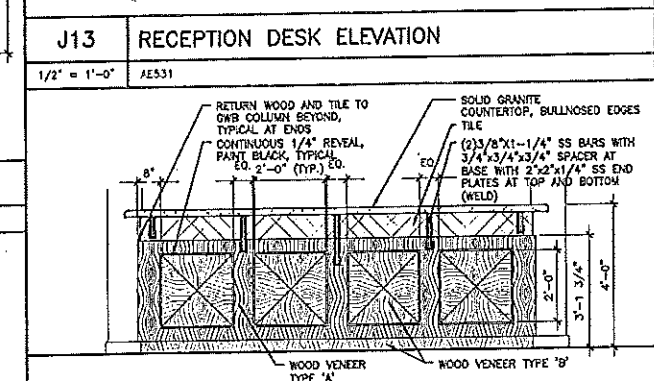
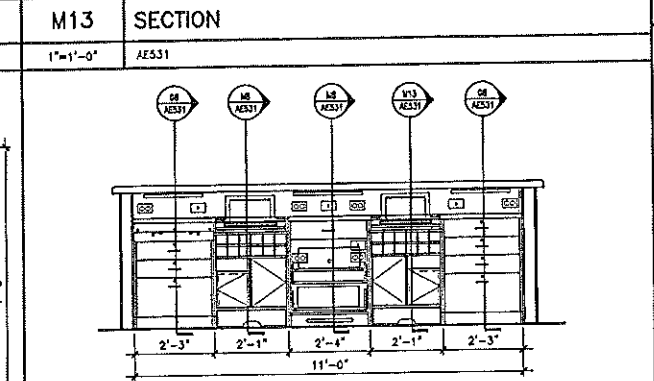
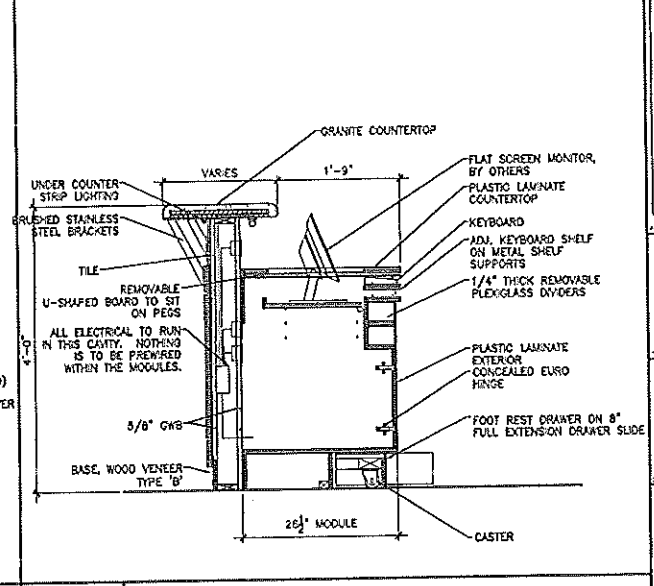
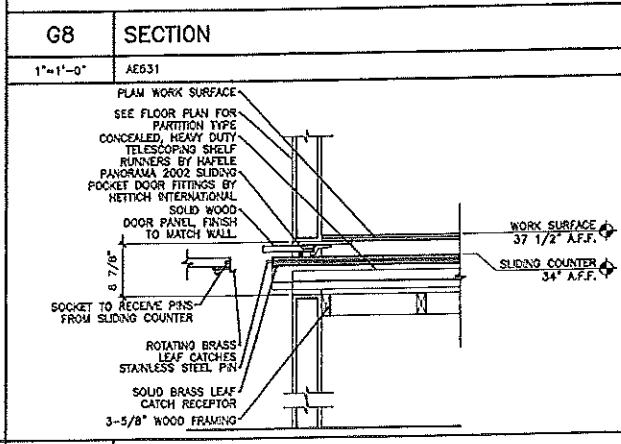
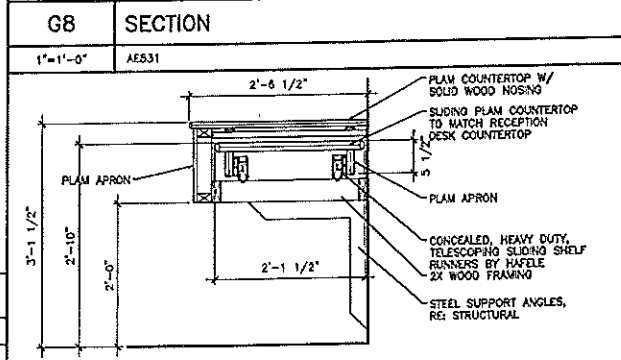
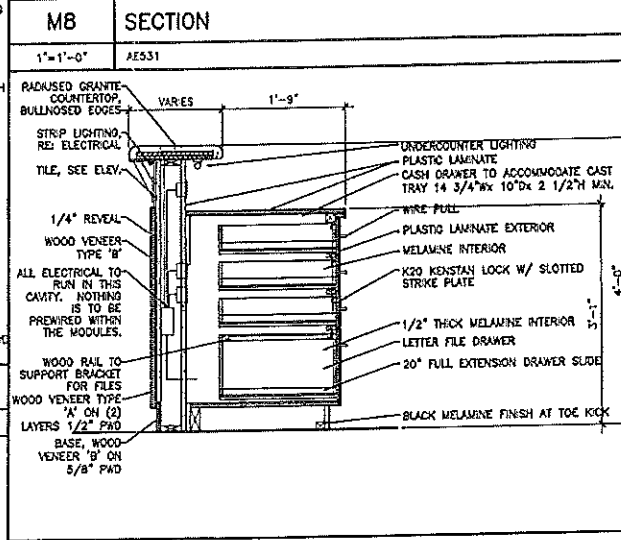
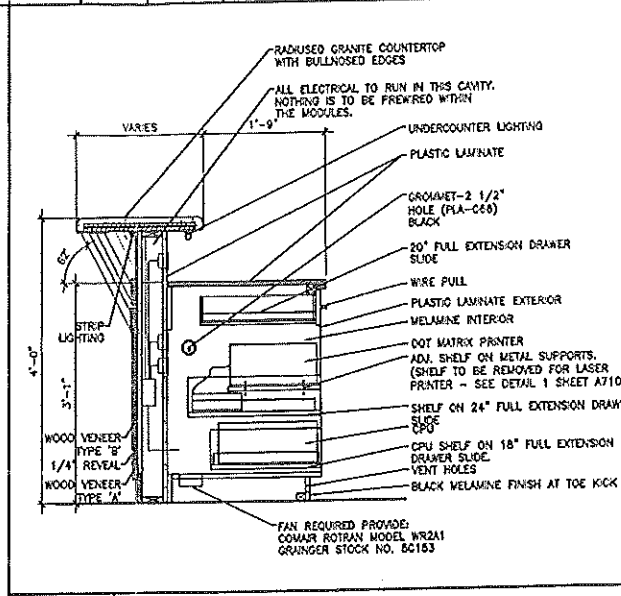
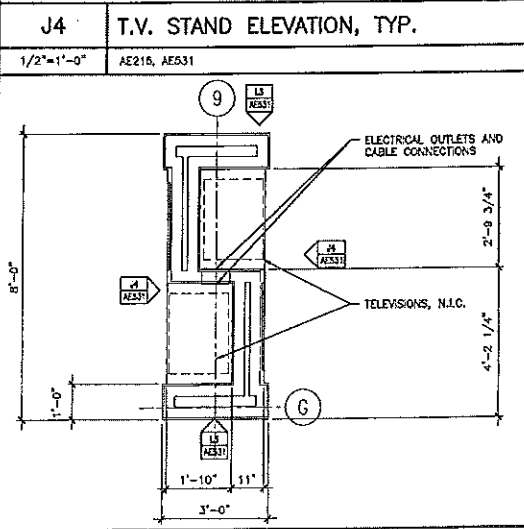
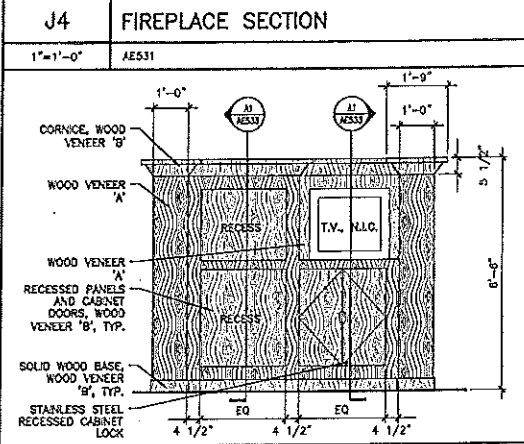
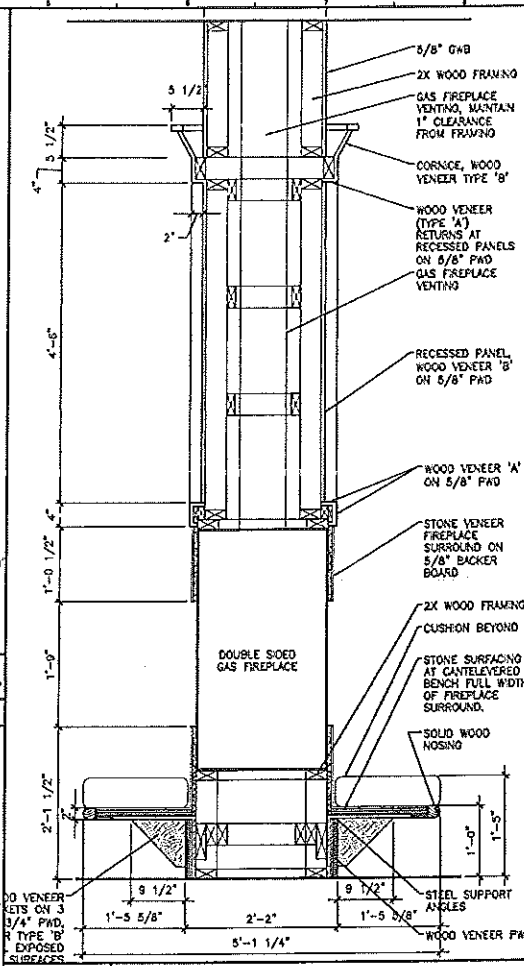
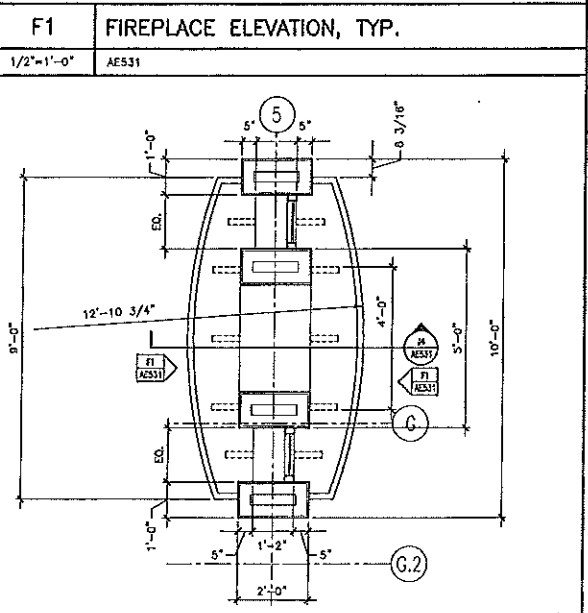
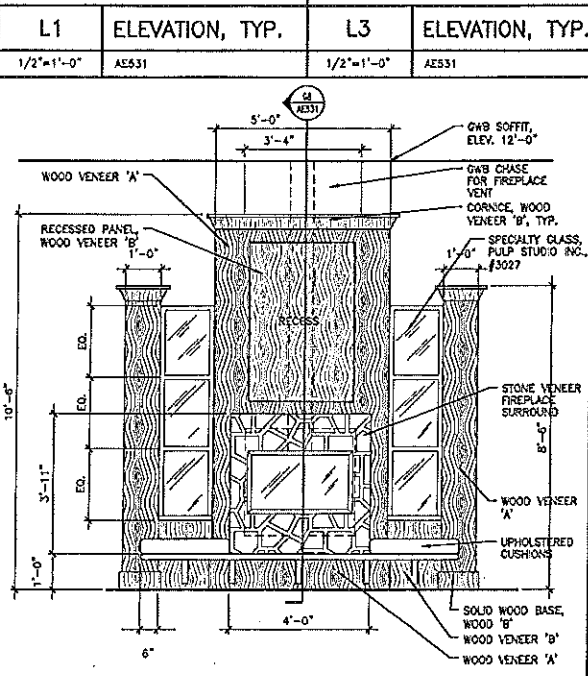
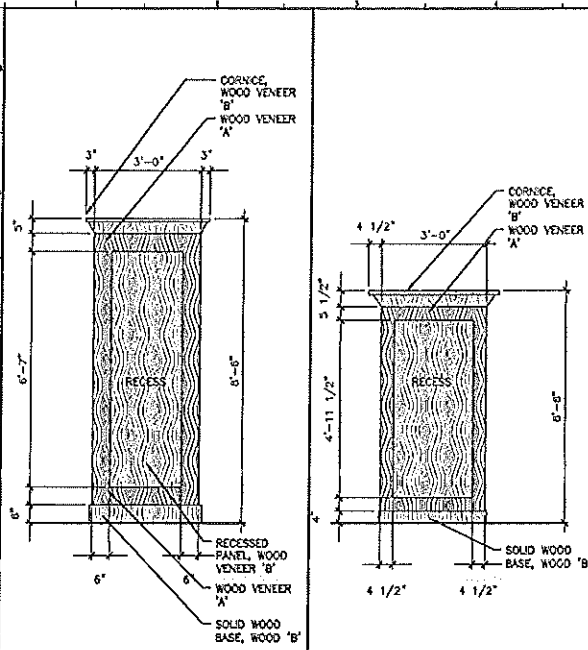
**SM
RT** ARCHITECTURE ENGINEERING PLANNING
5621
144 Fore Street P.O. Box 618
Portland, Maine 04104
Tel: (207) 772-3444
Fax: (207) 772-1070

**HILTON GARDEN INN
65 COMMERCIAL STREET
PORTLAND, MAINE**

**PROJECT:
INTERIOR SOFFIT &
CEILING DETAILS**

SHEET TITLE:	AS NOTED	DATE:	5-29-02
SCALE:	AS NOTED	GRAPHIC SCALE:	0' 1" 2'
PROJECT MANAGER:	JLJ		
JOB CAP/DRAWN:	D/J		
A/E OF RECORD:	JLJ	SHEET No.	AE522
SMART CAD FILE:	AE522-02004		
PROJECT No.	02004		

A1	-	A13	SECTION AT POOL CEILING
1-1/2"=1'-0"	AE111	1-1/2"=1'-0"	AE111



Hilton Garden Inn
65 COMMERCIAL STREET
Portland, Maine

OLYMPIA EQUITY INVESTORS

Allied/Cook CONSTRUCTION
Planners • Managers • Designers/Builders
Building Excellence Since 1958

SCOTT SCOTT
Interior

GENERAL NOTES:
1. WOOD TYPES REFERENCED ON THIS SHEET SHALL BE DEFINED AS FOLLOWS:
WOOD TYPE 'A': MAHOGANY VENEER PLYWOOD, STAINED
WOOD TYPE 'B': SAPELE VENEER PLYWOOD STAINED
WOOD TRIM AND WOOD BASE: SOLID MAHOGANY, STAINED

REV.	DESCRIPTION	DATE

CONSTRUCTION DOCUMENTS 5-29-02

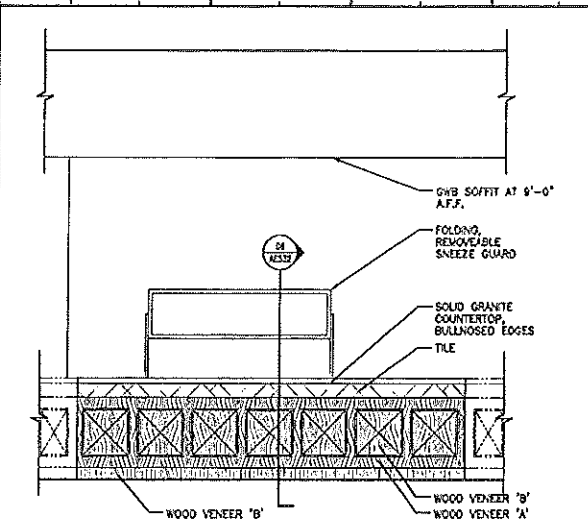
JUDY L. JOHNSON
REGISTERED ARCHITECT
STATE OF MAINE

SMRT
ARCHITECTURE ENGINEERING PLANNING

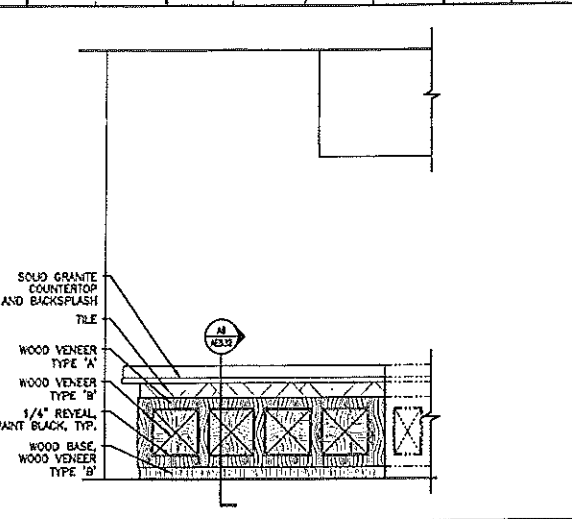
HILTON GARDEN INN
65 COMMERCIAL STREET
PORTLAND, MAINE

CASEWORK PLANS, SECTIONS AND DETAILS

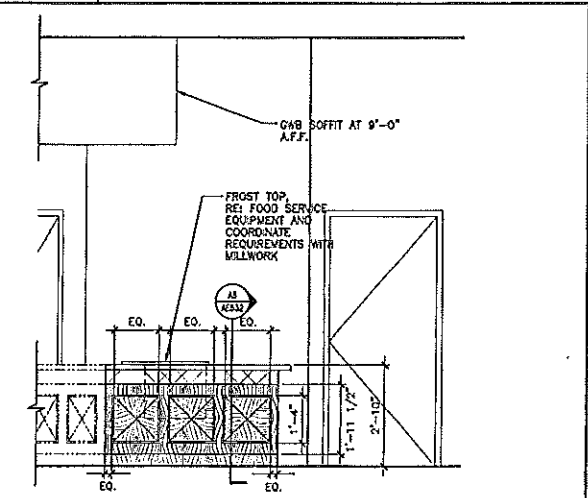
SHEET TITLE: AE531
SCALE: AS NOTED
PROJECT MANAGER: J.L.J.
JOB CAP/DRAWING: D.M.
DATE OF RECORD: J.L.J.
SVMT CAD FILE: AE531-02004
PROJECT No.: 02004



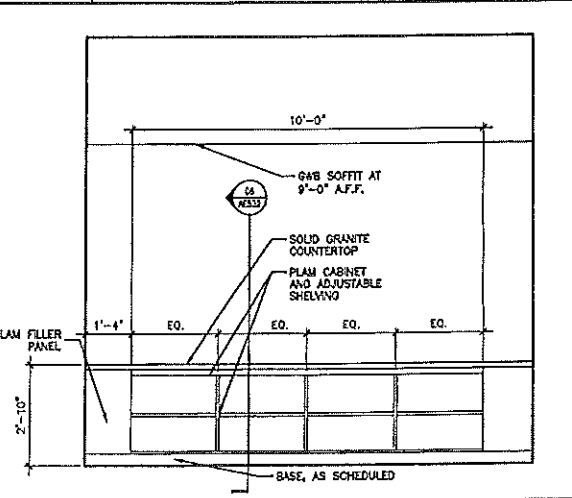
M1 ELEVATION
1/2" = 1'-0" AES32



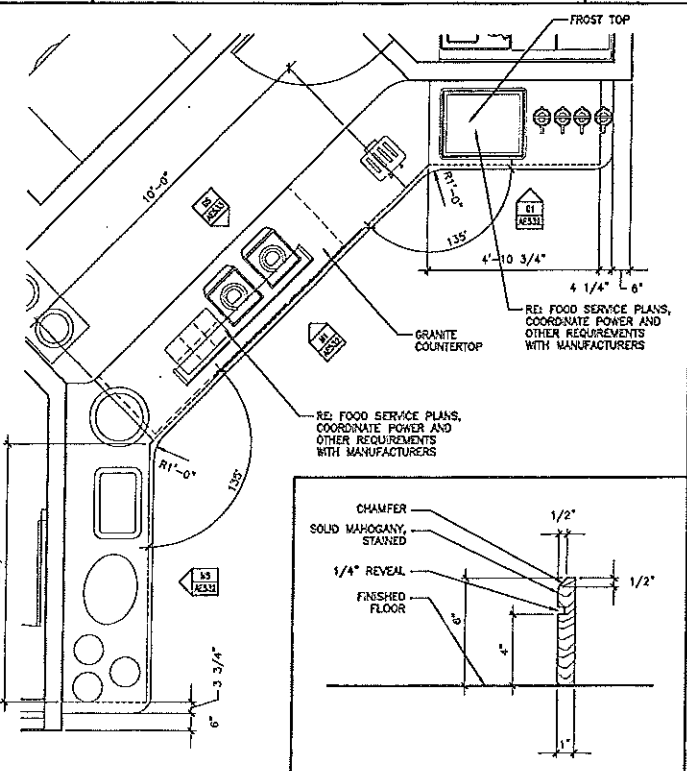
M5 ELEVATION
1/2" = 1'-0" AES32



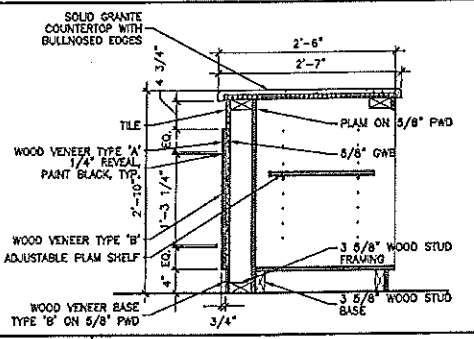
G1 ELEVATION
1/2" = 1'-0" AES32



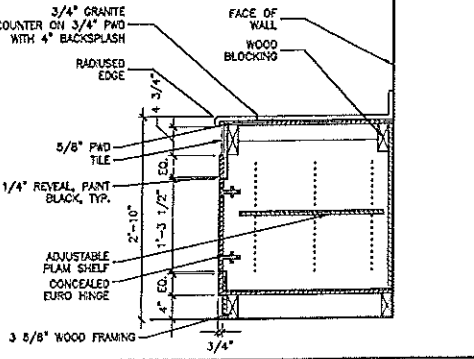
G5 ELEVATION
1/2" = 1'-0" AES32



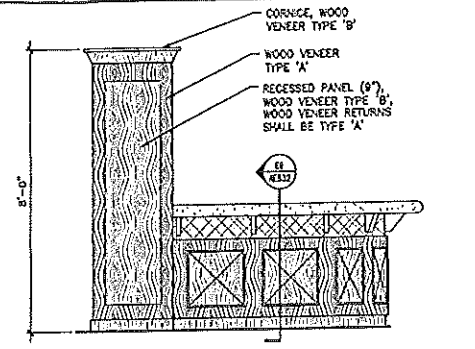
A1 ENLARGED PLAN
1/2" = 1'-0" AE101



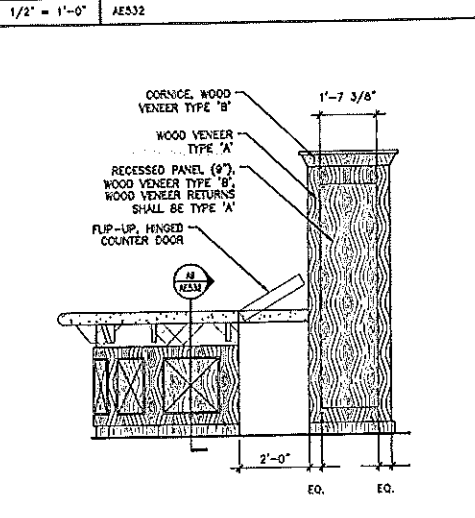
D6 SECTION
1" = 1'-0" AES32



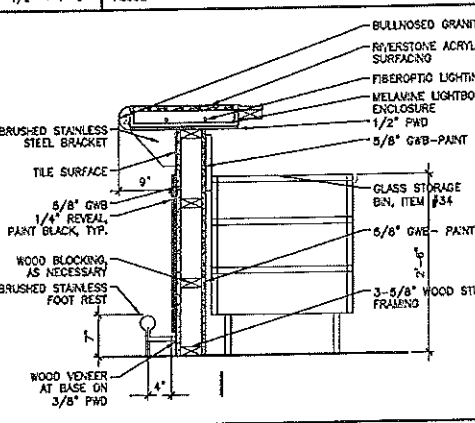
A6 SECTION
1" = 1'-0" AES32



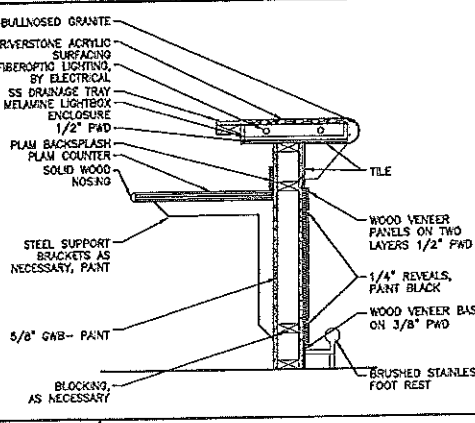
N9 ELEVATION
1/2" = 1'-0" AES32



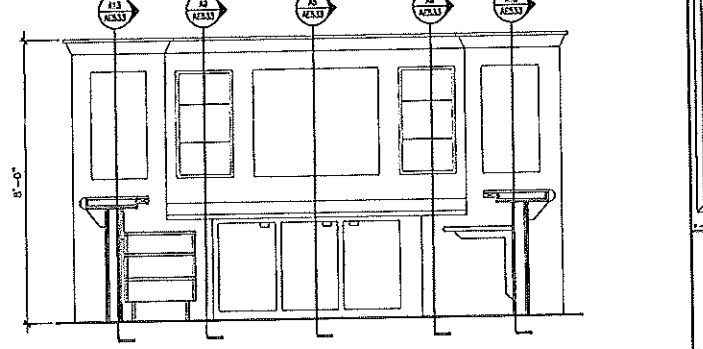
J9 ELEVATION
1/2" = 1'-0" AES32



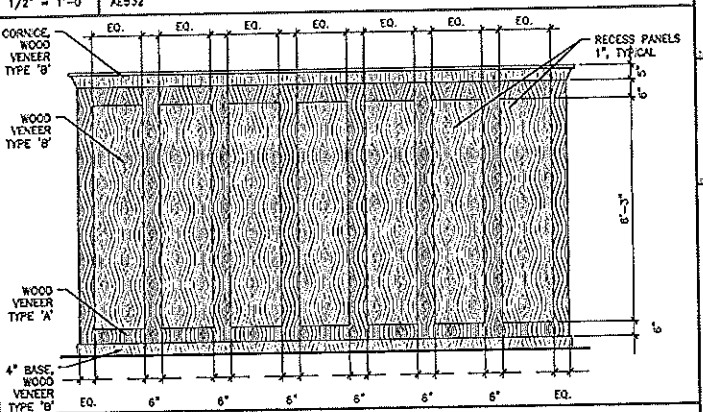
E9 SECTION
1" = 1'-0" AES32



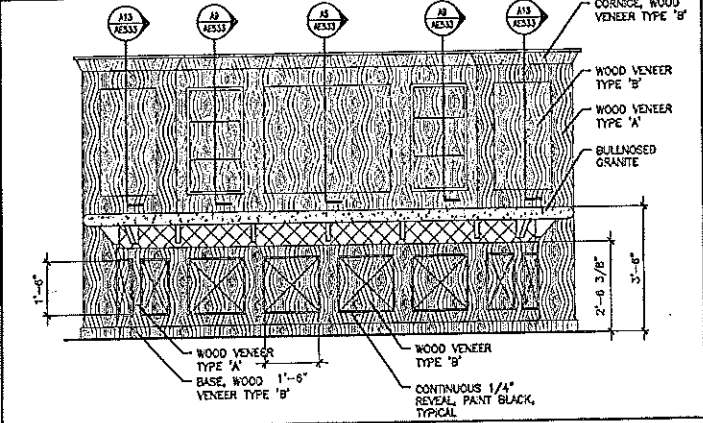
A9 SECTION
1" = 1'-0" AES32



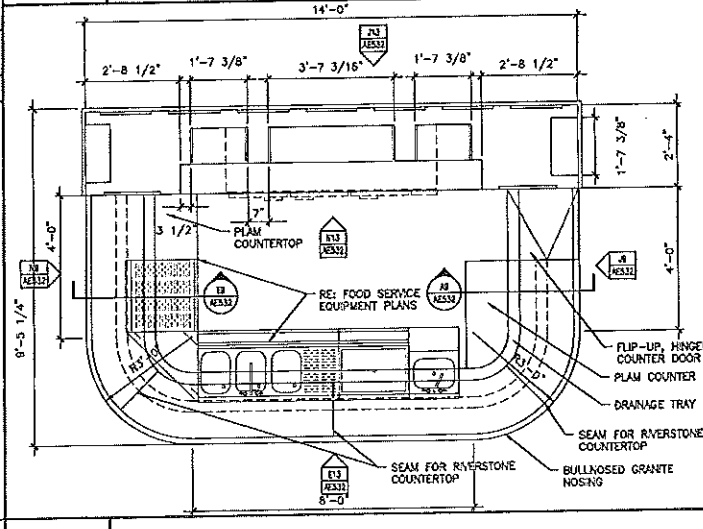
N13 ELEVATION
1/2" = 1'-0" AES32



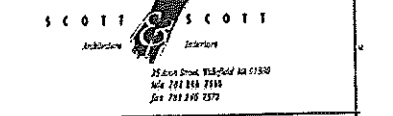
J13 ELEVATION
1/2" = 1'-0" AES32



E13 ELEVATION
1/2" = 1'-0" AES32

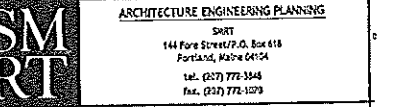


A13 ENLARGED PLAN
1/2" = 1'-0" AE101



GENERAL NOTES:
1. WOOD TYPES REFERENCED ON THIS SHEET SHALL BE DEFINED AS FOLLOWS:
WOOD TYPE 'A': MAHOGANY VENEER PLYWOOD, STAINED
WOOD TYPE 'B': SAPELE VENEER PLYWOOD STAINED
WOOD TRIM AND WOOD BASE: SOLID MAHOGANY, STAINED

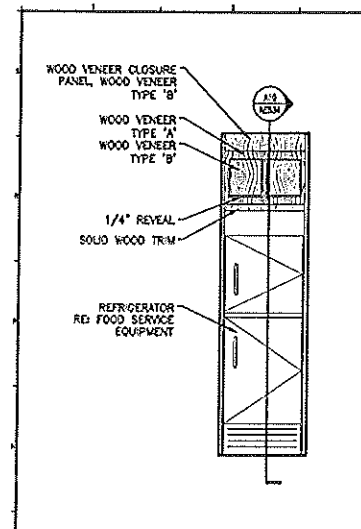
CONSTRUCTION DOCUMENTS
5-29-02



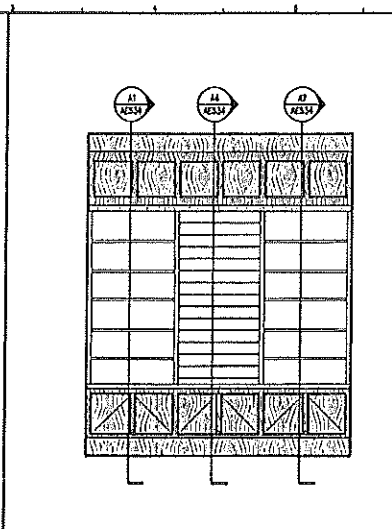
HILTON GARDEN INN
65 COMMERCIAL STREET
PORTLAND, MAINE

BAR CASEWORK PLANS, SECTIONS AND DETAILS

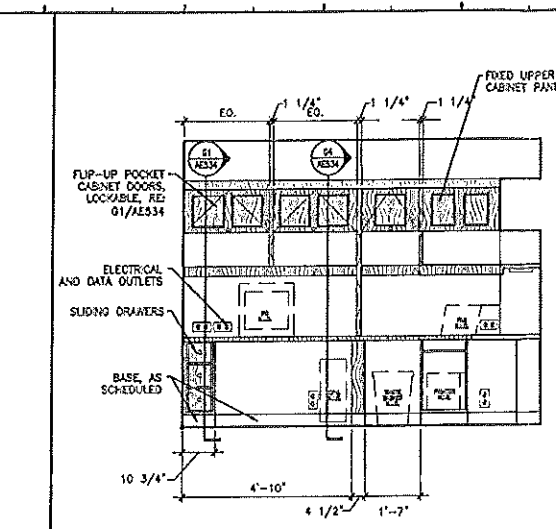
SHEET TITLE:	AS NOTED	DATE:	5-29-02
SCALE:		GRAPHIC SCALE:	0'
PROJECT MANAGER:	JLJ		
JOB CAP/DRAWN:	DJM		
A/E OF RECORD:	JLJ		
SURT CAD FILE:	AES32-02004	SHEET No.:	AE532
PROJECT No.:	02004		



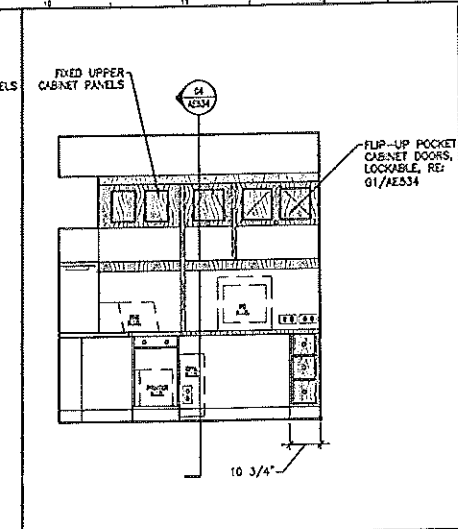
M1 PANTRY ELEVATION
1/2"=1'-0" AE215, AE533



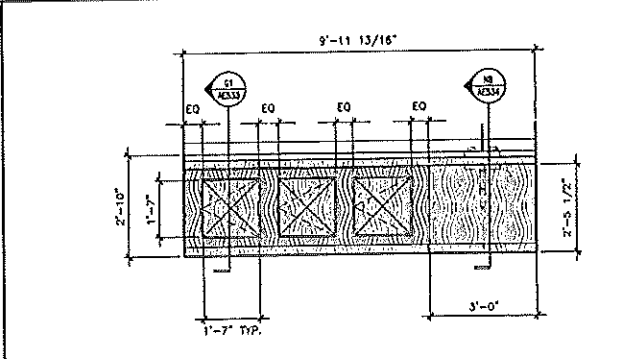
M3 PANTRY ELEVATION
1/2"=1'-0" AE215, AE533



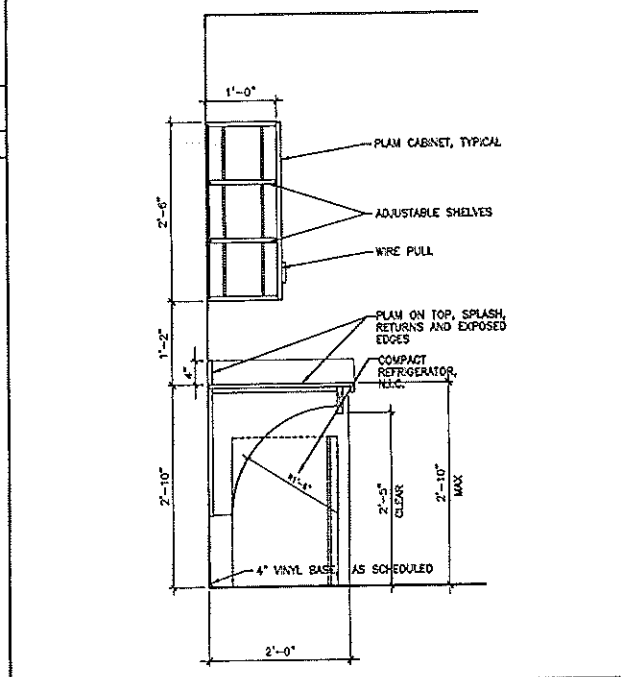
M6 BUSINESS CENTER ELEVATION
1/2"=1'-0" AE533



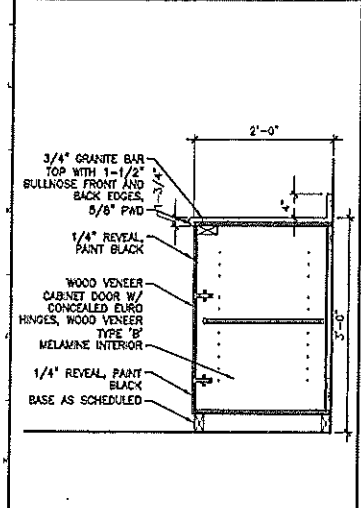
M10 BUSINESS CENTER ELEVATION
1/2"=1'-0" AE533



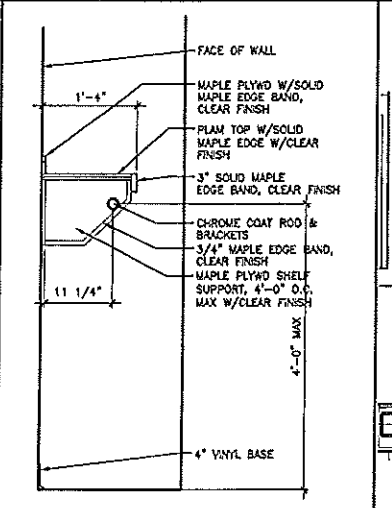
N13 MEETING ROOM COUNTER ELEVATION
1/2"=1'-0" AE101



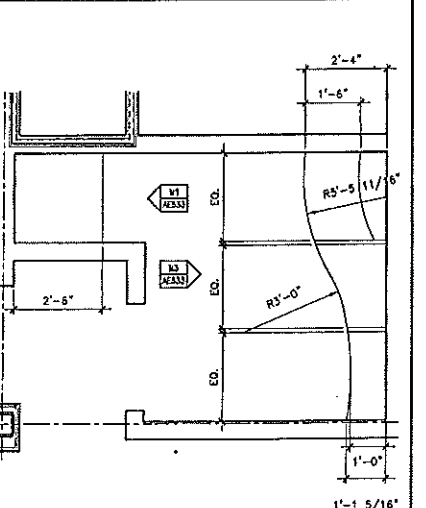
G13 BREAK ROOM CABINET/COUNTER SECTION
1"=1'-0" AE101



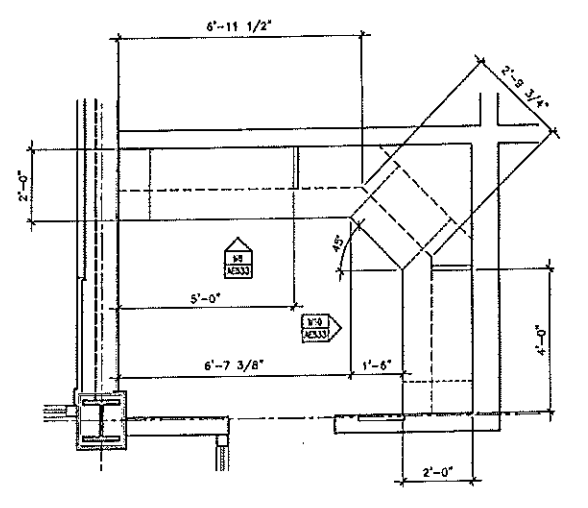
G1 TYPICAL COUNTER SECTION
1"=1'-0" AE533



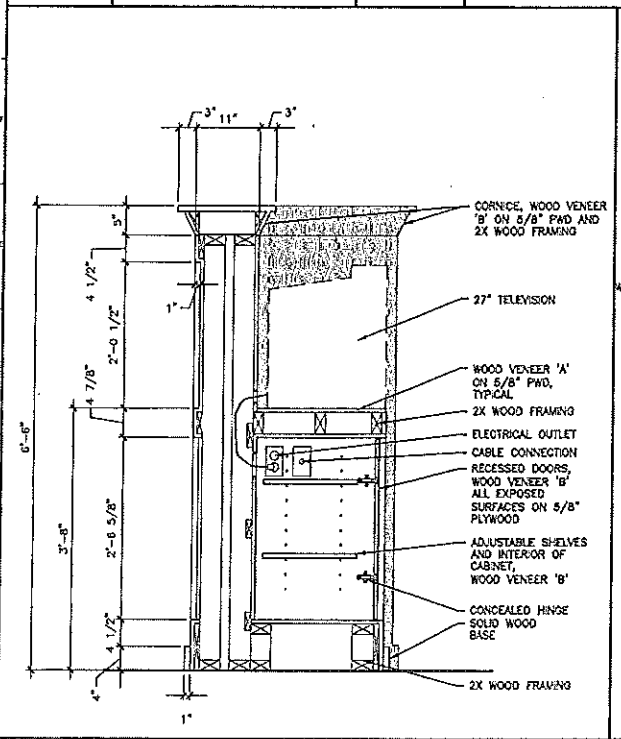
G2 CLOSET SECTION
1"=1'-0" -



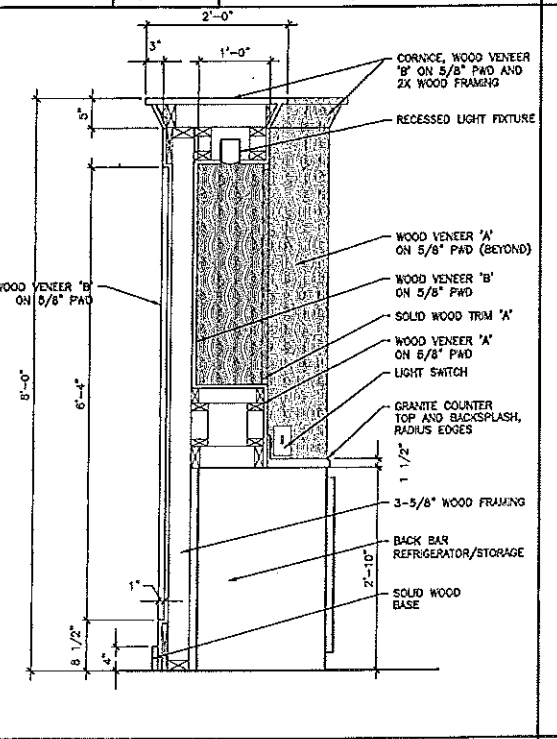
G6 PANTRY MILLWORK PLAN
1/2"=1'-0" AE101



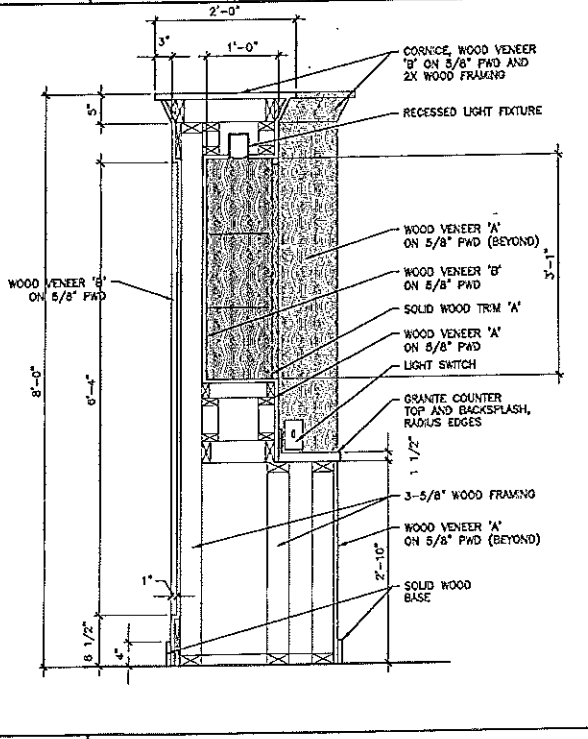
G9 ENLARGED BUSINESS CENTER PLAN
1/2"=1'-0" AE101



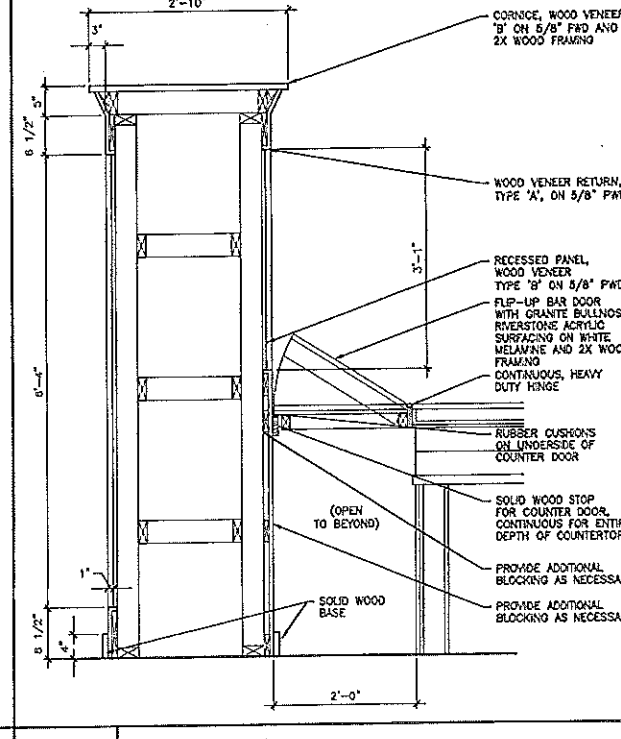
A1 TELEVISION CENTER SECTION
1"=1'-0" AE531



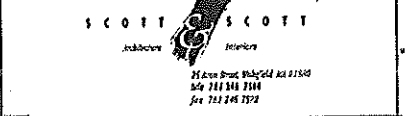
A5 BAR SECTION
1"=1'-0" AE532



A9 BAR SECTION
1"=1'-0" AE532



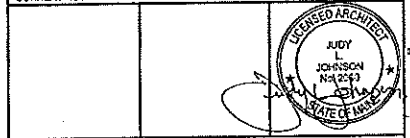
A13 BAR SECTION
1"=1'-0" AE532



GENERAL NOTES:
1. WOOD TYPES REFERENCED ON THIS SHEET SHALL BE DEFINED AS FOLLOWS:
WOOD TYPE 'A': MAHOGANY VENEER PLYWOOD, STAINED
WOOD TYPE 'B': SAPELE VENEER PLYWOOD STAINED
WOOD TRIM AND WOOD BASE: SOLID MAHOGANY, STAINED

REV.	DESCRIPTION	DATE

CONSTRUCTION DOCUMENTS
5-29-02

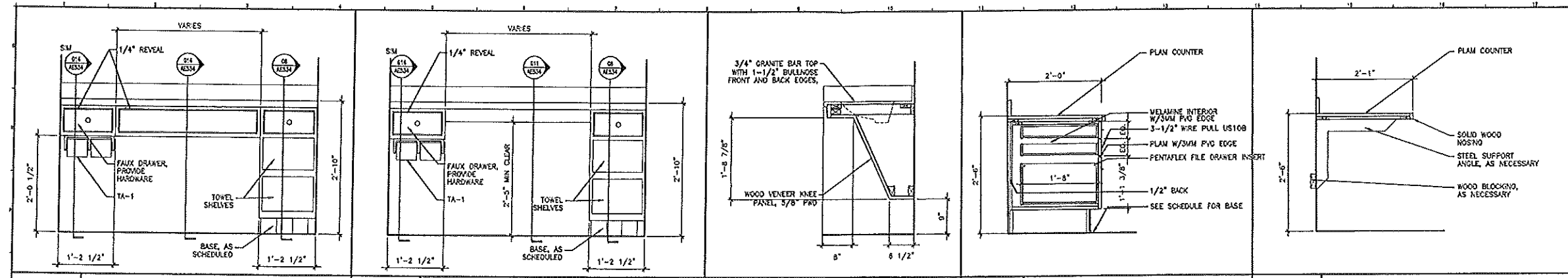


ARCHITECTURE ENGINEERING PLANNING
SMRT
144 Fore Street, P.O. Box 115
Portland, Maine 04104
Tel: (207) 772-3546
Fax: (207) 772-1270

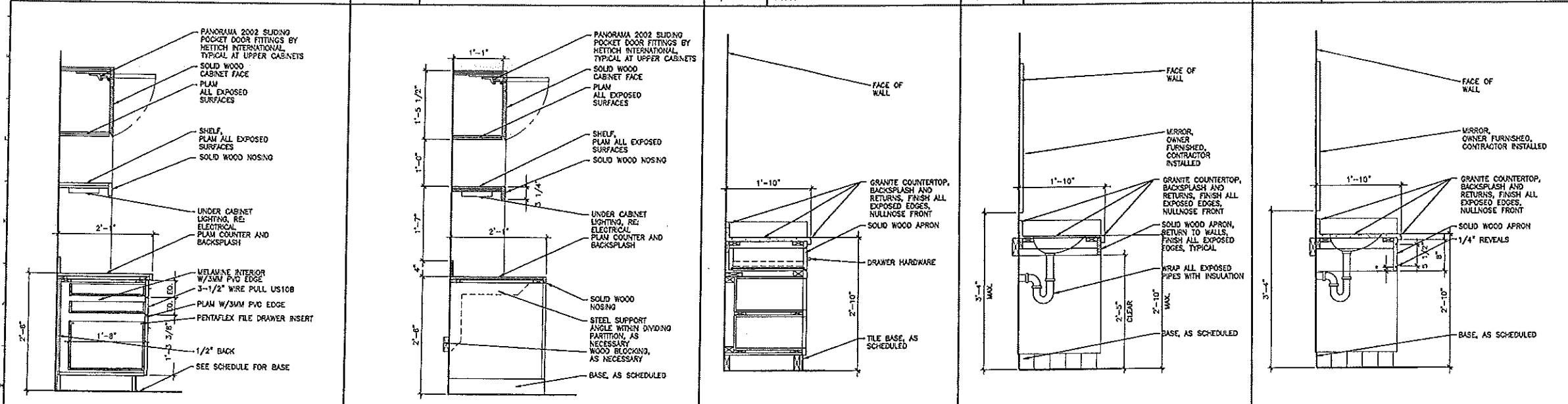
HILTON GARDEN INN
65 COMMERCIAL STREET
PORTLAND, MAINE

CASEWORK PLANS, SECTIONS AND DETAILS

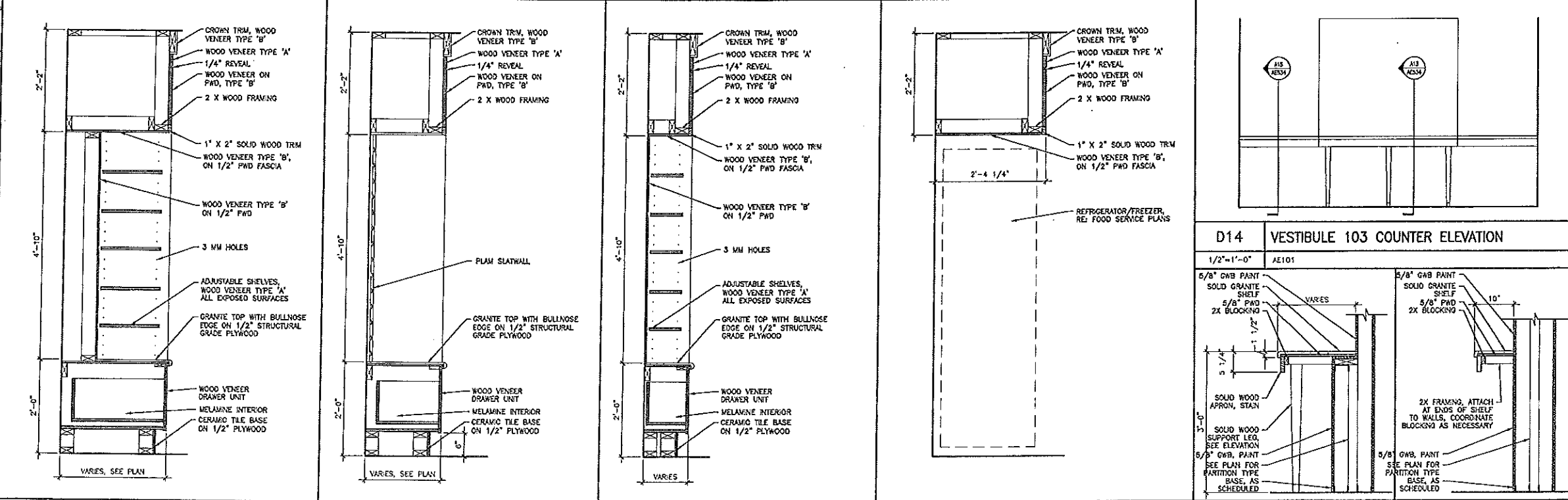
SHEET TITLE:	DATE:
SCALE: AS NOTED	5-29-02
PROJECT MANAGER: J.L.J.	GRAPHIC SCALE: 0"
JOB CAP/DRAWN: D.M.	
A/E OF RECORD: J.L.J.	SHEET No.:
SVRT CAD FILE: AE533-02004	AE533
PROJECT No. 02004	



M1	TYPICAL VANITY ELEVATION	M4	H.C. VANITY ELEVATION	N8	COUNTER SECTION	N11	ADMIN WORKSTATION SECTION	N14	ADMIN WORKSTATION SECTION
1'-0"=1'-0"	AE211, AE212, AE213, AE214	1'-0"=1'-0"	AE211	1'-1/2"=1'-0"	AE533	1'-1/2"=1'-0"	AE401A	1'-1/2"=1'-0"	AE401A



G1	BUSINESS CENTER SECTION	G4	BUSINESS CENTER SECTION	G8	VANITY SECTION	G11	TYPICAL HANDICAP VANITY	G14	TYPICAL VANITY SECTION @ SINK
1'-1/2"=1'-0"	AE533	1'-1/2"=1'-0"	AE533	1'-1/2"=1'-0"	AE534	1'-1/2"=1'-0"	AE534	1'-1/2"=1'-0"	AE534



A1	PANTRY SECTION	A4	PANTRY SECTION	A7	PANTRY SECTION	A10	PANTRY REFRIGERATOR SECTION	A13	SECTION	A15	SECTION
1'-0"=1'-0"	AE533	1'-0"=1'-0"	AE533	1'-0"=1'-0"	AE533	1'-0"=1'-0"	-	1'-0"=1'-0"	-	1'-0"=1'-0"	-

Hilton Garden Inn
65 COMMERCIAL STREET
Portland, Maine

OLYMPIA EQUITY INVESTORS
1000 BOSTON STREET, SUITE 200
PORTLAND, ME 04104
TEL: (207) 772-1279

ALLIED/COOK CONSTRUCTION
Planners • Managers • Design/Builders
Building Excellence Since 1958

SCOTT SCOTT
ARCHITECTS
25 New Street, Suite 410
Portland, ME 04101
Tel: 781 781 1141
Fax: 781 545 1577

GENERAL NOTES:
1. WOOD TYPES REFERENCED ON THIS SHEET SHALL BE DEFINED AS FOLLOWS:
WOOD TYPE 'A': MAHOGANY VENEER PLYWOOD, STAINED
WOOD TYPE 'B': SAPELE VENEER PLYWOOD STAINED
WOOD TRIM AND WOOD BASE: SOLID MAHOGANY, STAINED

REV.	DESCRIPTION	DATE

CONSTRUCTION DOCUMENTS
5-29-02

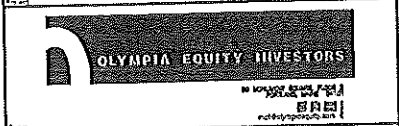
CURRENT ISSUE STATUS: **ISSUED ARCHITECT**
JULY 1, 2002
JOHNSON
No. 2002
STATE OF MAINE

SMRT ARCHITECTURE ENGINEERING PLANNING
144 Fore Street, P.O. Box 618
Portland, Maine 04104
Tel: (207) 772-3848
Fax: (207) 772-1279

HILTON GARDEN INN
65 COMMERCIAL STREET
PORTLAND, MAINE

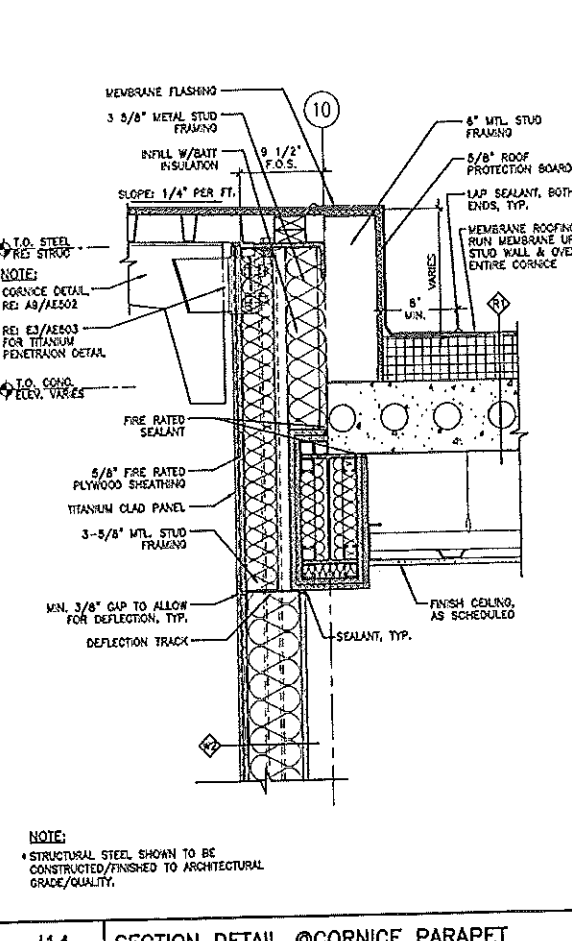
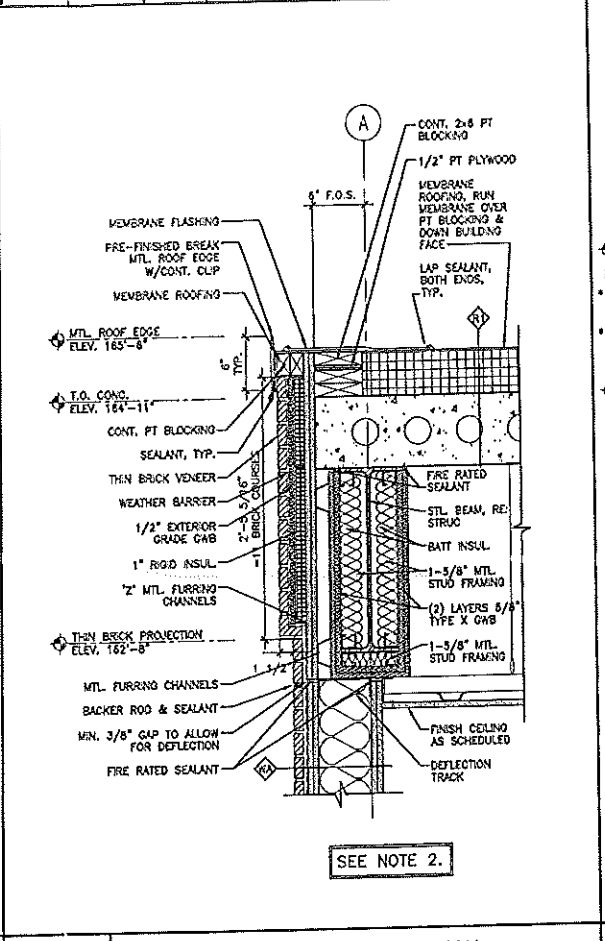
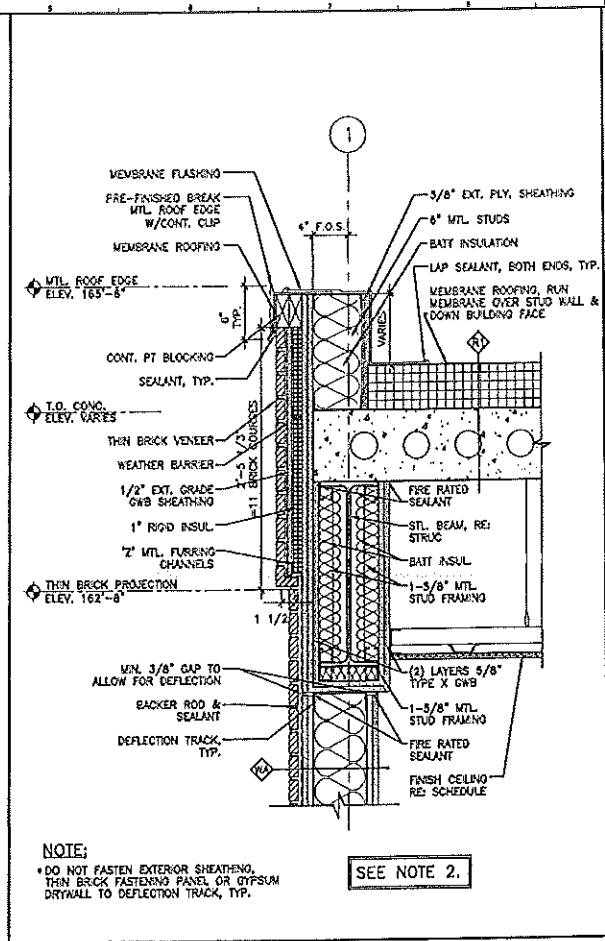
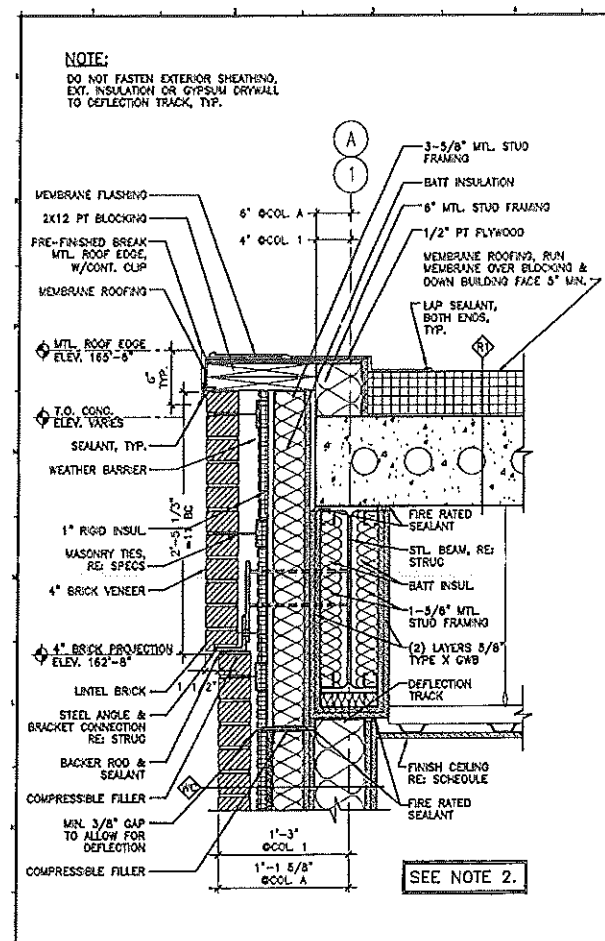
CASEWORK PLANS, SECTIONS AND DETAILS

SHEET TITLE:	AS NOTED	DATE:	5-29-02
SCALE:	AS NOTED	GRAPHIC SCALE:	0"
PROJECT MANAGER:	JLJ	GRAPHIC SCALE:	0"
JOB CAP/DRAWN:	DJM	SHEET No.:	
A/E OF RECORD:	JLJ	PROJECT No.:	02004
SMRT CAD FILE:	AE534-02004		
			AE534



GENERAL NOTES:

1. PROVIDE A CONT. LEVEL GWB SOFFIT IN ROOMS WHERE SLOPED STRUCTURAL STEEL EXTENDS DOWN BELOW THE ROOMS FINISH CEILING. RE: DETAILS AE501, AE502, AE503
2. REFER TO EXTERIOR WALL CONSTRUCTION LEGENDS ON G-002 FOR ACTUAL CONSTRUCTION DESCRIPTIONS.

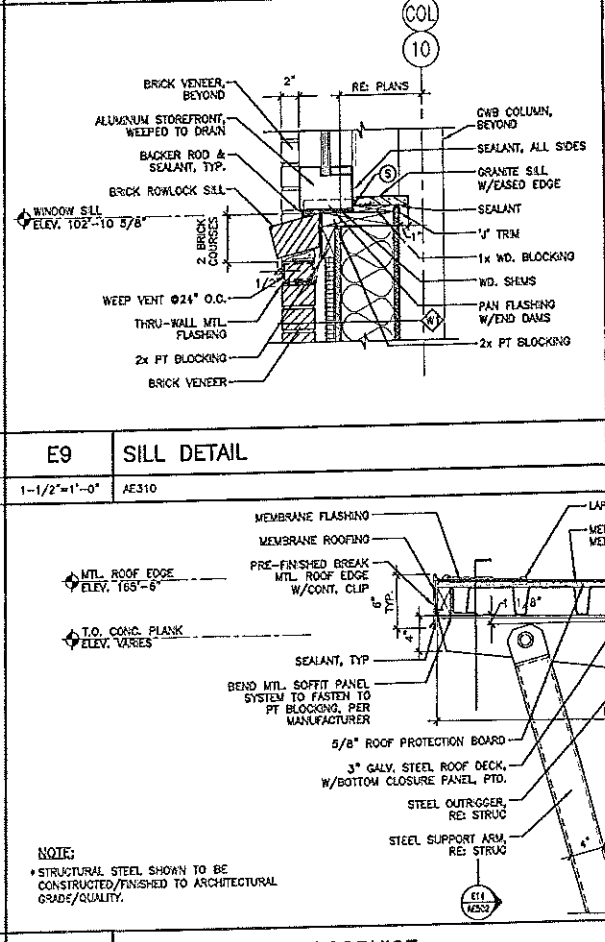
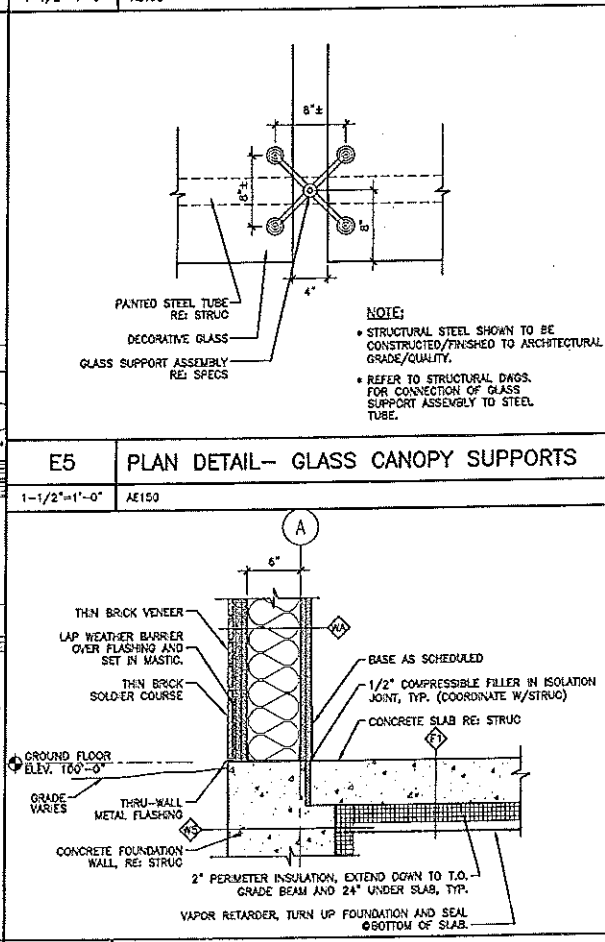
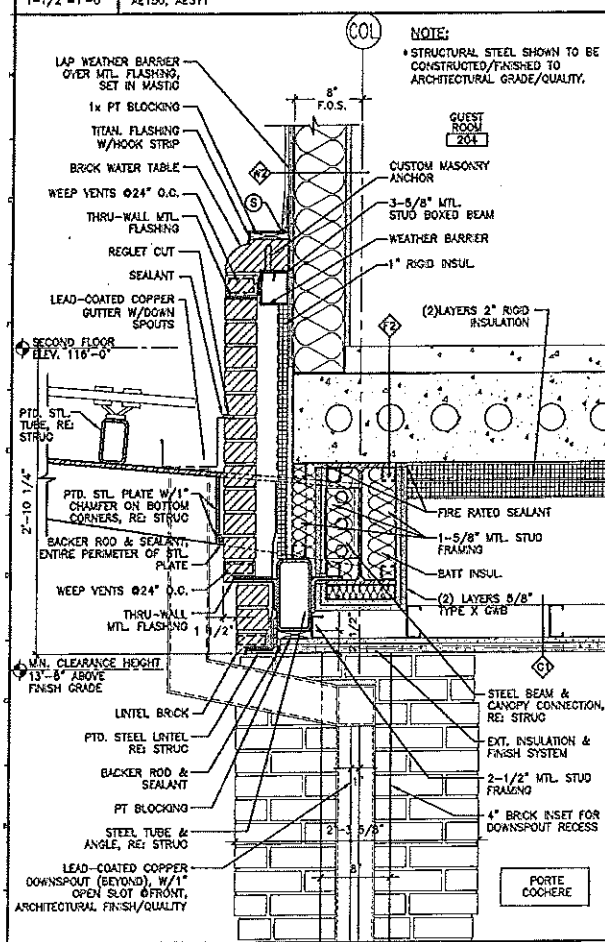


J1 ROOF EDGE DETAIL @ 4" BRICK
1-1/2"x1'-0" AE150, AE311

J5 ROOF EDGE DETAIL @ THIN BRICK PARAPET
1-1/2"x1'-0" AE150

J9 ROOF EDGE DETAIL @ THIN BRICK
1-1/2"x1'-0" AE150, AE310

J14 SECTION DETAIL @ CORNICE PARAPET
1-1/2"x1'-0" AE150



A1 SECTION @ MARQUE/CANOPY
1-1/2"x1'-0" AE101, AE201

A5 SECTION @ THIN BRICK BASE
1-1/2"x1'-0" AE310, AE311

A9 SECTION DETAIL @ CORNICE
1-1/2"x1'-0" AE310

E5 PLAN DETAIL - GLASS CANOPY SUPPORTS
1-1/2"x1'-0" AE150

E9 SILL DETAIL
1-1/2"x1'-0" AE310

E14 SECTION
1-1/2"x1'-0" AE501, AE502

CONSTRUCTION DOCUMENTS
5-29-02

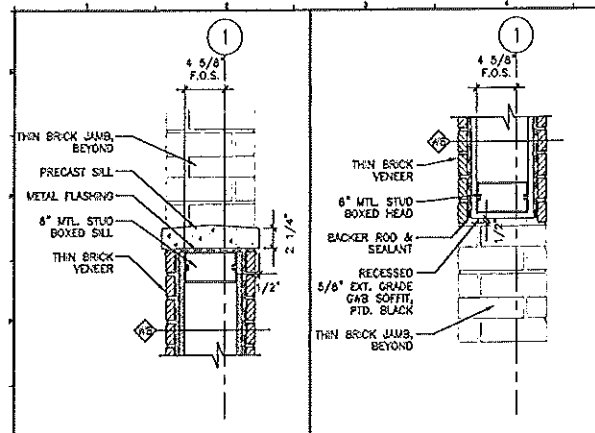


ARCHITECTURE ENGINEERING PLANNING
SMRT
144 Fore Street, 2nd Fl., Portland, ME 04104
Tel. (207) 772-3545
Fax. (207) 772-1573

HILTON GARDEN INN
65 COMMERCIAL STREET
PORTLAND, MAINE

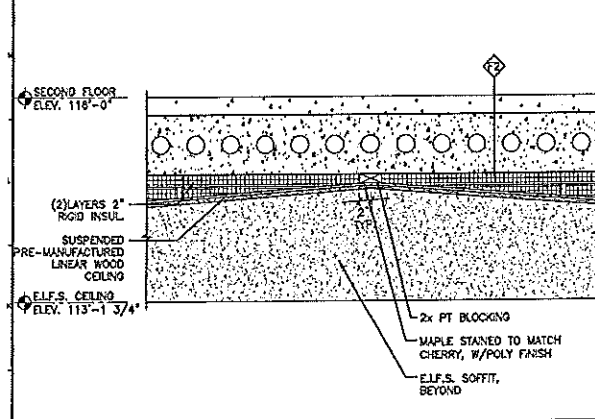
SECTIONS & DETAILS

SHEET TITLE: AE502
SCALE: AS NOTED
DATE: 5-29-02
PROJECT MANAGER: JJJ
JOB CAP/DRAWN: WMD/JAM
A/E OF RECORD: JJJ
SHEET NO. 02004
PROJECT NO. 02004

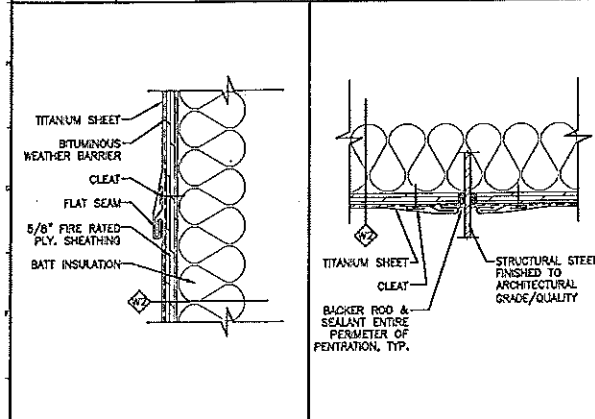


N1 SECTION
1-1/2"x1'-0" AE311

N3 SECTION
1-1/2"x1'-0" AE311

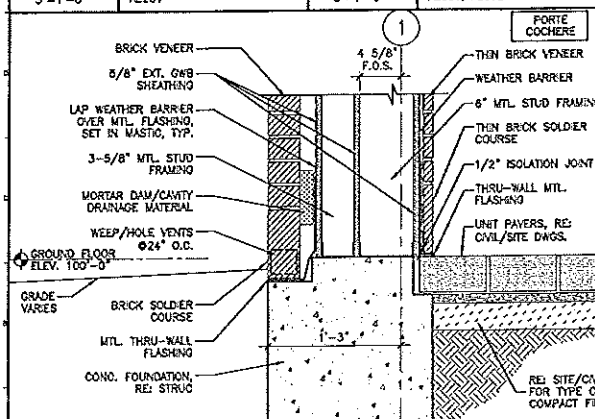


J1 SECTION @VAULTED WOOD CEILING
1'-1'-0" AE111

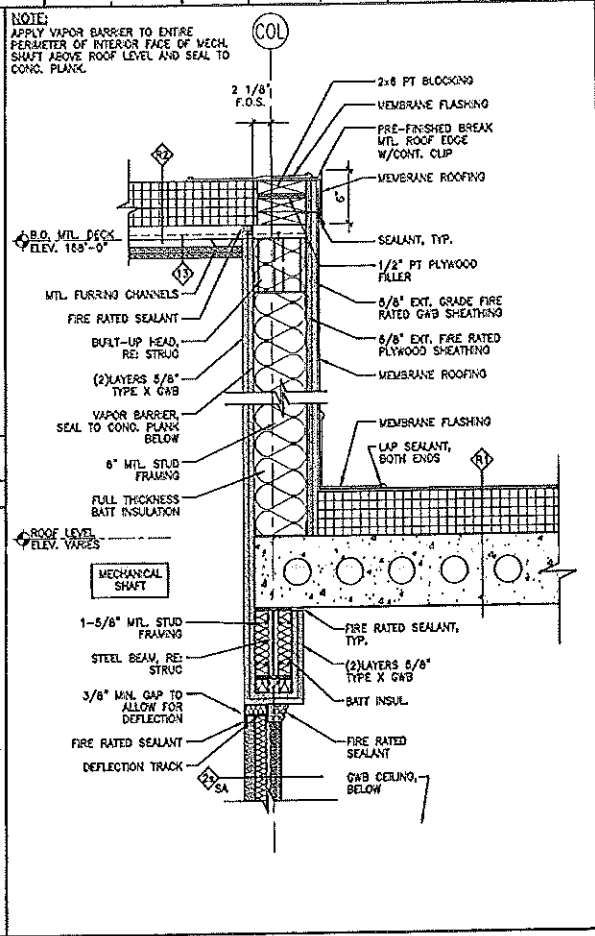


E1 TYP. VERTICAL & HORIZ. TITANIUM SEAM
3'-1'-0" AE201

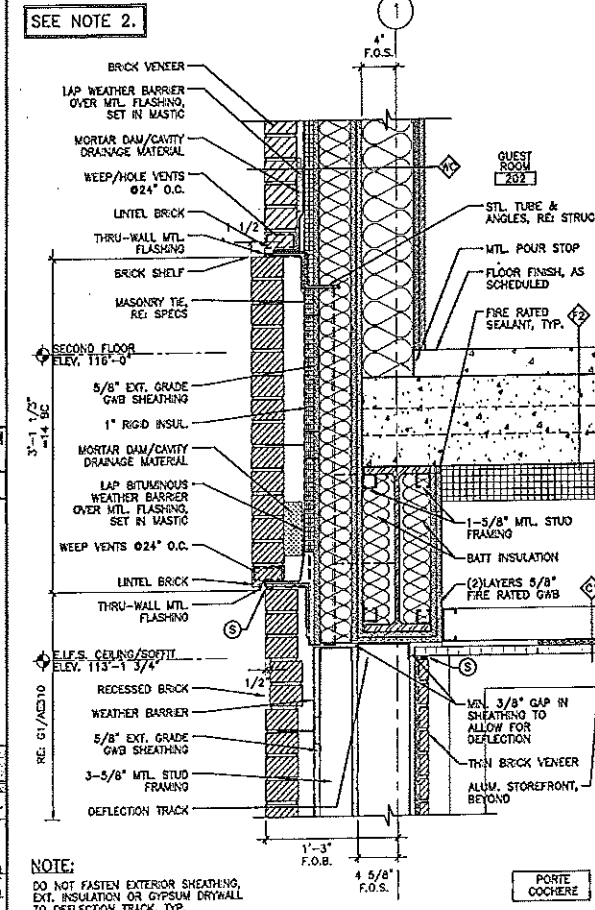
E3 PLAN DETAIL @TITANIUM PENETRATIONS
3'-1'-0" AE501, AE502



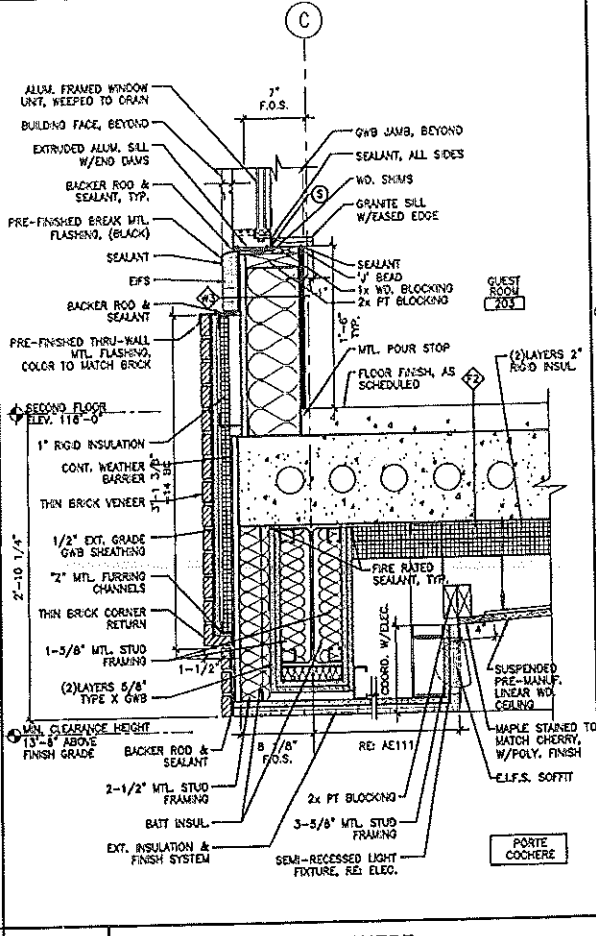
A1 SECTION
1-1/2"x1'-0" AE311



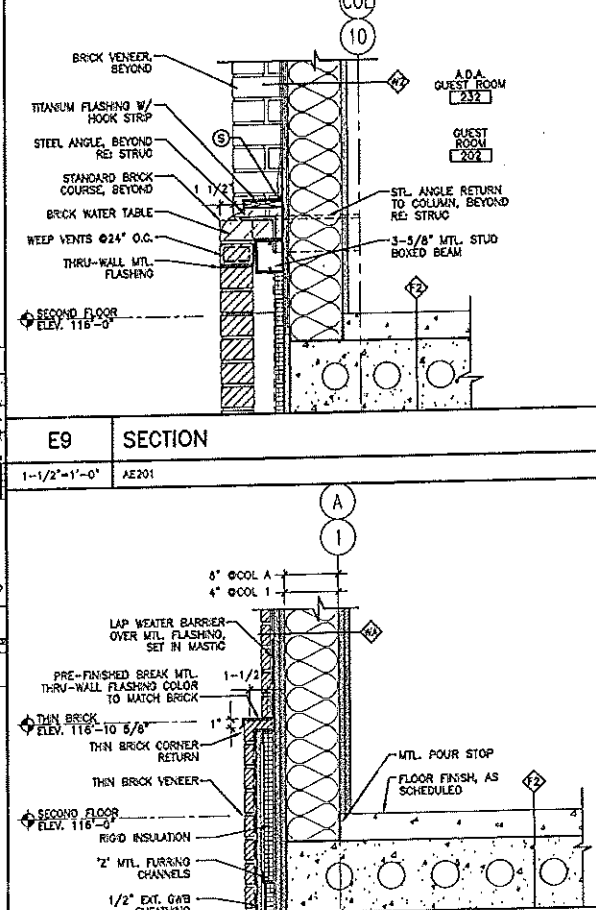
J5 SECTION @MECH. SHAFT OVERRUN
1-1/2"x1'-0" AE150, AE413



A5 SECTION
1-1/2"x1'-0" AE311

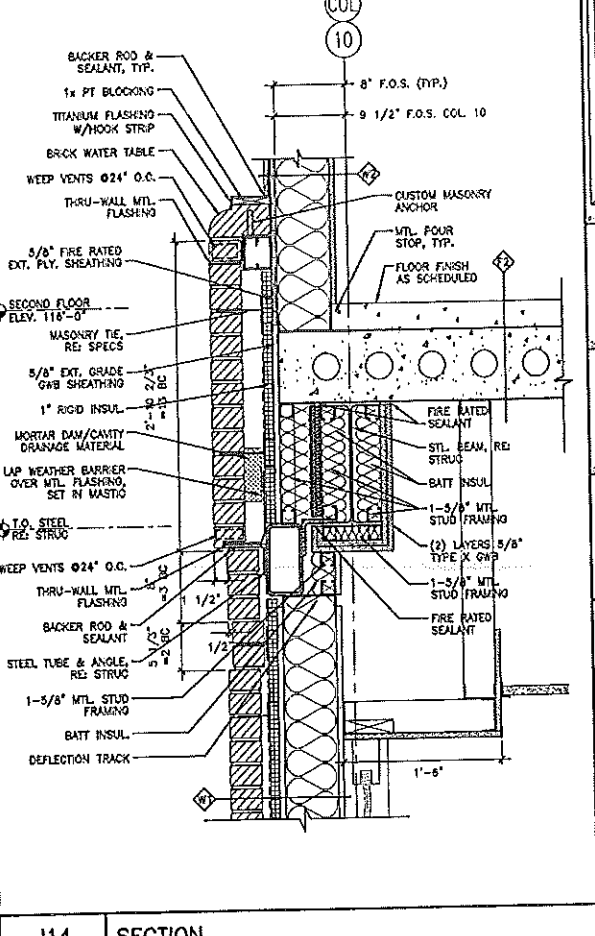


J9 SECTION @PORTE COCHERE
1-1/2"x1'-0" AE111, AE202

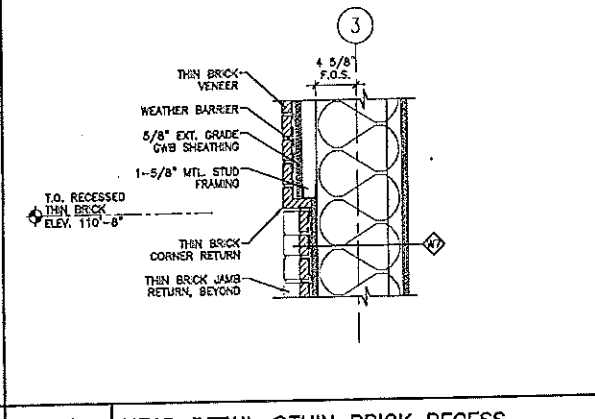


E9 SECTION
1-1/2"x1'-0" AE201

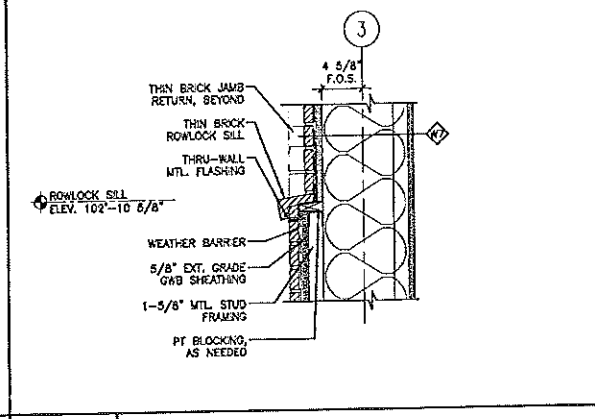
A9 SECTION
1-1/2"x1'-0" AE310



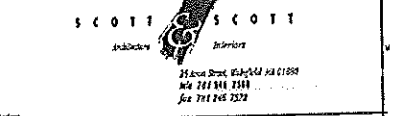
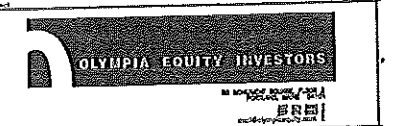
J14 SECTION
1-1/2"x1'-0" AE310



E14 HEAD DETAIL @THIN BRICK RECESS
1-1/2"x1'-0" AE310



A14 SILL DETAIL @THIN BRICK RECESS
1-1/2"x1'-0" AE310



GENERAL NOTES:

1. PROVIDE A CONT. LEVEL GWB SOFFIT IN ROOMS WHERE SLOPED STRUCTURAL STEEL EXTENDS DOWN BELOW THE ROOMS FINISH CEILING, REI DETAILS AE201, AE202, AE203
2. REFER TO EXTERIOR WALL CONSTRUCTION LEGENDS ON 0002 FOR ACTUAL CONSTRUCTION DESCRIPTIONS.
3. REFER TO EPS DETAILS SHEET AE505 FOR ADDITIONAL INFORMATION.

REV.	DESCRIPTION	DATE
0	CONSTRUCTION DOCUMENTS	5-29-02

CONSTRUCTION DOCUMENTS
5-29-02



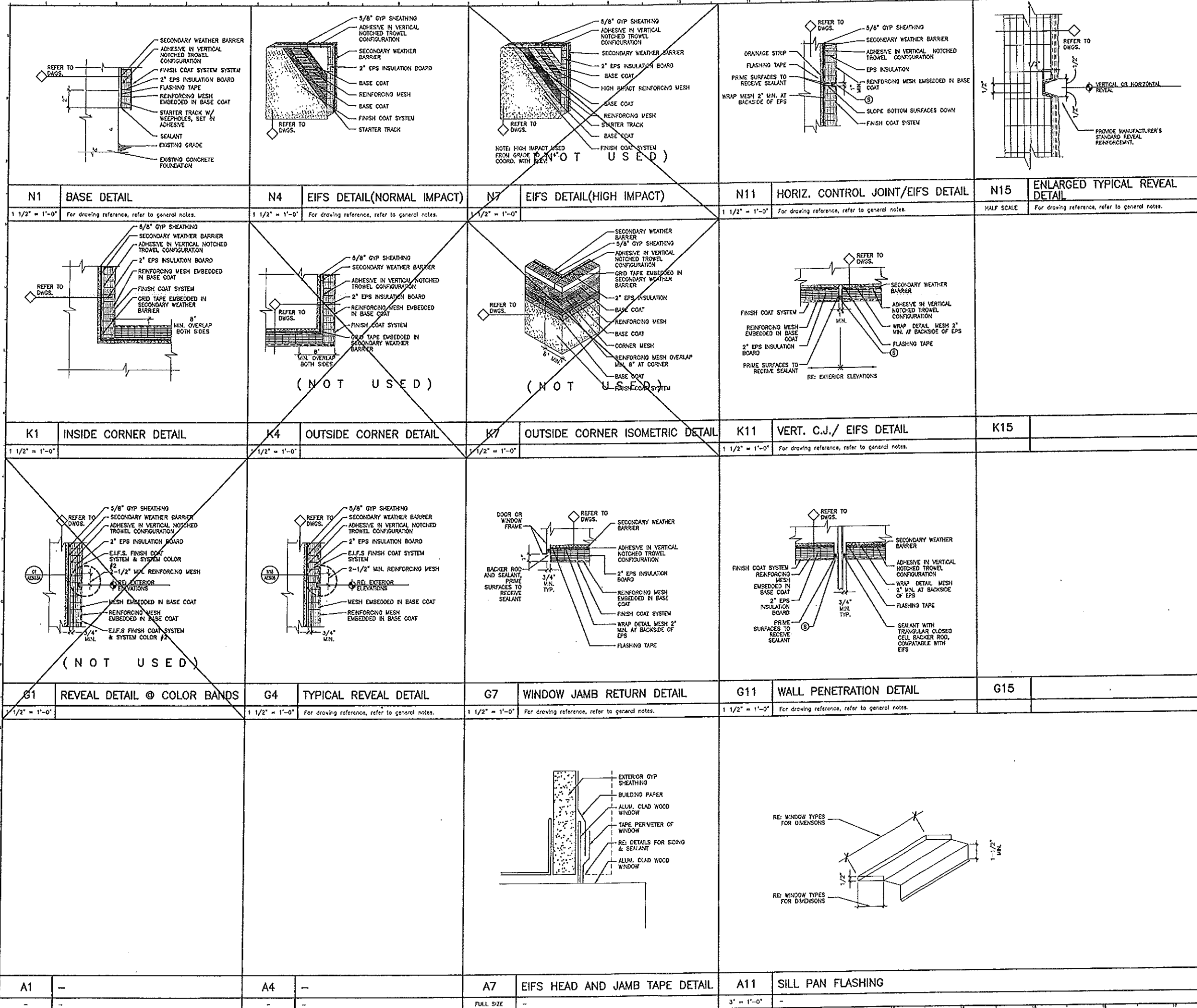
ARCHITECTURE ENGINEERING PLANNING
SMART
144 Fore Street 7th Fl. Box 618
Portland, Maine 04104
Tel: (207) 778-3446
Fax: (207) 778-1570

HILTON GARDEN INN
65 COMMERCIAL STREET
PORTLAND, MAINE

PROJECT: **SECTIONS & DETAILS**

SHEET TITLE: **AE503**

SCALE:	AS NOTED	DATE:	5-29-02
PROJECT MANAGER:	JJ	GRAPHIC SCALE:	1" = 1'-0"
JOB CAP/DRWING:	MWD/JJM		
A/E OF RECORD:	JJ	SHEET No.:	
SVRT CAD FILE:	AE503-02004		
PROJECT No.:	02004		



Hilton Garden Inn
65 COMMERCIAL STREET
Portland, Maine

OLYMPIA EQUITY INVESTORS

ALLIED/COOK CONSTRUCTION
Planners • Managers • Design/Builders
Building Excellence Since 1958

SCOTT SCOTT ARCHITECTURE
25 West Street, Portland, ME 04101
Tel: 781 954 3140 Fax: 781 954 3372

KEY NOTES:
① BACKER ROD AND SEALANT

GENERAL NOTES
1. ALL DETAILS TO BE COORDINATED WITH MANUFACTURER'S STANDARD DETAILS AND RECOMMENDATIONS.
2. REFERENCE DRAWINGS: AE102-AE104, AE150, AE202, AE203, AE301, AE310, AE311, AE401, AE402, AE403, AE501, AE502, AE511, AE512, AE513, AE521, AE522.

REV.	DESCRIPTION	DATE
0	CONSTRUCTION DOCUMENTS	5-29-02

CONSTRUCTION DOCUMENTS 5-29-02

CURRENT ISSUE STATUS:

ARCHITECT
JUDY L. JOHNSON
No. 2009
STATE OF MAINE

SMRT ARCHITECTURE ENGINEERING PLANNING
5007
144 Fore Street, P.O. Box 818
Portland, Maine 04104
Tel: (207) 778-3646
Fax: (207) 778-1573

HILTON GARDEN INN
65 COMMERCIAL STREET
PORTLAND, MAINE

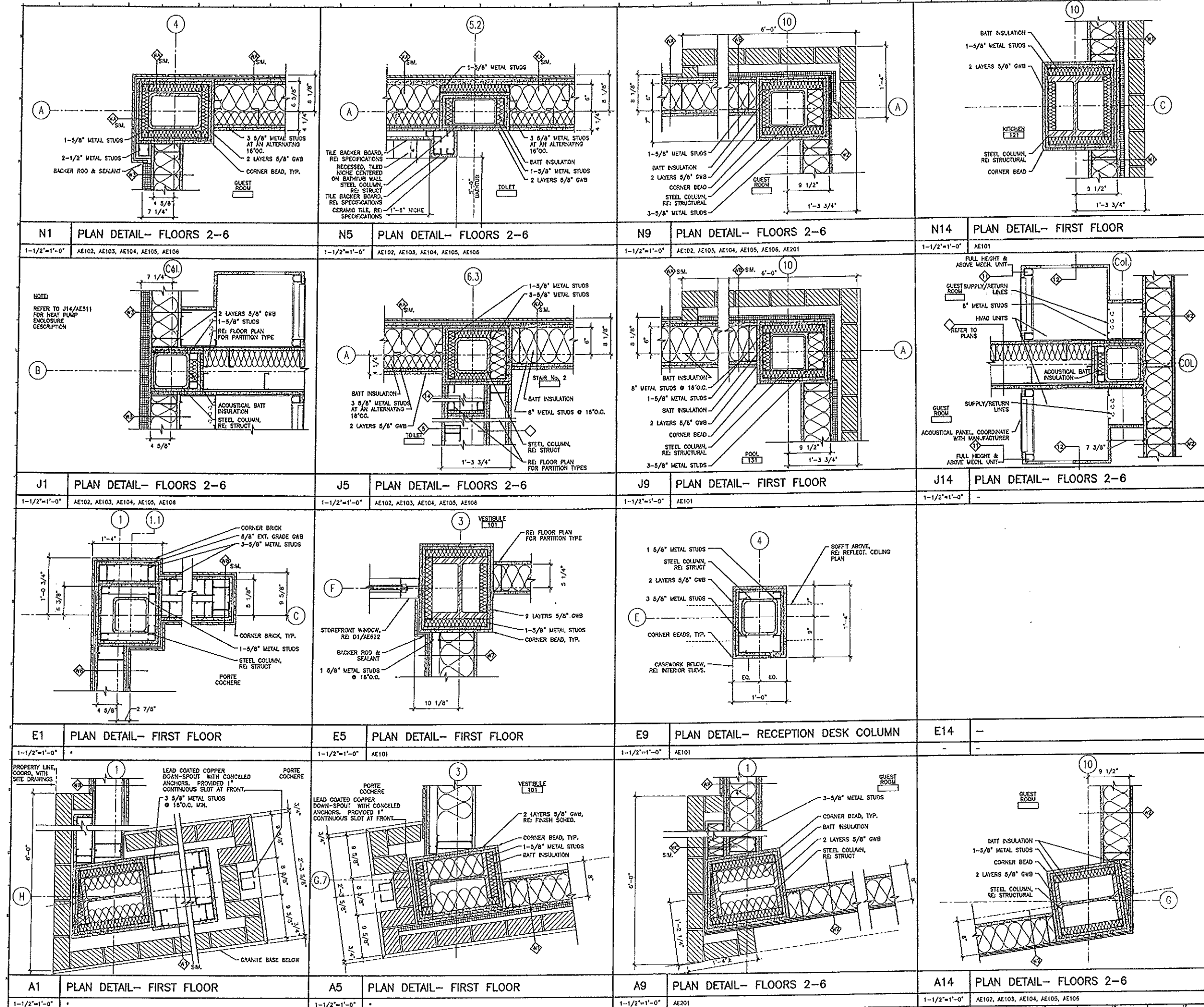
TYPICAL E.I.F.S. DETAILS

SHEET TITLE: _____ DATE: 5-29-02

SCALE: AS NOTED GRAPHIC SCALE: 0' 1'

PROJECT MANAGER: LJJ JOB CAP/DRAWN: LAMJ A/E OF RECORD: SLB SHEET NO. AE505

SMRT CAD FILE: AE505-02004 PROJECT NO. 02004



Hilton Garden Inn
65 COMMERCIAL STREET
PORTLAND, MAINE

OLYMPIA EQUITY INVESTORS

ALLIED/COOK CONSTRUCTION
Planners • Managers • Design/Builders
Building Excellence Since 1958

SCOTT SCOTT
21 East Street, Portland, ME 04103
Tel: 781 244 7334 Fax: 781 244 7378

GENERAL NOTES
1. ALL STRUCTURAL STEEL TO BE WRAPPED WITH (2) LAYERS OF 5/8" TYPE "X" GWB TO OBTAIN A TWO HOUR FIRE RATING, TYPICAL.

REV.	DESCRIPTION	DATE
0	CONSTRUCTION DOCUMENTS	5-29-02

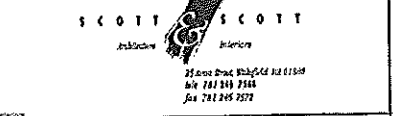
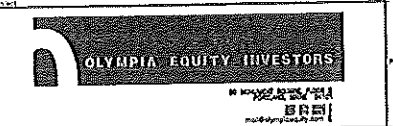
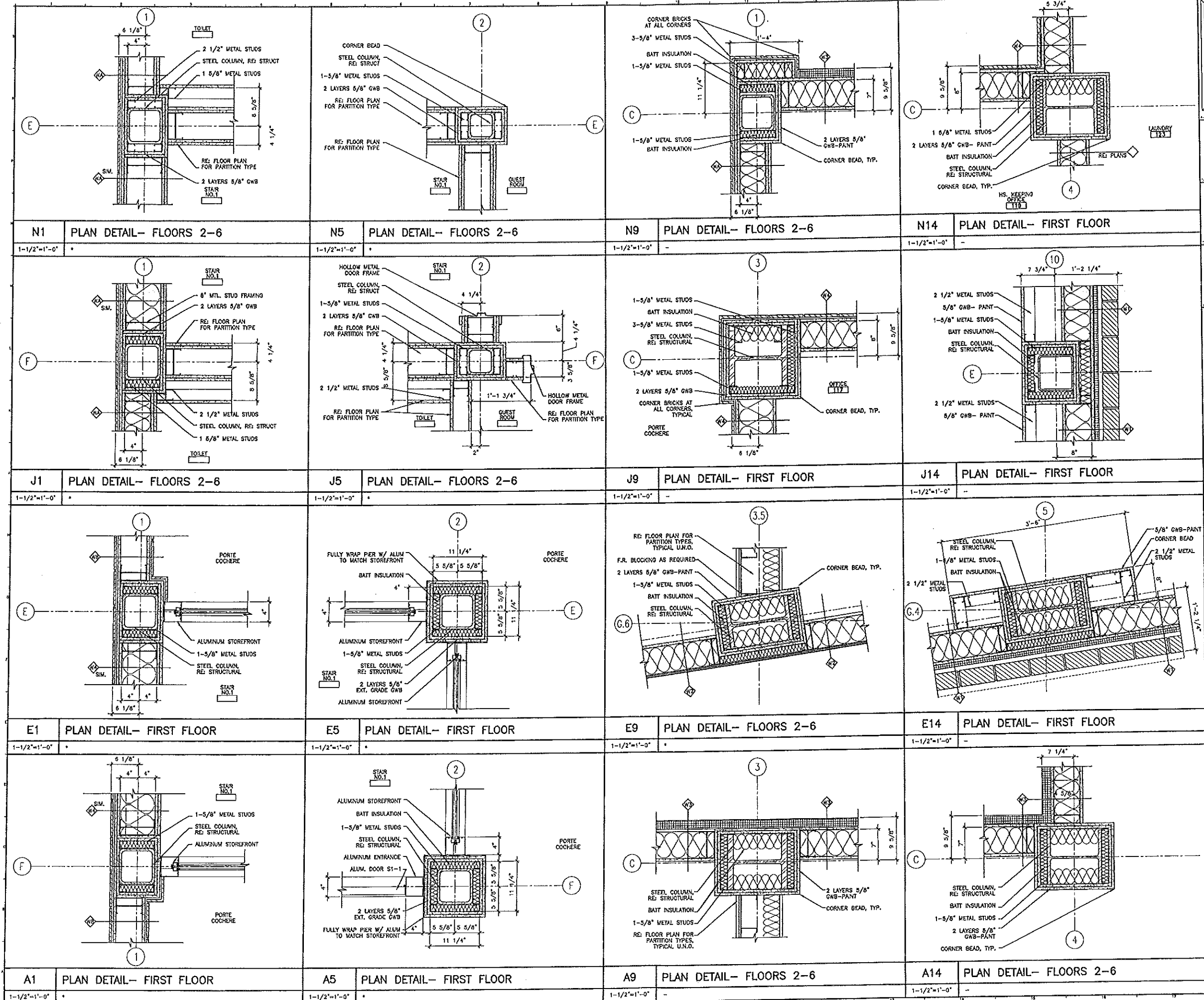
CONSTRUCTION DOCUMENTS 5-29-02

ARCHITECTURE ENGINEERING PLANNING
144 Park Street P.O. Box 418
Portland, Maine 04104
Tel: (207) 772-3444 Fax: (207) 772-1030

HILTON GARDEN INN
65 COMMERCIAL STREET
PORTLAND, MAINE

ENLARGED PLAN DETAILS

SHEET TITLE:	AS NOTED	DATE:	5-29-02
SCALE:	JLJ	GRAPHIC SCALE:	0" = 1'-0"
PROJECT MANAGER:	DJV	A/E OF RECORD:	JLJ
JOB CAP/DRAWN:	JLJ	SMART CAD FILE:	AE511-02004
PROJECT NO.:	02004	SHEET NO.:	AE511



REV.	DESCRIPTION	DATE
0	CONSTRUCTION DOCUMENTS	5-29-02

CONSTRUCTION DOCUMENTS
5-29-02

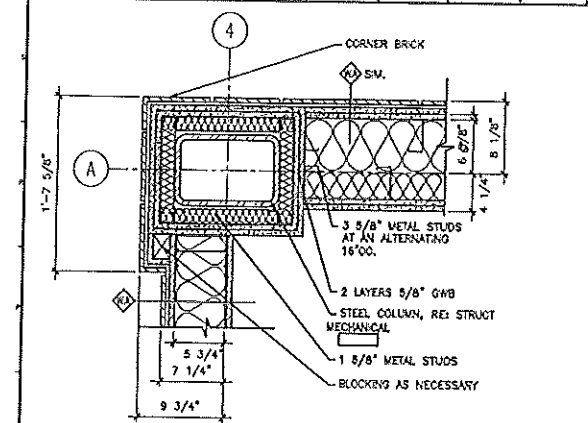


ARCHITECTURE ENGINEERING PLANNING
SM RT
144 Fore Street, 7th Fl., Box 618
Portland, Maine 04104
Tel: (207) 772-2844
Fax: (207) 772-1079

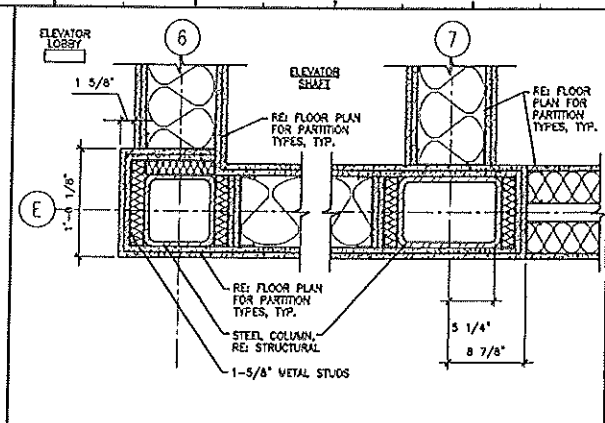
HILTON GARDEN INN
65 COMMERCIAL STREET
PORTLAND, MAINE

ENLARGED PLAN DETAILS

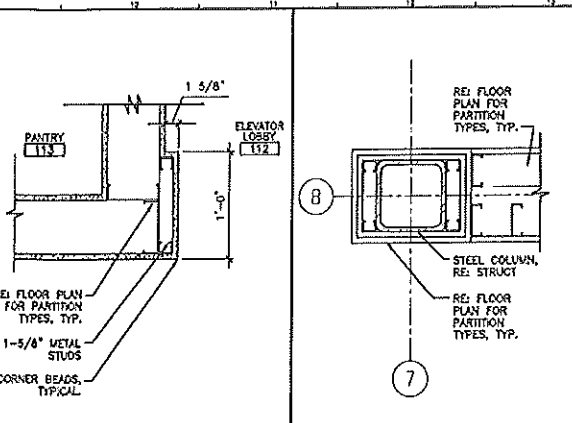
SHEET TITLE:	AS NOTED	DATE:	5-29-02
SCALE:		GRAPHIC SCALE:	0'
PROJECT MANAGER:	ALJ		
JOB CAP/GRAB:	DJV		
A/E OF RECORD:	ALJ	SHEET No.:	
SVRT CAD FILE:	AE512-02004		AE512
PROJECT No.:	02004		



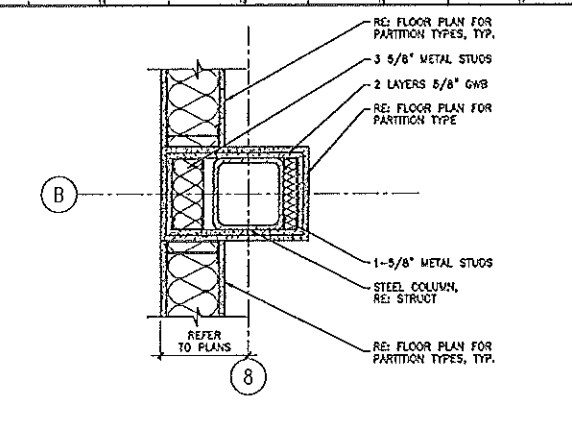
N1 PLAN DETAIL- FIRST FLOOR
1-1/2"=1'-0" AE101



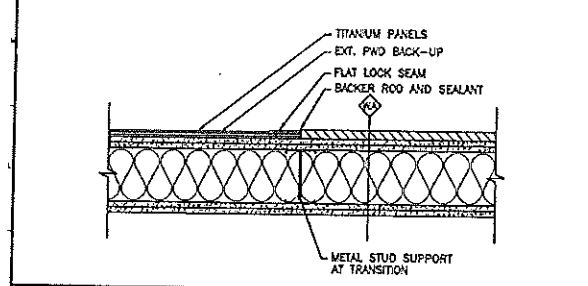
N5 PLAN DETAILS- ELEVATOR SHAFT 1-6
1-1/2"=1'-0" AE413



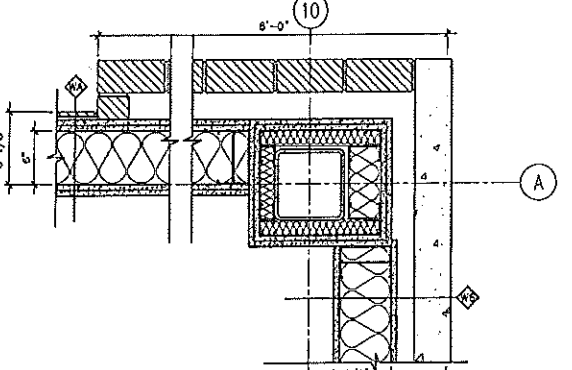
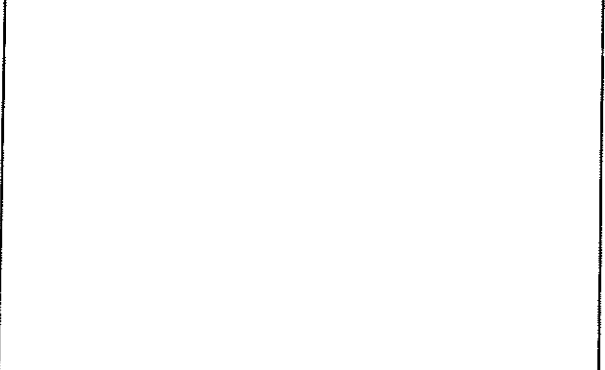
N9 PLAN DETAIL
1-1/2"=1'-0" AE101



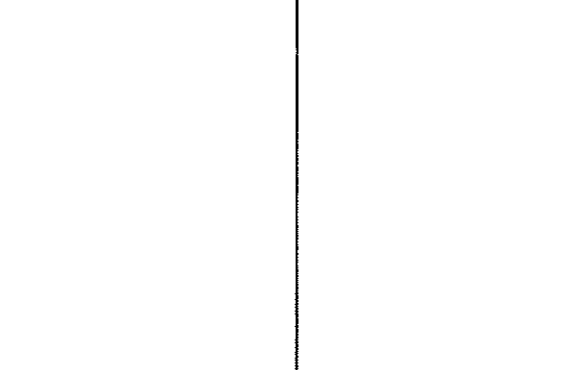
N11 PLAN DETAIL
1-1/2"=1'-0" AE101



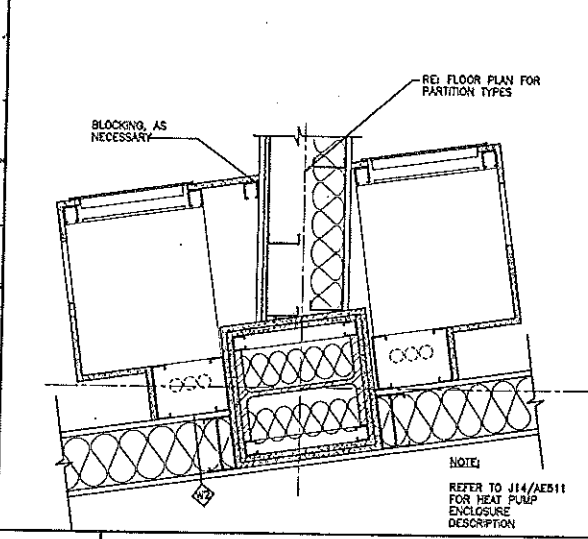
K1 TITANIUM PANEL PLAN DETAIL AT STAIRS 1&2
1-1/2"=1'-0"



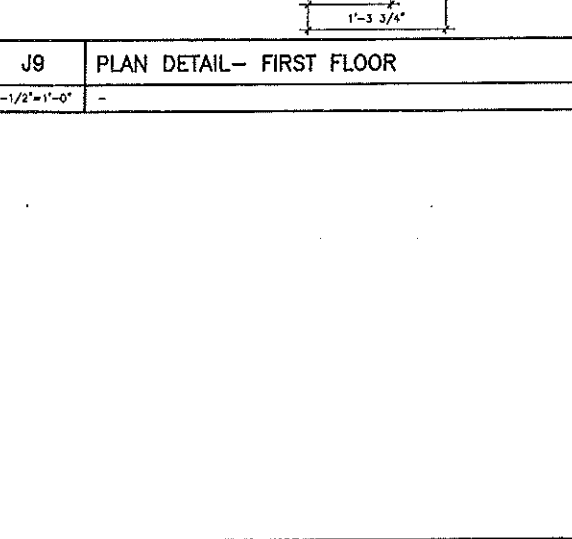
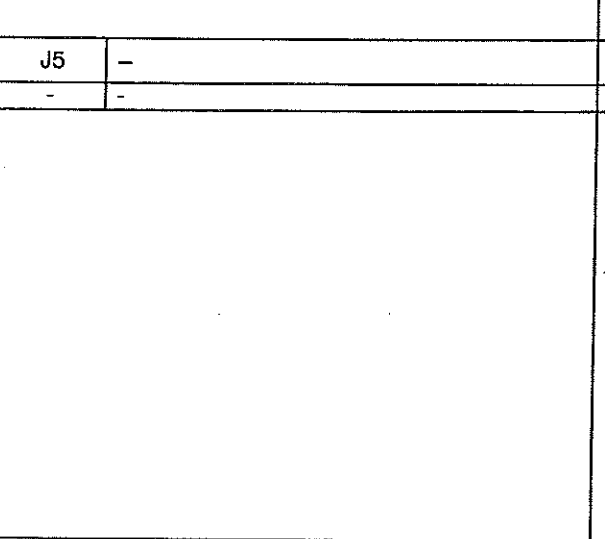
J9 PLAN DETAIL- FIRST FLOOR
1-1/2"=1'-0"



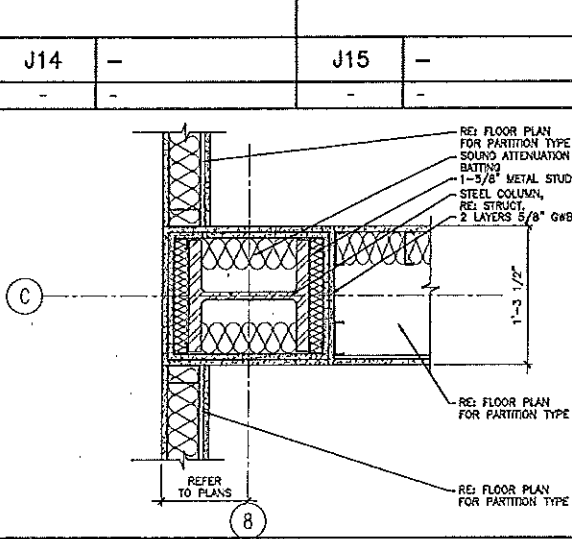
0	CONSTRUCTION DOCUMENTS	5-29-02
REV.	DESCRIPTION	DATE
CONSTRUCTION DOCUMENTS		
5-29-02		
CURRENT ISSUE STATUS:		
SMRT ARCHITECTURE ENGINEERING PLANNING 144 Fore Street, 7th Fl., Box 618 Portland, Maine 04104 Tel: (207) 773-3314 Fax: (207) 773-1000		
HILTON GARDEN INN 65 COMMERCIAL STREET PORTLAND, MAINE		
ENLARGED PLAN DETAILS		
SHEET TITLE:		
SCALE:	AS NOTED	DATE: 5-29-02
PROJECT MANAGER:	JLJ	GRAPHIC SCALE: 0" = 1'
JOB CAP/DRAWN:	D/V	
A/E OF RECORD:	JLJ	SHEET No.
SMRT CAD FILE:	AE513-02004	AE513
PROJECT No.	02004	



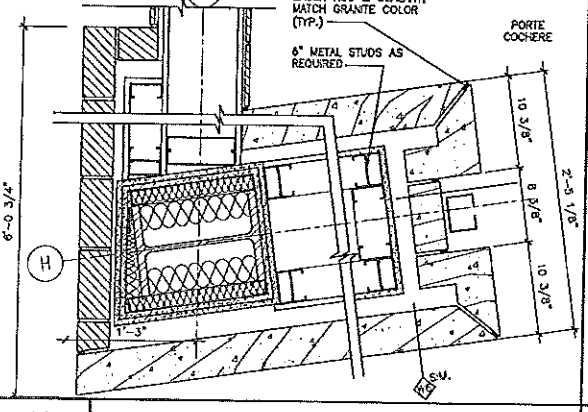
E1 PLAN DETAIL- FLOORS 2-6
1-1/2"=1'-0"



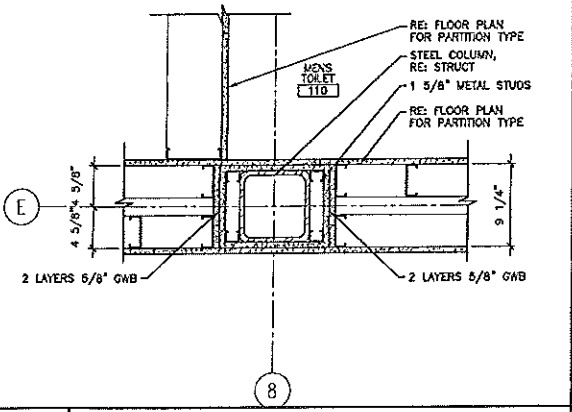
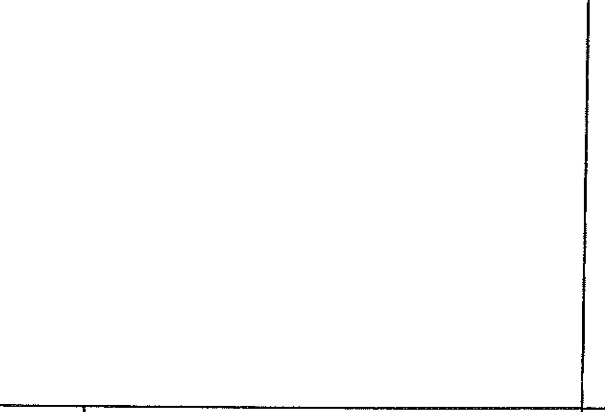
E9 PLAN DETAIL- FLOORS 2-6
1-1/2"=1'-0"



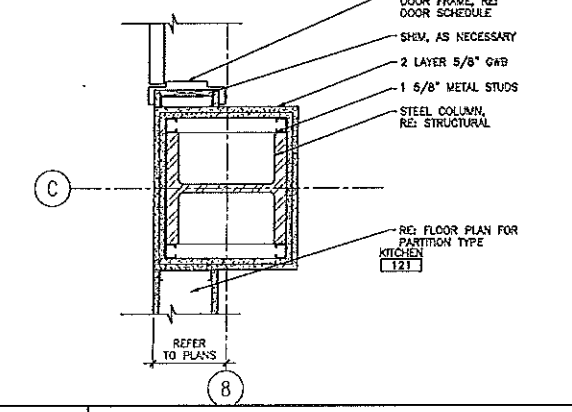
E14 PLAN DETAIL- FLOORS 2-6
1-1/2"=1'-0"



A1 PLAN DETAIL- FIRST FLOOR
1-1/2"=1'-0"



A9 PLAN DETAIL- FIRST FLOOR
1-1/2"=1'-0"



A14 PLAN DETAIL- FIRST FLOOR
1-1/2"=1'-0" AE101, AE611