
Section N

Lighting

N. Lighting

Please find attached cut sheets and photometric plan within Civil Plan Set.



LNC2 SERIES

Cat.#	
Job	Type



Approvals

SPECIFICATIONS

Intended Use:

The compact LED LNC2 is designed for perimeter illumination for safety, security and identity. This compact fixture has no uplight and is neighbor friendly with typical mounting heights up to 15ft. Units are supplied with an acrylic diffuser accessory that can be used for lower LED brightness near building entrances or other pedestrian areas. Units have protective polyester finish for long lasting appearance.

Construction:

Decorative die-cast aluminum housing protects components and provides an architectural appearance. Casting thermally conducts LED heat to optimize performance and long life. Powder paint finish provides durability in outdoor environments.

Electrical:

- 120V-277V universal voltage 50/60Hz 0-10V dimming drivers
- Minimum operating temperature is -40°C/-40°F
- Driver RoHS and IP66
- Drivers have greater than .90 power factor and less than 20% Total Harmonic Distortion

LED(s) CCT:

- 4000K CCT nominal – 70 CRI, 5000K CCT nominal – 67 CRI
- 12 LEDs, 29 input watts, deliver 2868 lumens with 99 LPW efficiency at 5000K CCT
- 18 LEDs, 42 input watts, deliver 4106 lumens at 98 LPW efficiency at 5000K CCT

Optical:

Type III distribution with zero uplight; Individual PMMA acrylic lenses for wide lateral throw, maximum control and efficiency; Acrylic diffuser included where reduced LED brightness is desired

Lumen Maintenance:

L96 at 60,000hrs (Projected per IESNA TM-21-11), see table on page 2 for all values

Installation:

Quick-mount adapter provides easy installation to wall or to recessed junction boxes (4" square junction box). Gasket seal and secured by two Allen-head hidden fasteners for tamper resistance. Designed for direct j-box mount or conduit feed in single SKU. Conduit feed not available with BBU.

Listings:

- DLC Qualified (Consult DLC website for more details: <http://www.designlights.org/QPL>)
- Listed to UL 1598 for use in wet locations, 40° C ambient environments

Warranty:

Five year limited warranty (for more information visit: <https://www.hubbell.com/hubbellighting/en/warranty>)

PRODUCT IMAGE(S)



LNC2-12LU

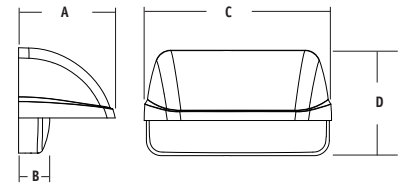


LNC2-18LU



With diffuser

DIMENSIONS



A	B	C	D	Weight
6.25"	1.6"	10.25"	5.6"	7.0 lbs.
158.7 mm	40.2 mm	260.4 mm	142.2 mm	3.2 kg

SHIPPING INFORMATION

Catalog Number	G.W(kg)/CTN	Carton Dimensions			Carton Qty. per Master Pack
		Length Inch (cm)	Width Inch (cm)	Height Inch (cm)	
LNC2-12LU	14.3 (6.5)	14.5 (37)	11.4 (29)	8.4 (21.5)	2
LNC2-18LU	14.8 (6.7)	14.9 (38)	11.4 (29)	8.4 (21.5)	2

CERTIFICATIONS/LISTINGS



ORDERING INFORMATION – STOCK

Catalog Number	System Watts	Delivered Lumens	Distribution	Voltage	CCT	# Drivers/Current	Weight lbs. (kg)	Finish	Options
LNC2-12LU-4K-3-1	29w	2,662	3	120-277V	4000K	1@700mA	7.0 (13.3)	Dark Bronze	*
LNC2-12LU-5K-3-1	29w	2,868	3	120-277V	5000K	1@700mA	7.0 (13.3)	Dark Bronze	*
LNC2-12LU-5K-3-1-PC-U	29w	2,868	3	120-277V	5000K	1@700mA	7.0 (13.3)	Dark Bronze	Photocell
LNC2-18LU-4K-3-1	42w	3,806	3	120-277V	4000K	2@700mA	7.0 (13.3)	Dark Bronze	*
LNC2-18LU-5K-3-1	42w	4,106	3	120-277V	5000K	2@700mA	7.0 (13.3)	Dark Bronze	*
LNC2-18LU-5K-3-1-PC-U	42w	4,106	3	120-277V	5000K	2@700mA	7.0 (13.3)	Dark Bronze	Photocell

REPLACEMENT PART/ACCESSORIES

CATALOG NUMBER	DESCRIPTION
93044013	Frosted comfort shield, improves uniformity with only 5% lumen reduction (see page 2)
93055143XX	LNC2 back plate and gasket with 0.875" opening for 1/2" conduit, XX = Specify finish (see page 2)
LNC2-SCBB-XX	LNC2 back plate with gasket and fittings to accommodate BB-GEO-XX, XX = Specify finish (see page 2)
BB-GEO-XX	LNC2 back box, XX = Specify finish (see page 2)



Hubbell Outdoor Lighting • 701 Millennium Boulevard • Greenville, SC 29607 • Phone: 864-678-1000

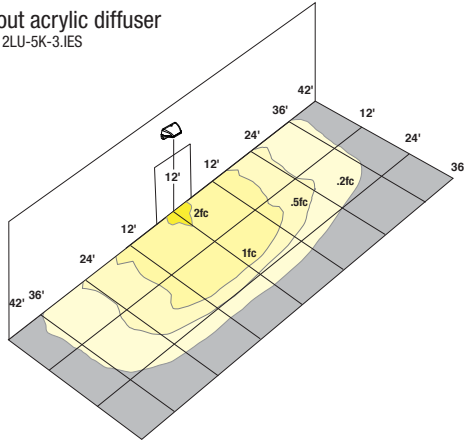
Due to our continued efforts to improve our products, product specifications are subject to change without notice.

© 2018 HUBBELL OUTDOOR LIGHTING, All Rights Reserved • For more information visit our website: www.hubbelloutdoor.com • Printed in USA

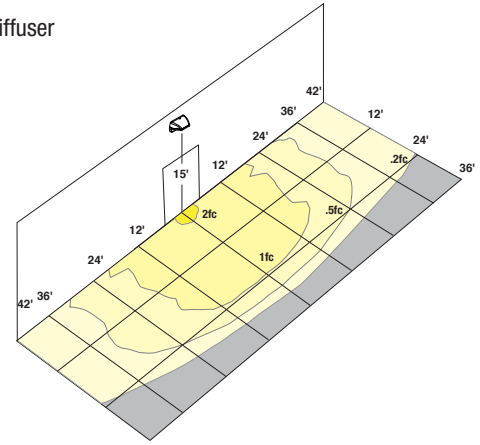
OCTOBER 22, 2018 8:42 AM

PHOTOMETRICS

Without acrylic diffuser
LNC2-12LU-5K-3.IES



Without acrylic diffuser
LNC2-18LU-5K-3.IES



LUMINAIRE AMBIENT TEMPERATURE FACTOR (LATF)

AMBIENT TEMPERATURE		LUMEN MULTIPLIER
0° C	32° F	1.02
10° C	50° F	1.01
20° C	68° F	1.00
25° C	77° F	1.00
30° C	86° F	1.00
40° C	104° F	0.99

Use these factors to determine relative lumen output for average ambient temperatures from 0-40°C (32-104°F).

PROJECTED LUMEN MAINTENANCE

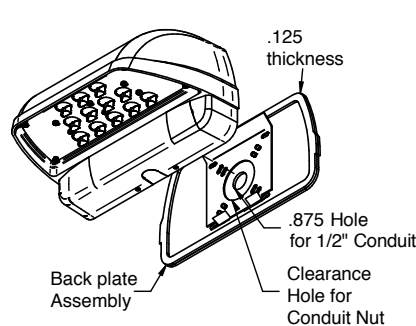
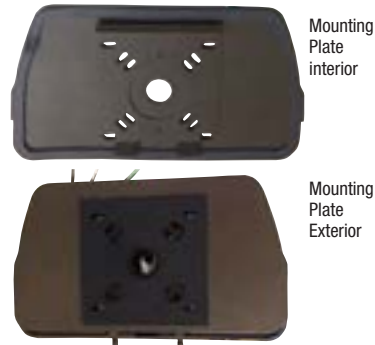
Ambient Temp.	OPERATING HOURS					L70 (hours)
	0	25,000	50,000	TM-21 -11' L96 60,000	100,000	
25°C / 77°F	1.00	0.98	0.97	0.96	0.95	>791,000
40°C / 104°F	0.99	0.98	0.96	0.96	0.94	>635,000

1. Projected per IESNA TM-21-11 * (Nichia 219B, 700mA, 85°C Ts, 10,000hrs)
Data references the extrapolated performance projections for the LNC-12LU-5K base model in a 40°C ambient, based on 10,000 hours of LED testing per IESNA LM-80-08.

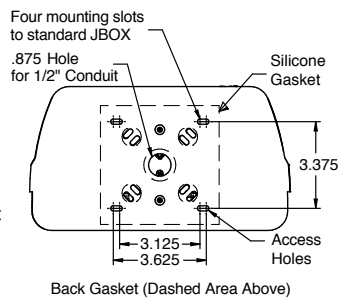
ELECTRICAL DATA

# OF LEDS	DRIVE CURRENT (mA)	INPUT VOLTAGE (V)	CURRENT (Amps)	SYSTEM POWER (w)
12	STD. (700mA)	120	0.24	28.9
		277	0.10	27.7
18	STD. (700mA)	120	0.35	41.0
		277	0.15	41.5

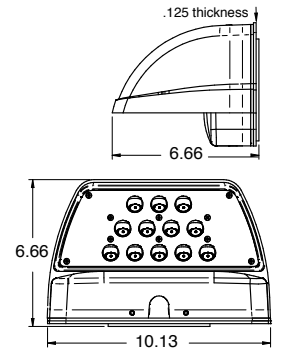
BACK PLATE - 93055143XX



MOUNTING PLATE DETAILS



DIMENSIONS - With Plate Installed



LNC2-SCBB-XX SURFACE CONDUIT BACK PLATE

