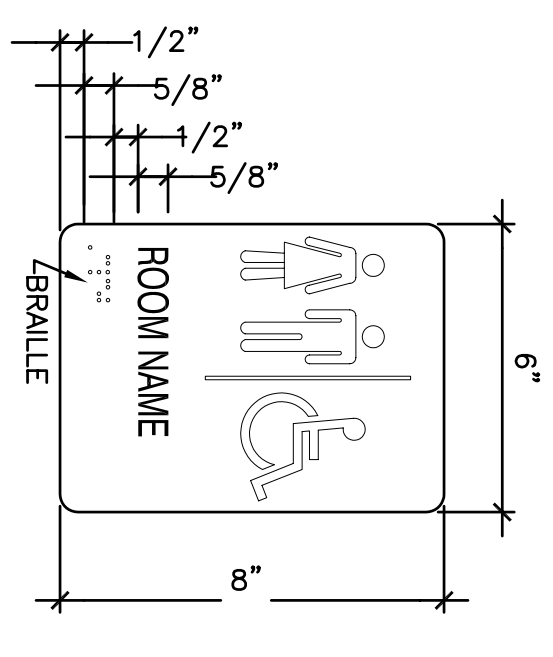
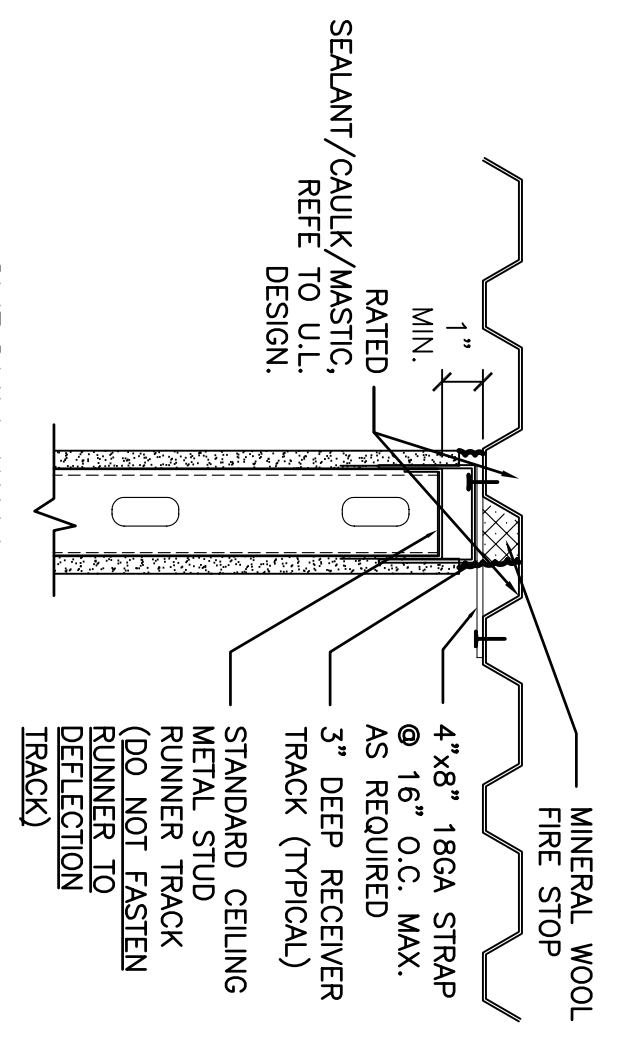


GYPSUM WALL:
(PERPENDICULAR TO DECK FLUTES)
SIM. U.L. DESIGN-HW-D-0062 (1 & 2 HOUR)



SYMBOL

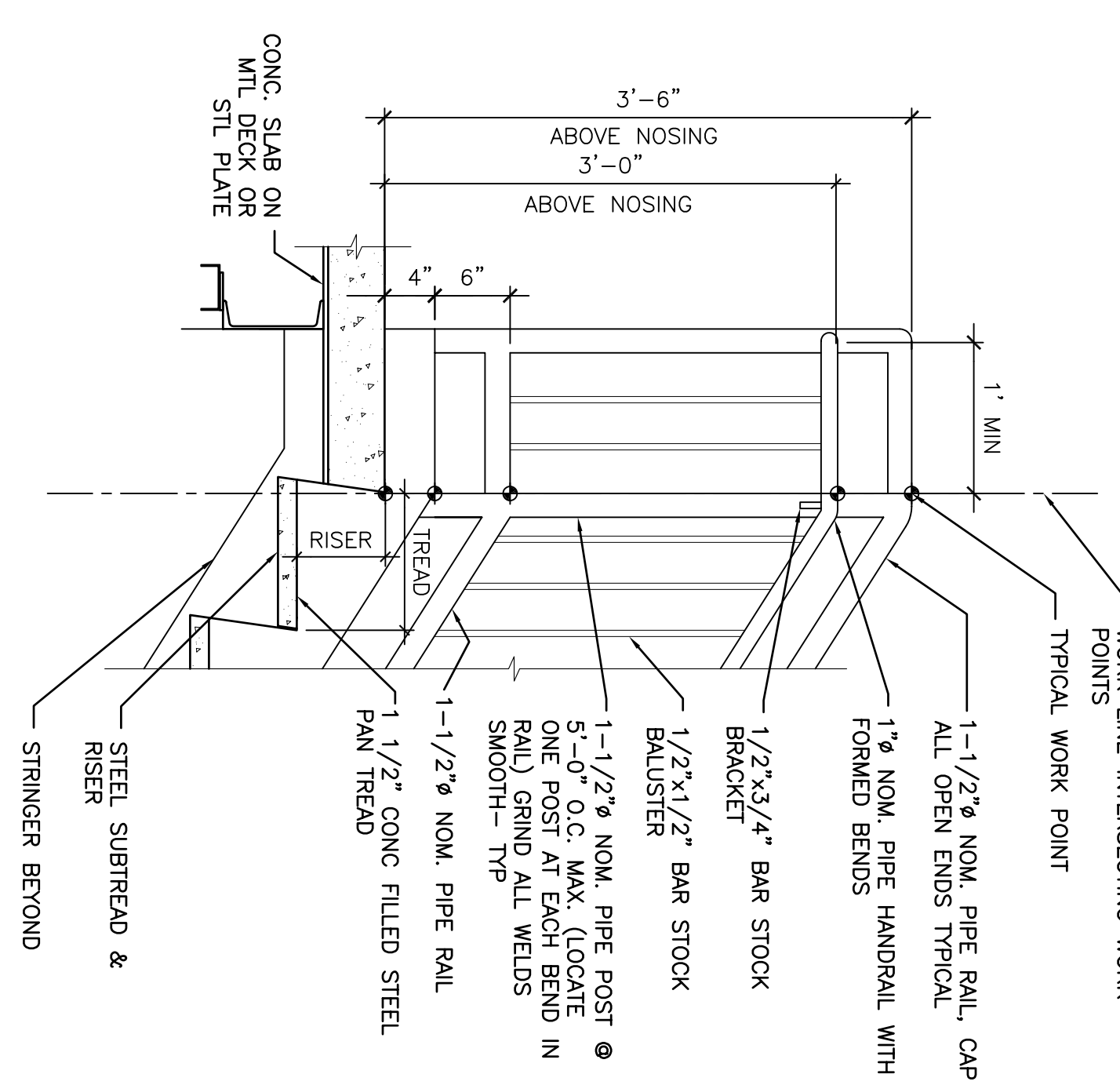
L1	DETAIL	L5	ROOM I.D.
1 1/2" = 1'-0"	AE101	3" = 1'-0"	*



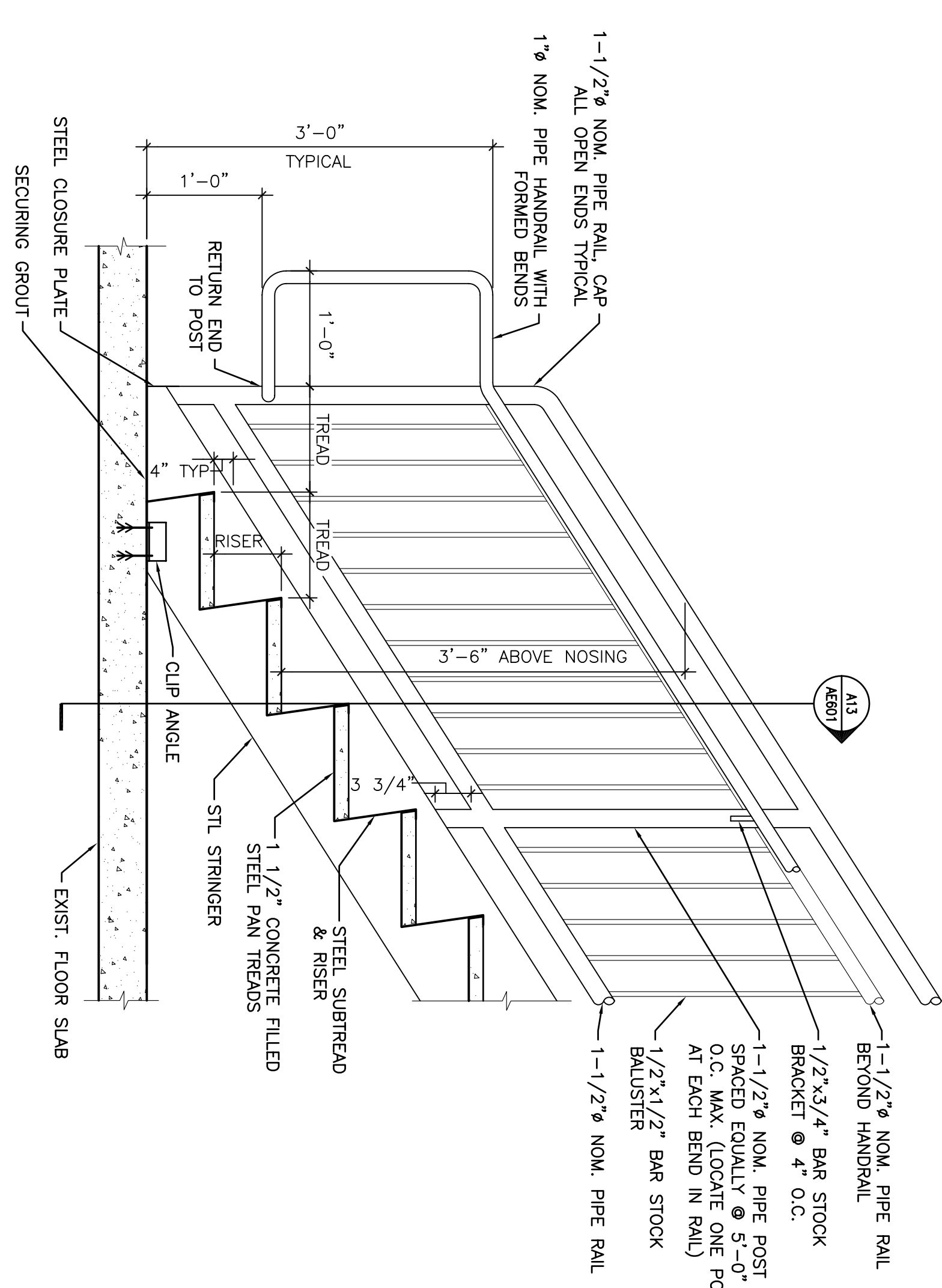
GYPSUM WALL:
(PARALLEL TO DECK FLUTES)
SIM. U.L. DESIGN-HW-D-0062 (1 & 2 HOUR)

H1	DETAIL	H5	ROOM I.D.	H9	DOOR SCHEDULE
1 1/2" = 1'-0"	AE101	3" = 1'-0"	*	NONE	*

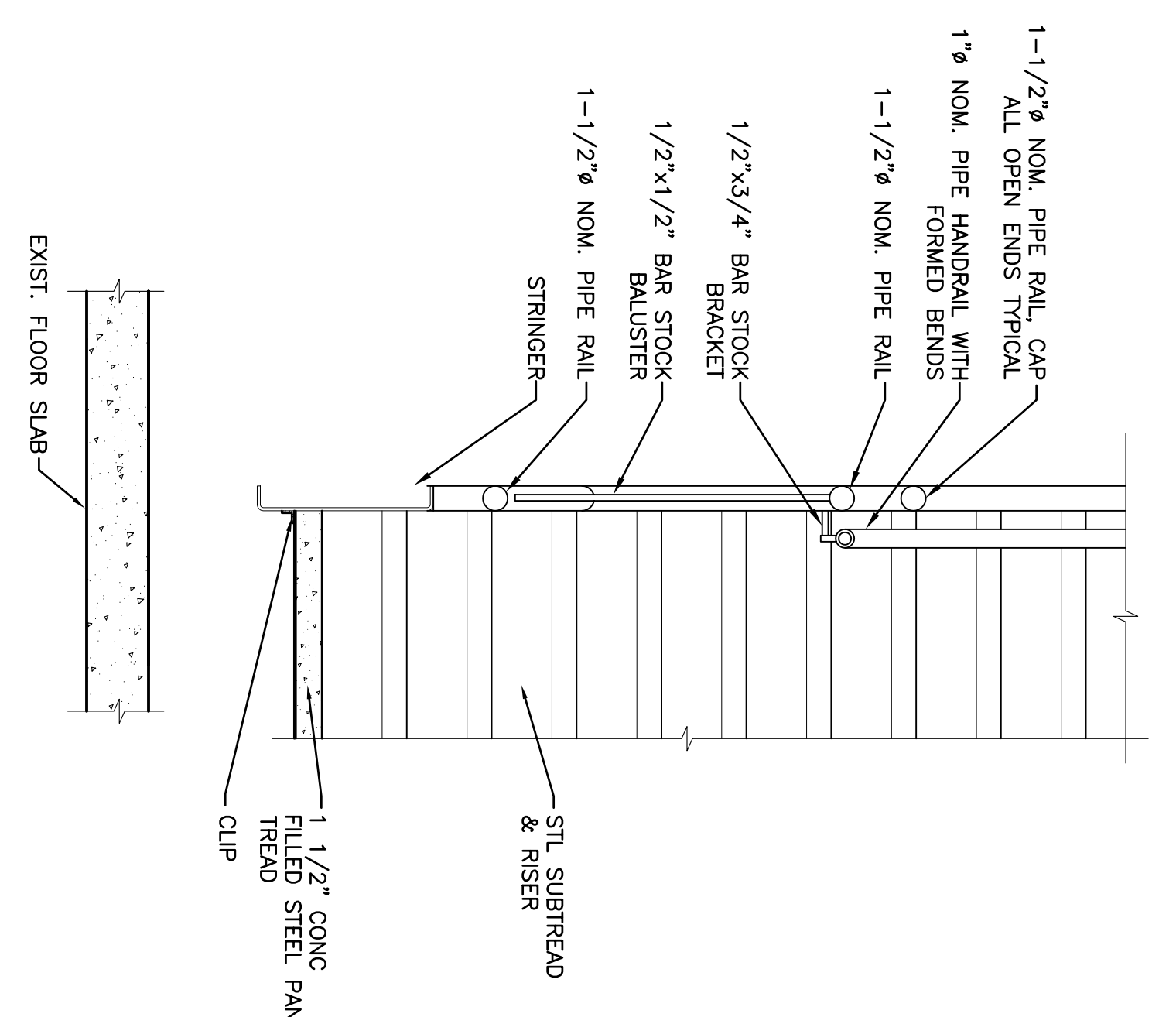
NO.	DOOR	T x W x H	MATL	ELEV	GLAZE	MATL	ELEV	FRAME			NO.	REMARKS
								HEAD	JAMB	MULLION		
1		3'-0"									1	
2		3'-0"									2	
3		3'-0"									3	
4		3'-0"									4	
5		3'-0"									5	
6		3'-0"									6	
7		3'-0"									7	
8		3'-0"									8	
9		3'-0"									9	
10		3'-0"									10	
11		3'-0"									11	
12		3'-0"									12	
13		3'-0"									13	
14		3'-0"									14	
15		(2) 3'-0"								45 MIN.	15	
16		(2) 3'-0"								16		
17		12'-0"x14'-0"								17		
18		12'-0"x14'-0"								18		
19		3'-0"								45 MIN.	19	
20		3'-0"								20		
21		3'-0"								21		
22		(2) 3'-0"								22		
23		3'-0"								23		
24		3'-0"								24		
25		3'-0"								25		
26		3'-0"								26		
27		3'-0"								27		
28		3'-0"								28		
29		3'-0"								45 MIN.	29	
30		3'-0"								30		
31		3'-0"								31		
32		3'-0"								32		
33		3'-0"								33		
34		3'-0"								34		
35		3'-0"								35		
36		(2) 3'-0"								36		
37		3'-0"								37		
38		3'-0"								38		
39		3'-0"								39		
40		3'-0"								40		



A1	STAIR SECTION
1" = 1'-0"	*



A6	STAIR SECTION
1" = 1'-0"	*



A13	STAIR SECTION
1" = 1'-0"	*

PROJECT TITLE: CIANBRO OFFICE RENOVATION (FORMER W.L. BLAKE BUILDING) PORTLAND, MAINE

CURRENT ISSUE STATUS: ISSUED FOR PERMIT 6-25-04

ARCHITECTURE ENGINEERING PLANNING
SMRT
144 Fore Street/P.O. Box 618
Portland, Maine 04104
tel. (207) 772-3846
fax. (207) 772-1070

PROJECT NORTH

SCALE: AS NOTED
PROJECT MANAGER: SUB
DATE: 04/09/07

DOOR SCHEDULE SECTIONS & DETAILS

SHEET NO. AE601