

AIR TURNOVER SYSTEM

UL-795

COMMERCIAL-INDUSTRIAL GAS HEATING

CGA 3.2

COMMERCIAL-INDUSTRIAL GAS FIRED PACK/UNIT
FURNACES

Munters Corporation - Dehumidification Division

Release 2.2 rev 4
P/N 27535
Plus

Technical Data Sheet for HoneyCombe® Dehumidifier

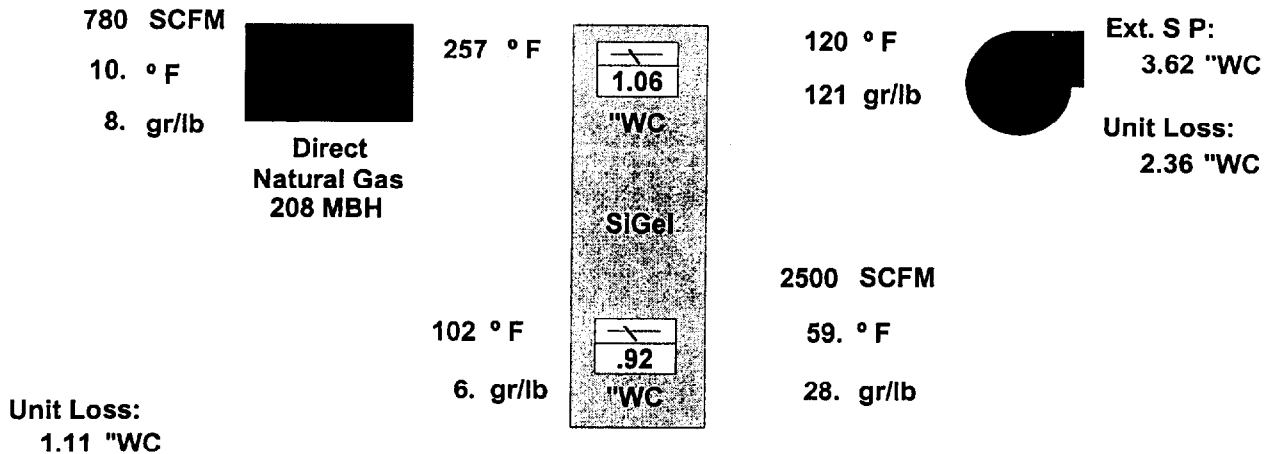
Prepared for : Protec
216 Lafayette Road
North Hampton, NH 03862

Job No : 659493-01
Date : 08/23/2002

WINTER RATING

Prepared by : SAH
Reference No : LU-2566-8845

Dehumidifier Model: HCD-4500-DGA PLUS



React. Heater:		Fans:		Unit:	
Type:	Dir N.G.	Fan Size:	Process	Reactivation	Wheel type:
Burner:	DF-400	Fan RPM:	3450	3450	SiGel
Req'd Btuh:	208000	Rotation:	CW	CW	Voltage:
Input Btuh:	226130	Discharge:	THR	THR	460
Output Btuh:	208000	Motor HP:	3	3	Frequency:
Temp Out °F:	257	Motor RPM:	3450	3450	60
		Motor Type:	TEFC	TEFC	Phase:
		Mounting:	See Gen Arr	DH	3
					FLA:
					5.4
					Lbs/Hr:
					35

HoneyCombe Dehumidifier Specifications

General Construction:

- Dehumidifiers are manufactured completely in ISO 9001 certified facilities.
- All air plenums are constructed of strain hardened aluminum sheet of .125 inch minimum thickness which is welded, gasketed and/or sealed to be air and vapor tight at design static pressures and air flows. Process air inlet plenum is insulated with 1 inch insulation as required to minimize external condensation. Access panels are labeled and furnished with resilient gaskets to preserve the air and vapor integrity.
- Standard bulb seals are furnished suitable for working pressures upto +/- 8 inch WG

Reactivation Air Heaters:

- Direct gas heaters assembly includes raw gas burner having cast iron manifold and stainless steel air mixing plates. Burner assembly is mounted in an air tight housing with integral insulation. Electronic flame safety controls with spark ignited intermittent pilot, prepiped general purpose gas train with shut-off and required limit and safety controls are included. Maximum inlet gas pressure is 14"WC (0.5 psi).

Control Enclosure:

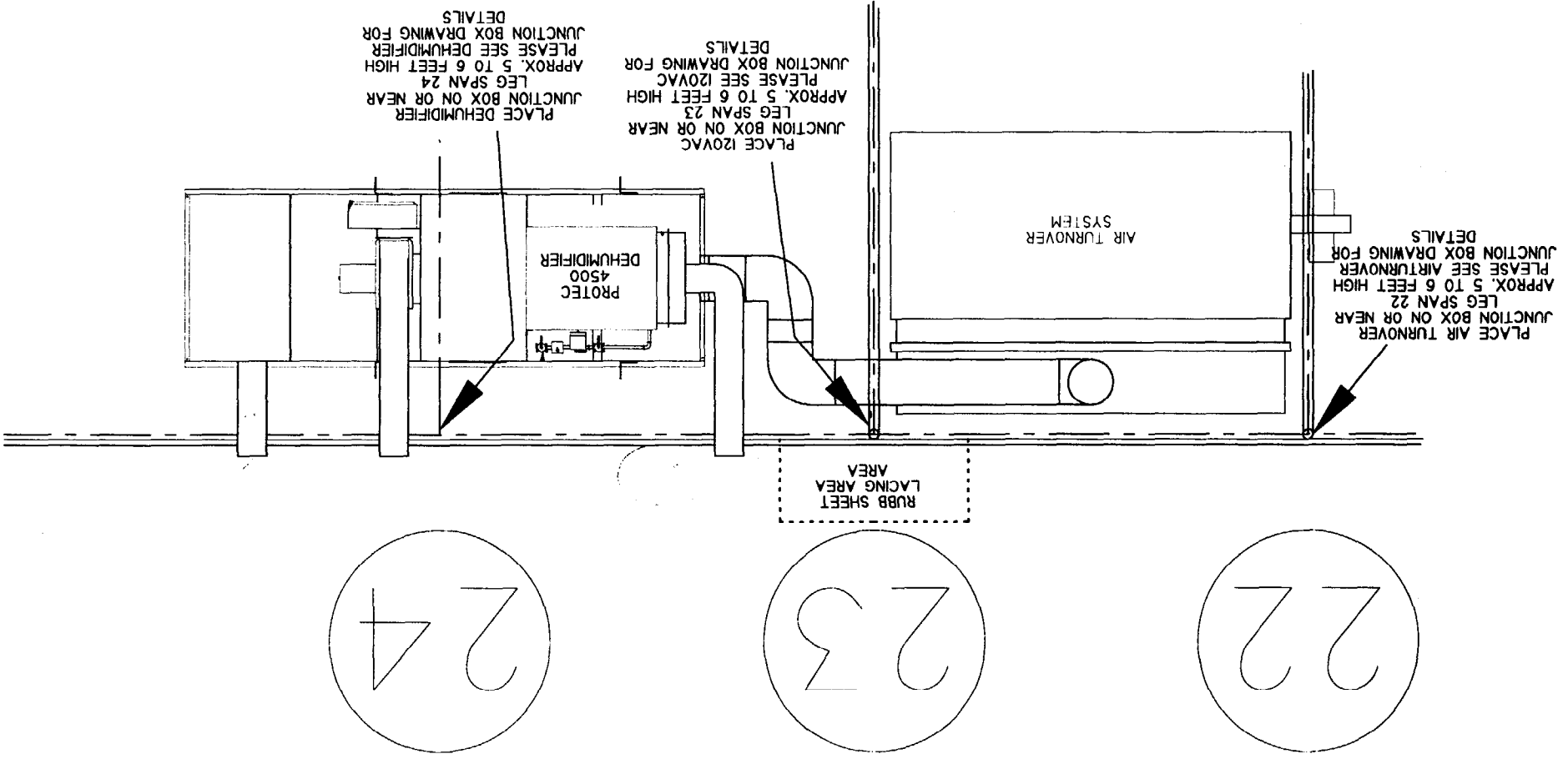
- NEMA 4 hinged door housing factory wired Definite Purpose contactors, control relays, microprocessor controller, power distribution block, transformer and control power terminal block. All power and control wiring is in conformance with National Electric Code. Included as standard is a control indicating package. This feature includes a Run Time meter showing hours of operation, a Power On amber light, a green Run light, a rotary selector switch with Auto, Off, and Manual positions and a red Fault light. The fault circuitry is actuated by loss of rotation of the wheel, overheat condition at the reactivation heaters or reactivation leaving air temperature below design set point.

Energy Modulation:

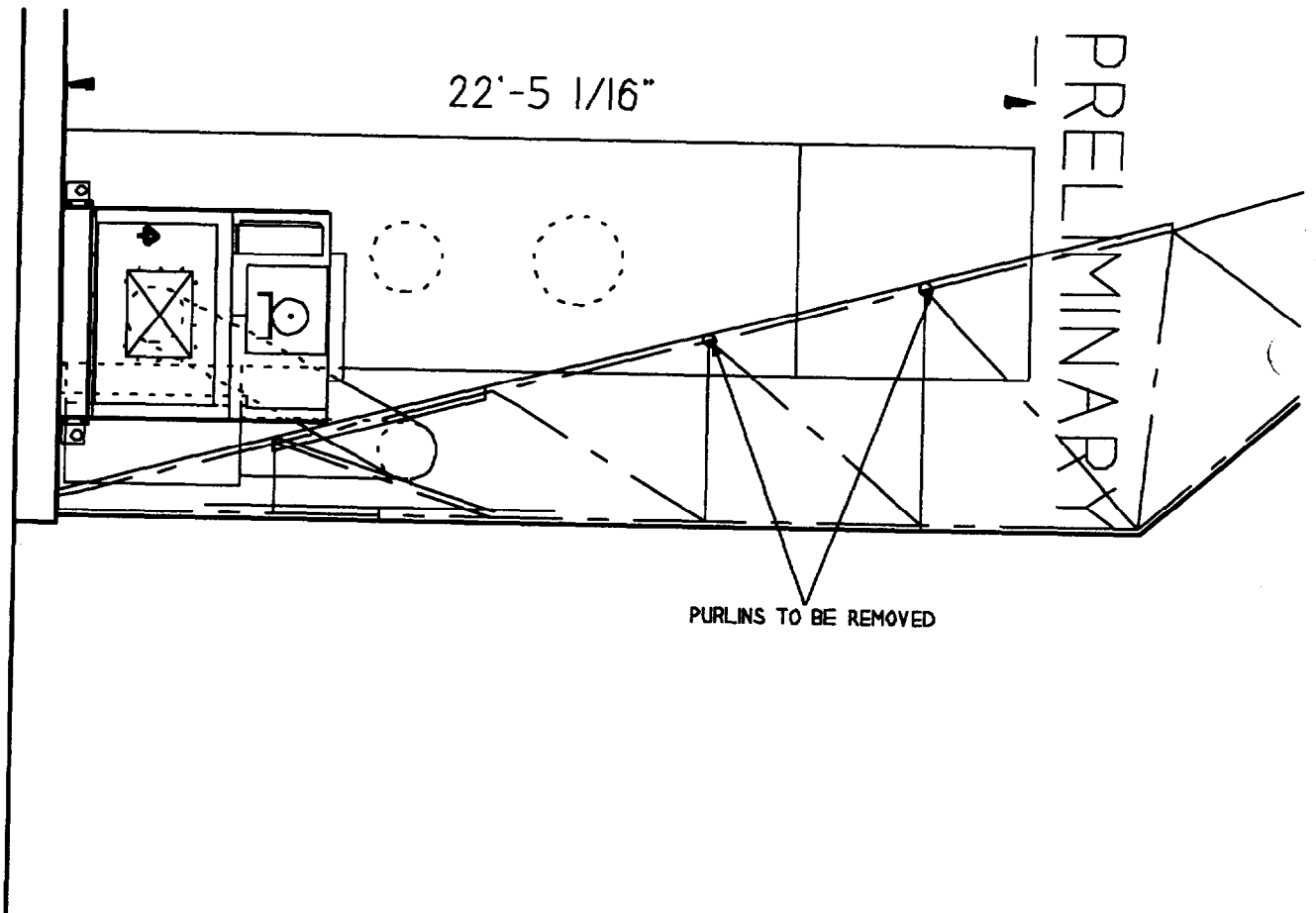
- Standard subassembly includes modulating gas valve with electric proportional valve and controller/sensor (field mounted).

Process and Reactivation Fans:

- Reactivation fan and motor are supplied per the schedule above. Fan motor to be TEFC.



NO
GABRIEL
603 944-0090



300.7.5.IFP.460.86887.XLS

STANDARD NOTES

- Std arrg manual 2position
- Alt arrg manual 2position modulating
- Mix air control temp press manual pot
- Flat bank no filter t/a perm
- V-bank no filter t/a perm
- Discharge screened on four sides
- Discharge plenum extension (uninsulated) 5 feet
- Propeller fan with 6 blades
- Painted cabinet and accessories
- Weatherproof enclosure
- High pressure regulator
- Fuel natural propane
- Burner control on-off hi-to-off modulating

SPECIAL NOTES

- STANDARD ARRANGEMENT W/ONE DAMPER (MANUAL)
- STANDARD EXHAUSTER ARRANGEMENT

SHIP LOOSE SPECIAL
GP-11 SHUT-OFF VALVE

Prepared by: R.B.
JOB86887

MODEL GHILFP-300/175

CUSTOMER ORDER #

2566-8855

TAG

MODEL

QUANTITY

INPUT BTU/HR

OUTPUT BTU/HR

BURNER MODEL

BURNER MOTOR

BURNER VOLTAGE

EXHAUSTER MODEL

EXHAUSTER FAN MOTOR

EXHAUSTER VOLTAGE

SUPPLY FAN

SUPPLY FAN TYPE

SUPPLY AIR VOLUME CFM

SUPPLY FAN RPM

APPROVAL REQUIRED

CONTROL CABINET

EXTERNAL STATIC PRESSURE

SUPPLY FAN MOTOR HP

SUPPLY FAN MOTOR TYPE

SECONDARY TUBES

TRANSFORMER

FULL LOAD AMPS

LINE VOLTAGE

CONTROL VOLTAGE

SHEET METAL SCREWS

3/16X3/4 GASKET

SILICONE

SHIP LOOSE STANDARD

GHILFP-300/175

ONE

2,187,500

1,750,000

J50A-15

.33 HP

115/1/60

18

2 HP

460/3/60

(2) 48"

PROPELLOR

49,000

749

STD FM IRI

YES

0.375" W.C.

(2) 7.5 HP

ODP

STD SS

YES

28.7

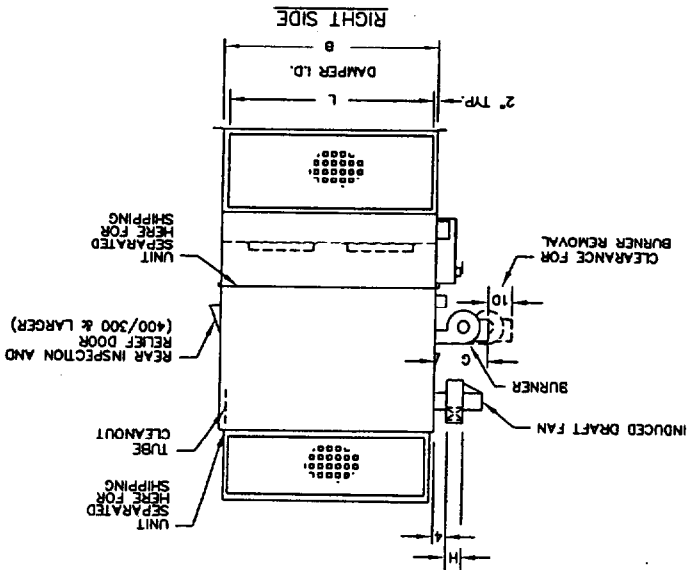
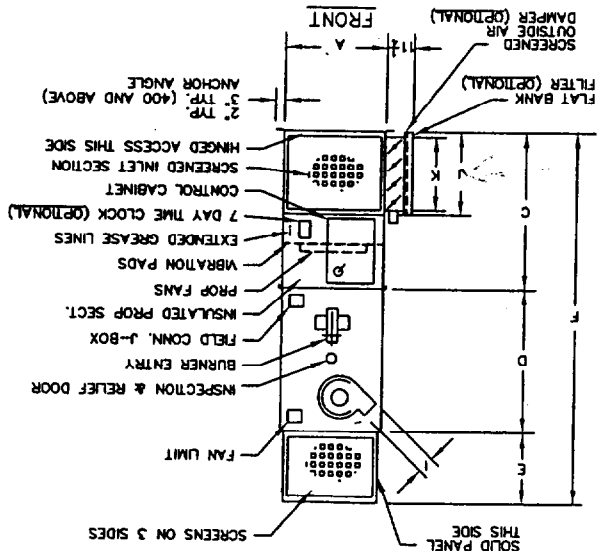
460/3/60

120/1/60

Dimensions

Basic Unit

IFP-75/40 Through IFP-600S/600



NOTE: On units 200 and above discharge section is shipped knocked down (field assembly by others).

IFP Model No.	Approx. Weight	DIMENSIONS														Filters (Qty) Size
		A	B	C	D	E	F	G	H	I	J	K	L			
75/40	2,315	80	80	72	47	30	149	17	6 1/4	6 1/4	36	32	76	76		
75/55	2,490	80	80	72	55	30	157	17	6 1/4	6 1/4	36	32	76	76		
100/55	2,910	90	90	72	55	30	157	17	7 1/4	6 1/4	36	32	86	86		
100/75	3,055	90	90	72	55	30	157	17	7 1/4	7 1/4	36	32	86	86		
125/75	3,510	100	100	62	55	30	147	17	7 1/4	30 1/2	26 1/2	96	96	96		
125/100	3,850	100	100	62	68	30	160	17	7 1/4	30 1/2	26 1/2	96	96	96		
175/75	3,615	100	100	62	55	30	147	17	7 1/4	30 1/2	26 1/2	96	96	96		
175/100	3,950	100	100	62	68	30	160	17	7 1/4	30 1/2	26 1/2	96	96	96		
200/100	4,680	120	120	78	68	48	194	17	7 1/4	44	40	116	116	116		
200/175	5,040	120	120	78	78	48	198	21	9 3/4	44	40	116	116	116		
250/100	4,825	120	120	78	68	48	194	17	7 1/4	44	40	116	116	116		
250/175	5,185	120	120	78	78	48	198	21	9 3/4	44	40	116	116	116		
300/175	6,005	140	140	84	72	48	204	21	9 3/4	52	48	136	136	136		
300/200	6,475	140	140	84	72	48	204	30	9 3/4	52	48	136	136	136		
300/250	6,840	140	140	84	72	48	204	26	11 1/4	52	48	136	136	136		
400/200	8,385	160	160	92	72	48	204	30	9 3/4	52	48	156	156	156		
400/250	8,655	160	160	92	72	48	212	26	11 1/4	52	48	156	156	156		
400/300	8,945	160	160	92	84	48	224	26	11 1/4	52	48	156	156	156		
600/300	10,745	180	180	96	84	60	240	26	11 1/4	54	50	176	176	176		
600/400	11,170	180	180	96	100	60	256	32	11 1/4	54	50	176	176	176		
600S/400	13,080	200	200	102	100	60	262	32	11 1/4	60	56	196	196	196		
600S/600	15,280	200	200	102	141	60	303	32	11 1/4	60	56	196	196	196		

Applied Air



OFF/LOW/HIGH
STANDARD-SINGLE STAGE INDIRECT FIRED

SCALE: TAG:

DESCRIPTION

REV DATE BY

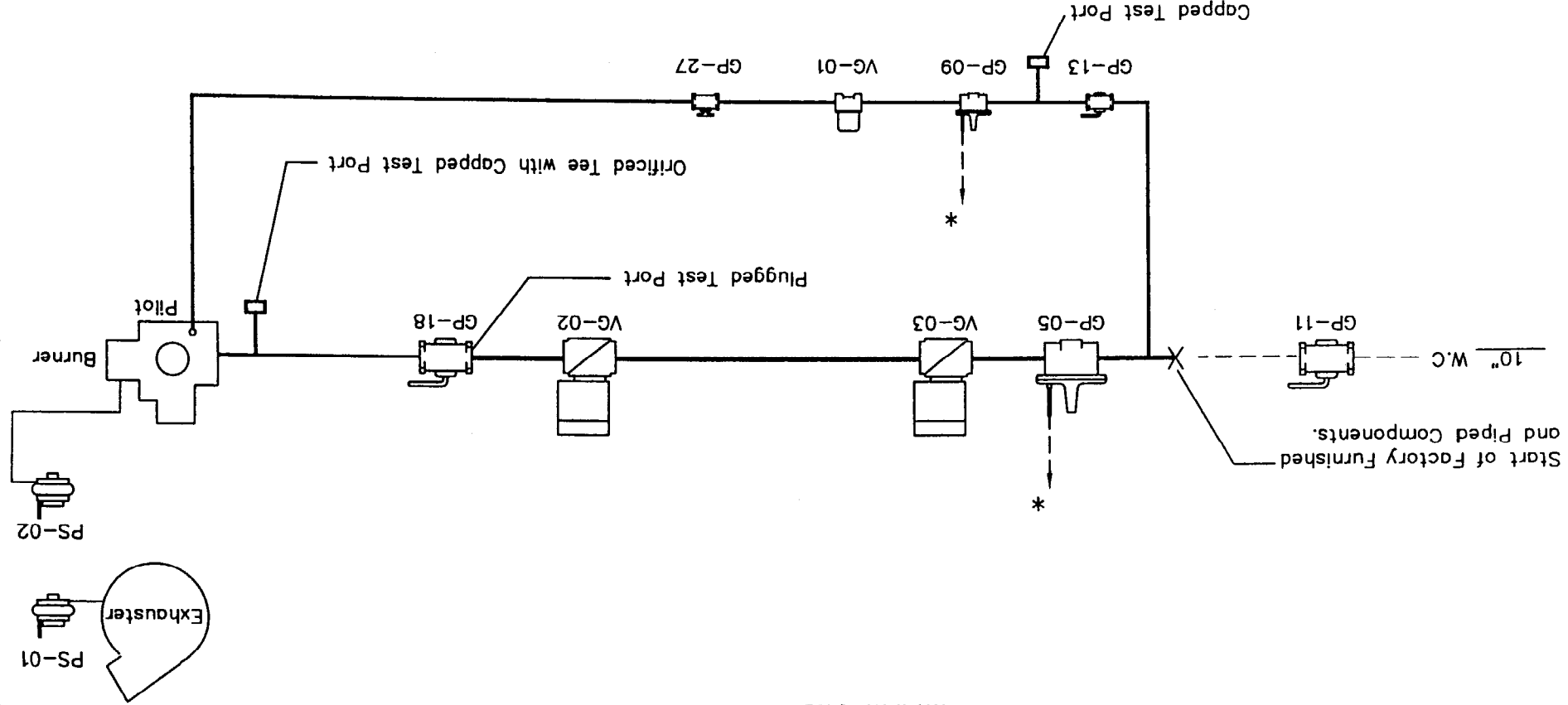
--- DENOTES PIPING BY OTHERS
* VENT LIMITING DEVICES ARE PROVIDED WHEREVER POSSIBLE, WHEN VENTING IS REQUIRED THE VENTING TO OUTSIDE IS BY OTHERS ON INDOOR UNITS.
FURNISHED BY FACTORY ON OUTDOOR UNITS.

BTU BASED ON 8" INLET NATURAL GAS

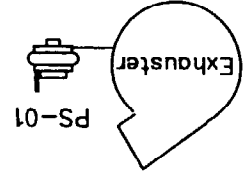
- GP-05 MAIN GAS PRESSURE REGULATOR
- GP-09 PILOT GAS PRESSURE REGULATOR
- GP-11 GAS SHUT-OFF VALVE (SHIP LOOSE)
- GP-13 PILOT GAS SHUT-OFF VALVE
- GP-18 AUXILIARY GAS SHUT-OFF VALVE
- GP-27 ORIFICED NEEDLE VALVE
- PS-02 BURNER AIR FLOW SWITCH
- PS-01 DRAFT PROVING SWITCH
- VG-01 PILOT GAS VALVE
- VG-02 MAIN GAS VALVE (3 POSITION)
- VG-03 AUXILIARY GAS VALVE

MARK	DESCRIPTION	PIPE SIZE	BTU/Hr OUTPUT
		1"	400,000 THRU 750,000
		1-1/4"	850,000 THRU 1,250,000
		1-1/2"	1,500,000 THRU 1,750,000
		2"	2,000,000

GAS PIPING - INDIRECT FIRED NOTES



MANIFOLD SKETCH



PS-02

PS-01

Exhauster

Burner

Pilot

Orificed Tee with Capped Test Port

Plugged Test Port

Capped Test Port

Start of Factory Furnished and Piped Components.

10" W.C.

GP-11

GP-13

GP-09

VG-01

GP-27

*

*

GP-05

VG-03

VG-02

GP-18